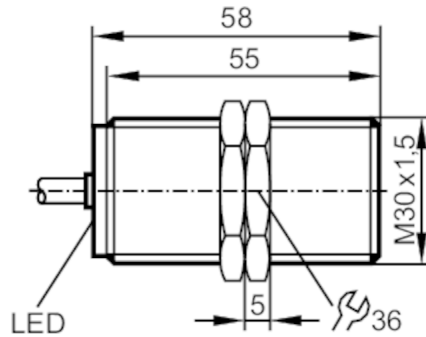


II5944



Inductive sensor

IIK3012BBPKG/0,075M/UL-100AI



Product characteristics

Electrical design		PNP
Output function		normally open
Sensing range	[mm]	12
Housing		Threaded type
Dimensions	[mm]	M30 x 1.5 / L = 58

Application

System		Increased sensing range
--------	--	-------------------------

Electrical data

Operating voltage	[V]	10...36 DC
Current consumption	[mA]	< 15
Protection class		II
Reverse polarity protection		yes

Outputs

Electrical design		PNP
Output function		normally open
Max. voltage drop switching output DC	[V]	2.5
Permanent current rating of switching output DC	[mA]	250
Switching frequency DC	[Hz]	100
Short-circuit protection		yes
Type of short-circuit protection		yes (non-latching)
Overload protection		yes

Monitoring range

Sensing range	[mm]	12
Operating distance	[mm]	0...9.72
Increased sensing range		yes

Accuracy / deviations


Correction factor		steel: 1 / stainless steel: 0.7 / brass: 0.5 / aluminum: 0.4 / copper: 0.3
Hysteresis	[% of Sr]	1...20

II5944



Inductive sensor

IIK3012BBPKG/0,075M/UL-100AI

Operating conditions		
Ambient temperature	[°C]	-40...70
Protection		IP 69K; (cable plugs: IP 68)
Tests / approvals		
EMC	Noise emission and noise interference according to the automotive directive 95/54/EC	
	noise immunity according to DIN ISO 11452-2	120 V/m
	EN 61000-4-2 ESD	4 kV CD / 8 kV AD
	EN 61000-4-3 HF radiated	10 V/m
	EN 61000-4-4 Burst	2 kV
	EN 61000-4-5 Surge	0,5 kV mains line to line
	EN 61000-4-6 HF conducted	10 V
	EN 55011 emission	class B
Shock resistance	EN 60068-2-27	150 g 11 ms half-sine; 3 shocks each in every direction along the three coordinate axes at -40 °C and 70 °C
MTTF	[years]	1588
Mechanical data		
Weight	[g]	146
Housing		Threaded type
Mounting		flush mountable
Dimensions	[mm]	M30 x 1.5 / L = 58
Thread designation		M30 x 1.5
Material		threaded sleeve: brass white bronze coated; sensing face: PBT; end cap: TPU (urethane)
Displays / operating elements		
Display	Switching status	1 x LED, yellow
Accessories		
Items supplied		lock nuts: 2
Remarks		
Pack quantity		1 pcs.
Electrical connection - plug		
Cable: 0.075 m, PUR, Ø 5.4 mm; 3 x 0.5 mm ²		
Connector: 1 x 1/2"; coding: C		
		

II5944



Inductive sensor

IIK3012BBPKG/0,075M/UL-100AI

Connection

