



- A PART OF ADDTECH GROUP

DATA SHEET

Customer:	
Ref.:	
Order:	
Motor:	
Serial nr:	
Date:	05-02-2018

ASYNCHRONOUS MOTOR 4A 90S-4

Nameplate data:

Code: 112354

Type:	4A 90S-4			IP55	F/B	Amb. temp.: Max. 45°		
kW	Hz	V	A	Rpm	Cos	Eff. 100%	Duty	IE.class
1,10	50	380-415 D	2,70	1390	0,77	76,2%	S1	IE1-(Eff2)
1,10	50	690 Y	1,57	1390	0,77	76,2%		
1,32	60	440-480 D	2,82	1668	0,77	76,2%		

Description:

Mounting form:	B3/B14
Bearing DE:	6205-2Z/C3
Bearing NDE:	6205-2Z/C3
Weight - Kg.:	12
Heater:	No Heater
PTC:	No PTC
Kgm ² :	0,0023
Sound press.-db(A):	52,0

Other:

Test data S1-duty, Amb.temp 40°C:

Voltage - V:	400
Frequency - Hz:	50
Power - kW:	1,10
Full load speed - Rpm:	1390
Full load current - A:	2,70
Full load power factor - Cos:	0,77
Locked rotor current - A:	16,2
Locked rotor factor - A _{st} /A _n :	6,0

Efficiency 100% load - %:	76,2%
Efficiency 75% load - %:	
Efficiency 50% load - %:	
Full load torque - Nm:	7,6
Locked rotor torque - Nm:	17,4
Locked rotor torque - Nm _{st} /Nm _n :	2,3
Max. Pull out torque - Nm:	17,4
Max. Pull out torque. - Nm _{st} /Nm _n :	2,3

Over load/speed test	kW	Hz	V	A	Rpm
Over load 160% - 15sec.	1,76	50	400	4,32	1390
Over speed 125% - 2 min.	1,1	63	400	2,70	1738
H-Pot test voltage: 1800V			Temp. rise in stator:		

The motor is produced in accordance with following harmonized standards:

IEC60034-1, IEC60034-2, IEC60034-5, IEC60034-6, IEC60034-7, IEC60034-8, IEC60034-9
IEC60034-12, IEC60034-14, IEC60034-30, IEC60072.

Additional specifications in accordance with:

RINA - GL - LRS - BV - DNV - ABS - KR - RR - CCS - CCC - RMRS.

Bevi Group:

BEVI AB, Sweden	www.bevi.se	sales@bevi.se	+46 499 271 00
BEVI Nord AB, Sweden	www.bevi.se	bevinord@bevi.se	+46 90 70 44 30
BEVI A/S, Denmark	www.bevi.dk	bevi@bevi.dk	+45 39 67 36 05
BEVI Norge A/S, Norway	www.bevi.no	info@bevi.no	+47 22 07 66 50
BEVI Finland OY AB, Finland	www.bevi.fi	info@bevi.fi	+358 9 2709 1210
BEVI Est Oü, Estonia	www.bevi.ee	bevi@bevi.ee	+372 6828 755
BEVI UAB, Lithuania	www.bevi.lt	info@bevi.lt	+370 5 2611 112
BEVI CHINA, China	www.bevi.cn	sales@bevi.cn	+86 21 5032 5200

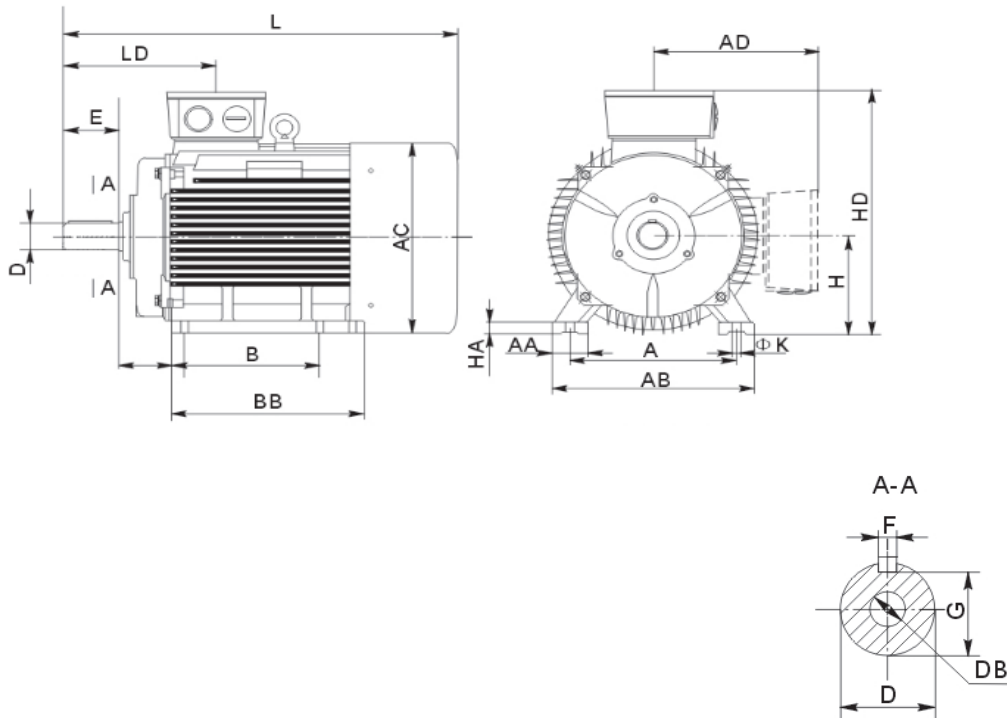


- A PART OF ADDTECH GROUP

DATA SHEET

Customer:	
Ref.:	
Order:	
Motor:	
Serial nr:	
Date:	05-02-2018

Foot mounted motor 4A 90S-4 B3



A: 140	HD: 230	E: 50
B: 100	C: 56	D: 24
AB: 180	H: 90	G: 20
AC: 195	K: 10	DB: M8
AD: 140	L: 315	F: 8
	L (V1): 365	

Bevi Group:

BEVI AB, Sweden
 BEVI Nord AB, Sweden
 BEVI A/S, Denmark
 BEVI Norge A/S, Norway
 BEVI Finland OY AB, Finland
 BEVI Est Oü, Estonia
 BEVI UAB, Lithuania
 BEVI CHINA, China

www.bevi.se
 www.bevi.se
 www.bevi.dk
 www.bevi.no
 www.bevi.fi
 www.bevi.ee
 www.bevi.lt
 www.bevi.cn

sales@bevi.se
 bevinord@bevi.se
 bevi@bevi.dk
 info@bevi.no
 info@bevi.fi
 bevi@bevi.ee
 info@bevi.lt
 sales@bevi.cn

+46 499 271 00
 +46 90 70 44 30
 +45 39 67 36 05
 +47 22 07 66 50
 +358 9 2709 1210
 +372 6828 755
 +370 5 2611 112
 +86 21 5032 5200

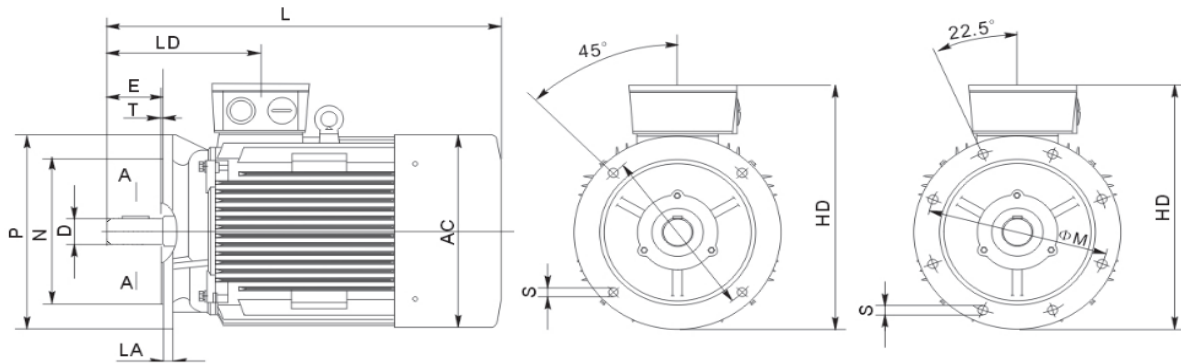


- A PART OF ADDTECH GROUP

DATA SHEET

Customer:	
Ref.:	
Order:	
Motor:	
Serial nr:	
Date:	05-02-2018

Flange mounted motor 4A 90S-4 B5 (V1)



M: 165	HD: 230	E: 50
N: 130	L: 315	D: 24
P: 200	L (V1): 365	G: 20
S: 12		DB: M8
		F: 8

Bevi Group:

BEVI AB, Sweden
 BEVI Nord AB, Sweden
 BEVI A/S, Denmark
 BEVI Norge A/S, Norway
 BEVI Finland OY AB, Finland
 BEVI Est Oü, Estonia
 BEVI UAB, Lithuania
 BEVI CHINA, China

www.bevi.se
 www.bevi.se
 www.bevi.dk
 www.bevi.no
 www.bevi.fi
 www.bevi.ee
 www.bevi.lt
 www.bevi.cn

sales@bevi.se
 bevinord@bevi.se
 bevi@bevi.dk
 info@bevi.no
 info@bevi.fi
 bevi@bevi.ee
 info@bevi.lt
 sales@bevi.cn

+46 499 271 00
 +46 90 70 44 30
 +45 39 67 36 05
 +47 22 07 66 50
 +358 9 2709 1210
 +372 6828 755
 +370 5 2611 112
 +86 21 5032 5200

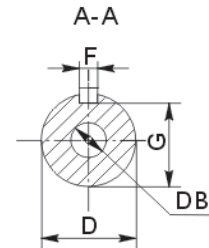
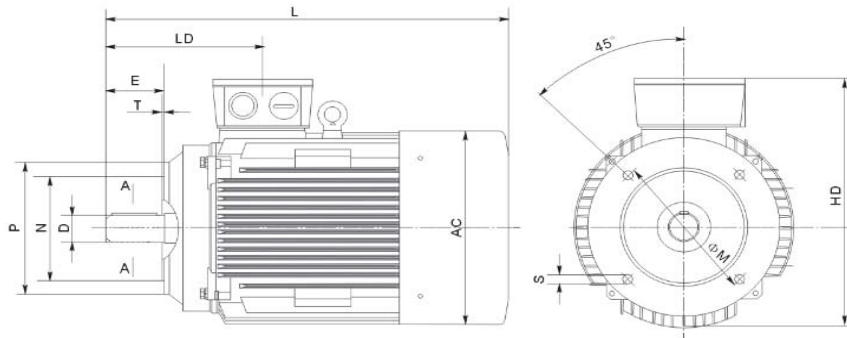


- A PART OF ADDTECH GROUP

DATA SHEET

Customer:	
Ref.:	
Order:	
Motor:	
Serial nr:	
Date:	05-02-2018

Flange mounted motor B14A & B14B



Flange type: B14A

M: 115
N: 95
P: 140
S: M8

B14B

130
110
160
M8

HD: 230
L: 315
L (V1): 365

E: 50
D: 24
G: 20
DB: M8
F: 8

Bevi Group:

BEVI AB, Sweden
BEVI Nord AB, Sweden
BEVI A/S, Denmark
BEVI Norge A/S, Norway
BEVI Finland OY AB, Finland
BEVI Est Oü, Estonia
BEVI UAB, Lithuania
BEVI CHINA, China

www.bevi.se
www.bevi.se
www.bevi.dk
www.bevi.no
www.bevi.fi
www.bevi.ee
www.bevi.lt
www.bevi.cn

sales@bevi.se
bevinord@bevi.se
bevi@bevi.dk
info@bevi.no
info@bevi.fi
bevi@bevi.ee
info@bevi.lt
sales@bevi.cn

+46 499 271 00
+46 90 70 44 30
+45 39 67 36 05
+47 22 07 66 50
+358 9 2709 1210
+372 6828 755
+370 5 2611 112
+86 21 5032 5200

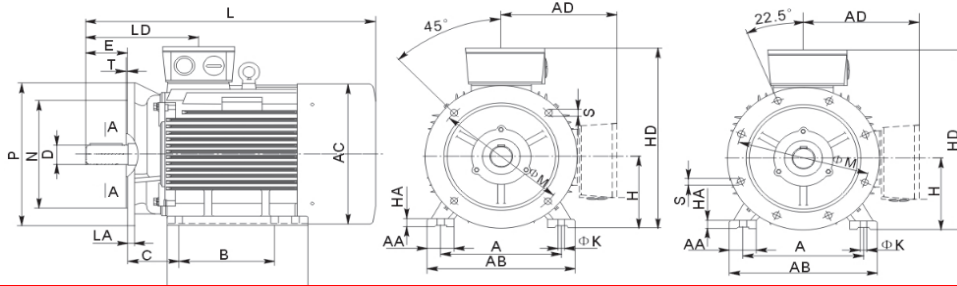


- A PART OF ADDTECH GROUP

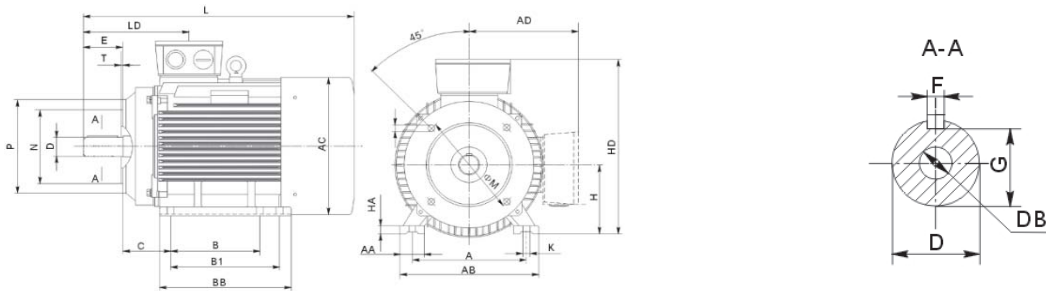
DATA SHEET

Customer:	
Ref.:	
Order:	
Motor:	
Serial nr:	
Date:	05-02-2018

**Foot & flange mounted motor
B3/B5**



B3/B14A & B3/B14B



Flange type: B5

- M: 165
- N: 130
- P: 200
- S: 12

- A: 140
- B: 100
- AB: 180
- AC: 195
- AD: 140

B14A

- M: 115
- N: 95
- P: 140
- S: M8

- HD: 230
- C: 56
- H: 90
- K: 10
- L: 315
- L (V1): 365

B14B

- M: 130
- N: 110
- P: 160
- S: M8

- E: 50
- D: 24
- G: 20
- DB: M8
- F: 8

Bevi Group:

- BEVI AB, Sweden
- BEVI Nord AB, Sweden
- BEVI A/S, Denmark
- BEVI Norge A/S, Norway
- BEVI Finland OY AB, Finland
- BEVI Est Oü, Estonia
- BEVI UAB, Lithuania
- BEVI CHINA, China

- www.bevi.se
- www.bevi.se
- www.bevi.dk
- www.bevi.no
- www.bevi.fi
- www.bevi.ee
- www.bevi.lt
- www.bevi.cn

- sales@bevi.se
- bevinord@bevi.se
- bevi@bevi.dk
- info@bevi.no
- info@bevi.fi
- bevi@bevi.ee
- info@bevi.lt
- sales@bevi.cn

- +46 499 271 00
- +46 90 70 44 30
- +45 39 67 36 05
- +47 22 07 66 50
- +358 9 2709 1210
- +372 6828 755
- +370 5 2611 112
- +86 21 5032 5200