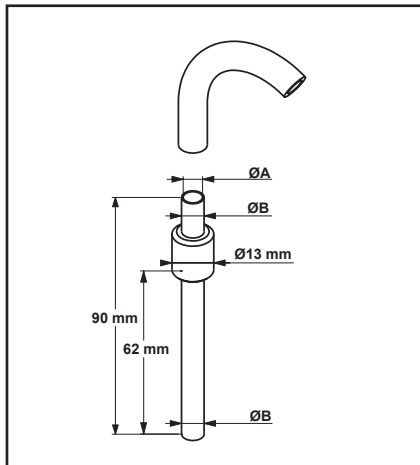


# FILLING NOZZLE

## – STAINLESS STEEL AISI316L

- Filling from 0.1 ml to 250 ml
- Fits nozzle holders for FF20, FF30, FPC50, FP50 and FMB210
- Can be applied together with gas filling nozzle 30-031-xxx



SPECIFICATIONS				
Materials	AISI 316L			
	A (ID)	B(OD)	Fill volumes from	Part number
Dimensions in mm	Ø0,6	Ø1,0	0.1 ml	30-030-006
	Ø1,0	Ø1,5	0.5 ml	30-030-010
	Ø1,6	Ø2,1	1.7 ml	30-030-016
	Ø3,2	Ø3,8	6.5 ml	30-030-032
	Ø4,5	Ø5,5	12.0 ml	30-030-045
	Ø6,0	Ø7,0	22.0 ml	30-030-060
	Ø8,0	Ø9,0	35.0 ml	30-030-080
Set of all sizes				82-100-010
Nozzle holder incl. arm for filling stand				30-700-053
Declaration of compliance - Type 2.1 acc.: DS/EN 10204				Included