

Lubrication unit MPT 4 / 8 / 12

1 Application

Lubrication unit MPT 4 / 8 / 12 is a powerful gear pump unit. It is suited for automated and extensive lubrication tasks, which have to be performed several times a day up to once a minute, at the maximum.

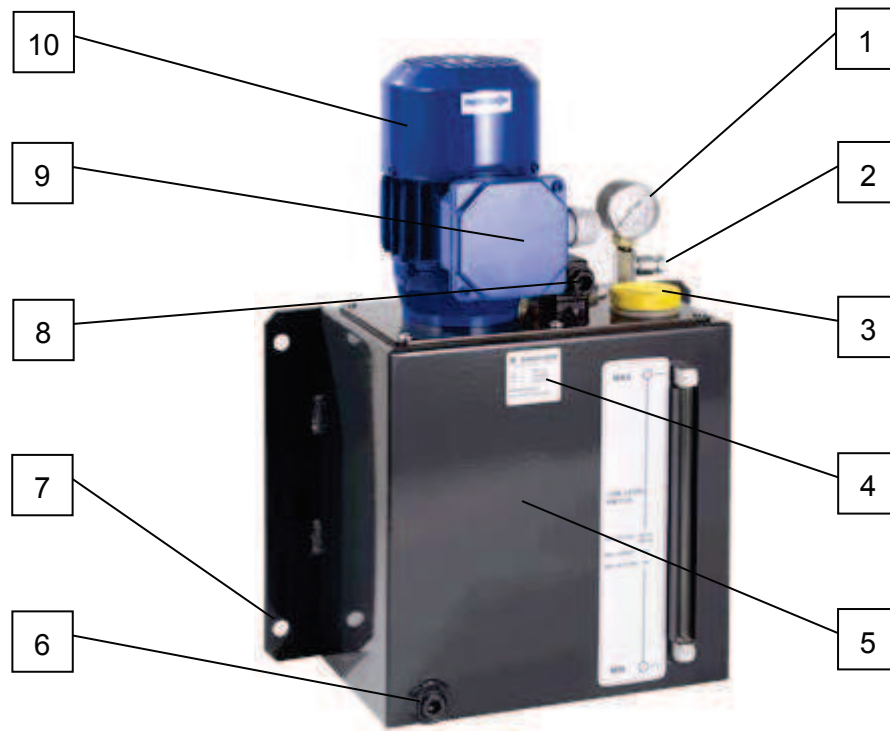


Figure 1 Overall view

- | | |
|---------------------------------------|-----------------------------|
| 1. <i>Pressure gauge</i> | 6. <i>Drain plug</i> |
| 2. <i>Lubrication line connection</i> | 7. <i>Drill hole fixing</i> |
| 3. <i>Filler cap</i> | 8. <i>Sensor connection</i> |
| 4. <i>Type plate</i> | 9. <i>Motor connection</i> |
| 5. <i>Container</i> | 10. <i>Motor</i> |

2 Version

General information

Type	Lubricating unit
Lubrication line connection	Connecting pipe Ø 6 / 8 mm, M12 x 1
Ambient temperature	0° to 40°C
Filling	manual
Weight	
MPT 4	7.3 kg
MPT 8	11.8 kg
MPT 12	14.5 kg
Container volume	
MPT 4	4.0 litres
MPT 8	8.0 litres
MPT 12	12.0 litres
Use	bielomatik single-line lubrication systems

Hydraulics

Operating pressure	50 bar
Supply volume	0.2 – 0.5 l/min
Operating medium	Mineral oil, low-viscosity grease
Range of viscosity	50 to 750 mm ² /s, NLGI 000-0*

★ according to approval list for low-viscosity grease

Drive

Type of drive	electric
Supply voltage AC	Y 380-420 / 440-480 V // Δ 220-240 / 254-280 V
Supply current	Y 0.35 A / Δ 0.60 A
Protection class as per EN60529	IP 55
Frequency	50 / 60 Hz
Power consumption	0.09 kW / 0.12 kW
Connection	Clamping rail
Speed	1680 min ⁻¹

Sensors

Level control	
Nominal voltage	24 V DC
Switching current	≤ 100 mA (≥ 5 mA)
Connection	Right-angle connector DIN 43650-A

3 Dimensions

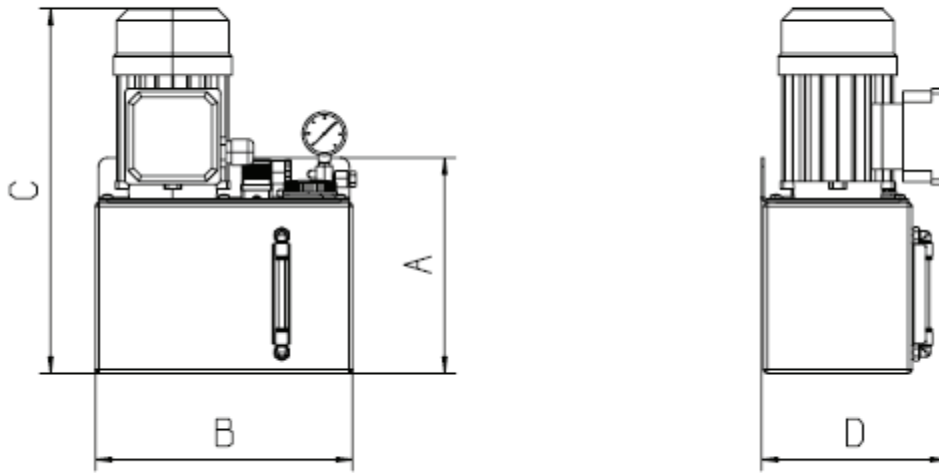


Figure 2 Dimensions MPT 4

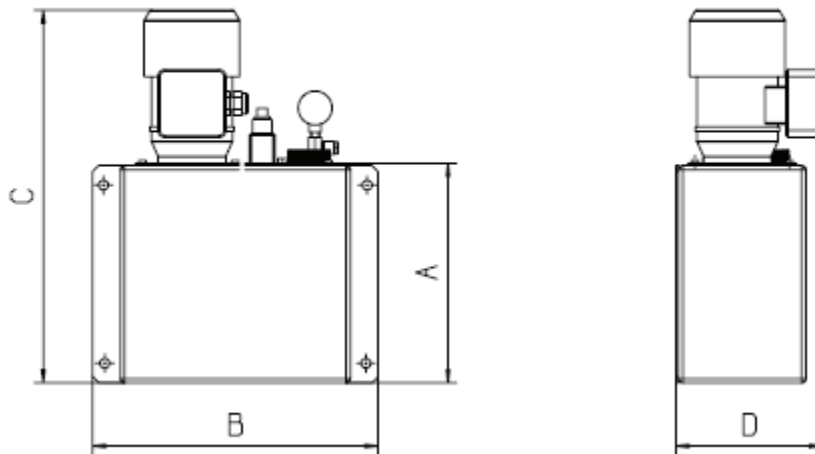


Figure 3 Dimensions MPT 8/12

Unit	Dimensions [mm]			
	A	B	C	D
MPT 4	197	234	340	168
MPT 8	254	330	430	175
MPT 12	254	358	430	210

Table 1: Dimensions

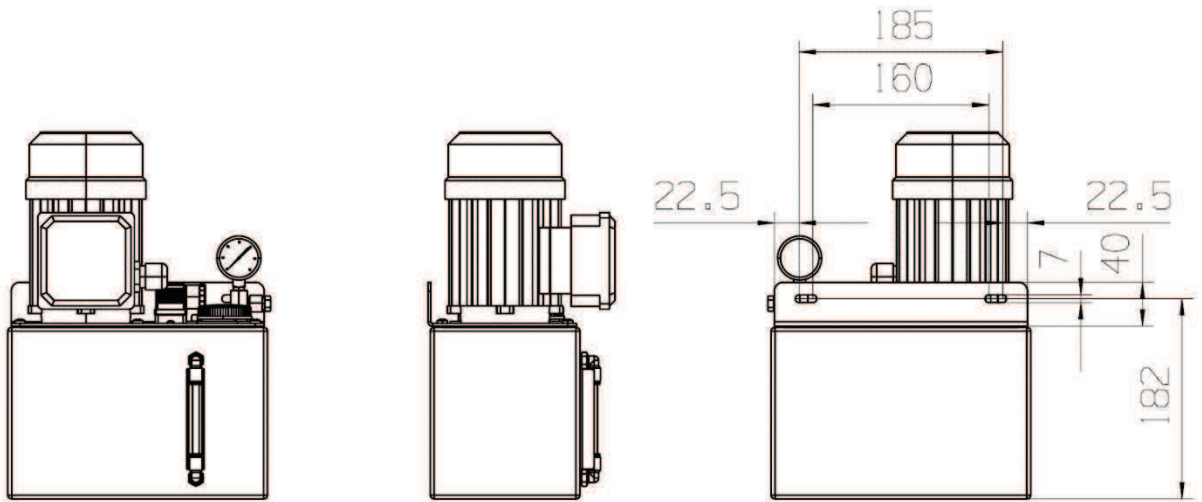


Figure 4 Drilling pattern MPT 4

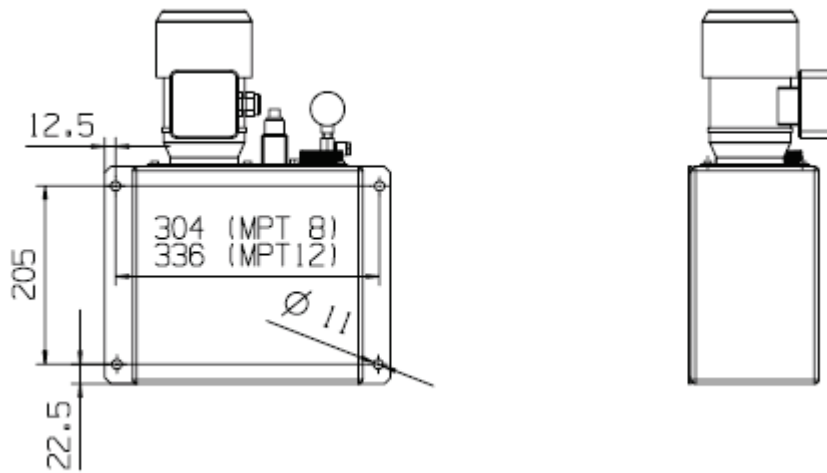


Figure 5 Drilling pattern MPT 8/12

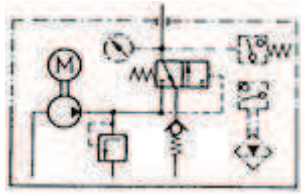


Figure 6 Fluid diagram

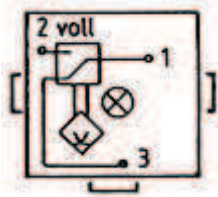
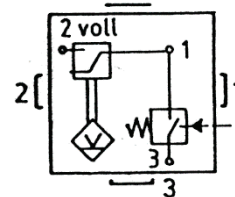


Figure 7 Pin configuration for sensors

Level control

- 1-2 opens when container empty
- 1-3 closes when container empty



Level control and pressure switch

- 1-2 opens when container empty
- 1-3 closes when pressure reached

4 Interfaces

Interface type	Interface format	Signal
Drive connection	Clamping rail	
Level control connection	Right-angle connector DIN 43650-A	24 V
Pump output	Connecting pipe Ø 6 / 8 mm, M12 x 1	Operating medium

5 Spare parts

Order number	Designation
300 27 119	Pressure gauge
300 39 660	Filler cap
300 49 232	Clamping ring Ø 6 mm
300 49 230	Clamping ring Ø 8 mm
300 49 109	Cap screw Ø 6 mm
300 49 110	Cap screw Ø 8 mm

6 Accessories

Order number	Designation
see catalogue	Polyamide pipe
see catalogue	Insert sleeve
see catalogue	Steel pipe

7 Scope of validity

Order number	Designation	Connection
300 16 920	Lubrication unit MPT 4	Ø 8 mm
300 16 921	Lubrication unit MPT 8	M12 x 1
300 16 980	Lubrication unit MPT 8	Ø 6 mm
300 16 990	Lubrication unit MPT 12	Ø 6 mm