

# TIDLAND PERFORMANCE SERIES KNIFEHOLDER

# MAXCESS®

MAGPOWR



TIDLAND



## SHEAR, CRUSH OR RAZOR SLITTING APPLICATIONS

Faster setup times, remarkably increased productivity, and unrivaled finished roll quality. Tidland's Performance Series Knifeholders deliver reliability and performance to any slitting operation – from light converting to mill-duty operations.

The Performance Series Knifeholder is available in three sizes to accommodate shear, crush or razor slitting of just about any material. These advanced knifeholders also feature a unique 180 degree reversible blade cartridge, allowing use of both sides of the anvil blade and extending blade life.

## GENERAL SPECIFICATIONS

CLASS I	CLASS II	CLASS III
MINIMUM SLIT WIDTH (FOR TYPICAL KNIFE SEQUENCE)		
25 mm (1.0 inch)	50.8 mm (2.0 inches)	76.2 mm (3.0 inches)
BLADE DIAMETER		
90 mm (3.5 inches)	150 mm (5.91 inches)	200 mm (7.87 inches)
MAXIMUM SPEED (DEPENDENT UPON MATERIAL AND APPLICATION)		
1,000 mpm 3,500 fpm	1,700 mpm 5,500 fpm	3,000 mpm 10,000 fpm

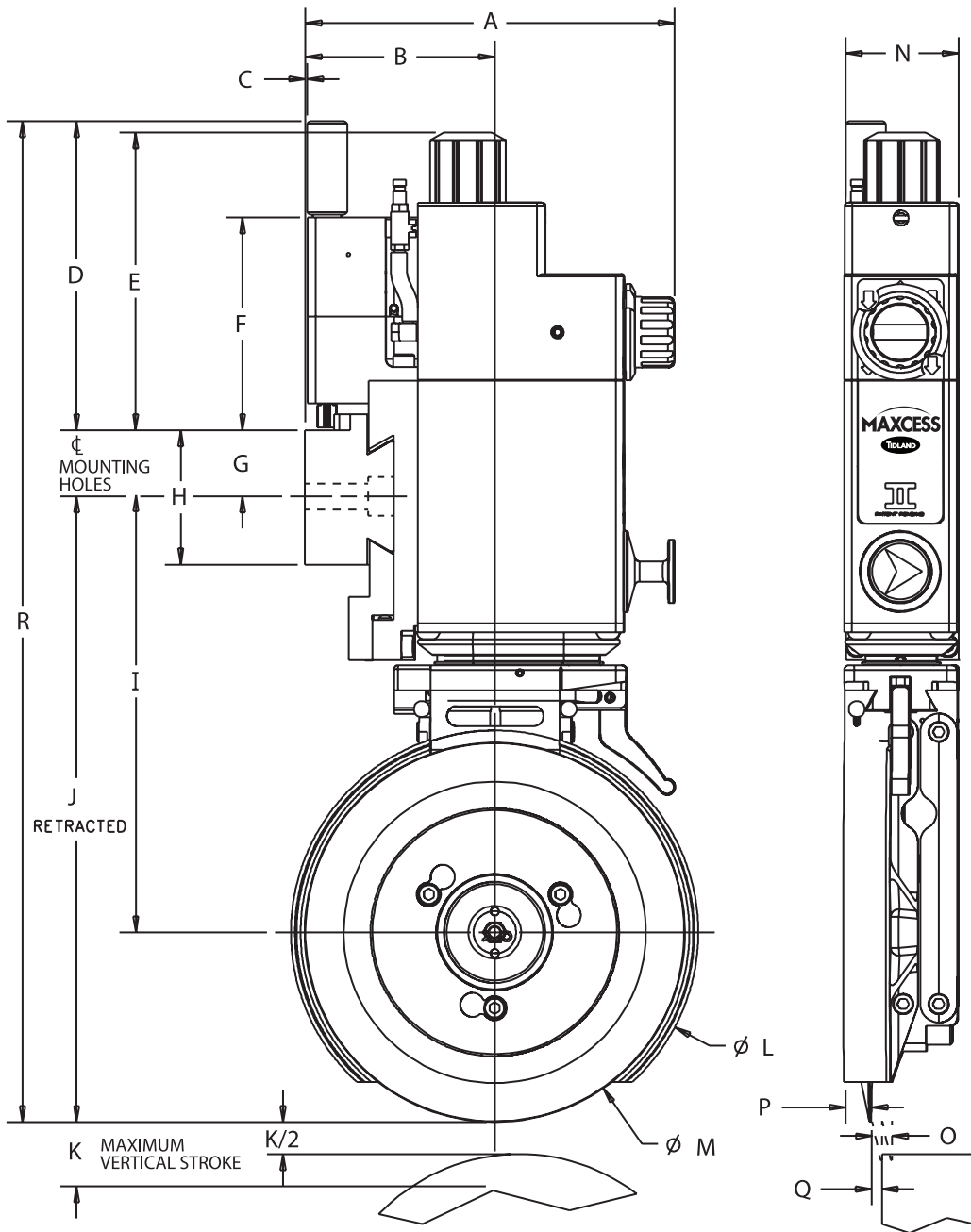
## KEY FEATURES

- Versatile, reliable knifeholders deliver unmatched performance for shear, crush or razor slitting
- Advanced 180 degree reversible blade cartridge to minimize maintenance and extend blade life
- Modular mounting options provide easy retrofit to any machine
- Operator-friendly setup features increase productivity and reduce downtime
- Durable construction to withstand harsh industrial environments
- Optional 360 degree blade guard for maximum safety

# TIDLAND KNIFEHOLDER COMPARISON

	E-KNIFEHOLDER	AUTOMATIC PERFORMANCE SERIES KNIFEHOLDER	MANUAL PERFORMANCE SERIES KNIFEHOLDER	UNIBODY KNIFEHOLDER
				
	UNIBODY KNIFEHOLDER	MANUAL PERFORMANCE SERIES KNIFEHOLDER	AUTOMATIC PERFORMANCE SERIES KNIFEHOLDER	E-KNIFEHOLDER
Air purged, dust proof design	X	X	X	X
Blade guard attachment for improved safety	X	X	X	X
Calibrated depth knob for precise blade overlap adjustment	X	X	X	N/A
Toolless cant-angle selection		X	X	X
Reversible, removable blade cartridge		X	X	X
<i>Easy Glider</i> option improves the ease of knifeholder positioning		X	X	X
Pneumatic lock mount with pinion and traverse knob		X	X	N/A
No external hoses between components for faster cartridge reversal			X	X
Automatic half-stroke reduces operator error			X	X
Optional automatic 360 degree blade guard			X	X
Automatic side load force and blade overlap calibration				X
Programmable depth control				X

# NOMENCLATURE AND DIMENSIONS



Drawing depicts Automatic Model with Swing Cartridge

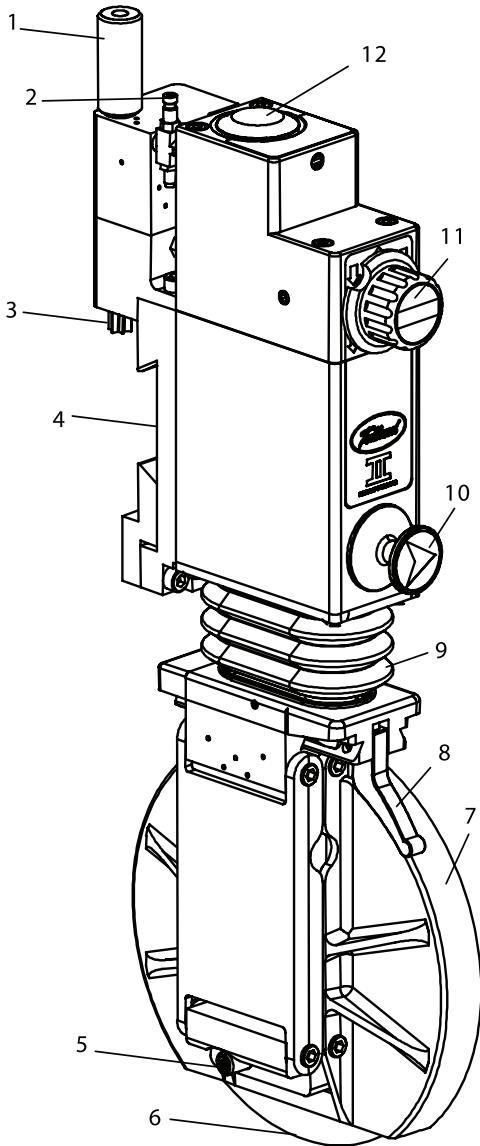
NOTE: Dimensions are nominal and represent the average of assembled units.

MM	A	B	C	D	E	F	G	H	I	J	K	L	M	N	O	P	Q	R
Class I	120.5	62.4	1.4	97.9	91.7	73.4	26.4	46.8	123.2	168.1	16.0	100	90	24.0	3.0	4.8	1.3	292.4
Class II	145.3	75	0.7	115.5	112	82.9	32.5	59.5	172.3	247.4	25.4	161	150	44.5	4.1	9.6	2.0	395.4
Class III	164.3	87.9	1.0	120	115.7	77.5	32.5	59.5	196.9	296.9	25.4	212	200	70.0	6.1	19.7	3.0	449.5

INCHES	A	B	C	D	E	F	G	H	I	J	K	L	M	N	O	P	Q	R
Class I	4.74	2.46	0.05	3.86	3.61	2.89	1.04	1.84	4.85	6.62	0.63	3.92	3.54	0.945	0.12	0.189	0.05	11.51
Class II	5.72	2.95	0.03	4.55	4.41	3.26	1.28	2.34	6.79	9.74	1.00	6.33	5.91	1.75	0.16	0.38	0.08	15.57
Class III	6.47	3.46	0.04	4.73	4.56	3.05	1.28	2.34	7.75	11.69	1.00	8.35	7.87	2.76	0.24	0.77	0.12	17.70

# TIDLAND PERFORMANCE SERIES KNIFEHOLDER

## NOMENCLATURE



CLASS I	CLASS II	CLASS III
Light Converting, Flexible Packaging, Finished Product Converters	Mainstream Converting	Mills
TYPICAL MATERIALS		
Paper, Films, Coated Papers, Foil-Covered Papers, Film-Paper Laminates, Co-extruded Films, Polypropylenes	Paper, Coated Papers, Foils, Fine Printing Papers, Chrome-Coated, Poly-Coated, Paperboard, Nonwovens, All Films	Coated & Non-Coated Papers, Tissues, Newsprint, Kraft Papers, Chipboard, Roofing Felt, Floor Covering, Fiberglass
TYPE OF SLITTING		
Shear, Crush/Score, Razor		
CARTRIDGE TYPE		
Swing, Crush/Score, Razor		
MINIMUM SLIT WIDTH (FOR TYPICAL KNIFE SEQUENCE)		
25 mm (1.0 inch)	50.8 mm (2.0 inches)	76.2 mm (3.0 inches)
BLADE DIAMETER		
90 mm (3.5 inches)	150 mm (5.91 inches)	200 mm (7.87 inches)
MAXIMUM SPEED (DEPENDENT UPON MATERIAL/APPLICATION)		
1,000 mpm	1,700 mpm	3,000 mpm
3,500 fpm	5,500 fpm	10,000 fpm
MODELS AVAILABLE		
Manual	Manual	Manual
Automatic	Automatic	Automatic

### Knifeholder Mount

(Automatic model shown)

1. Traverse Knob/Pneumatic Lock
2. Barbed Slip-On Fitting
3. Pinion Gear
4. Dovetail Guide Bar Mount

### Control Body

8. Cartridge Release Lever
9. Bellows
10. Cant Angle Key
11. Function Control Knob
12. Depth Adjustment Knob

### Blade Cartridge

5. Blade Lock
6. Knife Blade
7. Blade Guard

# MAXCESS®



### NORTH, CENTRAL AND SOUTH AMERICA

Tel +1.360.834.2345  
Fax +1.360.834.5865  
sales@maxcessintl.com  
www.maxcessintl.com

### INDIA

Tel +91.22.27602633  
Fax +91.22.27602634  
india@maxcessintl.com  
www.maxcess.in

### EUROPE, MIDDLE EAST AND AFRICA

Tel +49.6195.7002.0  
Fax +49.6195.7002.933  
sales@maxcess.eu  
www.maxcess.eu

### JAPAN

Tel +81.43.421.1622  
Fax +81.43.421.2895  
japan@maxcessintl.com  
www.maxcess.jp

### CHINA

Tel +86.756.881.9398  
Fax +86.756.881.9393  
info@maxcessintl.com.cn  
www.maxcessintl.com.cn

### KOREA, TAIWAN AND SE ASIA

Tel +65.9620.3883  
Fax +65.6235.4818  
asia@maxcessintl.com