

SCHEDA TECNICA	TECHNICAL DATA SHEET	DATENBLATT	FICHE TECHNIQUE	FICHA TÉCNICA	S/N: _____
TRANSMITTER		RECEIVER			Activ. code: _____
TYPE: LA0AM MODEL: A08		TYPE: FA00M MODEL: RPD			Manuf. date: _____

ITALIANO _____ ENGLISH _____ DEUTSCH _____ FRANÇAIS _____ ESPAÑOL _____

MACCHINA DOVE
VIENE INSTALLATO
IL RADIOCOMANDO

TYPE OF MACHINERY
WHERE THE RADIO
REMOTE CONTROL IS
INSTALLED

MASCHINE WO DIE
FUNKFERNSTEUERUNG
INSTALLIERT WIRD

MACHINE OU LA
RADIOCOMMANDE
EST MONTEE

MÁQUINA EN LA CUAL SE
INSTALA EL
RADIOMANDO

..... (Tipo - Type - Typ - Type - Tipo) (Modello - Model - Ausführung - Modèle - Modelo)
..... (Versione - Version - Version - Version - Versión) (Matricola Nr. - Serial No. - Seriennummer - N. de série - N. de serie)

CAVO MULTIPLO DI
COLLEGAMENTO

MULTIPLE
CONNECTION CABLE

MEHRPOLIGES
VERBINDUNGSKABEL

CÂBLE MULTIPLE DE
CONNEXION

CABLE MÚLTIPLE DE
CONEXIÓN

..... (Lunghezza - Length - Länge - Longueur - Longitud) (Conduttori n. - Conductors nr. - Zuleitung - N. conducteurs - Conductores nº)
..... (Sezione - Section - ø Einzelkabel - Section - Sección) (Tipo di spina - Type of plug - Steckertyp - Type de fiche - Tipo de clavija)
..... (Corrente massima - Max. current - Max. Strom - Courant maximum - Corriente máxima)	

DICHIARAZIONE
DI INSTALLAZIONE

INSTALLER
DECLARATION

INSTALLATIONS-
ERKLÄRUNG

ATTESTATION
D' INSTALLATION

DECLARACIÓN DE
INSTALACIÓN

Dichiaro di aver verificato il corretto funzionamento del sistema ed in particolare dello **STOP**.

Dichiaro inoltre che il collegamento è stato eseguito nel rispetto delle norme vigenti ed è corrispondente allo schema riportato all'interno della presente scheda tecnica.

I hereby state that I have checked the system and in particular I checked that the **STOP** works properly.

I also state that the system has been cabled in compliance with the relevant standards in force and reflects the wiring diagram given in this technical data sheet.

Ich erkläre hiermit, daß ich den korrekten Betrieb vom System und besonders vom **STOP** überprüft habe.

Außerdem erkläre ich, daß die Verbindung den geltenden Vorschriften gemäß ausgeführt worden ist und daß sie mit dem vorliegenden Schaltplan für den Anschluß des Empfängers an die Maschine übereinstimmt.

Je certifie d'avoir vérifié le fonctionnement correct du système et particulièrement du **STOP**.

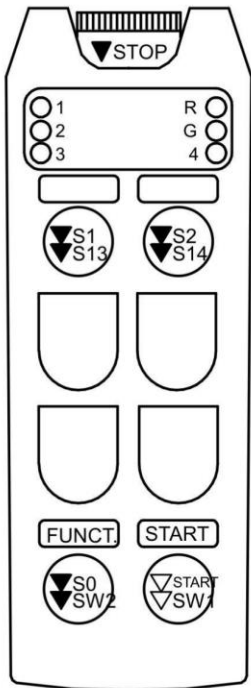
Je certifie aussi que le branchement a été effectué conformément aux normes en vigueur et qu'il est correspondant au schéma contenu dans cette fiche technique.

Declaro de haber comprobado el correcto funcionamiento del sistema y, concretamente, del **STOP**.

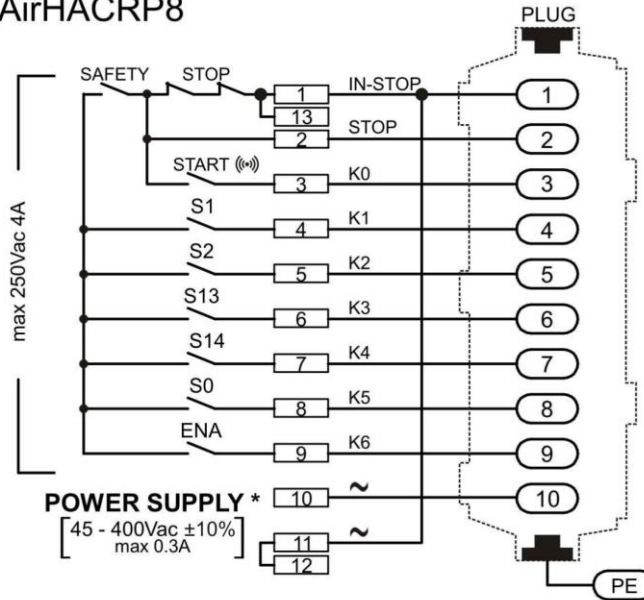
Asimismo, declaro que la conexión se ha efectuado según las normas vigentes y que está conforme con el esquema ilustrado en la presente ficha técnica.

..... (Data di installazione) (Installation date) (Datum der Installation) (Date d'installation) (Fecha de instalación)	Timbro Installatore - Installer's stamp - Stempel des Installateurs Timbre de l'installateur - Cachet de l'installateur (Firma dell'installatore) (Installer's signature) (Unterschrift des Installateurs) (Signature de l'installateur) (Firma del instalador)
--	---	--

Air A4



AirHACRP8



* Se POWER SUPPLY è collegato a IN-STOP, la tensione massima applicabile è 250Vac
If the POWER SUPPLY is connected to IN-STOP, the maximum switching voltage is 250Vac

FACTORY SETTINGS

FUNCTION	<input checked="" type="checkbox"/> P1	<input type="checkbox"/> P2A <input type="checkbox"/> P2B	<input type="checkbox"/> P3	<input type="checkbox"/> P4
KEY ID	<input type="checkbox"/> 0-1	<input checked="" type="checkbox"/> Internal		
PIN Start UP	<input checked="" type="checkbox"/> ENABLE <input type="checkbox"/> DISABLE			
PIN CODE	1 START	2 S0	3 START	
Switch-OFF	<input type="checkbox"/> OFF	<input type="checkbox"/> 2'	<input checked="" type="checkbox"/> 5'	<input type="checkbox"/> 10'
RF Power	<input type="checkbox"/> Low	<input checked="" type="checkbox"/> Norm.	<input type="checkbox"/> High	<input type="checkbox"/> Max
Range limiting	<input checked="" type="checkbox"/> OFF	<input type="checkbox"/> Area1	<input type="checkbox"/> Area2	<input type="checkbox"/> Area3
Low pwr start-up	<input checked="" type="checkbox"/> OFF	<input type="checkbox"/> Sect.1	<input type="checkbox"/> Sect.2	<input type="checkbox"/> Sect.3
Clear Ch. Level	<input checked="" type="checkbox"/> Norm.	<input type="checkbox"/> High	<input type="checkbox"/> None	
Receiver antenna	<input type="checkbox"/> ENABLE <input checked="" type="checkbox"/> DISABLE			
Dip switch	Transmitting Unit		Receiving Unit	
	1	2	1	2
<input checked="" type="checkbox"/> ON	915-928Mhz	KEY ID	915-928Mhz	MSC
<input type="checkbox"/> OFF	433-434Mhz	PAIR	433-434Mhz	Disable
Radio mode	<input checked="" type="checkbox"/> AUTO <input type="checkbox"/> MANUAL			
Bank Group	<input checked="" type="checkbox"/> 0	<input type="checkbox"/> 1	<input type="checkbox"/> 2	<input type="checkbox"/> 3
Channel Bank	<input checked="" type="checkbox"/> 0	<input type="checkbox"/> 1	<input type="checkbox"/> 2	<input type="checkbox"/> 3
Logic Channel	<input checked="" type="checkbox"/> 0	<input type="checkbox"/> 1	<input type="checkbox"/> 2	<input type="checkbox"/> 3
Button delay	<input checked="" type="checkbox"/> OFF	<input type="checkbox"/> 0.5S	<input type="checkbox"/> 1S	<input type="checkbox"/> 1.5S
All latched relay	<input type="checkbox"/> ENABLE <input checked="" type="checkbox"/> DISABLE			
Data Log Manag.	<input type="checkbox"/> ON <input checked="" type="checkbox"/> OFF			
Service Control	<input checked="" type="checkbox"/> ON <input type="checkbox"/> OFF			
CANopen	<input type="checkbox"/> ON <input checked="" type="checkbox"/> OFF			
Output config.	<input checked="" type="checkbox"/> ENABLE <input type="checkbox"/> DISABLE			

DIGITAL COMANDS CONTROLLED AT START-UP

S0	S1	S2	S3	S4	S5	S6	S7	S8	S9	S10	S11	S12	S13	S14	S15
<input checked="" type="checkbox"/>	<input checked="" type="checkbox"/>	<input checked="" type="checkbox"/>	<input checked="" type="checkbox"/>	<input checked="" type="checkbox"/>	<input checked="" type="checkbox"/>	<input checked="" type="checkbox"/>	<input checked="" type="checkbox"/>	<input checked="" type="checkbox"/>	<input checked="" type="checkbox"/>	<input checked="" type="checkbox"/>	<input checked="" type="checkbox"/>	<input checked="" type="checkbox"/>	<input checked="" type="checkbox"/>	<input checked="" type="checkbox"/>	<input checked="" type="checkbox"/>
S16	S17	S18	S19	S20	S21	S22	S23	S24	S25	S26	S27	S28	S29	S30	S31
<input type="checkbox"/>	<input type="checkbox"/>	<input type="checkbox"/>	<input type="checkbox"/>	<input type="checkbox"/>	<input type="checkbox"/>	<input type="checkbox"/>	<input type="checkbox"/>	<input type="checkbox"/>	<input type="checkbox"/>	<input type="checkbox"/>	<input type="checkbox"/>	<input type="checkbox"/>	<input type="checkbox"/>	<input checked="" type="checkbox"/>	<input checked="" type="checkbox"/>
S32	S33	S34	S35	S36	S37	S38	S39	S40	S41	S42	S43	S44			
<input type="checkbox"/>	<input type="checkbox"/>	<input type="checkbox"/>	<input type="checkbox"/>	<input type="checkbox"/>	<input type="checkbox"/>	<input type="checkbox"/>	<input type="checkbox"/>	<input type="checkbox"/>	<input type="checkbox"/>	<input type="checkbox"/>	<input type="checkbox"/>	<input type="checkbox"/>			

ANALOGIC COMANDS CONTROLLED AT START-UP

A1	A2	A3	A4	A5	A6
<input checked="" type="checkbox"/>	<input checked="" type="checkbox"/>	<input checked="" type="checkbox"/>	<input checked="" type="checkbox"/>	<input checked="" type="checkbox"/>	<input checked="" type="checkbox"/>

PROGRAMMING FILES

Ladder: LD00440

OTHER OPTIONS

Charger plug Enable Address storage disable One to one selection

INSTALLER SETTINGS

