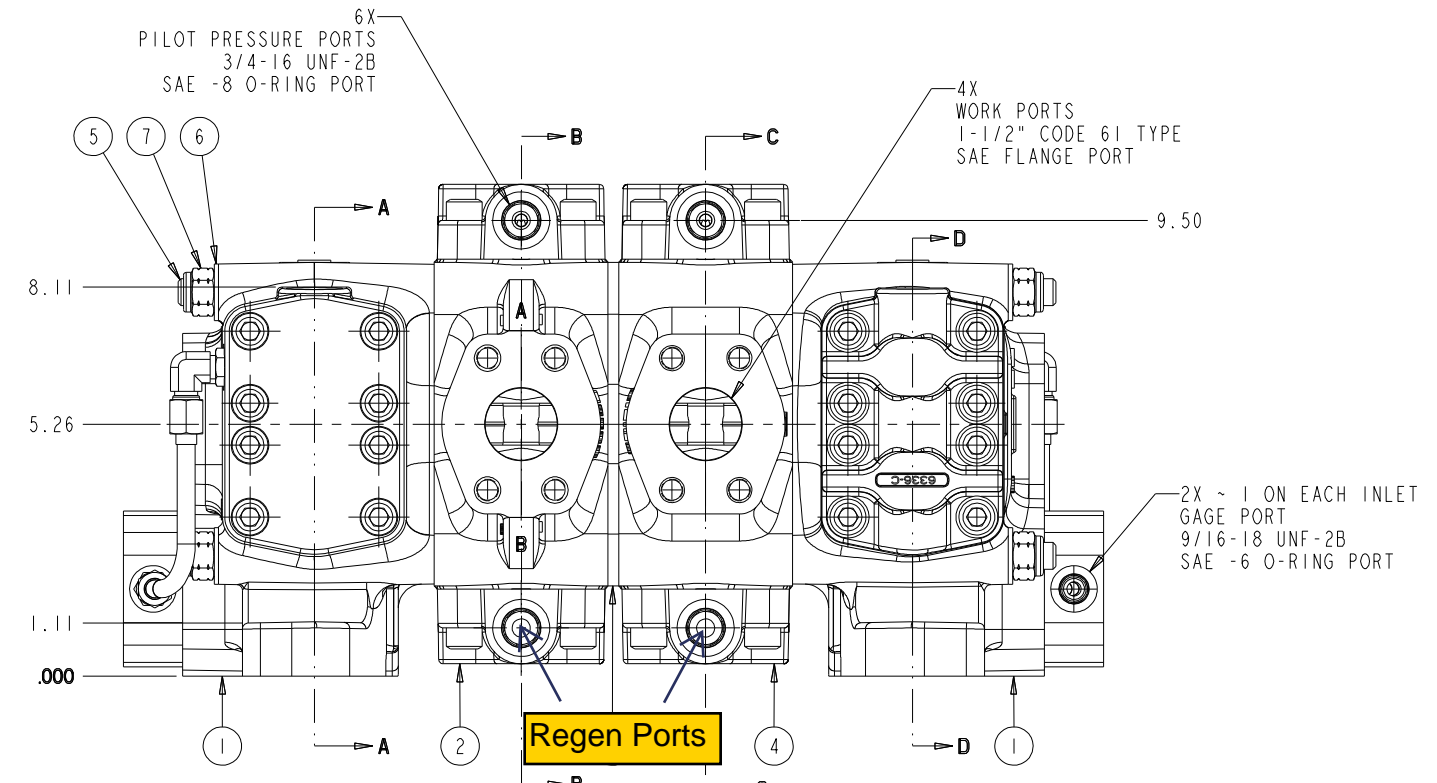
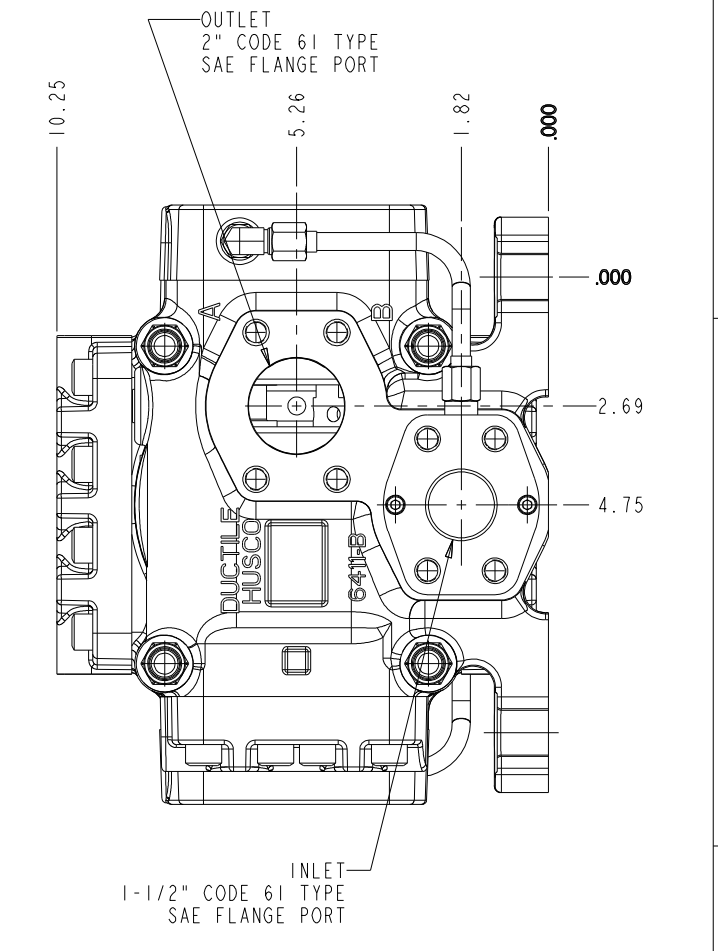
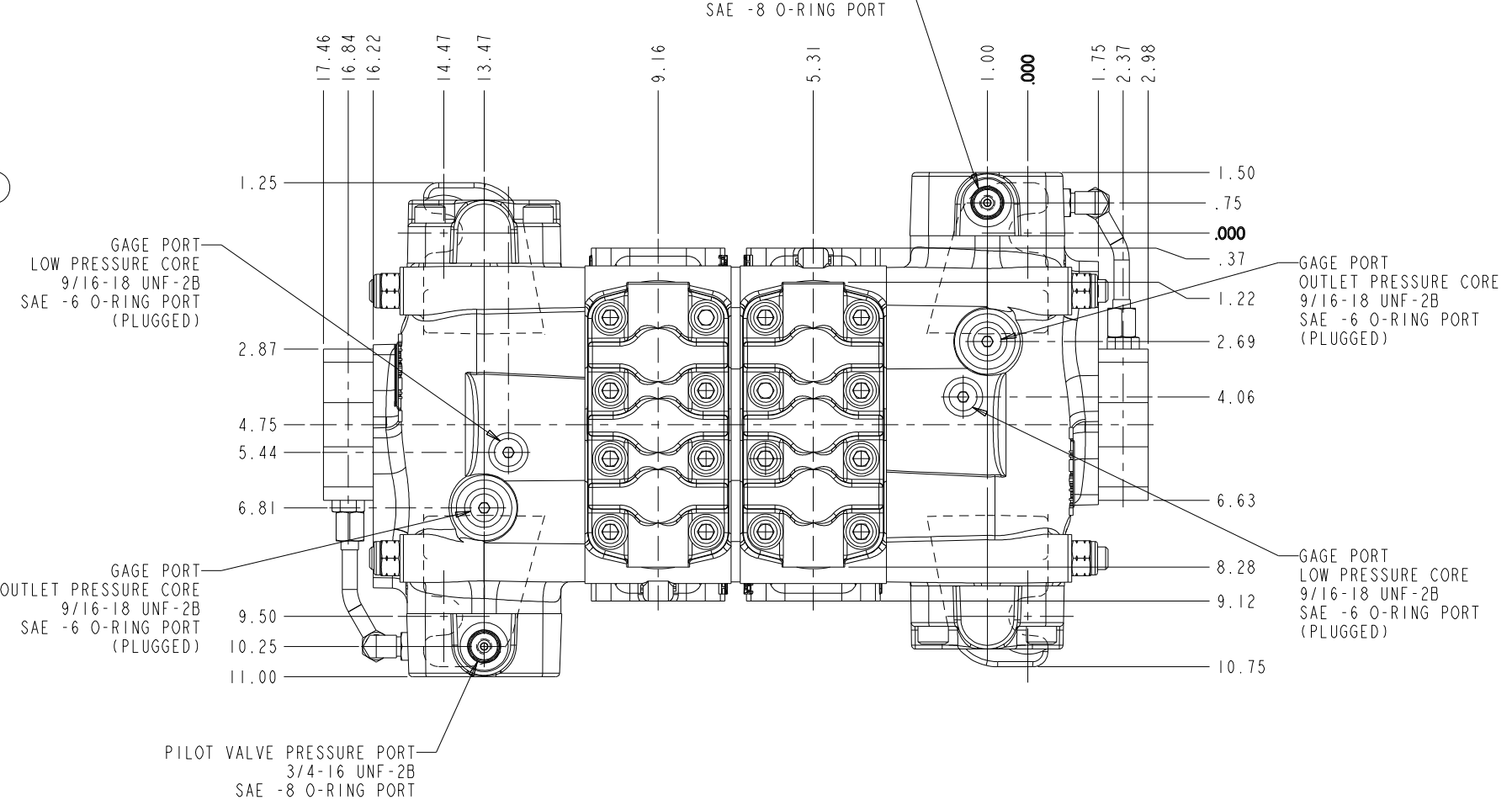
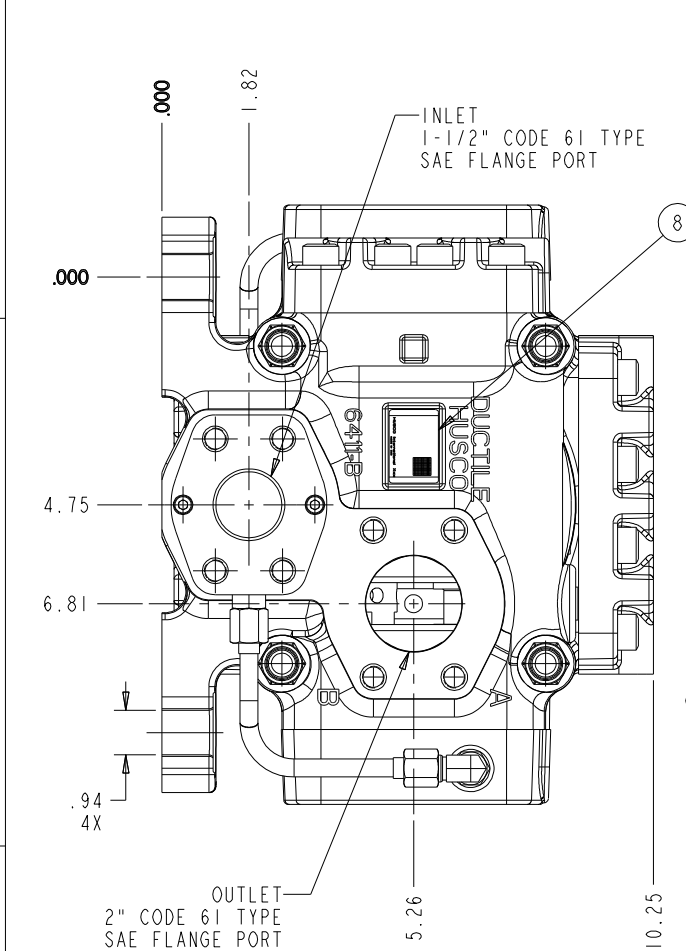


1. LUB SEALS PER HUSCO SPEC. 851-101
2. STAMP NAMEPLATE PER HUSCO SPEC. 852-310
3. PREPARE FOR SHIPMENT PER HUSCO SPEC. 853-105

J02

NOTICE: INFORMATION HEREIN PRESENTED IS CONFIDENTIAL PROPRIETARY INFORMATION OF HUSCO. ANY PERSON ACCEPTING THIS INFORMATION IS REQUIRED TO ACCEPT THE SAME IN CONFIDENCE. TO AGREE TO MAKE NO DISCLOSURE, USE, OR DUPLICATION THEREOF EXCEPT AS AUTHORIZED BY HUSCO AND TO RETURN THE SAME ON REQUEST.

REV	ECN No.	DATE	NAME/CHGR
H02	43475	15AUG11	SUR/EDM
J02	NOW PRO/E 51941	26DEC18	PPL/ABW



THIS VALVE CONTAINS ALL VITON O-RINGS

- 52407 - MINOR REPAIR KIT
- 52408 - MAJOR REPAIR KIT

VALVE RATING :  
 PART NO. :  
 OPERATING PRESS. : 3000 PSI  
 OPERATING TEMP. : -20°F TO +200°F  
 OIL TYPE : TEXACO RANDO TYPE 3  
 PUMP OUTPUT : 130 GPM TO EACH INLET

- HUSCO TEST SPECIFICATIONS:**
- 1) TEST WITH PETROLEUM BASED  
SAE 10W HYD. OIL @ 110 ± 10°F (129 SSU)
  - 2) MAIN RELIEF VALVE TO BE SET AT  
3250 ± 25 PSI @ 70 GPM
  - 3) LEAKAGE RATES TO BE TESTED AT 1000 PSI:  
A. ALL PORTS EXCEPT HOIST ROD: 9 CIPM MAX.  
B. HOIST ROD: 11 CIPM MAX.
  - 4) SPECIAL SPECIFICATION: SEE TP-1002 & T-1258

MASS = 276.31 LBS. (125.33 Kg.)  
 TOTAL SURFACE AREA = 28226.29 CM<sup>2</sup>

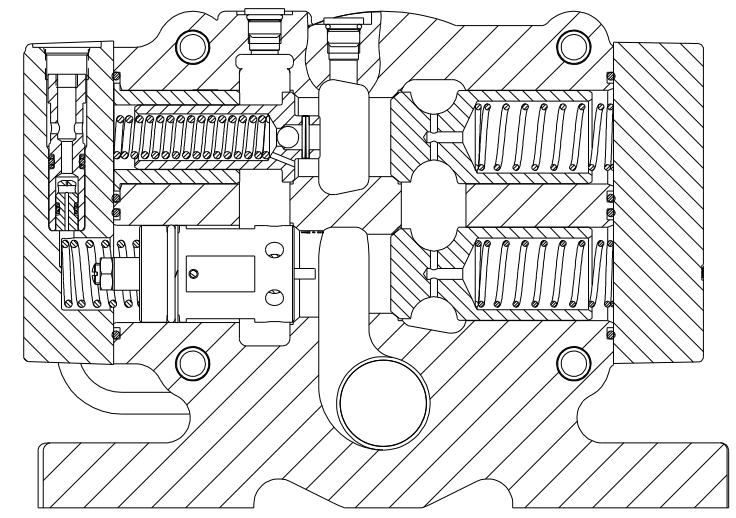
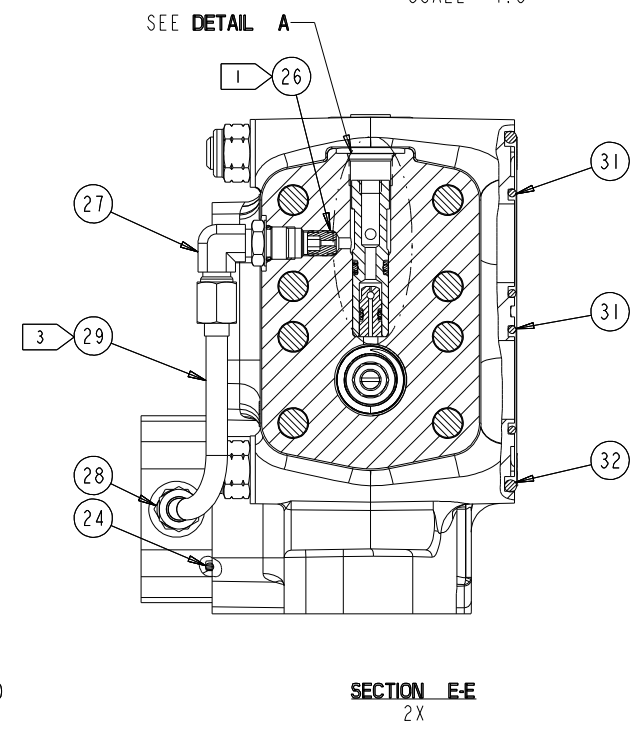
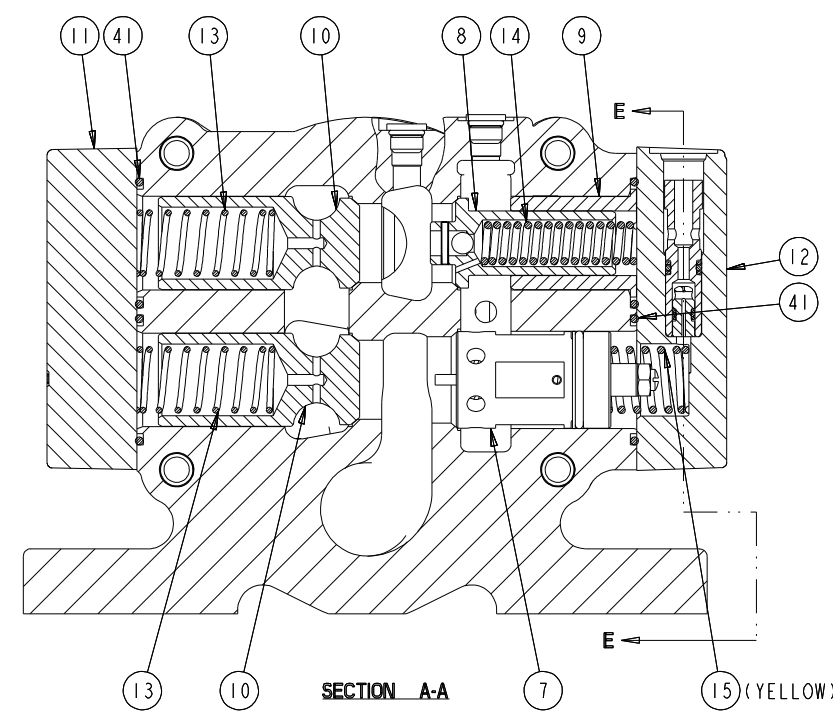
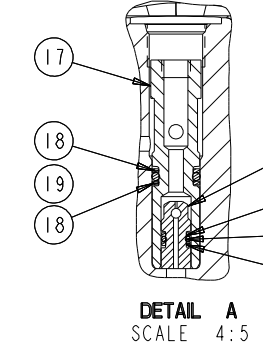
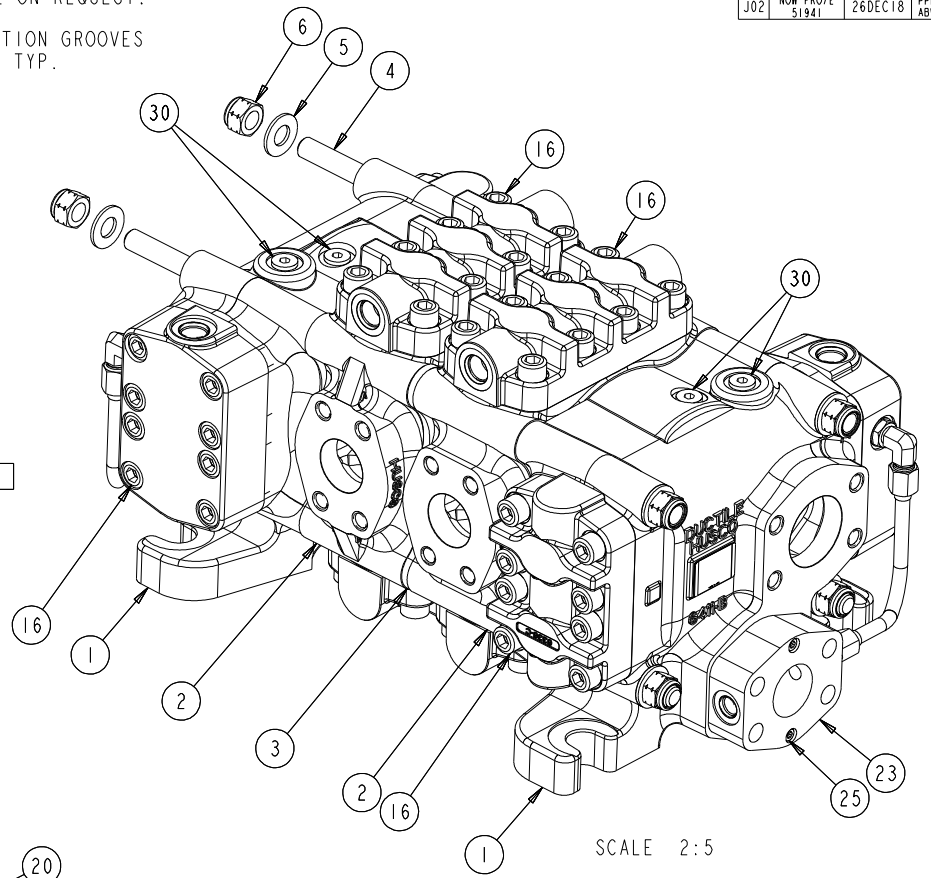
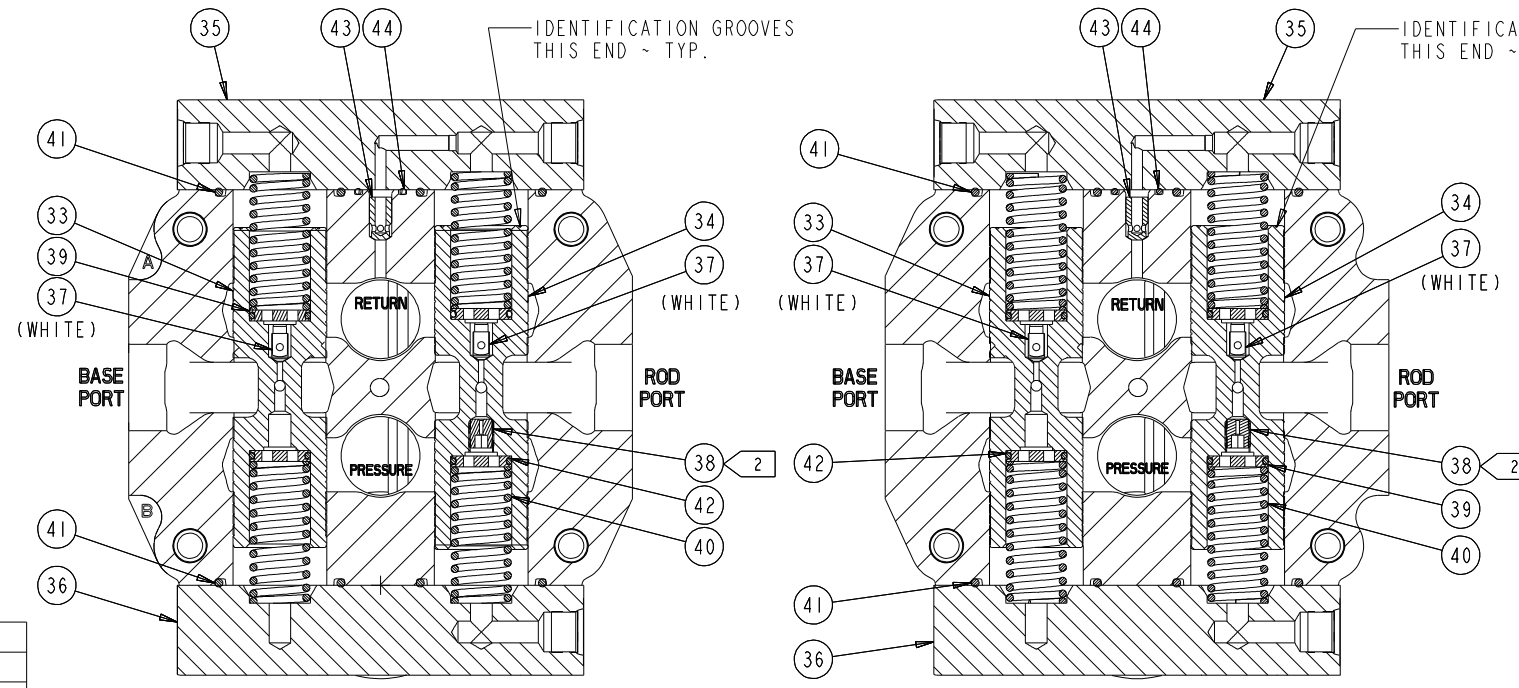
ITEM	PART NUMBER	QTY	DESCRIPTION
8	55684	1	NAMEPLATE ASSY.
7	6339	8	NUT-LOCK
6	6555	8	WASHER-FLAT
5	6340-23	4	TIE ROD
4	6402-60	1	SPOOL SECTION ASSY.
3	52113	1	PLATE
2	6402-61	1	SPOOL SECTION ASSY.
1	6401-40	2	INLET SECTION ASSY.

DIMENSIONS ARE IN INCHES		SCALE: 1:2	THIRD ANGLE PROJECTION	<b>HUSCO</b> INTERNATIONAL WAUKESHA, WISCONSIN USA
UNLESS OTHERWISE SPECIFIED DETAILS TO BE MANUFACTURED IN ACCORDANCE WITH: HUSCO SPEC. 100-101		DATE: 26DEC18	DRWN BY: PPL	
UNTOLERANCED DIMENSIONS ON ASSY. DWG. ARE FOR REF. ONLY		CHKD BY: ABW	APPVD BY: GFD	NAME: CONTROL VALVE ASSY.
MATERIAL: -		DRWG. SIZE: D	CHECKED: N	ORIG. DOC: W13350
HEAT TREAT: -		ECP NO: 51941		EXP NO: S-8977
PLATING: -		HUS PRO/E		PART NO: 6400-B21
				REV/ISS: J02
				SHEET 1 OF 3

NOTICE: INFORMATION HEREIN PRESENTED IS CONFIDENTIAL PROPRIETARY INFORMATION OF HUSCO. ANY PERSON ACCEPTING THIS INFORMATION IS REQUIRED TO ACCEPT THE SAME IN CONFIDENCE. TO AGREE TO MAKE NO DISCLOSURE, USE, OR DUPLICATION THEREOF EXCEPT AS AUTHORIZED BY HUSCO AND TO RETURN THE SAME ON REQUEST.

REV	ECN No.	DATE	NAME/CHKR
H02	43475	15AUG11	SUP/EDM
J02	NOW PRO/E 51941	26DEC18	PPL/ABW

1	LOCTITE PER HUSCO SPEC. 850-101
2	APPLY ADHESIVE PER HUSCO SPEC. 850-101
3	TORQUE BOTH ENDS
HONE SPOOL BORE CLEARANCE PER HUSCO SPEC. 210-14C	



NOTE: PARTS IN SECTIONS "A-A" & "D-D" ARE THE SAME IN BOTH SECTIONS

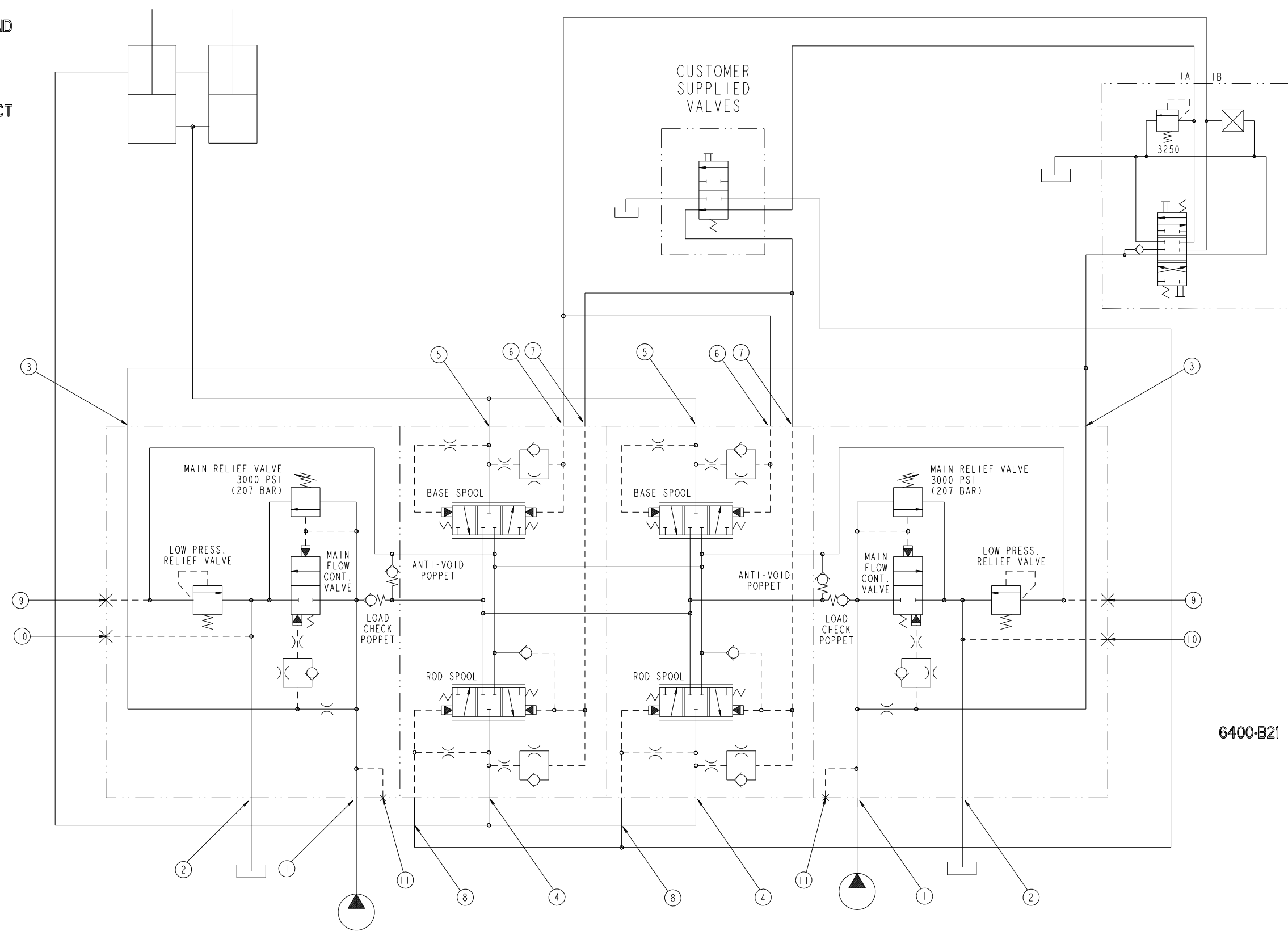
ITEM	PART NUMBER	QTY	DESCRIPTION	TORQUE SPEC.
44	43-115	2	O-RING	
43	6787	2	POPPET-C.V.	
42	43-118	8	O-RING	
41	43-226	16	O-RING	
40	6299	8	SPRING	
39	50004	8	WASHER-SPOOL	
38	51015-8	2	SCREW-RESTRICTION	800-005
37	6194-C	4	POPPET-RESTRICTION	
36	52014	2	COVER-SPOOL	
35	6297	2	COVER-SPOOL	
34	52112	2	SPOOL	
33	51187	2	SPOOL	
32	43-360	4	O-RING	
31	43-223	8	O-RING	
30	400156	4	PLUG ASSY.-SAE	807-105
29	51655	2	TUBING	800-025
28	400150	2	FITTING ASSY.	806-105
27	400149	2	FITTING ASSY.	806-105
26	51015-9	2	SCREW-RESTRICTION	800-005
25	5243	4	CAP SCREW-SOC. HD.	808-101
24	48-225	2	O-RING	
23	51181	2	CAP-FLANGE	
22	43-010	2	O-RING	
21	5331-B	4	BACK-UP RING	
20	51018	2	POPPET-RESTRICTION	
19	43-111	2	O-RING	
18	5053-B	4	BACK-UP RING	
17	51168-2	2	SLEEVE	
16	6177	64	CAP SCREW-SOC. HD.	808-105
15	3329-A	2	SPRING	
14	6646	2	SPRING	
13	3329	4	SPRING	
12	51470	2	COVER-R.V.	
11	6334	2	COVER-POPPET	
10	6338	4	POPPET-C.V.	
9	6329	2	SLEEVE	
8	6345	2	RELIEF VALVE ASSY.-L.P.	
7	6565-E	2	RELIEF VALVE ASSY.	
6	6339	8	NUT-LOCK	812-105
5	6555	8	WASHER-FLAT	
4	6340-23	4	TIE ROD	
3	52113	1	PLATE	
2	6412-11	2	HOUSING-SPOOL	
1	6411-11	2	HOUSING-INLET	

DIMENSIONS ARE IN INCHES		SCALE 3:5	THIRD ANGLE PROJECTION	
UNLESS OTHERWISE SPECIFIED DETAILS TO BE MANUFACTURED IN ACCORDANCE WITH: HUSCO SPEC.100-101		DATE 26DEC18	DRN BY PPL	
UNTOLERANCED DIMENSIONS ON ASSY. DWG. ARE FOR REF. ONLY		CHKD BY ABW	APPVD BY GFD	NAME CONTROL VALVE ASSY.
MATERIAL -		DRNG SIZE D	CHKD STNCKD N	ORIG DOC W13350
HEAT TREAT -				EXP NO S-8977
PLATING -				ECN NO 51941
				PART NO 6400-B21
				REV/ISS J02
				SHEET 2 OF 3

NOTICE: INFORMATION HEREIN PRESENTED IS CONFIDENTIAL PROPRIETARY INFORMATION OF HUSCO. ANY PERSON ACCEPTING THIS INFORMATION IS REQUIRED TO ACCEPT THE SAME IN CONFIDENCE. TO AGREE TO MAKE NO DISCLOSURE, USE, OR DUPLICATION THEREOF EXCEPT AS AUTHORIZED BY HUSCO AND TO RETURN THE SAME ON REQUEST.

REV	ECN No.	DATE	NAME/CHR
H02	43475	15AUG11	SUP EDM
J02	NOW PRO/E 51941	26DEC18	PPL ABW

EXTEND  
↓  
RETRACT



**CIRCUIT OPERATION**

1. TO EXTEND THE CYLINDERS SHIFT THE 5000-A62 PILOT VALVE SPOOL TO: HI-PRESSURE "B" LOW PRESSURE "A"
2. TO RETRACT THE CYLINDERS SHIFT THE 5000-A62 PILOT VALVE SPOOL TO: HI-PRESSURE "A" LOW PRESSURE "B"
3. TO EXTEND THE CYLINDERS IN REGEN SHIFT THE 5000-A62 PILOT VALVE SPOOL TO: HI PRESSURE "B" LOW PRESSURE "A" AND SHIFT THE CUSTOMER SUPPLIED VALVE TO THE OPPOSITE POSITION AS SHOWN IN THIS SCHEMATIC.

1. INLET PORT
2. TANK PORT
3. PILOT VALVE PRESSURE PORT
4. CYLINDER ROD WORK PORT
5. CYLINDER BASE WORK PORT
6. BASE SPOOL PILOT PORT ON TOP COVER
7. ROD SPOOL PILOT PORT ON TOP COVER
8. ROD SPOOL PILOT PORT ON BOTTOM COVER
9. LOW PRESSURE CORE GAGE PORT
10. OUTLET CORE GAGE PORT
11. INLET PRESSURE GAGE PORT

DIMENSIONS ARE IN INCHES		SCALE 1:2	THIRD ANGLE PROJECTION	
UNLESS OTHERWISE SPECIFIED DETAILS TO BE MANUFACTURED IN ACCORDANCE WITH: HUSCO SPEC.100-101		DATE 26DEC18	DATE 26DEC18	
UNTOLERANCED DIMENSIONS ON ASSY. DWG. ARE FOR REF. ONLY		DRAWN BY PPL	CHKD BY ABW APPVD BY GFD	NAME CONTROL VALVE ASSY.
		DRAWING SIZE D	CHECKED BY N	ORIG DOC W13350 EXP NO S-8977
				ECN NO 51941 PART NO 6400-B21 REV/ISS J02
				SHEET 3 OF 3