

- ENGINE RUNNING
7,3,151,154,156,159
- OIL PRESSURE
114
- OVERSPEED
5,3,91,105,211,214
- WATER TEMP. STOP
6,9,10,9
- OIL PRESSURE STOP
6,9,82,85,110
- ALARM
97,146,149
- FUEL SOLENOID
- BATTERY 1 FAILURE
124,130,151,155
- BATTERY 2 FAILURE
122,126,139,152,153
- ENGINE RUN TIMER
5,8
- ENERGIZE TO STOP SOLENOID
- BATTERY SWITCH
43,43,45,45

- NOTES:
- - DENOTES TERMINALS ON 1T LOCATED AT FRONT BOTTOM OF RELAY PANEL.
 - ◇ - DENOTES TERMINALS ON 2T LOCATED AT FRONT TOP OF RELAY PANEL.
 - ③ - DENOTES TERMINALS ON 3T LOCATED AT CENTER OF RELAY PANEL.
 - ④ - DENOTES TERMINALS ON 4T LOCATED AT FRONT BOTTOM OF RELAY PANEL.
 - ⑤ - DENOTES TERMINALS ON 5T LOCATED ON FRONT BOTTOM OF RELAY BOARD.
 - - DENOTES TERMINALS ON LOGIC BOARD, (LB).
 - △ - DENOTES MATCH POINT ON SHEET 1 & 3 OF 3.

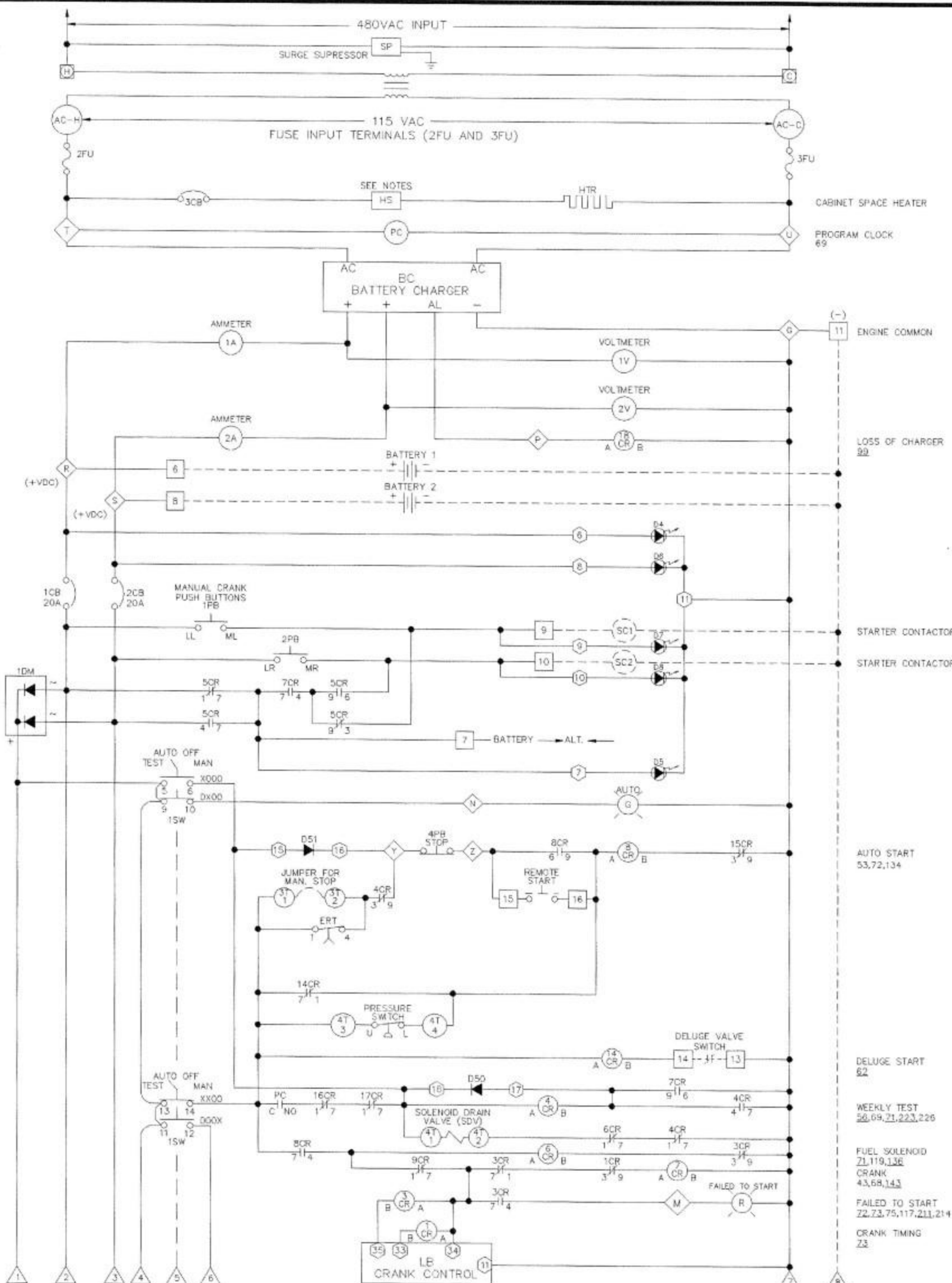
NOTES:
THERE IS A DIODE AND RESISTOR IN SERIES WITH EACH LED, NOT SHOWN ON SCHEMATIC.

SCHEMATIC
MODEL FD2, NEGATIVE GROUND
ENGINE DRIVEN FIRE PUMP CONTROLLER

METRON, INC.
DENVER, CO.

OPTIONS: A,H,J,K,N,R,U
SCALE N.T.S. SHEET 2 OF 3

1
2
3
4
5
6
7
8
9
10
11
12
13
14
15
16
17
18
19
20
21
22
23
24
25
26
27
28
29
30
31
32
33
34
35
36
37
38
39
40
41
42
43
44
45
46
47
48
49
50
51
52
53
54
55
56
57
58
59
60
61
62
63
64
65
66
67
68
69
70
71
72
73
74
75
76
77
78
79
80



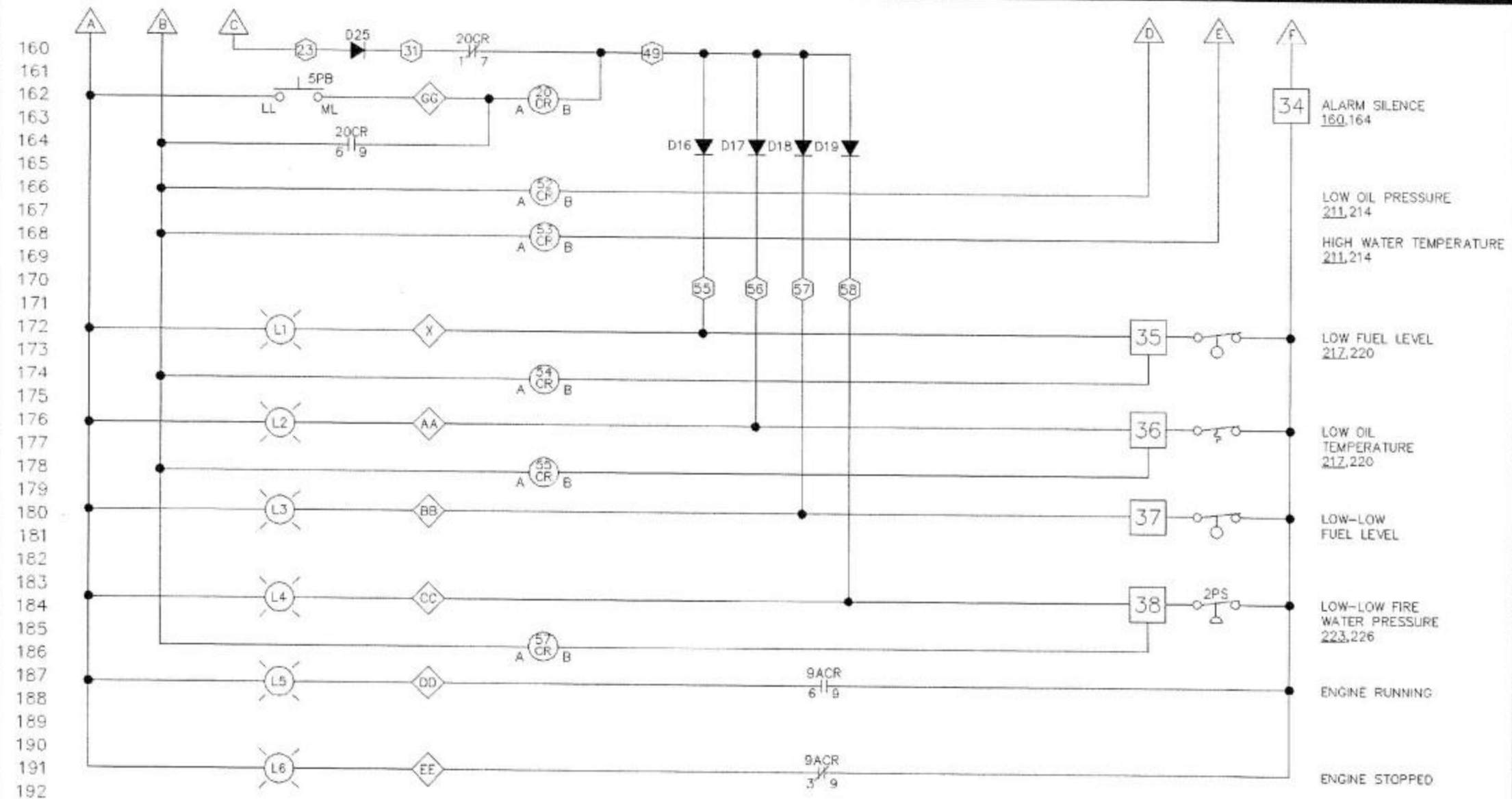
- NOTES:
- - DENOTES TERMINALS ON 1T LOCATED AT FRONT BOTTOM OF RELAY PANEL
 - ◇ - DENOTES TERMINALS ON 2T LOCATED AT FRONT TOP OF RELAY PANEL
 - ① - DENOTES TERMINALS ON 3T LOCATED AT CENTER OF RELAY PANEL
 - ④ - DENOTES TERMINALS ON 4T LOCATED AT FRONT BOTTOM OF RELAY PANEL
 - ⑤ - DENOTES TERMINALS ON 5T LOCATED ON FRONT BOTTOM OF RELAY BOARD
 - ⑥ - DENOTES TERMINALS ON LOGIC BOARD, (LB)
 - △ - DENOTES MATCH POINT ON SHEET 2 & 3 OF 3

NOTES:

THERE IS A DIODE AND RESISTOR IN SERIES WITH EACH LED, NOT SHOWN ON SCHEMATIC.

HEATER SWITCH MAY BE EITHER A THERMOSTAT (N.C.) OR HUMIDISTAT (N.O.)

METRON, INC. DENVER, CO.	
SCHEMATIC MODEL FD2, NEGATIVE GROUND ENGINE DRIVEN FIRE PUMP CONTROLLER	
OPTIONS: A,H,J,K,N,R,U	SCALE: N.T.S. SHEET 1 OF 3



160
161
162
163
164
165
166
167
168
169
170
171
172
173
174
175
176
177
178
179
180
181
182
183
184
185
186
187
188
189
190
191
192
193
194
195
196
197
198
199
200
201
202
203
204
205
206
207
208
209
210
211
212
213
214
215
216
217
218
219
220
221
222
223
224
225
226
227
228
229
230
231
232
233
234
235
236
237
238

- NOTES:
- - DENOTES TERMINALS ON 1T LOCATED ON FRONT BOTTOM OF RELAY BOARD.
 - ◇ - DENOTES TERMINALS ON 2T LOCATED ON FRONT TOP OF RELAY BOARD.
 - ① - DENOTES TERMINALS ON 3T LOCATED ON FRONT BOTTOM OF RELAY BOARD.
 - ② - DENOTES TERMINALS ON 4T LOCATED ON FRONT BOTTOM OF RELAY BOARD.
 - ③ - DENOTES TERMINALS ON 5T LOCATED ON FRONT BOTTOM OF RELAY BOARD.
 - - DENOTES TERMINALS ON LOGIC BOARD, (LB).
 - △ - DENOTES MATCH POINT ON SHEET 1 & 2 OF 3.

NOTES:
THERE IS A DIODE AND RESISTOR IN SERIES WITH EACH LED, NOT SHOWN ON SCHEMATIC.

METRON, INC.
DENVER, CO.

OPTIONS: A,H,J,K,N,R,U

SCHEMATIC
MODEL FD2, NEGATIVE GROUND
ENGINE DRIVEN FIRE PUMP CONTROLLER

SCALE N.T.S.

SHEET 3 OF 3