

# Art. "B" - SHUTTER GLOBE VALVE



**DESCRIPTION**

Valve with shutter closing.  
Standard seals in NBR, in FPM or in EPDM.  
On request: shutter closing with PTFE.  
Perfect airtight.  
Connections with inner GAS ISO 228 thread female-female.  
On request: NPT connections.  
Control air 1/8" GAS connections.

**ALLOWABLE TEMPERATURES**

Operating temperature:  
Seal in NBR/NBR : from -20°C to +100°C  
Seal in FPM/FPM : from -15°C to +100°C  
Seal in EPDM/EPDM: from -40°C to +100°C  
Seal in PTFE/FPM: from -20°C to +100°C  
Seal in PTFE/EPDM: from -40°C to +100°C

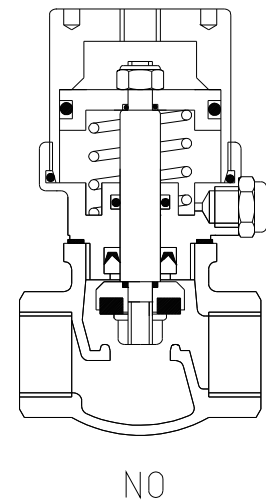
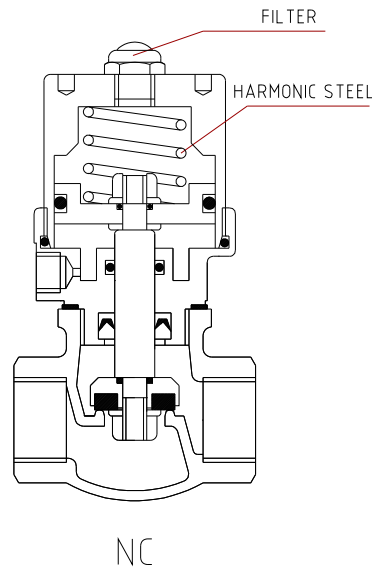
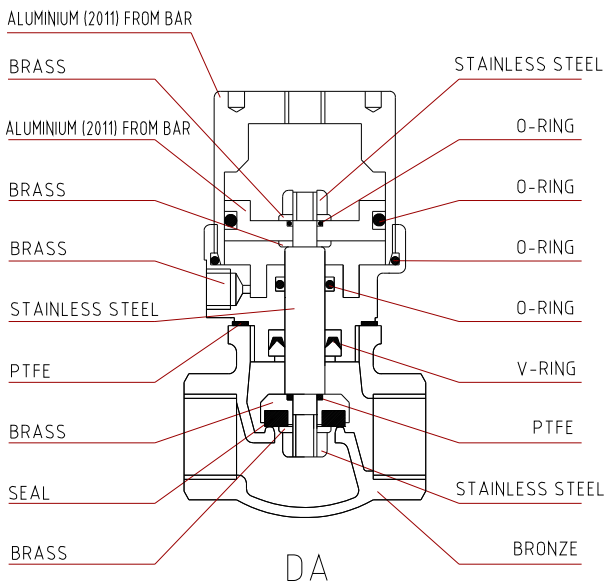
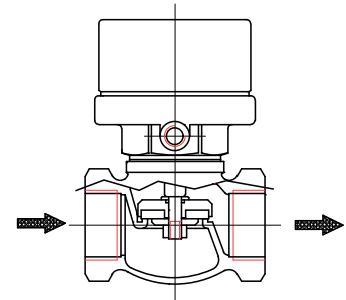
**ACTUATOR PILOT PRESSURE:** Max. 8 bar.

**VERSIONS AND SIZES**

DA: 1/2" - 3/4" - 1" - 1"1/4 - 1"1/2 - 2"  
SANC: 1/2" - 3/4" - 1" - 1"1/4 - 1"1/2 - 2"  
SANO: 1/2" - 3/4" - 1" - 1"1/4 - 1"1/2 - 2"

**ANODIZING TREATMENT ON OUTSIDE DETAILS  
MADE IN ALUMINIUM**

It is **not subject** to the "Water Hammer" if the fluid pass through the valve in the direction of the arrow printed on the body (under the shutter).  
With these conditions the tightness is guaranteed up to the pressures shown in the Differential Pressure Chart.



# Art. "B"

## DIFFERENTIAL PRESSURE CHART

NC : NBR-FPM-EPDM

NC : PTFE

DA/NO : NBR-FPM-EPDM

DA/NO : PTFE

| G     | DeltaP<br>bar |
|-------|---------------|
| 1/2"  | 8             |
| 3/4"  | 7             |
| 1"    | 7             |
| 1"1/4 | 5.5           |
| 1"1/2 | 8             |
| 2"    | 5             |

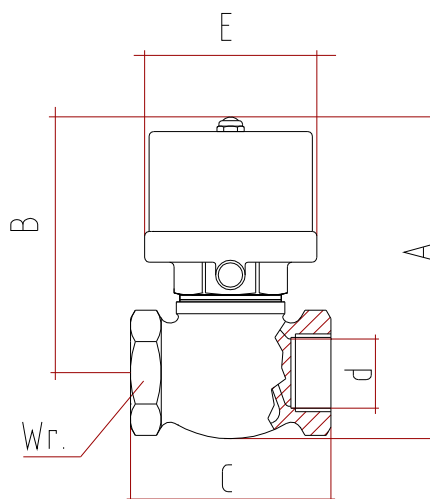
| G     | DeltaP<br>bar |
|-------|---------------|
| 1/2"  | 8             |
| 3/4"  | 5             |
| 1"    | 6             |
| 1"1/4 | 4.5           |
| 1"1/2 | 6             |
| 2"    | 3.5           |

| G     | PILOT<br>PRESS. | DeltaP<br>bar |
|-------|-----------------|---------------|
| 1/2"  | 4               | 15            |
| 1/2"  | 5               | 19            |
| 3/4"  | 4               | 10            |
| 3/4"  | 5               | 13            |
| 1"    | 4               | 18            |
| 1"    | 5               | 23            |
| 1"1/4 | 4               | 11            |
| 1"1/4 | 5               | 14            |
| 1"1/2 | 4               | 11            |
| 1"1/2 | 5               | 13            |
| 2"    | 4               | 7             |
| 2"    | 5               | 9             |

| G     | PILOT<br>PRESS. | DeltaP<br>bar |
|-------|-----------------|---------------|
| 1/2"  | 4               | 15            |
| 1/2"  | 5               | 19            |
| 3/4"  | 4               | 8             |
| 3/4"  | 5               | 11            |
| 1"    | 4               | 15            |
| 1"    | 5               | 20            |
| 1"1/4 | 4               | 9             |
| 1"1/4 | 5               | 12            |
| 1"1/2 | 4               | 10            |
| 1"1/2 | 5               | 12            |
| 2"    | 4               | 6             |
| 2"    | 5               | 8             |

## MINIMUM PRESSURE REQUIRED TO OPEN NC VERSION

| G   | 1/2" | 3/4" | 1"  | 1"1/4 | 1"1/2 | 2" |
|-----|------|------|-----|-------|-------|----|
| Bar | 4.5  | 4.5  | 3.5 | 3.5   | 4     | 4  |



## OVERALL DIMENSIONS

| DN  | G     | A   | B   | C   | d   | E   | Wrench | Kv                | Weight |
|-----|-------|-----|-----|-----|-----|-----|--------|-------------------|--------|
| mm. |       | mm. | mm. | mm. | mm. | mm. | mm.    | m <sup>3</sup> /h | gr.    |
| 15  | 1/2"  | 106 | 86  | 60  | 17  | 50  | 27     | 3.4               | 590    |
| 20  | 3/4"  | 110 | 85  | 74  | 24  | 50  | 35     | 7.9               | 700    |
| 25  | 1"    | 128 | 98  | 85  | 30  | 76  | 46     | 11                | 1400   |
| 32  | 1"1/4 | 138 | 106 | 95  | 39  | 76  | 52     | 18                | 1650   |
| 40  | 1"1/2 | 166 | 130 | 110 | 45  | 89  | 60     | 28                | 2600   |
| 50  | 2"    | 184 | 139 | 120 | 55  | 89  | 72     | 44                | 3400   |