
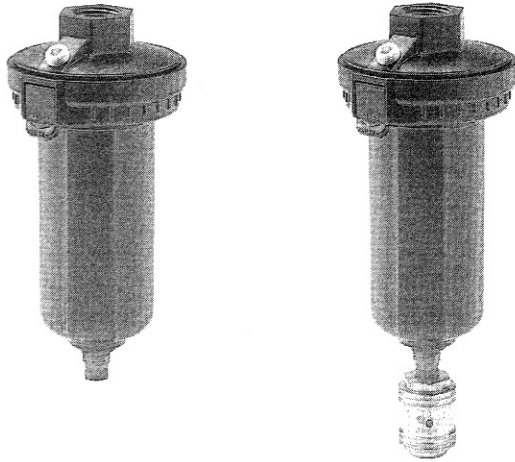


# External Drain X02 / XB3

 = "Most Popular"



**X02-04-000**

**XB3-04-M00**

## Features

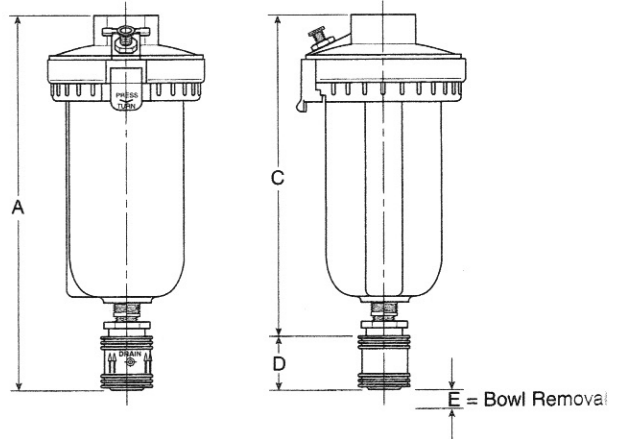
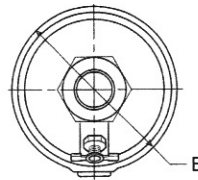
- Available in NPT and BSPP-G Ports
- The Manual Override Allows Drainage at Any Time Without Waiting
- Use of the Manual Override Does Not Interfere with the Normal Operation of the Drain
- To Assist in Compliance with EPA Regulations, a 1/8" Pipe Thread Allows the Liquid Discharge to be Piped Away. The X02 Has No Manual Override for the Automatic Drain.

## Specifications

Drain Rate	80 GPH @ 100 PSIG (300 l/h @ 6.9 bar)	
Maximum Supply Pressure	Plastic Bowl	150 PSIG (10.3 bar)
	Metal Bowl	200 PSIG (13.8 bar)
Operating Temperature	Plastic Bowl	32° to 125°F (0° to 52°C)
	Metal Bowl	32° to 150°F (0° to 65.5°C)
Port Size	NPT / BSPP-G 1/2	
Use Retention	oz. (cm <sup>3</sup> ) 5 (148)	
Weight	lb. (kg)	XB3 1.42 (0.6)
		X02 1.26 (0.6)

## Materials of Construction

Body	Zinc
Float Assembly	Plastic with Stainless Steel Internals
Manual Override	Brass



## Dimensions

Models	Inches (mm)	A	B	C	D	E
Standard Unit XB3-04-000		7.00 (179)	3.06 (78)	6.00 (152)	1.00 (25)	1.66 (42)
Standard Unit X02-04-F00		5.87 (149)	3.06 (78)	— —	— —	2.88 (73)
Metal Bowl XB3-04-M00		7.50 (190.5)	3.06 (78)	6.50 (165)	1.00 (25)	1.66 (42)
Metal Bowl X02-04-FM0		5.87 (149)	3.06 (78)	— —	— —	2.88 (73)