



JOUCOMATIC

MULTIFUNCTION SPOOL VALVES

air operated

ISO 5599/1 subbase mounted body



5/2-5/3

Series

541-542-543

Type

ISO sizes 1-2-3

FEATURES

- Reliability: long service life of 30 million cycles
- Choice of internal/external supply with selector seals (vacuum use to -0,950 bar)
- Modular assembly with joinable subbases
- Subbases with side or bottom ports

GENERAL

	ISO 1	ISO 2	ISO 3
Fluid	Air or neutral gas, filtered, lubricated or not		
Operating pressure	- 0,950 to +12 bar		
	+3 to +10 bar (with internal differential supply)		
	Can be used with vacuum - 0,950 bar max.		
Pilot pressure	See specifications table		
Ambient temperature	- 10°C to +60°C		
Flow (Qv at 6 bar)	1400 l/min (ANR)	2800 l/min (ANR)	4200 l/min (ANR)
Flow coefficients			
- conforming to ISO 6358			
sonic conductance	C = 5,8 x 10 ⁻⁸ m ³ /s.Pa	C = 1,136 x 10 ⁻⁷ m ³ /s.Pa	C = 16 x 10 ⁻⁸ m ³ /s.Pa
absolute static pressure	b = 0,28	b = 0,22	b = 0,34
- conforming to NF E29312			
(l/min)	Kv = 20	Kv = 37,5	Kv = 60
Life	30 millions of cycles		15 millions of cycles
Base	ISO 5599/1 sizes 1-2-3 - AFNOR NF E49080		
Subbase	Single subbase ISO/AFNOR NF E49085		
	Joinable subbase ISO/VDMA 24345		
	Joinable subbase with integrated functions		

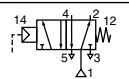
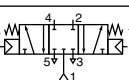


D

CONSTRUCTION

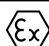
Cover	Painted steel
Pilot and return assembly	POM (polyacetal)
Seals	NBR (nitrile) and PUR (polyurethane)
Internal parts	POM (polyacetal), light alloy

SPECIFICATIONS

function symbol	operators		size	pilot pressure (bar)		catalogue number
	pilot (14)	return (12)		min.	max.	
	air operated	spring	ISO 1 ISO 2 ISO 3	3	12	54101017 54202017 54301017
	air operated	differential	ISO 1 ISO 2 ISO 3	3	12	54101018 54202018 54301018
	air operated	air	ISO 1 ISO 2 ISO 3	1,5	12	54101019 54202019 54301019
	air operated pressure held W1		ISO 1 ISO 2 ISO 3	3	12	54101020 54202020 54301020
	air operated pressure applied W2		ISO 1 ISO 2 ISO 3	3	12	54101022 54202022 54301022
	air operated pressure release W3		ISO 1 ISO 2 ISO 3	3	12	54101021 54202021 54301021

OPTIONS

- Equipment with manual testers so that the spool position can be checked
- Equipment for use in potentially **explosive atmospheres** caused by dusts or gases (ATEX Directive 94/9/EC)

zones	classification 	ATEX option catalogue number		
		ISO 1	ISO 2	ISO 3
2-22	II3GD c T 60°C T 85°C (T6)	612027	-	612029
1-21	II2GD c IIC T 60°C T 85°C (T6)	612030	612090	612032

SUBBASES AND ACCESSORIES : see pages P570-9 and 22

All leaflets are available on: www.asconumatics.eu

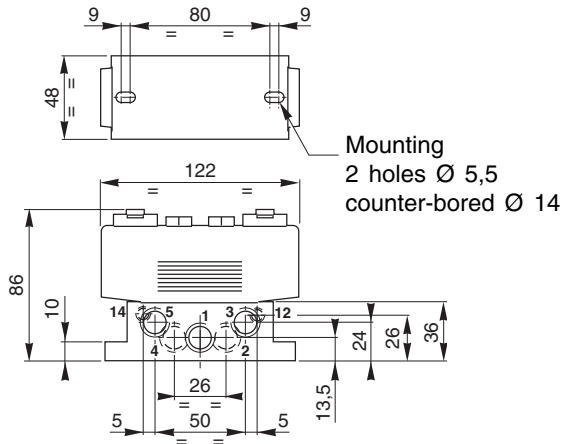
Pneutrol International Ltd are Platinum Distributors for ASCO Numatics

P470-1

Contact us : 5 Caulside Drive, Antrim, Northern Ireland, BT41 2DU www.valves-direct.com sales@pneutrol.com Tel: +44 (0) 28 9448 1800

DIMENSIONS (mm), WEIGHT (kg)

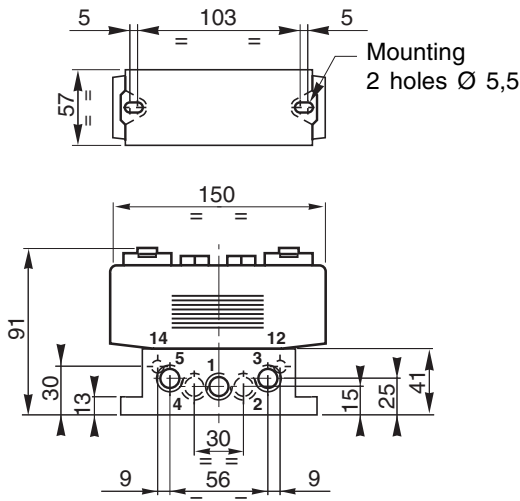
VALVES ON SINGLE SUBBASES Side port - ISO 1



subbase catalogue number	port orifices		
	12-14	1-2-4	3-5
35500076	G 1/8	G 1/4	G 1/4
35500061			G 3/8
35500382		G 3/8	G 3/8

Total weight : 0,880

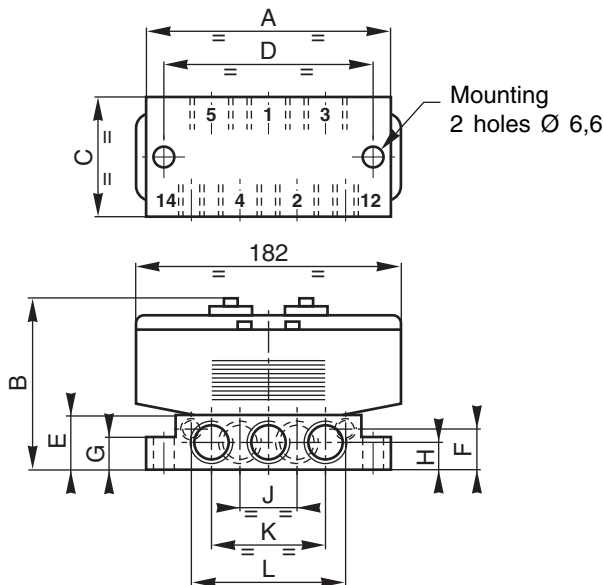
VALVES ON SINGLE SUBBASES Side port - ISO 2



subbase catalogue number	port orifices		
	12-14	1-2-4	3-5
35500560	G 1/8	G 3/8	G 3/8
35500562		G 1/2	G 1/2

Total weight : 1,200

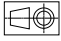
VALVES ON SINGLE SUBBASES Side port - ISO 3



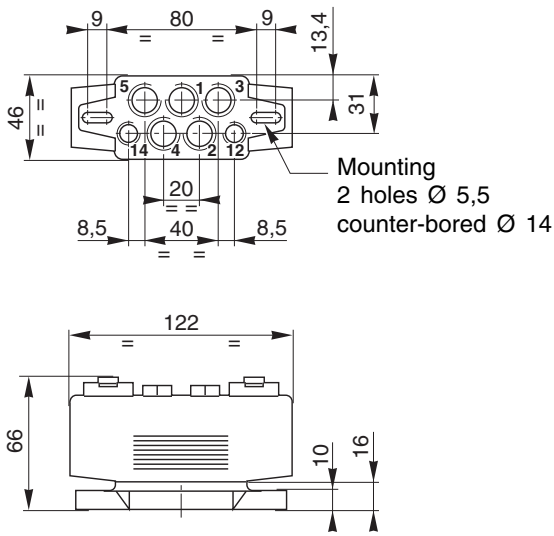
subbase catalogue number	port orifices		
	12-14	1-2-4	3-5
35500171	G 1/8	G 1/2	G 1/2
35500192		G 3/4	G 3/4

Total weight : 1,400

dimension	subbase	
	G 1/2	G 3/4
A	149	149
B	99	117
C	71	71
D	136	136
E	32	50
F	22	40
G	18	18
H	17	20
J	32	36
K	68	80
L	90	92

DIMENSIONS (mm), WEIGHT (kg) 

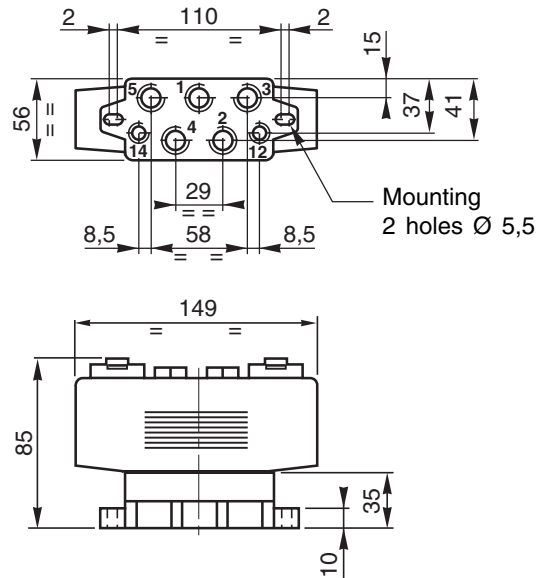
VALVES ON SINGLE SUBBASES
Bottom port - ISO 1



subbase catalogue number	port orifices		
	12-14	1-2-4	3-5
35500077	G 1/8	G 1/4	G 1/4
35500069	instant fittings		G 1/4
	Ø 4 OD	Ø 8 OD	

Total weight : 0,500

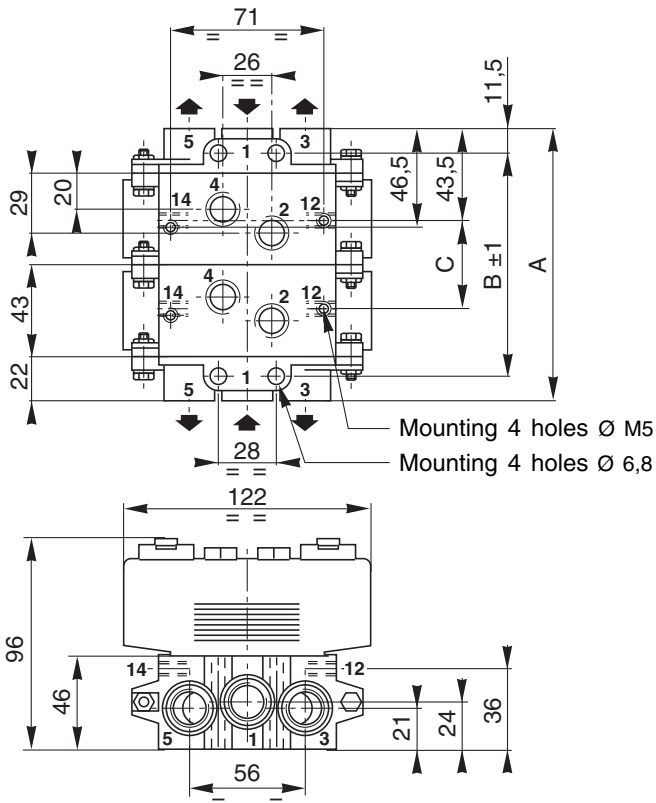
VALVES ON SINGLE SUBBASES
Bottom port - ISO 2



subbase catalogue number	port orifices		
	12-14	1-2-4	3-5
35500085	G 1/8	G 3/8	G 3/8

Total weight : 1,150

SPOOL VALVES ON METALIC JOINABLE SUBBASES
Bottom port - ISO 1



	catalogue number	port orifices		
		12-14	2-4	1-3-5
subbase	35500165	G 1/8	G 1/4	-
2 end plates	35500166	-	-	G 3/8


Set of end plates supplied with 3 plugs G 3/8 (for 1-3-5)

number of subbases	A	B±1	C	weight
3	173	150	86	2,150
4	216	193	129	2,800
5	259	236	172	3,450
6	302	279	215	4,100
7	345	322	258	4,750
8	388	365	301	5,400

Weight : spool valves + subbases + end plates

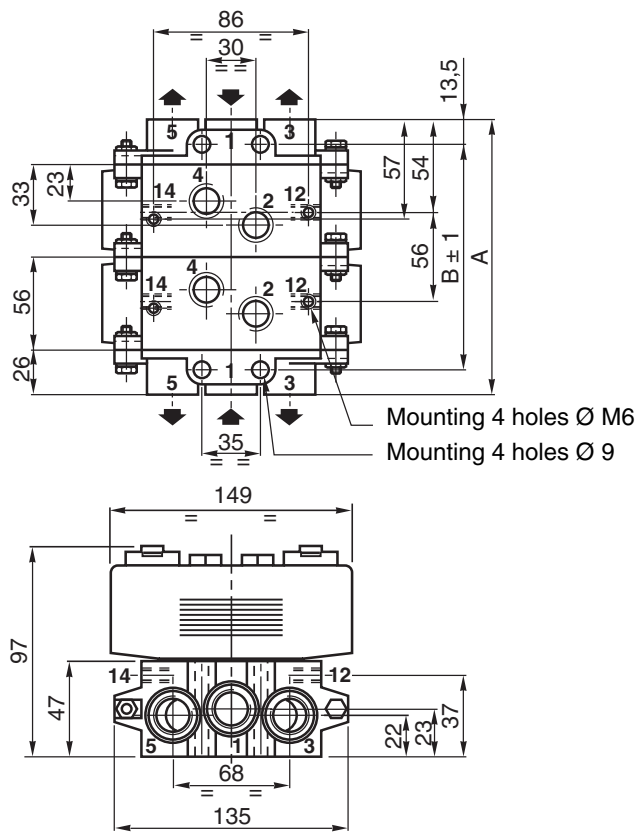
00391GB-2008/R01
Availability, design and specifications are subject to change without notice. All rights reserved.

D

DIMENSIONS (mm), WEIGHT (kg) 

SPOOL VALVES ON METALIC JOINABLE SUBBASES

Bottom port - ISO 2



	catalogue number	port orifices		
		12-14	2-4	1-3-5
subbase	35500169	G 1/8	G 3/8	-
2 end plates	35500170	-	-	G 1/2

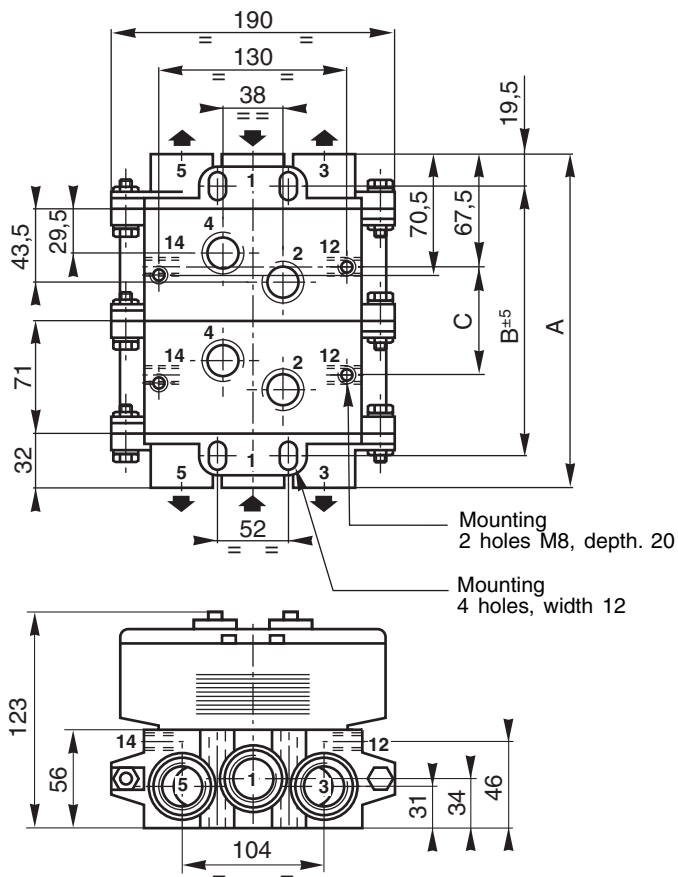
Set of end plates supplied with 3 plugs G 1/2 (for 1-3-5)

number of subbases	A	B±1	weight
3	220	193	4,500
4	276	249	6,100
5	332	305	7,700
6	388	361	9,300
7	444	417	9,900
8	500	473	10,500

Weight : spool valves + subbases + end plates

SPOOL VALVES ON METALIC JOINABLE SUBBASES

Bottom port - ISO 3



	catalogue number	port orifices		
		12-14	2-4	1-3-5
subbase	35500173	G 1/8	G 1/2	-
2 end plates	35500174	-	-	G 1

Set of end plates supplied with 3 plugs G 1 (for 1-3-5)

number of subbases	A	B±1	C	weight
2	206	167	71	3,900
3	277	238	142	5,500
4	348	309	213	7,100
5	419	380	284	8,700
6	490	451	355	10,300
7	561	522	426	11,900

Weight : spool valves + subbases + end plates