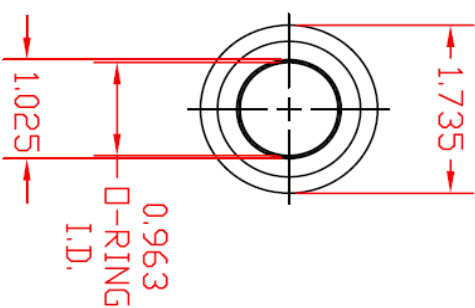
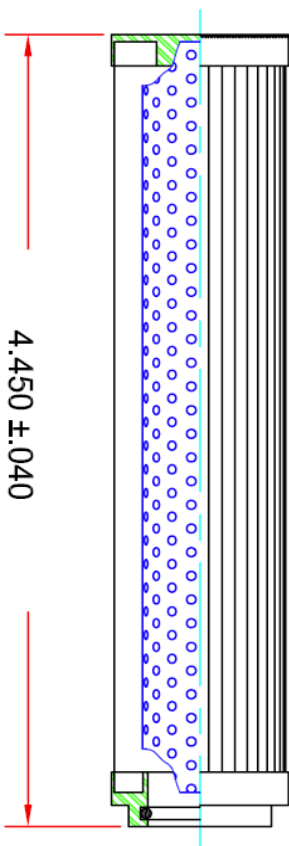
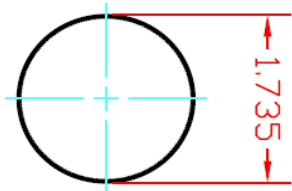


Part #

FLK02-18766

KS 05/02/2013



### Component Chart

End caps	Corrosion resistant steel
Center Tube	Corrosion resistant steel
Pleat Pack	Microglass
Seal	Fluorocarbon (Max Temp: -20°f to 250°f)
Collapse rating	3000 psid
Filtration rating	B <sub>10</sub> = 200

**Fluitek**  
C O R P O R A T I O N

CONFIDENTIAL & PROPRIETARY NOT for REPRODUCTION  
This document is for qualification compliance only and is not to be distributed to any other parties.