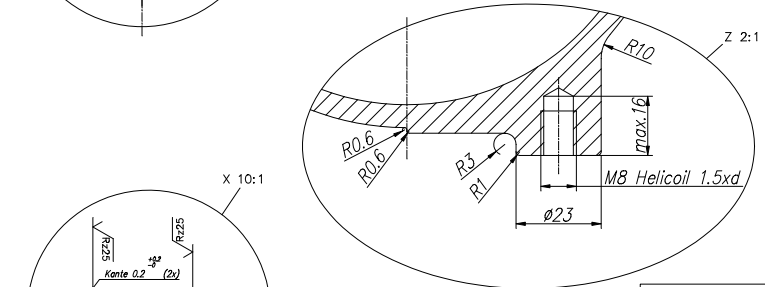
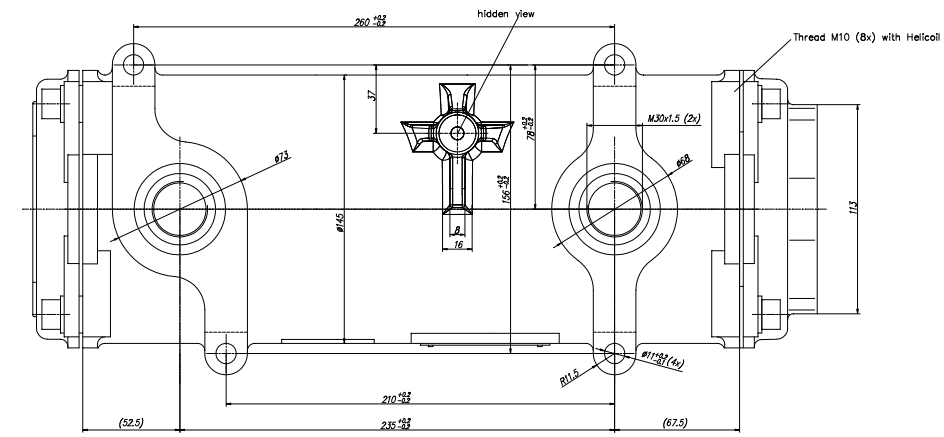
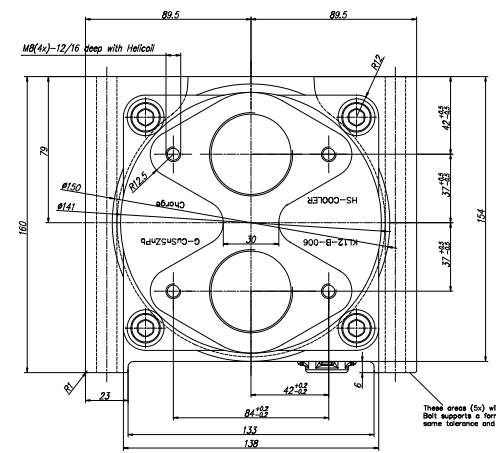
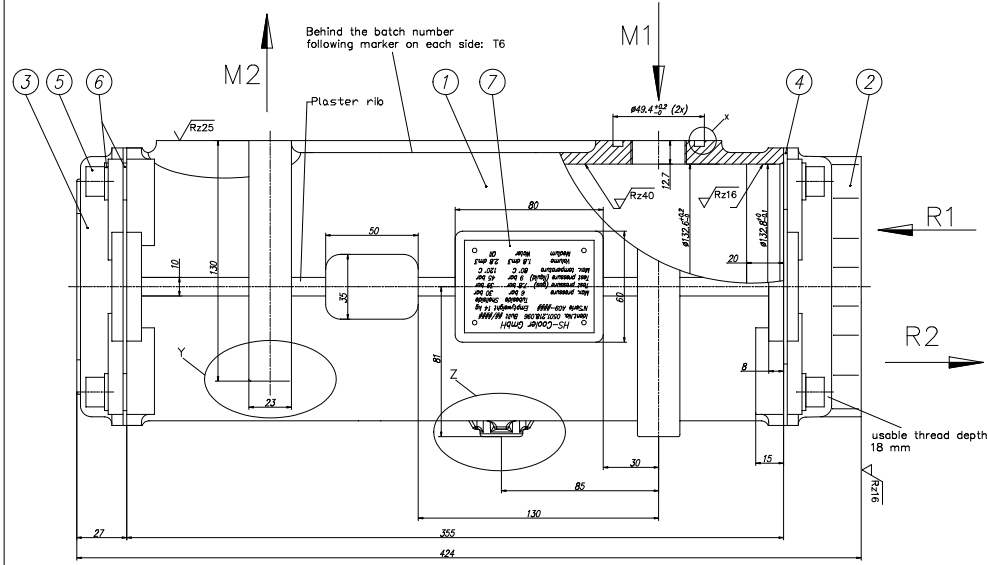
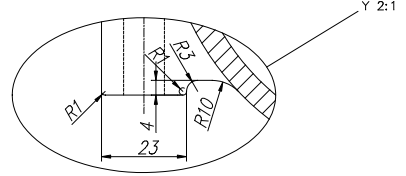
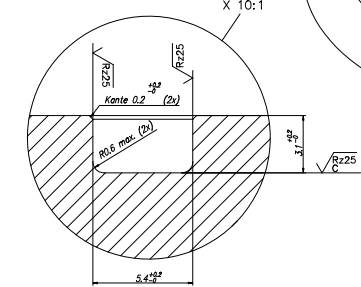


	Shellside	Tubeside
Max. Operating Pressure	30 bar	6 bar
Test Pressure (Hydraulic Test)	42.9 bar	8.58 bar
Test Pressure (liquid)	45 bar	9 bar
Max. Operating Temperature	120 °C	80 °C
Content	2.8 l	1.8 l
Joint (1=IN/2=OUT)	M1/M2=M30x1.5	R1/R2=M45x1.5
Heat transfer surface	4.43 m ²	0.54 m ²
Medium	Gear Oil*	Seawater
Min./Max. flow rates	6.6 m ³ /h	5/11 m ³ /h
Operating Temperature (IN)	72°C/max.105°C	max. 40°C
Weight (empty)		14 kg

* Acc. ZF list of lubricants TE--ML04



○ HS-Cooler GmbH ○
 Ident.No. 0501.218.096 Built ##/###/###
 N°Serie A09-### Emptyweight 14 kg
 Tubeside Shellside
 Max. pressure 6 bar 30 bar
 Test pressure (gas) 7.8 bar 39 bar
 Test pressure (liquid) 9 bar 45 bar
 Max. temperature 80 °C 120 °C
 Volume 1.8 dm³ 2.8 dm³
 ○ Medium Water Oil ○



1	2	3	4	5	6
Pos.	Q-ty	Unit	Description	Part/Standard Number	Material
1	1	pc.	Shell	KL12-A-340 (Rev.D)	EN AC-AISI316 S 76 (3.1)
2	1	pc.	Bonnet M45	KL12-B-006	G-DUS527P6 DIN 1705 (3.1)
3	1	pc.	Cover	KL12-B-007	G-DUS527P6 DIN 1705 (3.1)
4	4	pc.	Fixation plate	KL-7047	Steel galv.
5	8	pc.	Allen screw	DIN 912 - M10x30 - 8.8	Steel galv.
6	12	pc.	Washer	DIN 126 - 11 x 20 x 2	Steel galv.
7	1	pc.	Type plate	Standard	Aluminium
8	2	pc.	Tubesheet	KL12-C-053	QA10P65N5-C DIN EN 1382 (3.1)
9	72	pc.	Tube L=368mm	7.5mm x 0.5mm	CONDUMIN® R370 EN 12451 (3.1)
10	296	pc.	Fin 1.1	KL12-0-104	Aluminium
11	4	pc.	O-Ring	KL-1511 120x4 [mm]	Viton
12	2	pc.	Sealing strip	KL-1551 329x12.5x3 [mm]	Viton
13	1	pc.	Baffle	KL-8044	Aluminium
14	1	pc.	Water partition	KL12-0-107	Polypropylen

THIS DRAWING AND ALL THE DATA CONTAINED HEREIN IS THE EXCLUSIVE PROPERTY OF HS-COOLER GMBH AND MAY NOT BE DISCLOSED TO OTHERS WITHOUT WRITTEN CONSENT.		SURFACE QUALITY	GENERAL TOLERANCE	Scale: 1:1	Weight: 14 kg
DATE	NAME	DIN ISO 1302	DIN 2768-m	Material: U	Format: A0
DRAWN: 25.02.2010	GRAUICH	CHECKED: 25.02.2010	GARBE	Heat exchanger	
CLEAR: 25.02.2010	GRAUICH	ANCE		KK12-BCV-121C L330	
TEST PRESSURE: 16.08.16	AH			KK12-0400	
ELIMINATED FORM ERROR: 25.03.10	GG			AutocAD LT 2009	
SYTH REV RECORD	DATE			File: KK12-0400.dwg	