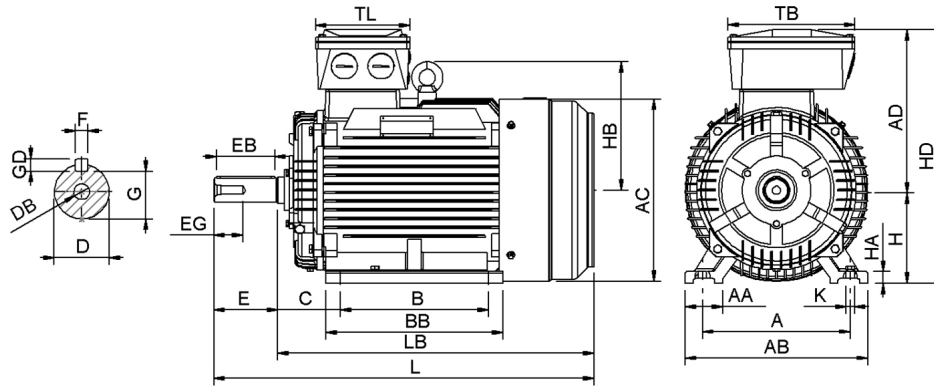


Data Sheet

Itemnumber....: 5521600150



A = 254	AC = 313	BB = 260	DB = M16	EG = 36	GD = 8	HB = 221	L = 610	TL = 162
AA = 65	AD = 276	C = 108	E = 110	F = 12	H = 160	HD = 436	LB = 500	
AB = 314	B = 210	D = 42	EB = 100	G = 37	HA = 20	K = 14,50	TB = 218	

Version

Type.....: HMC3 160M1-2
 Design.....: Induction motor
 Standard series.....: IEC 60034
 Phase / Voltage range.....: 3~ / Low

Electrical design

Efficiency.....: IE3
 Pole.....: 2
 Power at 50 Hz (kW).....: 11,0
 Hz.....: 50
 Voltage.....: 230VD/400VY
 Winding voltage.....: 230VD/400VY 50 Hz
 Power output (kW).....: 11,0
 Duty.....: S1
 Insulation class.....: F
 Temperature rise.....: B

Motor protection

Thermal protection main....: PTC 3x 155 dgr
 Thermal protection second..: None
 Space heater.....: None
 Temperature detector.....: No
 SPM.....: No
 IR wire.....: No
 Tropical insulation.....: No

Explosion protection

According to.....: None
 Type of protection.....: None

General

Direction of rotation.....: CW
 Painting.....: RAL 9005
 Nameplate.....: Multivoltage
 Special packing.....: No
 Special requirements.....: No

Mechanical design

Frame size.....: 160
 Mounting.....: B3
 Rain cap.....: No
 Protection class.....: IP55
 Cooling method.....: IC411/TEFC
 External grounding.....: Yes
 Drain hole.....: Yes
 Frame material.....: Cast Iron
 Material approval.....: None
 Shaft.....: IEC standard
 Key.....: Closed key
 Balancing.....: Half key balancing
 Vibration class.....: Grade-A
 Weight (kg).....: 122

Environment condition

Ambient temp. min. (°C)..: -20
 Ambient temp. max. (°C)..: 40
 Altitude (mtr up to).....: 1000

Bearing

DE Bearing.....: 6309-ZZ/C3
 NDE Bearing.....: 6309-ZZ/C3
 Fixed bearing.....: DE

Terminal box

Tbox position.....: Top
 Cable entry direction.....: Right (from DE)
 Cable entry
 Main.....: 2 x M40x1,5
 Plastic blindcaps
 Accessory.....: 2 x M20x1,5
 Plastic blindcaps
 Terminal board thread.....: 6-M6

Test values

Rotor inertia (kgm²).....: 0,056
 Noise level (dB(A)).....: 78
 No load current (A).....: 5,70
 Winding resist. (ohm).....: 0,21
 Starting time (sec.).....: 0,20
 Temp. rise winding (K).....: 54
 Temp. rise surface (K).....: 37

Rated power (kW)	9,20
Frequency (Hz)	50
Voltage (V)	200 346
Connection	D Y
Full load current (A)	32,0 18,6
Speed (rpm)	2950
Power factor cos(phi)	0,91
Efficiency, 100/75/50 (%)	90,3/ 90,4 /89,1
Efficiency class	IE2
Ist/In	8,15
Full load torque (Nm)	29,5
Tst/Tn	2,12
Tmax/Tn	3,00
Duty	S1
Ambient temp. (°C)	40