

Features:

- Microprocessor based.
- Complete with factory installed heat sink
- SSR is UL & CSA approved and CE certified
- Pulse status LED for servicing & trouble shooting
- Available in 1 phase or 3 phases application
- Selectable digital or analog signal
- Up to 4 stages in digital mode

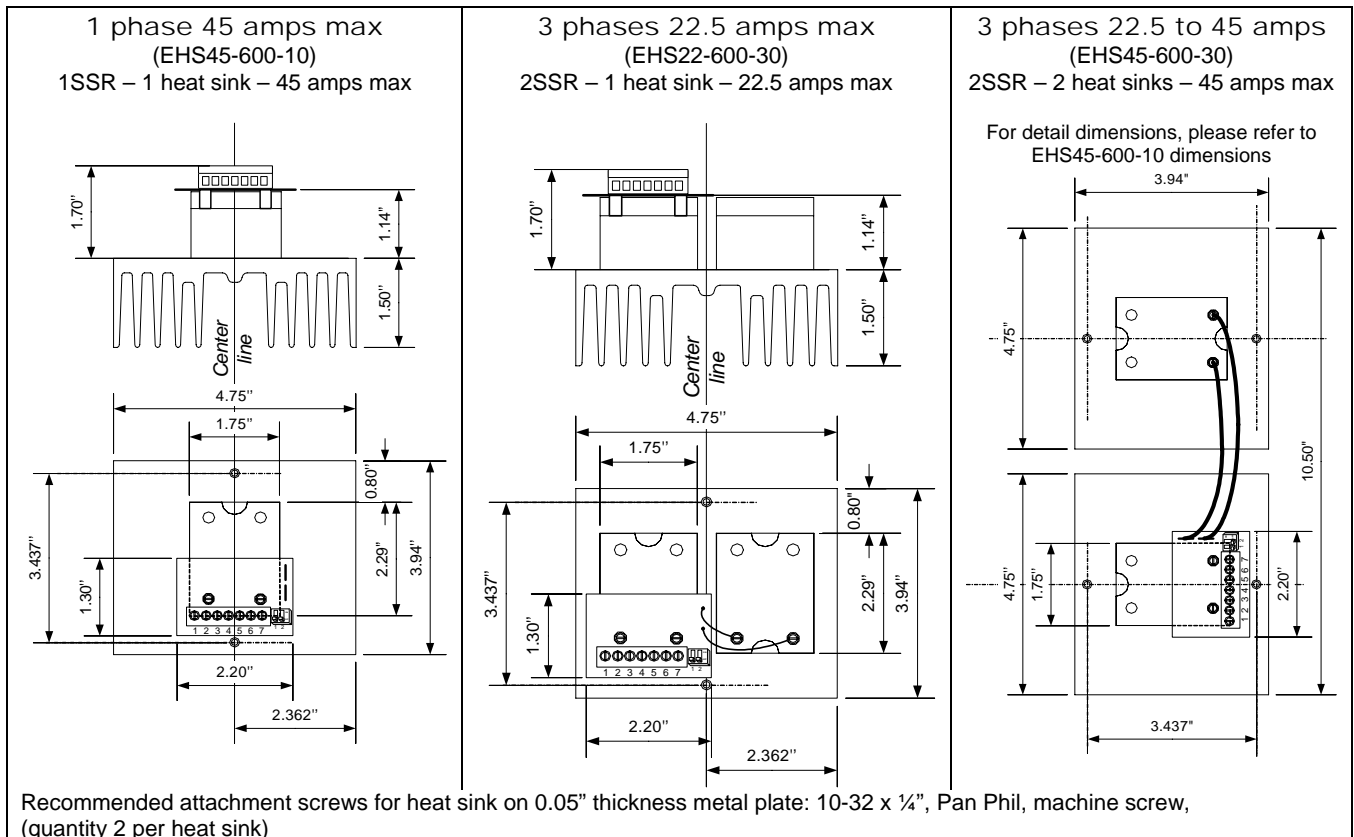
EHS45-600-10

EHS22-600-30

EHS45-600-30

Technical Data	EHS45-600-10	EHS22-600-30	EHS45-600-30
Number of Phase	1 phase (1 SSR - 1 heat sink)	3 phases (2 SSR - 1 heat sink)	3 phases (2 SSR – 2 heat sink)
Max Amperage	45 amps	22.5 amps	45 amps
Max. Power Voltage	600 volts		
Control Voltage	22 to 26 Vac 50/60 Hz		
Power Consumption	2 VA		
Input	0 -10 Vdc, 2-10 Vdc, 0-20 mA, 4-20 mA, pulse AC & DC or 1 to 4 stages		
Operating Temperature	0°C to 80°C [32°F to 176°F]		
Relative Humidity	5 to 95 % non condensing.		
Switching	Zero voltage cross firing		

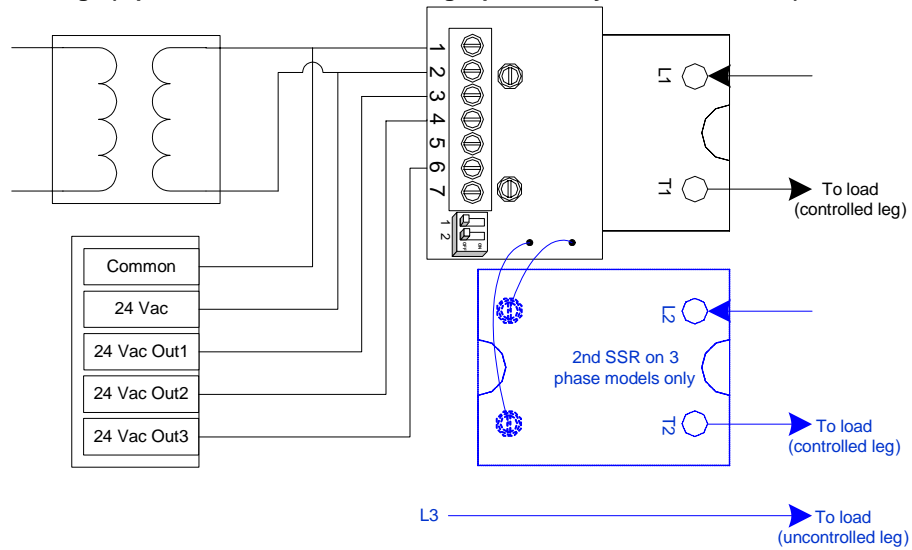
Dimensions



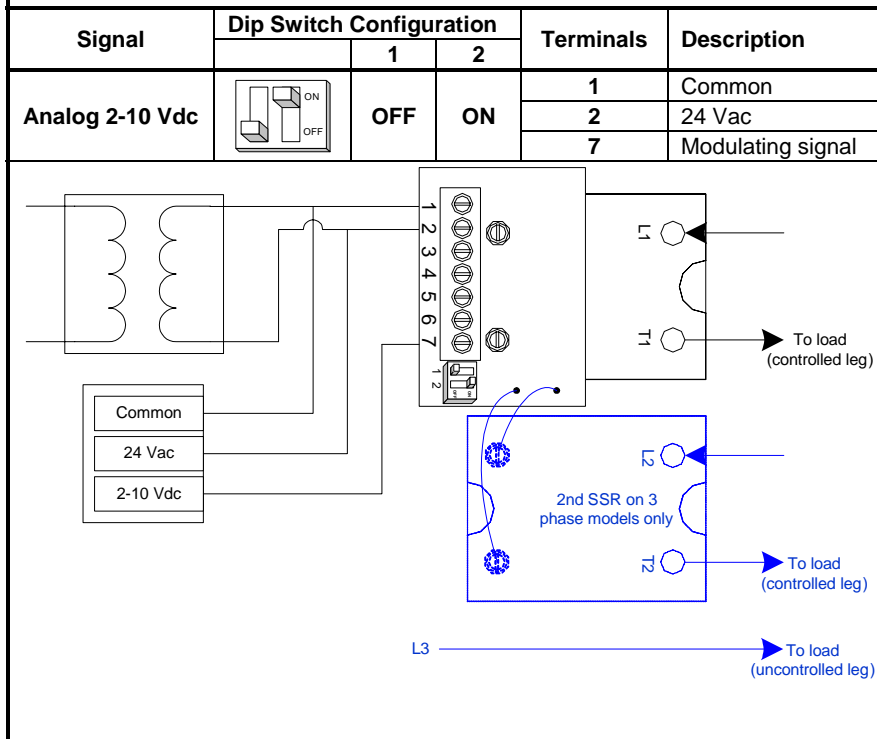
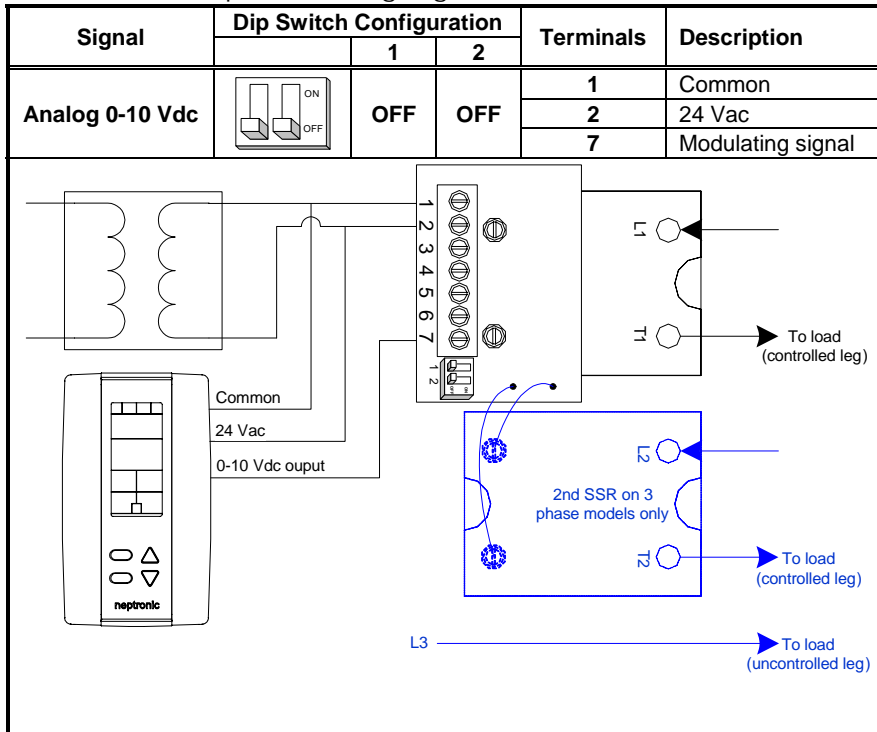
Terminal Description Digital Signal

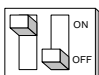
Signal	Terminals	Description
Digital 1 Stage or TPM (minimum period 1 sec.)	1	Common
	2	24 Vac
	6	100%
Digital 2 Stage	1	Common
	2	24 Vac
	4	50%
	6	100%
Digital 3 Stage	1	Common
	2	24 Vac
	3	25%
	4	50%
	6	100%
Digital 4 Stage	1	Common
	2	24 Vac
	3	25%
	4	50%
	5	75%
	6	100%

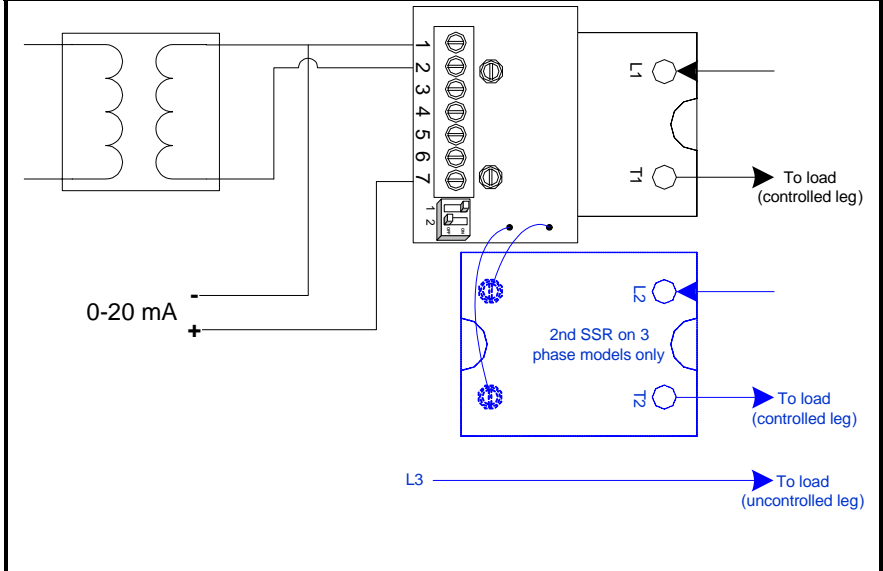
For example, digital 3 stage (3 phases shown below, for single phase, only L1 & T1 are used):

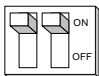


Terminal Description Analog Signal



Signal	Dip Switch Configuration		Terminals	Description	
	1	2			
Analog 0-20 mA		ON	OFF	1	Common
		ON	OFF	2	24 Vac
		ON	OFF	7	Modulating signal



Signal	Dip Switch Configuration		Terminals	Description	
	1	2			
Analog 4-20 mA		ON	ON	1	Common
		ON	ON	2	24 Vac
		ON	ON	7	Modulating signal

