

Electronic Preset Counter with 1 or 2 Presets



NE134



Features

Models	LCD-preset counter with 2 presets, batch counter with/without preset Totalizer
Connection	Incremental encoder One-channel, digital sensor Two-channel digital sensors for difference and parallel counting
Functions	Start count programmable Scaling factor programmable 0.0001...9999.99 Interface RS485 Programmable preset mode: - Step preset - Drag preset

Order designation

Order no.	Interface
0	Without interface
1	RS485
	Outputs
1	Relay outputs
2	Electronic outputs
	Supply voltage
1	24 / 48 VAC
2	115 / 230 VAC
3	12...30 VDC

NE134. AX01

Mechanical data

Display	LCD-display with 2 rows of digits Display backlighting 6-digit real value, 7 mm high 6-digit set value, 4 mm high Programmable decimal point Display suppression of preceding zeroes Measurement units can be progr. in "m", "dm", "cm", "mm", "l"
Operation, keypad	Front membrane with short-stroke keys
Front dimensions	DIN housing 48 x 48 mm
Mounting	Front panel with clip frame
Weight	AC: approx. 260 g DC: approx. 140 g
Connection	Plug-in screw terminals Grid 5.08 mm / 3.81 mm
Core cross-section	Max. 1.5 mm ²
Housing material	Macrolon 6485 (PC) black, UL 94V-0
Keypad membrane material	Polyester

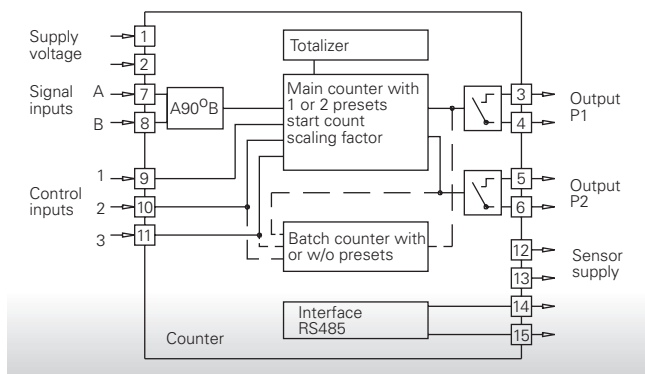
Accessories

Order no.	
Z 118.033	Adapter plate for screw mounting
Z 118.034	Adapter plate for clips mounting
Z 118.035	Adapter plate for clips mounting with big front panel

Ambient conditions

Ambient temperature	0...+50 °C
Storage temperature	-20...+70 °C
Relative humidity	Max. relative humidity 80 %, at 25 °C, non-condensing
Protection	Front IP 65 to DIN 40050
General rating	EN 61010 Part 1 - Protection standard II - Overvolt. protection categ. II - Contamination factor 2
Interference immunity	EN 50082-2
Emitted interference	EN 50081-1

Block diagram



Electrical data

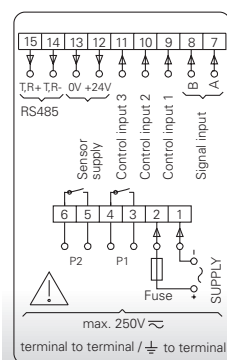
Supply voltage	Choice of two voltages (AC) via switch on device. 115 / 230 VAC $\pm 10\%$ (50 / 60 Hz) 24 / 48 VAC $\pm 10\%$ (50 / 60 Hz) 12...30 VDC $\pm 10\%$, 5 % residual ripple
Power consumption	5 VA, 4 W
Sensor supply	12...26 VDC / 60 mA
Signal inputs	Comparator inputs PNP-, NPN- or AC-logic Voltage level 4...40 V Input resistance 3 kOhm
Counting rate	Main counter: 3 Hz, 25 Hz, 10 kHz Batch counter: max. 20 Hz
Control inputs	3 control inputs for reset, stop, hold, print, keylock etc.
Signal outputs	Programmable as momentary or permanent signals; Impulse time can be programmed 0.01...99.99 s
Relay signal outputs	2 floating relays to be programmed programmed as normally open or normally closed contact Internal spark quenching Max. swit. voltage 250 VAC/110 VDC Max. switch. power 1 A Max. swit. capacity 150 VA / 30 W
Electronic outputs	Max. switch. voltage 50 V Max. switch. power 25 mA
Reset	Manually, electrically or automatically
Data storage	> 10 years via EEPROM
Operation modes	To be programmed as adding or subtracting

Counting mode of signal inputs A / B

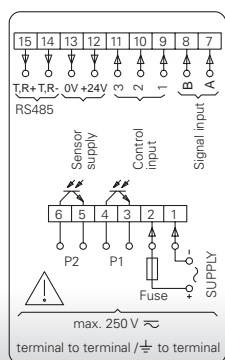
- Up/Down
- Difference, A - B
- Total, A + B
- Phase, A 90° B x1
- Phase, A 90° B x2
- Phase, A 90° B x4

Pin assignments

with relay outputs



with electronic outputs



Dimensions

