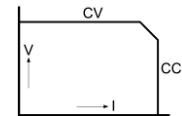
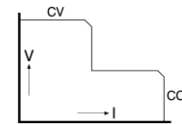




## SM3300 - Series 3300W DC POWER SUPPLIES

One or Three phase input

Models	Voltage range	Current range
SM 18-220	0 - 18 V	0 - 220 A
SM 66-AR-110 Autoranging output	0 - 33 V 0 - 66 V	0 - 110 A 0 - 55 A
SM 100-AR-75 Autoranging output	0 - 50 V 0 - 100 V	0 - 75 A 0 - 37.5 A
SM 330-AR-22 Autoranging output	0 - 165 V 0 - 330 V	0 - 22 A 0 - 11 A
SM660-AR-11 Autoranging output	0 - 330 V 0 - 660 V	0 - 11 A 0 - 5.5 A



### Features

- Designed for long life at full power
- Excellent dynamic response to load changes
- Protected against all overload and short circuit conditions
- EMC surpasses CE requirements: low emission & high immunity
- Low audible noise: fan is temperature controlled
- Available Options : Software control and Interfaces, High Speed Programming, Two-Quadrant Output - PowerSink

### Functionalities

- Operation on single and three phase input voltages
- Standard Ethernet interface
- Large user display, menu driven operations
- Durable digital encoders for voltage and current adjustment
- Plug and play optional interfaces

Your contact:

**Schulz-Electronic**  
Professional Power Supplies

Schulz-Electronic GmbH  
Dr.-Rudolf-Eberle-Straße 2  
D-76534 Baden-Baden  
Fon + 49.7223.9636.0  
Fax + 49.7223.9636.90  
vertrieb@schulz-electronic.de  
www.schulz-electronic.de

	SM 18-220	SM 66-AR-110	SM 100-AR-75	SM 330-AR-22	SM 660-AR-11
<b>DC Power terminals</b> voltage current	0 - 18 V 0 - 220 A	0 - 66 V 0 - 110 A	0 - 100 V 0 - 75 A	0 - 330 V 0 - 22 A	0-660V 0-11 A
<b>AC Input</b> 1 or 3 phase, 48 - 62 Hz rated voltage range rated frequency rated current  current (400 V / 3 ph, 3300W) power factor, 3300W, 1750W	180-528 V 200 - 480 V 50 / 60 Hz Max. 16 A  5.8 A 0.94, 0.92	180-528 V 200 - 480 V 50 / 60 Hz Max. 16 A  5.6 A 0.94, 0.92	180-528 V 200 - 480 V 50 / 60 Hz Max. 16 A  5.6 A 0.94, 0.92	180-528 V 200 - 480 V 50 / 60 Hz Max. 16 A  5.6 A 0.94, 0.92	180-528 V 200 - 480 V 50 / 60 Hz Max. 16 A  5.6 A 0.94, 0.92
<i>Power Derating vs input</i> <i>Single phase:</i> 230 V : P <sub>out</sub> max (W), I <sub>in</sub> (A) 205 V : P <sub>out</sub> max (W), I <sub>in</sub> (A) 180 V : P <sub>out</sub> max (W), I <sub>in</sub> (A)	3050, 16 2650, 16 2300, 16	3100, 16 2700, 16 2400, 16	3100, 16 2700, 16 2400, 16	3200, 16 2800, 16 2400, 16	3200, 16 2800, 16 2400, 16
Three phase 190 V : P <sub>out</sub> max (W), I <sub>in</sub> (A) 180 V : P <sub>out</sub> max (W), I <sub>in</sub> (A)  power factor single phase  internal fuses standby input power (V <sub>o</sub> =I <sub>o</sub> =0) standby input power (V <sub>o</sub> =V <sub>max</sub> )	3300, 12.5 3100, 12.5  0.99  20 AT 30 W 60 W	3300, 12.5 3100, 12.5  0.99  20 AT 30 W 50 W	3300, 12.5 3100, 12.5  0.99  20 AT 30 W 50 W	3300, 12.5 3100, 12.5  0.99  20 AT 30 W 50 W	3300, 12.5 3100, 12.5  0.99  20 AT 30 W 60 W
<b>Efficiency</b> 400 V AC, 3 ph input, full load	89 %	90 %	90 %	91 %	92 %
<b>Regulation</b>					
Load 0 - 100% <b>CV</b> Line 180 - 528 V AC <b>CV</b> (external voltage sense)	2.5 mV 0.2 mV	5 mV 1 mV	5 mV 1 mV	5 mV 3 mV	5 mV 4 mV
Load 0 - 100% <b>CC</b> Line 180 - 528 V AC <b>CC</b> (internal voltage sense, after warm up)	12 mA 3 mA	6 mA 1 mA	2 mA 0.5 mA	1.2 mA 0.2 mA	1.2 mA 0.2 mA
		33 / 66V	50 / 100 V	165 / 330 V	330 / 660 V
<b>Ripple + noise</b> rms (BW=300 kHz) <b>CV</b> p-p (BW=20 MHz) <b>CV</b>  rms (BW=300 kHz) <b>CC</b> p-p (BW=20 MHz) <b>CC</b> CC-ripple at full load	3 mV 12 mV  50 mA 250 mA	7 mV 18 mV  15 / 7.5 mA 90 / 45 mA	7 mV 22 mV  6 / 2 mA 60 / 20 mA	10 mV 50 mV  4.5 / 1.5 mA 24 / 8 mA	15 mV 120 mV  1.8 / 0.6 mA 7.5 / 2.5 mA
<b>Programming &amp; monitoring accuracy</b> (excluding INT MOD ANA) Voltage Current	± 0.1% ± 0.18%	± 0.1% ± 0.25%	± 0.1% ± 0.25%	± 0.1% ± 0.15%	± 0.1% ± 0.15%
<b>Temp. coeff., per °C<sup>-1</sup></b> <b>CV</b> <b>CC</b>			35.10 <sup>-6</sup> 60.10 <sup>-6</sup>		
<b>Stability</b> <sup>1</sup> after 1 hr warm-up during 8 hrs <b>CV</b> <b>CC</b> t <sub>amb</sub> = 25 ± 1 °C, V <sub>in</sub> = 400 VAC (internal voltage sensing for CC-stab.)			6.10 <sup>-5</sup> 9.10 <sup>-5</sup>		

	SM 18-220	SM 66-AR-110	SM 100-AR-75	SM 330-AR-22	SM 660-AR-11
<b>Programming speed</b> <sup>2</sup> Standard Version (resistive load)					
<b>Rise time (10 - 90%)</b> output voltage step time, (load = 3300W) time, (load = 330 W) output voltage step time, (load = 3300W) time, (load = 330 W)	0 → 15 / 18 V 4 / 5.5 ms 2.2 / 2.6 ms - - -	0 → 33 V 1.6 ms 1 ms 0 → 66 V 7 ms 3.7 ms	0 → 50V 3.6 ms 2 ms 0 → 100 V 15 ms 8 ms	0 → 165 V 3.8 ms 2 ms 0 → 330 V 15 ms 8 ms	0 → 330 V 4.2 ms 2.5 ms 0 → 660 V 15 ms 7.5 ms
<b>Fall time (90 - 10%)</b> output voltage step time, (load = 3300W) time, (load = 330 W) output voltage step time, (load = 3300W) time, (load = 330 W)	15 / 18 V → 0 V 6 / 8 ms 52 / 75 ms - - -	33 V → 0 V 3 ms 33 ms 66 V → 0 V 11 ms 100 ms	50 V → 0 V 6 ms 65 ms 100 V → 0 V 26 ms 260 ms	165 V → 0 V 6 ms 65 ms 330 V → 0 V 25 ms 250 ms	330 V → 0 V 6 ms 70 ms 660 V → 0 V 28 ms 270 ms

Notes: 1. Measured at full load. 2. Signal latency depends on the interface used & data traffic. 3. See "Safety instructions" 4. With optional Interface.

Programming speed <sup>2</sup> High Speed Version (resistive load)	SM 18-220 Option P300	SM 66-AR-110 Option P302	SM 100-AR-75 Option P303	SM 330-AR-22 Option P304	SM 660-AR-11 Option P305
<b>Rise time (10 - 90%)</b>					
output voltage step	0 → 15 / 18 V	0 → 33 V	0 → 50V	0 → 165 V	0 → 330 V
time, (load = 3300W)	0.17 / 0.24 ms	0.34 ms	0.46 ms	0.38 ms	0.8 ms
time, (load = 330 W)	0.13 / 0.15 ms	0.33 ms	0.46 ms	0.35 ms	0.7 ms
output voltage step	-	0 → 66 V	0 → 100 V	0 → 330 V	0 → 660 V
time, (load = 3300W)	-	0.44 ms	0.53 ms	1.6 ms	2.8 ms
time, (load = 330 W)	-	0.35 ms	0.47 ms	0.8 ms	2.0 ms
Ripple @ full load Typical (rms / pp)	15 mV / 50 mV	25 mV / 70 mV	35 mV / 120 mV	50 mV / 120 mV	60 mV / 250 mV
<b>Output Capacitance</b> (typical)	750 $\mu$ F	315 $\mu$ F	95 $\mu$ F	31 $\mu$ F	15 $\mu$ F
<b>Fall time (90 - 10%)</b>					
output voltage step	15 / 18 V → 0 V	33 V → 0 V	50 V → 0 V	165 V → 0 V	330 V → 0 V
time, (load = 3300W)	0.19 / 0.27 ms	0.34 ms	0.42 ms	0.45 ms	0.82 ms
time, (load = 330 W)	0.52 / 0.75 ms	1.6 ms	1.4 ms	4.3 ms	8 ms
output voltage step	-	66 V → 0 V	100 V → 0 V	330 V → 0 V	660 V → 0 V
time, (load = 3300W)	-	0.58 ms	0.53 ms	2.1 ms	3.4 ms
time, (load = 330 W)	-	5.7 ms	5 ms	17 ms	30 ms

	SM 18-220	SM 66-AR-110	SM 100-AR-75	SM 330-AR-22	SM 660-AR-11
<b>Recovery time</b> range		33 V / 66 V	50 V / 100 V	165 V / 330 V	330 V / 660 V
recovery within	50 mV	100 mV	100 mV	500 mV	800 / 500 mV
di/dt of load step	2.7 A/ $\mu$ s	1.7 / 0.7 A/ $\mu$ s	1.1 / 0.5 A/ $\mu$ s	0.35 / 0.17 A/ $\mu$ s	0.16 / 0.08 A/ $\mu$ s
output voltage	15V	30V / 60V	45V / 90V	150 / 300 V	300 / 600 V
time, @ 50 - 100% load step	100 $\mu$ s	100 $\mu$ s	100 $\mu$ s	100 $\mu$ s	100 $\mu$ s
max. deviation	250 mV	260 / 180 mV	180 / 80 mV	1.8 / 1.4 V	2.2 / 1.8 V
<b>Output impedance</b>					
CV, 0-1 kHz	< 0.8 m $\Omega$	< 3 m $\Omega$	< 1.8 m $\Omega$	< 30 m $\Omega$	< 60 m $\Omega$
CV, 1-100 kHz	< 12 m $\Omega$	< 25 m $\Omega$	< 18 m $\Omega$	< 250 m $\Omega$	< 600 m $\Omega$
<b>Pulsating load</b>					
max. tolerable AC component of load current					
f > 1 kHz	25 A <sub>rms</sub>	20 A <sub>rms</sub>	11 A <sub>rms</sub>	<i>t.b.d.</i>	<i>t.b.d.</i>
f < 1 kHz	220 A <sub>peak</sub>	110 A <sub>peak</sub>	75 A <sub>peak</sub>	22 A <sub>peak</sub>	11 A <sub>peak</sub>

<b>Insulation</b>					
AC power terminals / DC power term. creepage / clearance		3750 V <sub>rms</sub> (1min.) 8 mm		3750 V <sub>rms</sub> (1min.) 8 mm	3750 V <sub>rms</sub> (1min.) 8 mm
AC power terminals / case DC power terminals / case		2500 V <sub>rms</sub> 1000 V DC <sup>3</sup>		2500 V <sub>rms</sub> 1330 V DC <sup>3</sup>	2500 V <sub>rms</sub> 1400 V DC <sup>3</sup>
<b>Safety</b>	cTUVus / EN 60950 / EN 61010				
<b>EMC Generic Emission Generic Immunity</b>	EN 61326-1, class B equipment (for use in domestic establishments) EN 61326-1, equipment for use in industrial and domestic establishments				
<b>Operating Temperature at full load</b>	-20 to +50 °C derate output to 75% at 60 °C				
<b>Humidity</b>	maximum 95% RH, non condensing, up to 40 °C maximum 75% RH, non condensing, up to 50 °C				
<b>Storage temperature</b>	-40 to +85 °C				
<b>Thermal protection</b>	output shuts down in case of insufficient cooling				
<b>MTBF</b>	500 000 hrs				

	SM 18-220	SM 66-AR-110	SM 100-AR-75	SM 330-AR-22	SM 660-AR-11
<b>Hold-Up time</b> (@ 400 VAC input)					
V <sub>out</sub> = 100%, P <sub>out</sub> = 3300 W	6 ms	12 ms	12 ms	12 ms	12 ms
I <sub>out</sub> = 100%, P <sub>out</sub> = 3300 W	13 ms	13 ms	13 ms	13 ms	13 ms
V <sub>out</sub> = 100%, P <sub>out</sub> = 1750 W	18 ms	24 ms	24 ms	24 ms	24 ms
<b>Turn on delay after mains switch on</b>	1.4 s				
Inrush current	15 A				

Notes: 1. Measured at full load. 2. Signal latency depends on the interface used & data traffic.

3. See "Safety instructions"

4. With optional Interface.

	SM 18-220	SM 66-AR-110	SM 100-AR-75	SM 330-AR-22	SM 660-AR-11
<b>Series operation</b> max. total voltage Master / Slave operation <sup>4</sup>	1000 V <sup>3</sup> yes	1000 V <sup>3</sup> yes	1000 V <sup>3</sup> yes	1330 V <sup>3</sup> yes	1400 V <sup>3</sup> yes
<b>Parallel operation</b> Normal Master / Slave operation <sup>4</sup>	no limit maximum 8 units				
<b>Remote sensing</b> max. voltage drop per load lead	2 V				
<b>Limits</b> <b>Voltage</b> adjust range <b>Current</b> adjust range	0 - 101 % 0 - 101 %				
<b>Potentiometers</b> front panel control with knobs resolution	15 bits				
<b>Meters</b> scale voltage scale current accuracy read output read limit setting	4 digit 0.00 - 18.00 V 0.0 - 220.0 A 0.2% + 2 digit 0.3% + 2 digit	4 digit 0.00 - 66.00 V 0.0 - 110.0 A 0.2% + 2 digit 0.3% + 2 digit	4 digit 0.0 - 100.0 V 0.00 - 75.00 A 0.2% + 2 digit 0.3% + 2 digit	4 digit 0.0 - 330.0 V 0.00 - 22.00 A 0.2% + 2 digit 0.3% + 2 digit	4 digit 0.0 - 660.0 V 0.00 - 11.00 A 0.2% + 2 digit 0.3% + 2 digit

<b>Mounting</b>	stacking of units allowed, air flow is from left to right
<b>AC Terminals</b> (CON D)	screw terminals for wire 2.5 - 4 mm <sup>2</sup> , 3 phase + earth (no neutral)
<b>DC Terminals</b> (CON B1 & B2)	M8 bolts
<b>Programming connectors</b> (LAN)	standard with RJ45-connector for Ethernet at rear panel
<b>Interlock</b> (CON A)	input for contact at rear panel
<b>Cooling</b> audio noise level air flow	low noise blower, fan speed adapts to temperature of internal system ca. 50 dBA at full load, 25 °C ambient temperature, 1 m distance ca. 57 dBA at full load, 50 °C ambient temperature, 1 m distance From left to right
<b>Enclosure</b> degree of protection	IP20
<b>Dimensions</b> front panel: h x w behind front panel: h x w x d	88.1 x 483 mm (19", 2 U) 86 x 448 x 455 mm (excluding feet) with optional interfaces the required depth is 500...530mm
<b>Weight</b>	15 kg

CV = Constant Voltage  
CC = Constant Current

Specifications measured at  
 $t_{amb} = 25 \pm 5 \text{ °C}$  and  $V_{in} = 400 \text{ VAC}$ ,  
50 Hz unless otherwise noted.

The information in this document is  
subject to change without notice.

Notes:

1. Measured at full load.
2. Signal latency depends on the interface used and data traffic.
3. See safety Instructions in the operating manual.
4. With optional 'plug and play' interface.

### Typical Applications

- Solar inverter testing, PV-Simulation
- Automotive battery simulations
- Driving PWM-Controlled DC motors
- Car testing systems
- Controlled battery (dis)charging
- Accurate current sources
- ATE in industrial production lines
- Lasers
- Aerospace and military equipment
- Plasma chambers
- Sustainable energy

### Standard Features



#### Digital CV- and CC-Settings

Reliable, long-life digital encoders are implemented at the front panel. Includes total front panel lock (also for CV- / CC-knobs) and a coarse or fine pitch adjustment depending on the turning speed.



#### Ethernet Interface

Ethernet interface for programming and monitoring



#### Sequencer

Arbitrary Waveform generator or standalone automation.



#### High Voltage Isolation

A high DC output isolation allows floating operation up to 1000 V for SM18-220, SM66-AR-110 and SM100-AR-75, and up to 1330V and 1400 V for SM330-AR-22 and SM660-AR-11.



#### USB-Input

Not yet available: Front and rear panel USB-Input for exchange of settings and waveforms (Host / Type-A).

### Options



#### Software control and Interfaces

Field installable interfaces:

- Master / Slave controller
- Isolated Contacts
- Serial controller with multiple protocols: RS 232, RS 485, RS 422 and USB (Device)
- Digital I/O
- Isolated Analog Programming
- Simulation interface

Order Codes :

- INT MOD M/S
- INT MOD CON
- INT MOD SER
- INT MOD DIG
- INT MOD ANA
- INT MOD SIM



#### High Speed Programming

A 10 to 20 times higher programming speed (down to 0.2ms rise time at full load) and lower output capacitance. Excellent for laser applications, test systems or as current source with low parallel capacitance as used in plasma chambers.

Order Codes :

- SM 18-220 – P300
- SM 66-AR-110 – P302
- SM 100-AR-75 – P303
- SM 330-AR-22 – P304
- SM 660-AR-11 – P305

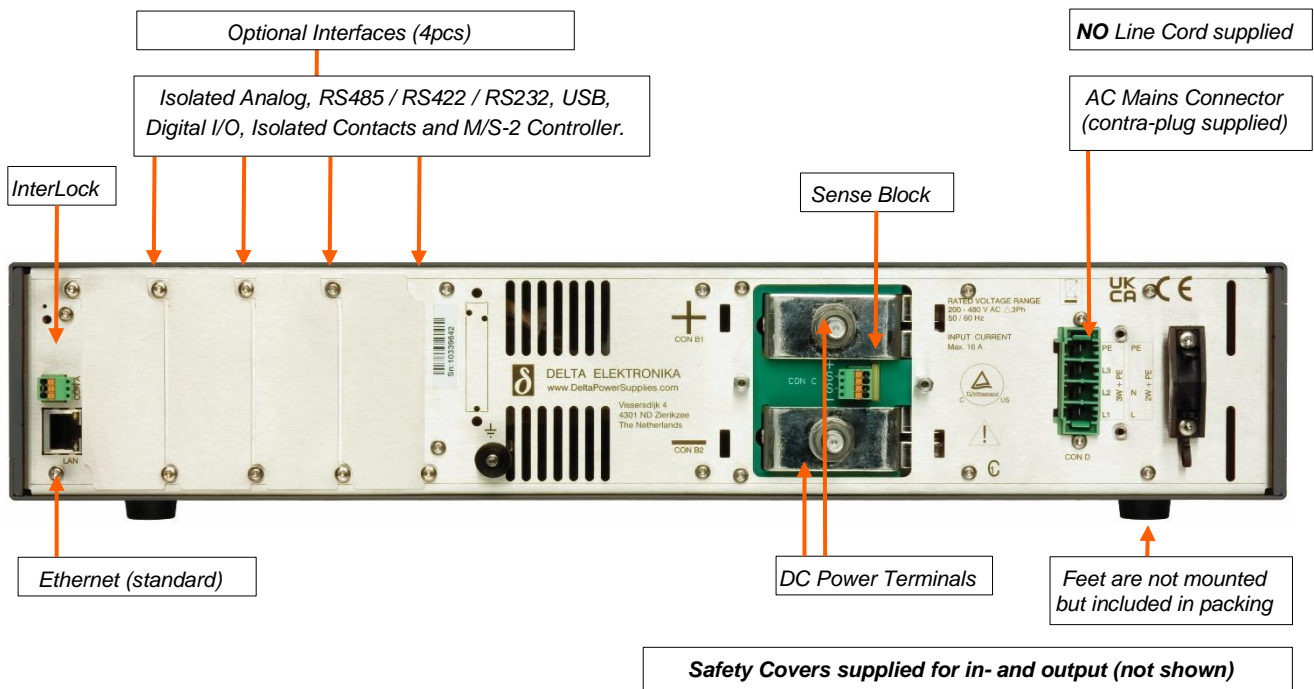


#### Two-Quadrant Output Power Sink

Two quadrant operation maintains the DC output voltage constant regardless the output power is positive or negative. Ideal for PWM-speed controlled DC-Motors and ATE systems.

Order Codes :

- SM 18-220 – P306
- SM 66-AR-110 – P308
- SM 100-AR-75 – P309
- SM 330-AR-22 – P310
- SM 660-AR-11 – P311



Your contact:

**Schulz-Electronic**  
Professional Power Supplies

Schulz-Electronic GmbH  
 Dr.-Rudolf-Eberle-Straße 2  
 D-76534 Baden-Baden  
 Fon + 49.7223.9636.0  
 Fax + 49.7223.9636.90  
 vertrieb@schulz-electronic.de  
 www.schulz-electronic.de