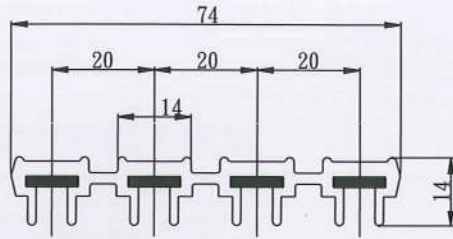
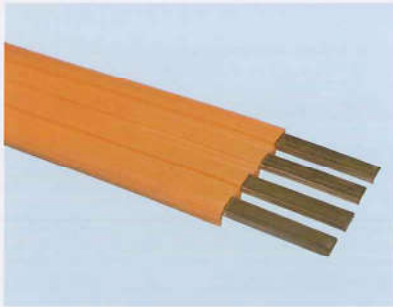
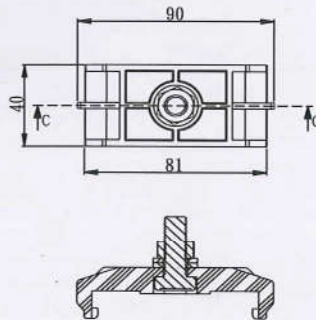


4P Safety power rail

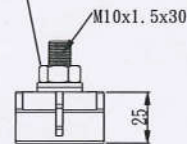


OFC 3N (99.9% ,good conductivity)

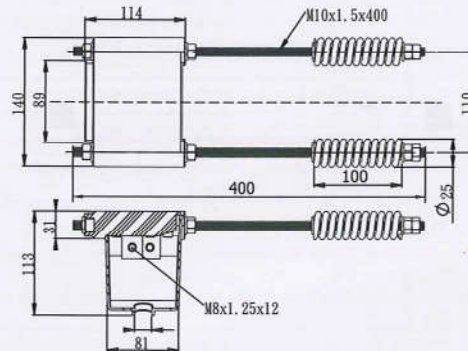
4P (Phase) Safety Power Rail				
Type	Capacity (A)	Thickness (mm)	Width (mm)	Weight (Kg/m)
KY-AN4007	75	2	10	1.1
KY-AN4010	100	2.8	10	1.4



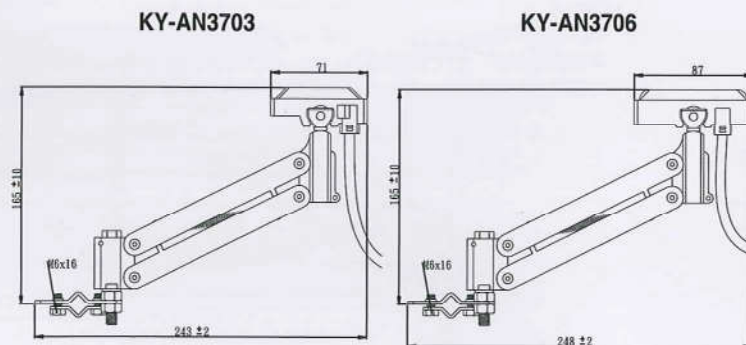
Use with C Track Support and C Plate M10 Nut 30×20×5



KY-AN4100
4P Hanger Clamp
0.083 kg / pc

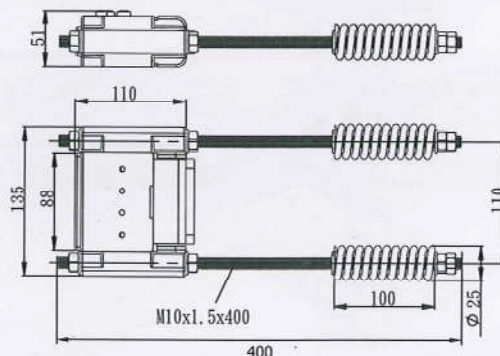
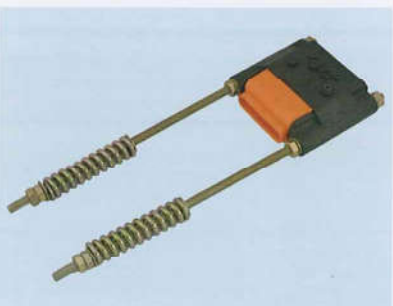


KY-AN4200
End Tension & Power in
1.74 kg / pc



KY-AN3703
30A Current Collector
0.24 kg / pc

KY-AN3706
60A Current Collector
0.27 kg / pc



Power rail PVC peel free!

KY-AN4200N
End Tension & Power in
1.28 kg / pc