

GE3

3-WAY HIGH PRESSURE BALL VALVES

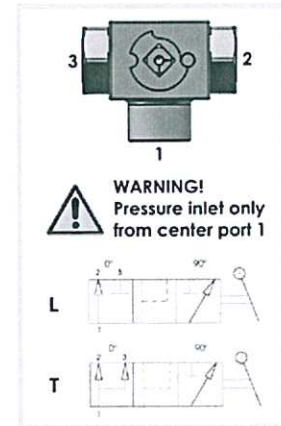
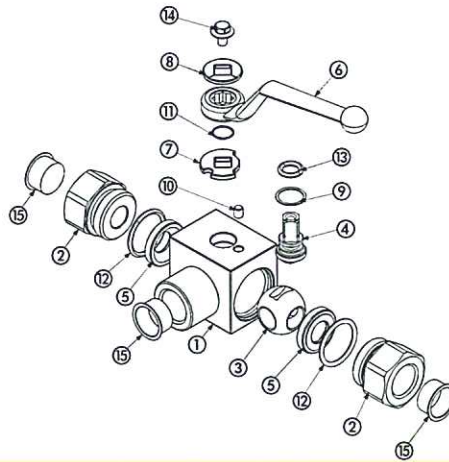
CARBON STEEL

- Type: ball valve GE 3 way
- Body: block
- Ball seats: from DN4 up to DN25
- Operating pressure: 500 Bar
depending on valve size and seal materials selected
- Temp range: -20°C to +100°C
depending on seal material selected

STAINLESS STEEL

- Type: ball valve GE 3 way
- Body: block
- Ball seats: from DN4 up to DN25
- Operating pressure: 500 Bar
depending on valve size and seal materials selected
- Temp range: -30°C to +100°C
depending on seal material selected





CARBON STEEL

POS	DESCRIPTION	MATERIAL	Q.TY
1	Body	1,0737	1
2	Adapter	1,0737	2
3	Ball	1,0737	1
4	Stem	1,0737	1
5	Ball seat	POM	2
6	Handle	ZINC	1
7	Washer	1,0116	1
8	Washer	1,0116	1
9	Stem ring	POM	1
10	Spine	1,0737	1
11	Seeger	1,4301	1
12	Adapter o-ring	NBR	2
13	Stem o-ring	NBR	1
14	Screw	Din 6921 8.8	1
15	Caps	PVC	3

CARBON STEEL

GE3		G½		DN13		1	1	1	1	A	B	
TYPE AND WAY OF VALVE	GAS DIN/ ISO 228 BSP	NPT ANSI/ ASME B1.20.1	SAE J1926-1	DIN 2353 HEAVY SERIES	DIN 2353 LIGHT SERIES	NOMINAL DIMENSION	BODY MATERIAL	ADAPTER MATERIAL	STEM MATERIAL	BALL MATERIAL	BALL SEAT MATERIAL	ADAPTER AND STEM SEAL MATERIAL
GE3 3-way	G ½	N ¾	SAE4	8S	6L	DN4	1,1,0737	1,1,0737	1,1,0737	1,1,0737	A POM	B NBR
	G ¼	N ¼	SAE6	10S	8L	DN6			4 1,4404*	4 1,4404*	D PEEK*	E FKM*
	G ¾	N ¾	SAE8	12S	10L	DN10					G PA612*	F EPDM*
	G ½	N ½	SAE12	14S	12L	DN13					K GEMPIFE*	L MVQ*
	G ¾	N ¾	SAE16	16S	15L	DN20					C PTFE*	
	G 1 ¼ R	N 1 ¼ R	SAE20R	20S	18L	DN25						
	G 1 ½ R	N 1 ½ R	SAE24R	25S	22L							
				30S	28L							
				38S	35L							
					42L							

STAINLESS STEEL

POS	DESCRIPTION	MATERIAL	Q.TY
1	Body	1,4404	1
2	Adapter	1,4404	2
3	Ball	1,4404	1
4	Stem	1,4404	1
5	Ball seat	POM	2
6	Handle	ZINC	1
7	Washer	1,4301	1
8	Washer	1,4301	1
9	Stem ring	POM	1
10	Spine	1,4301	1
11	Seeger	1,4301	1
12	Adapter o-ring	NBR	2
13	Stem o-ring	NBR	1
14	Screw	Din 6921 A2	1
15	Caps	PVC	3

STAINLESS STEEL

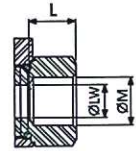
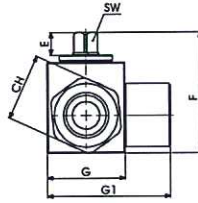
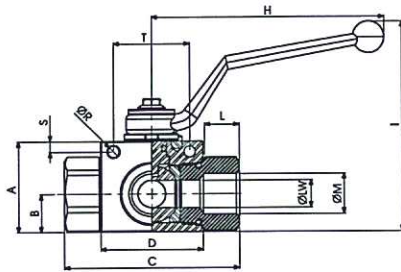
GE3		G½		DN13		4	4	4	4	A	B	
TYPE AND WAY OF VALVE	GAS DIN/ ISO 228 BSP	NPT ANSI/ ASME B1.20.1	SAE J1926-1	DIN 2353 HEAVY SERIES	DIN 2353 LIGHT SERIES	NOMINAL DIMENSION	BODY MATERIAL	ADAPTER MATERIAL	STEM MATERIAL	BALL MATERIAL	BALL SEAT MATERIAL	ADAPTER AND STEM SEAL MATERIAL
GE3 3-way	G ½	N ¾	SAE4	8S	6L	DN4	4 1,4404	4 1,4404	4 1,4404	4 1,4404	A POM	B NBR
	G ¼	N ¼	SAE6	10S	8L	DN6					D PEEK*	E FKM*
	G ¾	N ¾	SAE8	12S	10L	DN10					G PA612*	F EPDM*
	G ½	N ½	SAE12	14S	12L	DN13					K GEMPIFE*	L MVQ*
	G ¾	N ¾	SAE16	16S	15L	DN20					C PTFE*	
	G 1 ¼ R	N 1 ¼ R	SAE20R	20S	18L	DN25						
	G 1 ½ R	N 1 ½ R	SAE24R	25S	22L							
				30S	28L							
				38S	35L							
					42L							

*On request: • Reduced bore
• Special threads

• Pressure class up to PN40 MPa
• Pneumatic and electrical actuator

• Security block
• Locking device

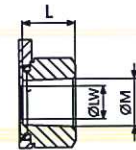
For further special requests please consult our technical/commercial service



GE3 DIN/ISO 228 BSP

Fixing holes

TYPE	PN	DN	A	B	C	D	E	F	G	G1	H	I	L	OM	CH	ØR	S	T	SW	ØLW	KG	CARBON STEEL	STAINLESS STEEL
																						ITEM CODE	ITEM CODE
GE3 G 1/8	50 MPa	4	35	14,5	71	42,4	11	49	30	48,5	110	91,5	11	G 1/8	24	5,25	4,5	34	9	4	0,558	GE3GGT04011AF10	GE3GGT04044AF10
GE3 G 1/4	50 MPa	6	35	14,5	71	42,4	11	49	30	48,5	110	91,5	15,5	G 1/4	24	5,25	4,5	34	9	6	0,536	GE3GGT14011AF10	GE3GGT14044AF10
GE3 G 3/8	50 MPa	10	40	17,4	73	44,4	11	54,25	35	54,5	110	96,5	15,5	G 3/8	30	5,25	4,5	34	9	10	0,695	GE3GGT24011AF10	GE3GGT24044AF10
GE3 G 1/2	50 MPa	13	43	18	83	48,4	11	57	37	58,5	110	99,5	17	G 1/2	32	5,25	5	36	9	13	0,825	GE3GGT33011AF10	GE3GGT33044AF10
GE3 G 3/4	42/40 MPa	20	57	23,4	95	62,5	14	73,5	49	75	180	106,5	21	G 3/4	41	6,25	6	50	14	20	1,583	GE3GGT44011AF10	GE3GGT43044AF10
GE3 G 1	42/35 MPa	25	65	29,5	112	66,5	14	83,5	55	89	180	116,5	24	G 1	50	6,25	6	50	14	25	2,421	GE3GGT53011AF10	GE3GGT53044AF10
GE3 G 1 1/4 R	35 MPa	25	65	29,5	120	66,5	14	83,5	55	89	180	116,5	24	G 1 1/4	55	6,25	6	50	14	25	2,601	GE3GGR63011AF10	GE3GGR63044AF10
GE3 G 1 1/2 R	35 MPa	25	65	29,5	124	66,5	14	83,5	55	89	180	116,5	24	G 1 1/2	60	6,25	6	50	14	25	2,756	GE3GGR73011AF10	GE3GGR73044AF10



GE3 ANSI/ASME B1.20.1 NPT

Fixing holes

TYPE	PN	DN	A	B	C	D	E	F	G	G1	H	I	L	OM	CH	ØR	S	T	SW	ØLW	KG	CARBON STEEL	STAINLESS STEEL
																						ITEM CODE	ITEM CODE
GE3 N 1/8	50 MPa	4	35	14,5	71	42,4	11	49	30	48,5	110	91,5	11	N 1/8	24	5,25	4,5	34	9	4	0,558	GE3NNT04011AF10	GE3NNT04044AF10
GE3 N 1/4	50 MPa	6	35	14,5	71	42,4	11	49	30	48,5	110	91,5	15,5	N 1/4	24	5,25	4,5	34	9	6	0,536	GE3NNT14011AF10	GE3NNT14044AF10
GE3 N 3/8	50 MPa	10	40	17,4	73	44,4	11	54,25	35	54,5	110	96,5	15,5	N 3/8	30	5,25	4,5	34	9	10	0,695	GE3NNT24011AF10	GE3NNT24044AF10
GE3 N 1/2	50 MPa	13	43	18	83	48,4	11	57	37	58,5	110	99,5	17	N 1/2	32	5,25	5	36	9	13	0,825	GE3NNT33011AF10	GE3NNT33044AF10
GE3 N 3/4	42/40 MPa	20	57	23,4	95	62,5	14	73,5	49	75	180	106,5	21	N 3/4	41	6,25	6	50	14	20	1,583	GE3NNT44011AF10	GE3NNT43044AF10
GE3 N 1	42/35 MPa	25	65	29,5	112	66,5	14	83,5	55	89	180	116,5	24	N 1	50	6,25	6	50	14	25	2,421	GE3NNT53011AF10	GE3NNT53044AF10
GE3 N 1 1/4 R	35 MPa	25	65	29,5	120	66,5	14	83,5	55	89	180	116,5	24	N 1 1/4	55	6,25	6	50	14	25	2,601	GE3NNR63011AF10	GE3NNR63044AF10
GE3 N 1 1/2 R	35 MPa	25	65	29,5	124	66,5	14	83,5	55	89	180	116,5	24	N 1 1/2	60	6,25	6	50	14	25	2,756	GE3NNR73011AF10	GE3NNR73044AF10