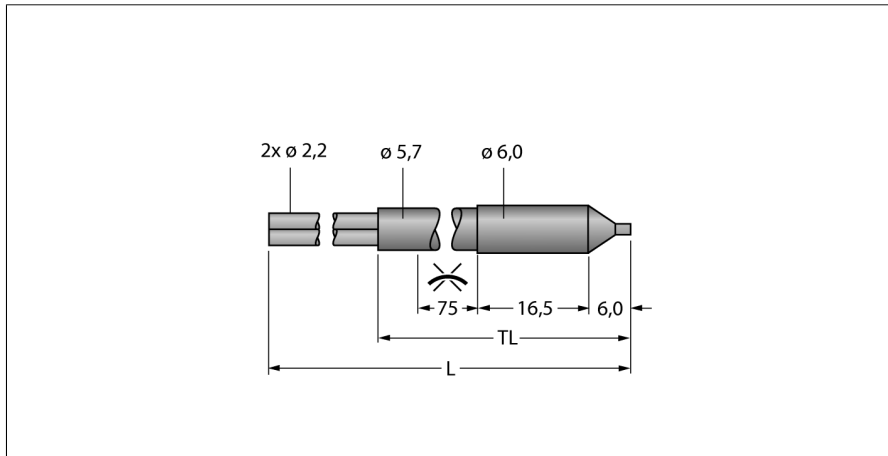


**Plastic Fiber
Bifurcated Fiber
PBE46UTMLLP**



- Operating mode: Diffuse/Retroreflective
- For detecting filling levels
- Polyethylene jacket, flexible
- Operating temperature: -30...+85 °C
- Male end, pluggable
- End sleeve for sensor, encapsulated
- Optical fiber, core diameter 1.0 mm
- Optical fiber, total length: ± 1829 mm

Functional principle

Glass or plastic fibers are the optimum choice for high-temperature applications and limited spaces. They transfer the light from the sensor to a remote object. Individual fibers are used for opposed mode sensing, whereas bifurcated fibers are suited for retroreflective or diffuse mode operation.

Type designation	PBE46UTMLLP
Ident no.	3048056
Function	Diffuse mode sensor
Ambient temperature	-30...+85 °C
Design	Circular
Dimensions	1828 mm
Housing material	Plastic, PE, Black
Special features	Chemical-resistant Filling level detection Resistant to chemicals