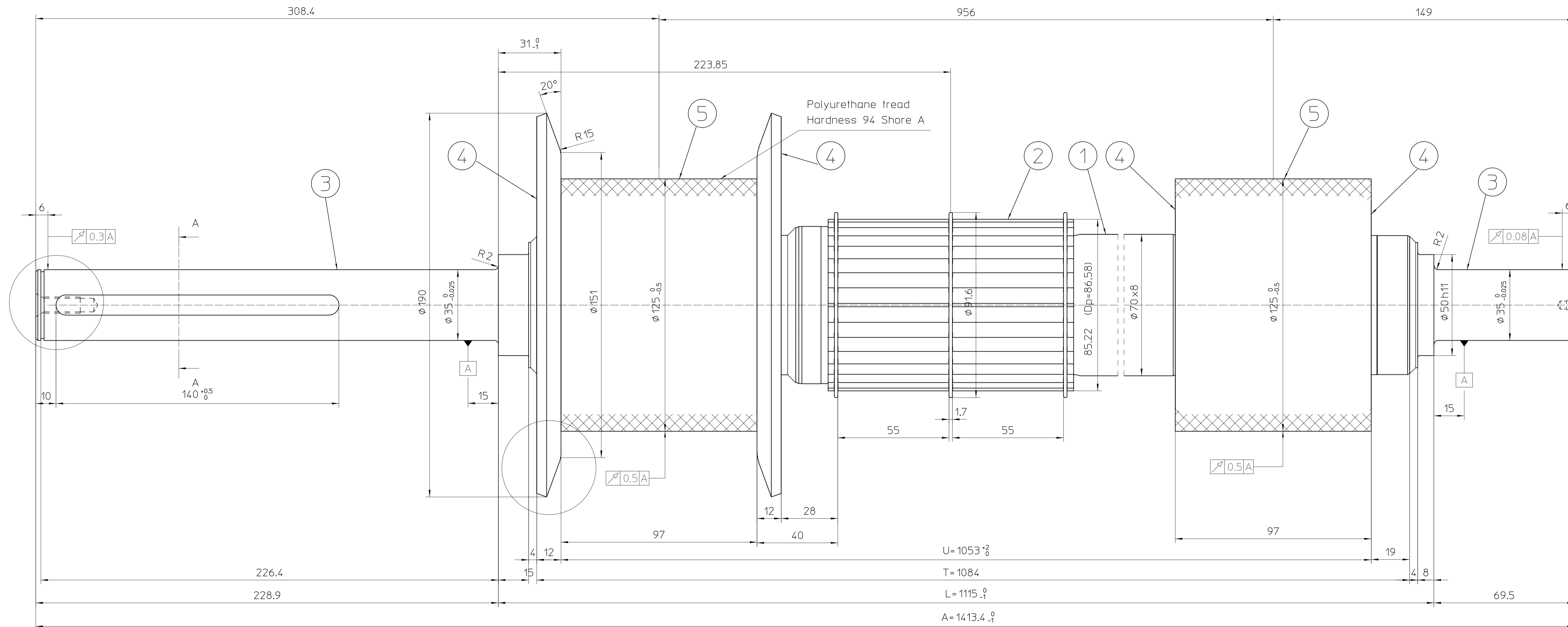


Scala 2.5:1

Coating must not have detectable traces of silicone.



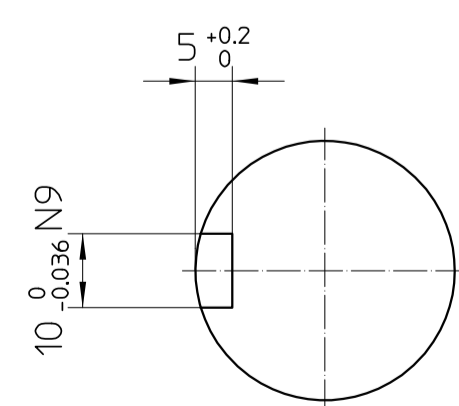
Polyurethane tread
Hardness 94 Shore A

U = 1053⁺²₀

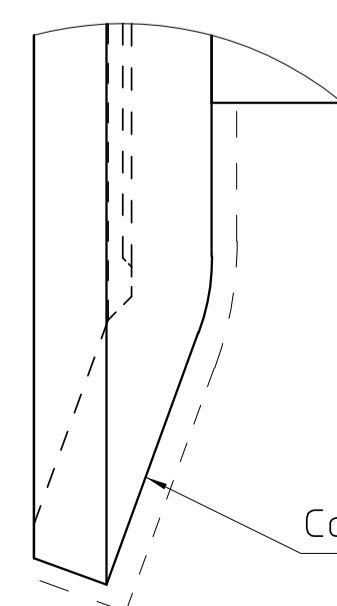
T = 1084

L = 1115⁰₋₁

A = 1413.4⁰₋₁



1	Pipe dia. 70x8 mm EN 10025-S235 or similar/higher.
2	Pulley Z34 HTD 8M-50 Dp=86.58 De=85.22 EN10025-S235 or similar/higher and snap rings SP85 DIN 5417
3	Spindle dia. 35/50x69,5 mm EN 10025-S355 and spindle 35/50x228,9 EN 10025-S355 threaded hole M8x22 and keyway 140x10x5.
4	Flange dia. 190x6 (hardened) and flange dia. 103x5 mm made by EN 10111 DD11 or similar/higher.
5	Polyurethane coating hardness 95 +/-3 Shore A.



Carbonitriding thickness 0,4 mm HRC 50/63

DRAWING FOR CUSTOMER

PATENT NR. US9359145
PATENT NR. EP2985245
PATENT NR. IT0001429410

DENOMINAZIONE D125/70x10/35 Z34 HTD 8M-50 POWER ROLLER POLIURETHANE COATED-D183 HARDENED FLANGES		TOLLERANZE DIM. E FORMA: 1268-01-00 1268-03-00 SALDATURE: 1267-01-00	
DUGOMRULLI Moving solutions		DIS. Rizza DATA 02/12/14 CONTR. Rizza APPROV. Rizza	SCALA 1:1 PESO - FORM. A1
VIA LINEVOBILI-20069 ZOLA PREDOSA (BO) TEL.051/755406-TELEFAX051/759989		DIS.N. 332210V M8	DATA 02/12/14 3466 01 21/05/15 3678 02 15/02/17 3996 03 15/05/19 4430
SOSTITUISCE -		MODIFICHE	

A norma di legge il presente disegno non può essere riprodotto od in qualsiasi modo comunicato a terzi senza nostra autorizzazione scritta