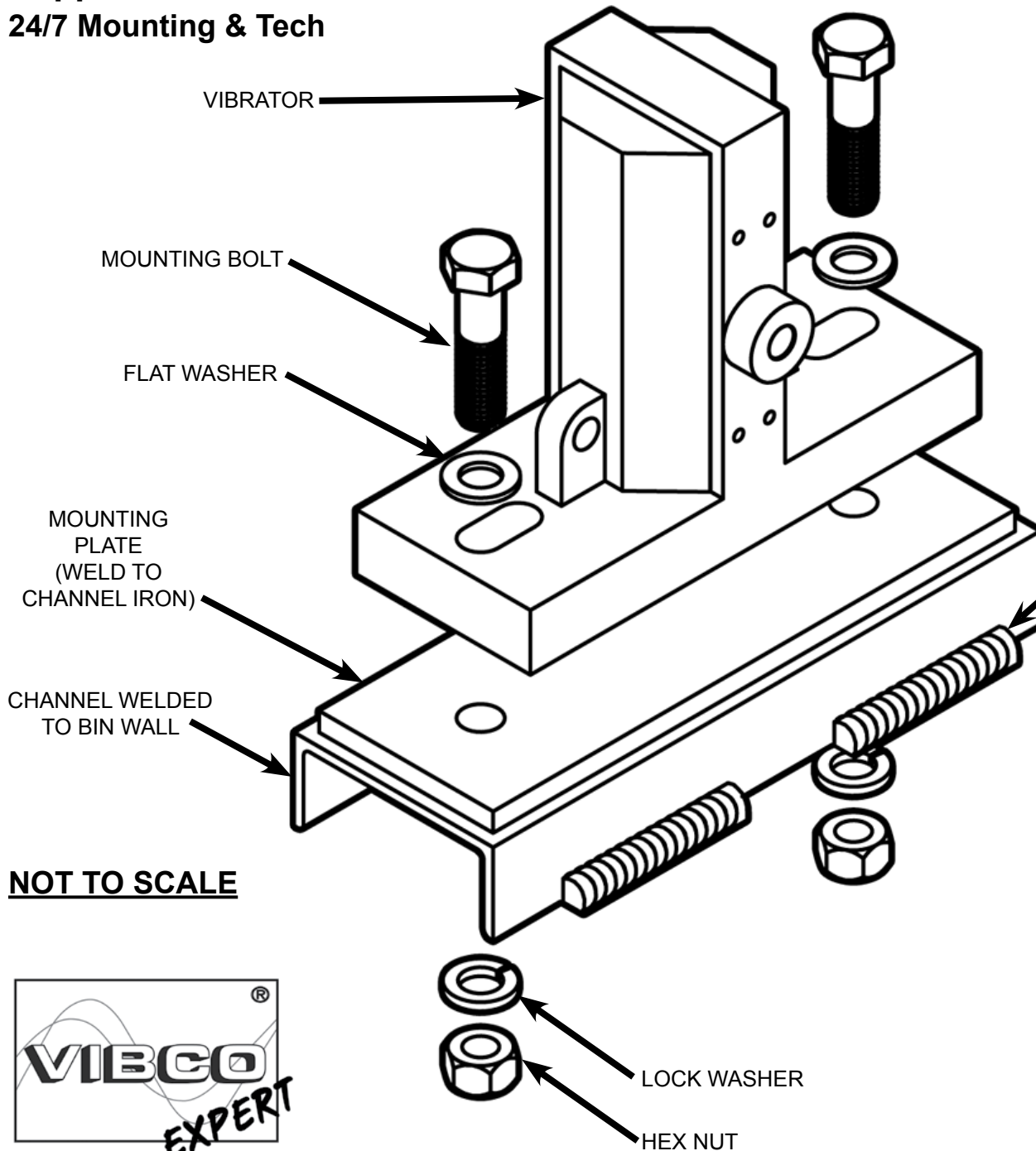


BOLT MOUNT

Support Hotline: [800-633-0032](tel:800-633-0032)
24/7 Mounting & Tech

Model 55 Series Piston Vibrator



! Mounting Plate and Channel Iron are each sold separately. Length of mounting channel sized by application requirements and force output of vibrator. Please consult factory to determine channel length if necessary.

Stitch weld channel to bin (start 1" from end of channel iron with 3" welds & 3" gaps)

NOT TO SCALE



We're The Vibrator Guys.™

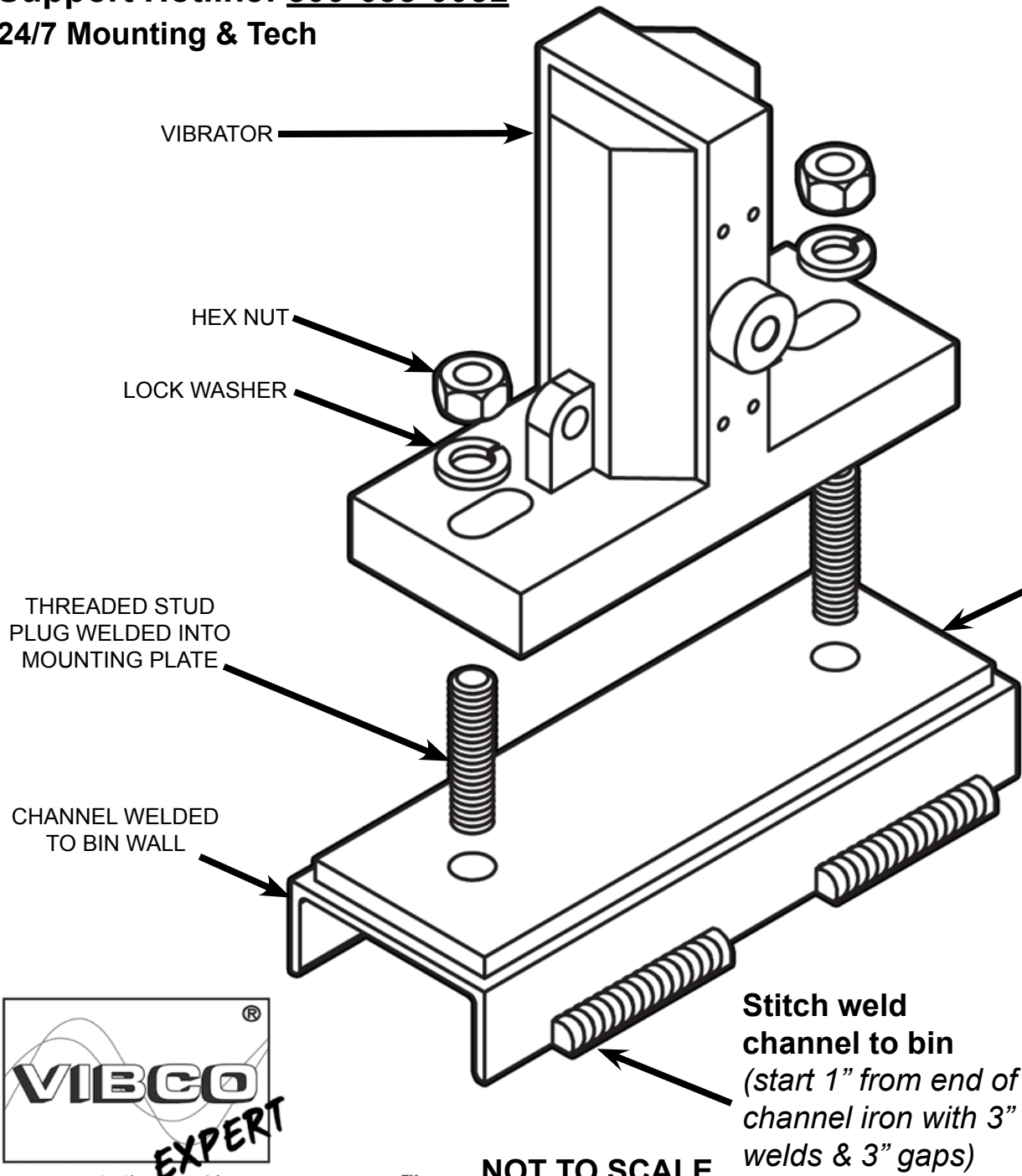
** VIBRATOR	BOLT SIZE	BOLT LENGTH	MTG PLATE NO
55-1	1/2-13	1 1/2	PM-10
55-1S	1/2-13	1 1/2	PM-10
55-1-EM	1/2-13	1 1/2	PM-10
55-1S-EM	1/2-13	1 1/2	PM-10
55-1-1/4	1/2-13	1 3/4	PM-11
55-1-1/4S	1/2-13	1 3/4	PM-11
55-1-1/4-EM	1/2-13	1 3/4	PM-11
55-1-1/4S-EM	1/2-13	1 3/4	PM-11
55-1-1/2	5/8-11	2 1/4	PM-12
55-1-1/2S	5/8-11	2 1/4	PM-12
55-1-1/2-SP	5/8-11	2 1/4	PM-12
55-1-1/2S-SP	5/8-11	2 1/4	PM-12
55-1-1/2SEM-SP	5/8-11	2 1/4	PM-12

** CLICK on model number for more info!

STUD MOUNT

Support Hotline: [800-633-0032](tel:800-633-0032)
24/7 Mounting & Tech

Model 55 Series Piston Vibrator



Mounting Plate and Channel Iron are each sold separately. Length of mounting channel sized by application requirements and force output of vibrator. Please consult factory to determine channel length if necessary.

** VIBRATOR	STUD SIZE	STUD LENGTH	MTG PLATE NO
55-1	1/2-13	1 1/2	PM-10
55-1S	1/2-13	1 1/2	PM-10
55-1-EM	1/2-13	1 1/2	PM-10
55-1S-EM	1/2-13	1 1/2	PM-10
55-1-1/4	1/2-13	1 3/4	PM-11
55-1-1/4S	1/2-13	1 3/4	PM-11
55-1-1/4-EM	1/2-13	1 3/4	PM-11
55-1-1/4S-EM	1/2-13	1 3/4	PM-11
55-1-1/2	5/8-11	2 1/4	PM-12
55-1-1/2S	5/8-11	2 1/4	PM-12
55-1-1/2-SP	5/8-11	2 1/4	PM-12
55-1-1/2S-SP	5/8-11	2 1/4	PM-12
55-1-1/2SEM-SP	5/8-11	2 1/4	PM-12



We're The Vibrator Guys.™

NOT TO SCALE

Stitch weld channel to bin
(start 1" from end of channel iron with 3" welds & 3" gaps)

** CLICK on model number for more info!

REV-002-13