



ELECTRICAL ACTUATORS

Electrical actuators

"EA" ON-OFF rotary type

features

dimensions

codes

operating diagrams



Features

TECHNICAL DATA

Nominal working angle: 90°, adjustable between 20° and 95°

Type of setting: continuously by means of self-locking cams and electromechanical limit-switches

Nominal working torque: from 35 to 240 Nm

Operation time (0° - 90°): see diagram

Service: S3 ED 50% in compliance with CEI 60043

Applicable regulations: Low Voltage Directive 2006/95/CE; Electromagnetic Compatibility Directive 2004/108/CE

Enclosure: IP67 in compliance with EN60529

Working temperature: -25° +60°C

Storage temperature: -40° +90°C

Motor built-in auto-reset thermostatic protection

Motor with Class F insulation (155°C)

Rotor supported by ball bearings

Connection for emergency manual lever (hexagonal wrench in equipment)

External visual position indicator with graduated top

Space heater (standard)

IP67 connectors also available with pre-wired cable

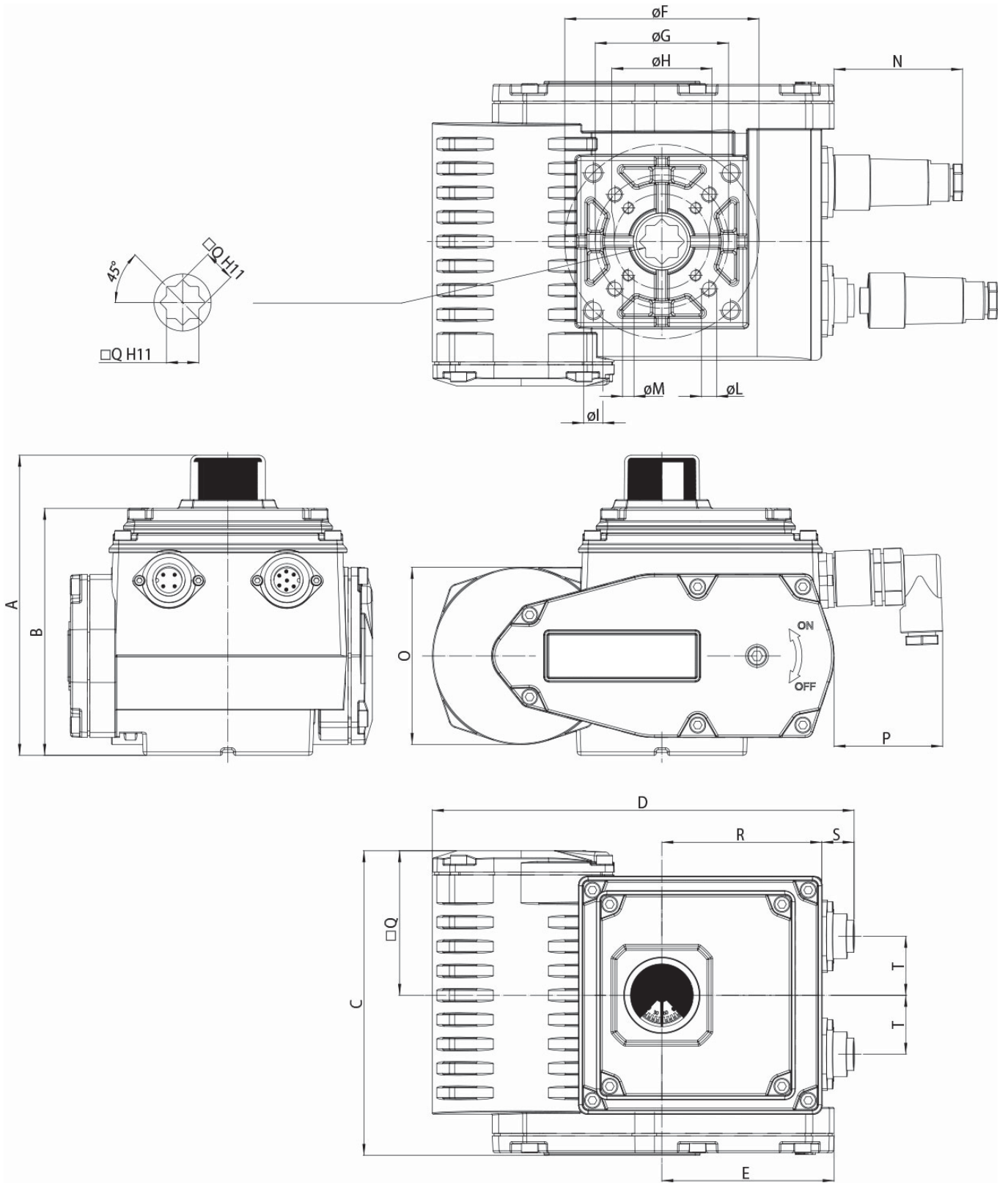
No. 2 SPDT auxiliary electromechanical limit switches with cams adjustable all along the stroke

Maximum working noise: <70 dB

Supply voltage: 230 Vac 50/60 Hz ±10% monophasic; 115 Vac 50/60 Hz ±10% monophasic; 24V ac/dc ±10%; 24V dc ±5%

TORQUE TABLE

MODEL	EA0035	EA0070	EA0130	EA0240
Nominal working torque Nm	35	70	130	240
Maximum peak torque Nm	45	85	160	280



	A	B	C	D	E	$\varnothing F$	$\varnothing G$	$\varnothing H$	$\varnothing I$	$\varnothing L$	$\varnothing M$	N	O	P	$\square Q$	R	S	T	U	Kg
EA0035	137	109	132	190	84	70	50	36	M8	M6	M5	70	74	59	14	69	18	26	67.5	3.6
EA0070	137	109	136	190	84	70	50	--	M8	M6	--	70	74	59	14	69	18	26	67.5	3.8
EA0130	157.5	129.5	160	221.5	93	102	70	50	M10	M8	M6	67.5	90.5	57	17	84	17	31	76	7.2
EA0240	157.5	129.5	163.5	221.5	93	102	70	--	M10	M8	--	67.5	90.5	57	22	84	17	31	76	7.5


CODICI DI ORDINAZIONE ATTUATORE ACTUATORS ORDERING CODES
EA - - - - - **00**
Coppia Torque

0035 = 35 Nm
0070 = 70 Nm
0130 = 130 Nm
0240 = 240 Nm

Alimentazione elettrica Voltage

A4 = 115 Vac 50/60 Hz
 A5 = 230 Vac 50/60 Hz
 U2 = Vac/dc universale *universal*
 C2 = 24 Vdc

Connettore

C0 = connettore diritto
P0 = connettore a pipa

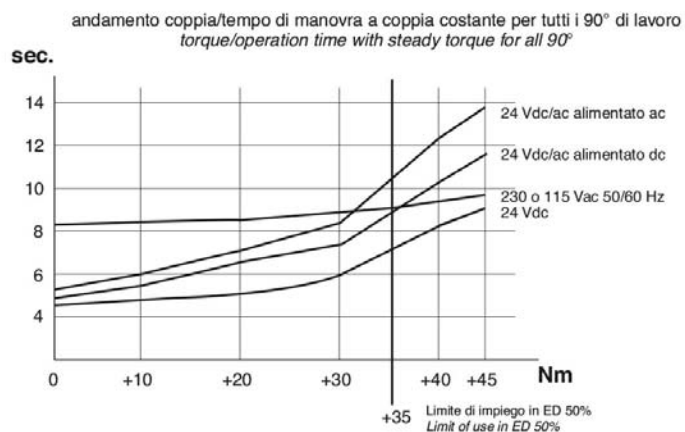
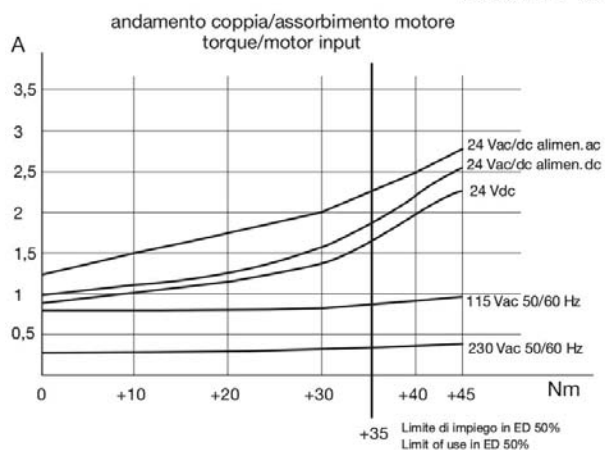
Connector

C0 = *straight connector*
P0 = *pipe connector*

Codes and options electrical actuator "EA" on-off

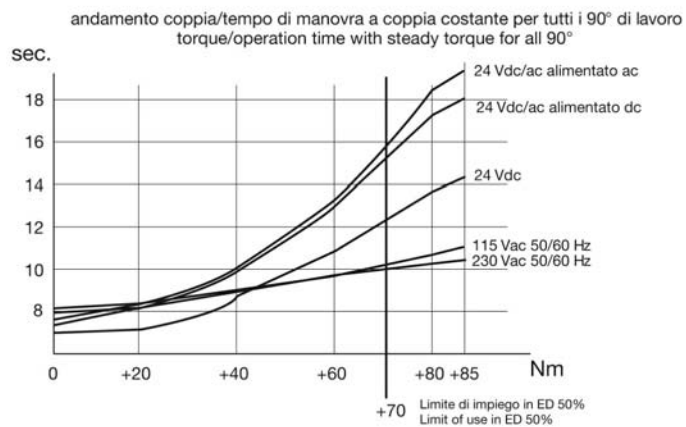
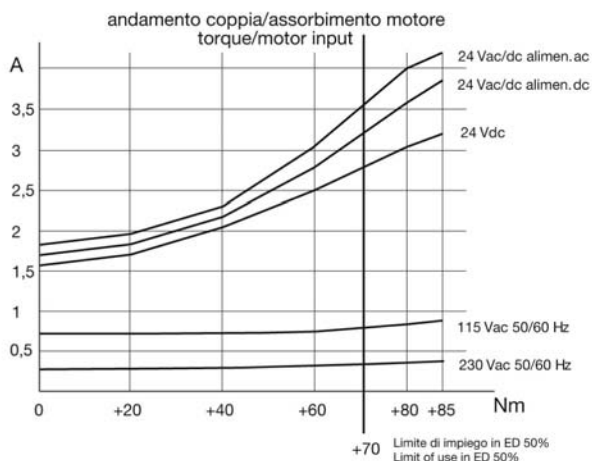
Voltage	Sizes and actuator codes			
MODELLOMODEL	EA0035 F03-F05-F07	EA0070 F05-F07	EA0130 F05-F07-F10	EA0240 F07-F10
230V 50/60 Hz	EA0035A5C000	EA0070A5C000	EA0130A5C000	EA0240A5C000
115V 50/60 Hz	EA0035A4C000	EA0070A4C000	EA0130A4C000	EA0240A4C000
24Vac/dcuniversal	EA0035U2C000	EA0070U2C000	EA0130U2C000	EA0240U2C000
24V dc	EA0035C2C000	EA0070C2C000	EA0130C2C000	EA0240C2C000

DIAGRAMMI DI FUNZIONAMENTO EA0035
EA0035 WORKING DIAGRAMS



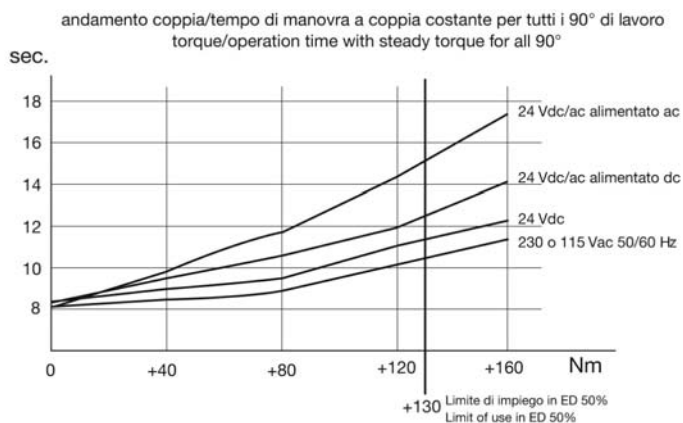
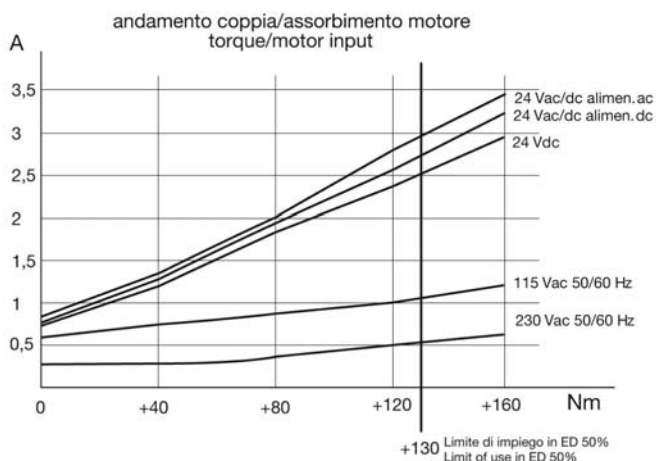


DIAGRAMMI DI FUNZIONAMENTO EA0070
EA0070 WORKING DIAGRAMS



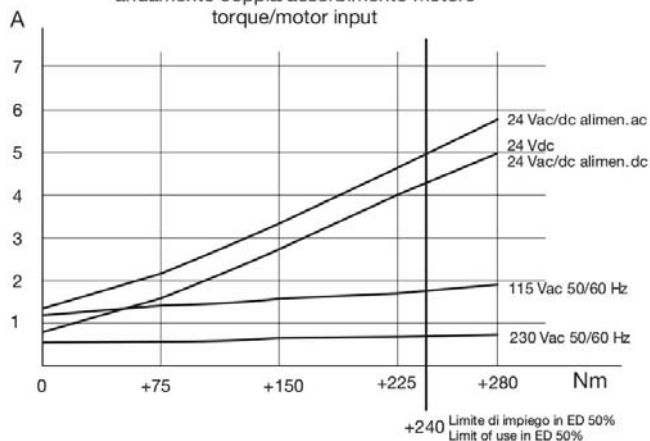


DIAGRAMMI DI FUNZIONAMENTO EA0130
EA0130 WORKING DIAGRAMS

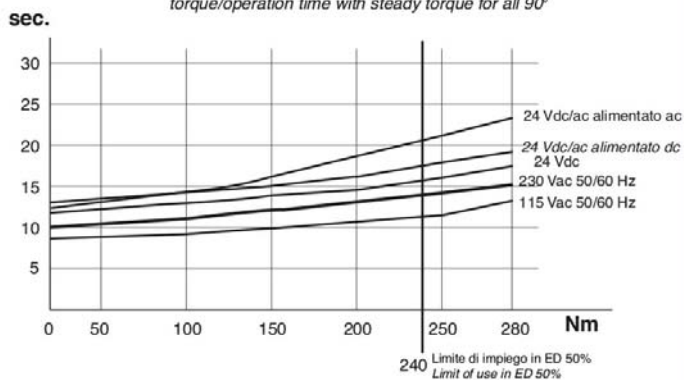


DIAGRAMMI DI FUNZIONAMENTO EA0240
EA0240 WORKING DIAGRAMS

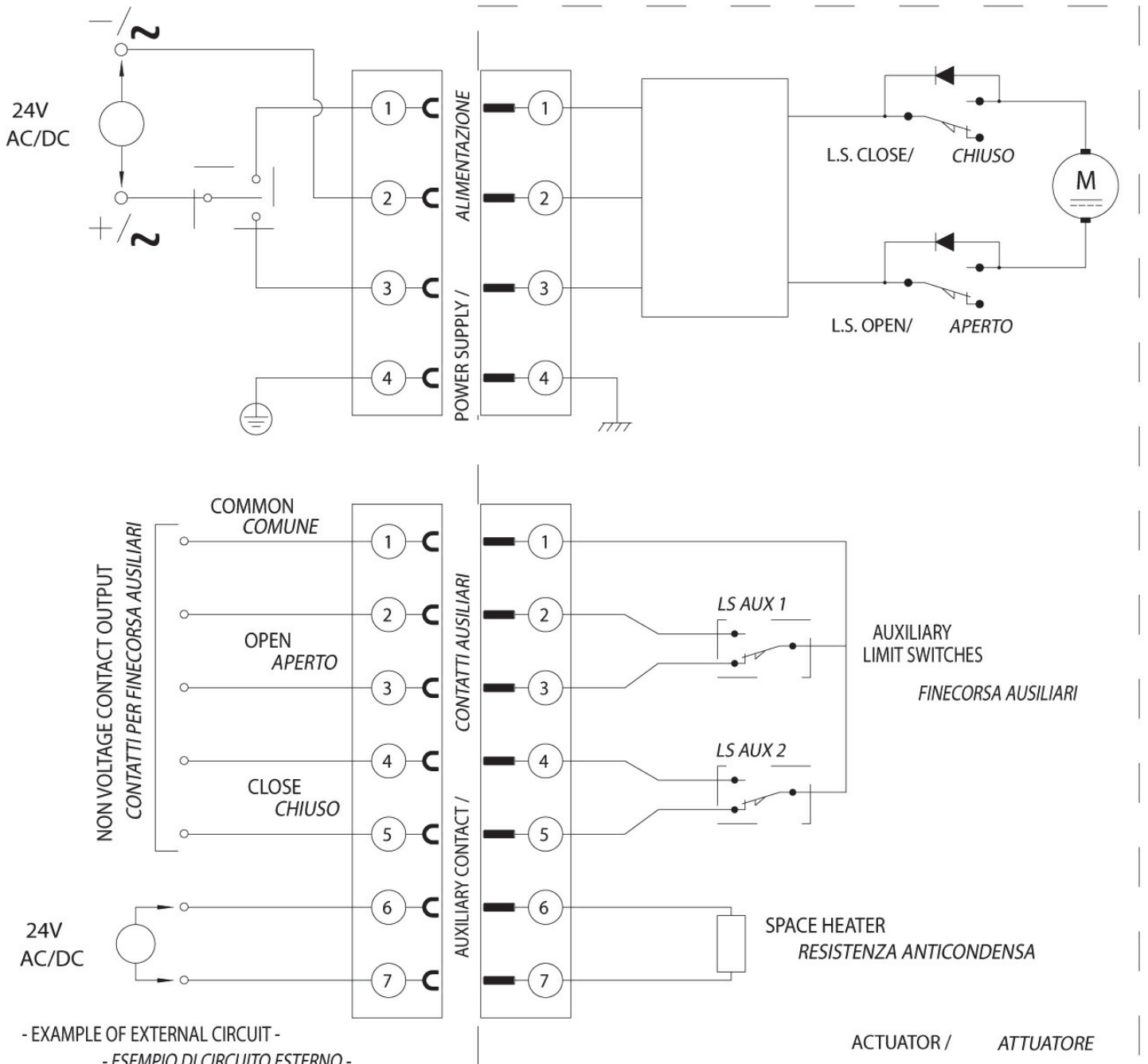
andamento coppia/assorbimento motore
 torque/motor input



andamento coppia/tempo di manovra a coppia costante per tutti i 90° di lavoro
 torque/operation time with steady torque for all 90°

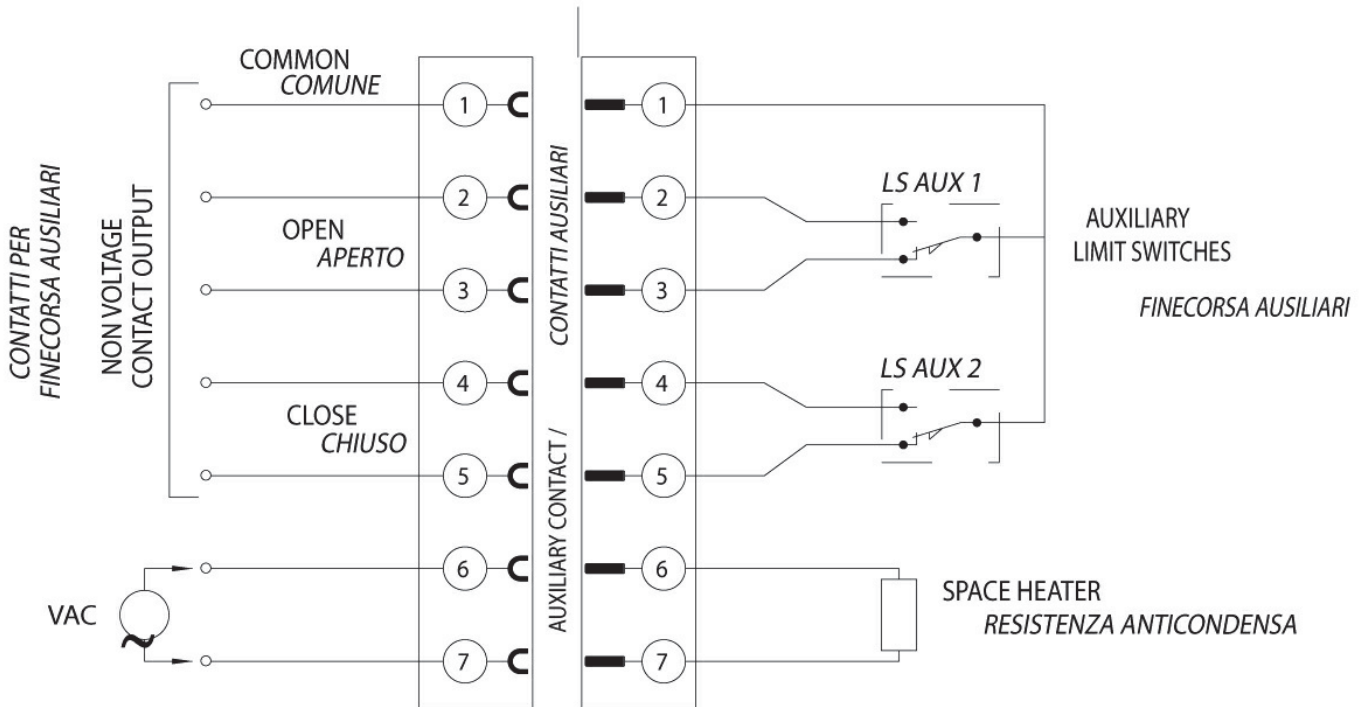
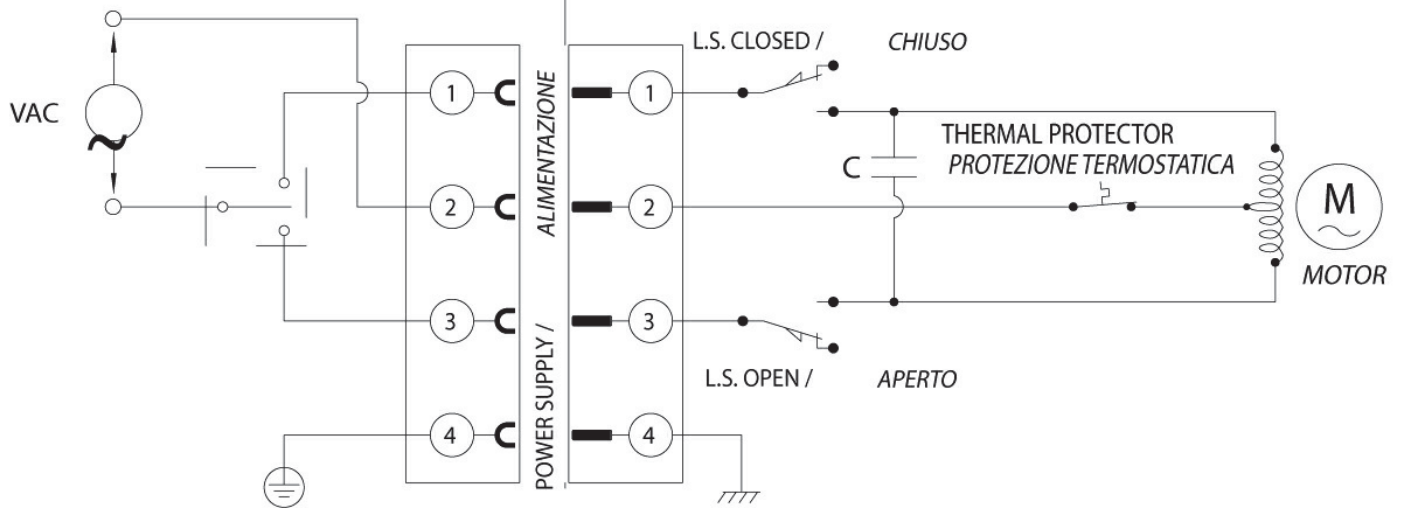


ELECTRIC WIRING FOR 24 Vac/dc - 24 Vdc SUPPLY





ELECTRIC WIRING FOR 115-230 Vac SUPPLY



- EXAMPLE OF EXTERNAL CIRCUIT -
- ESEMPIO DI CIRCUITO ESTERNO -

ACTUATOR / ATTUATORE