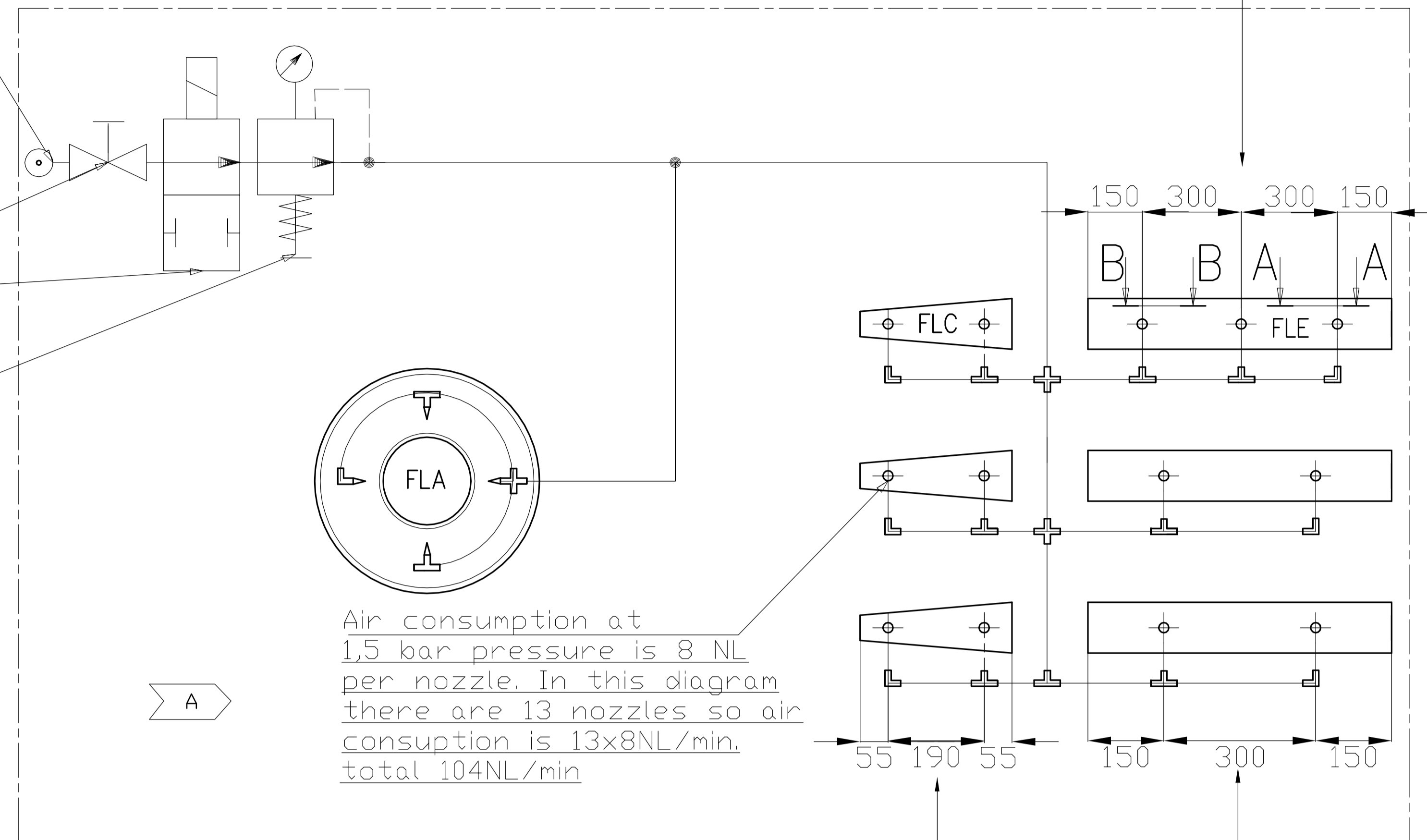


R 1/2" female
thread instrument
quality pressurized
air

Manual shut-off
valve
Solenoid valve
1.Coil

Pressure reducing valve
and pressure gauge
Pressure generally 1,5 bar

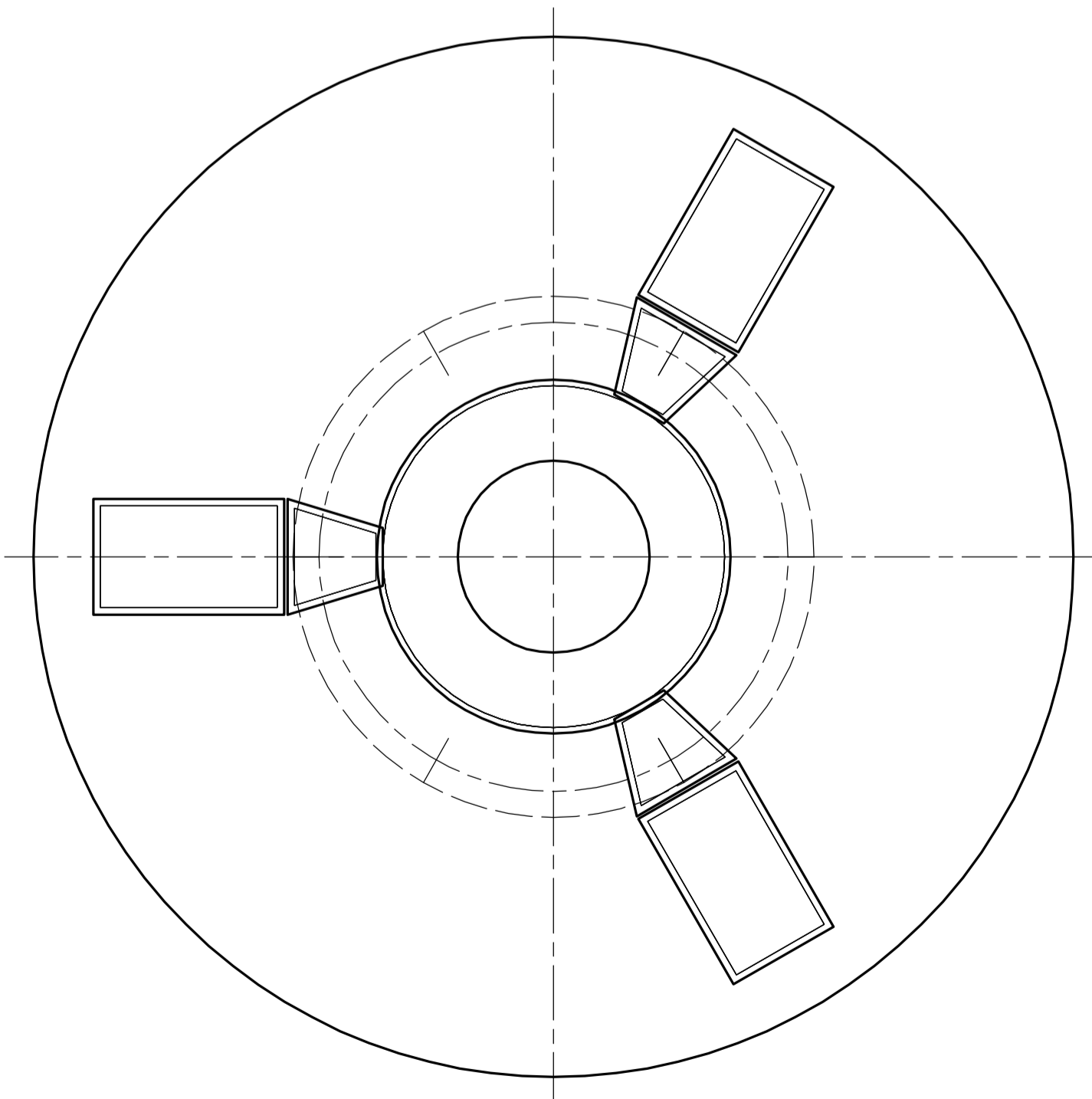
Mounting holes for 900mm fludelement



Air consumption at
1,5 bar pressure is 8 NL
per nozzle. In this diagram
there are 13 nozzles so air
consumption is 13x8NL/min.
total 104NL/min

Mounting holes for 300mm fludelements

Mounting holes for 600mm fludelements

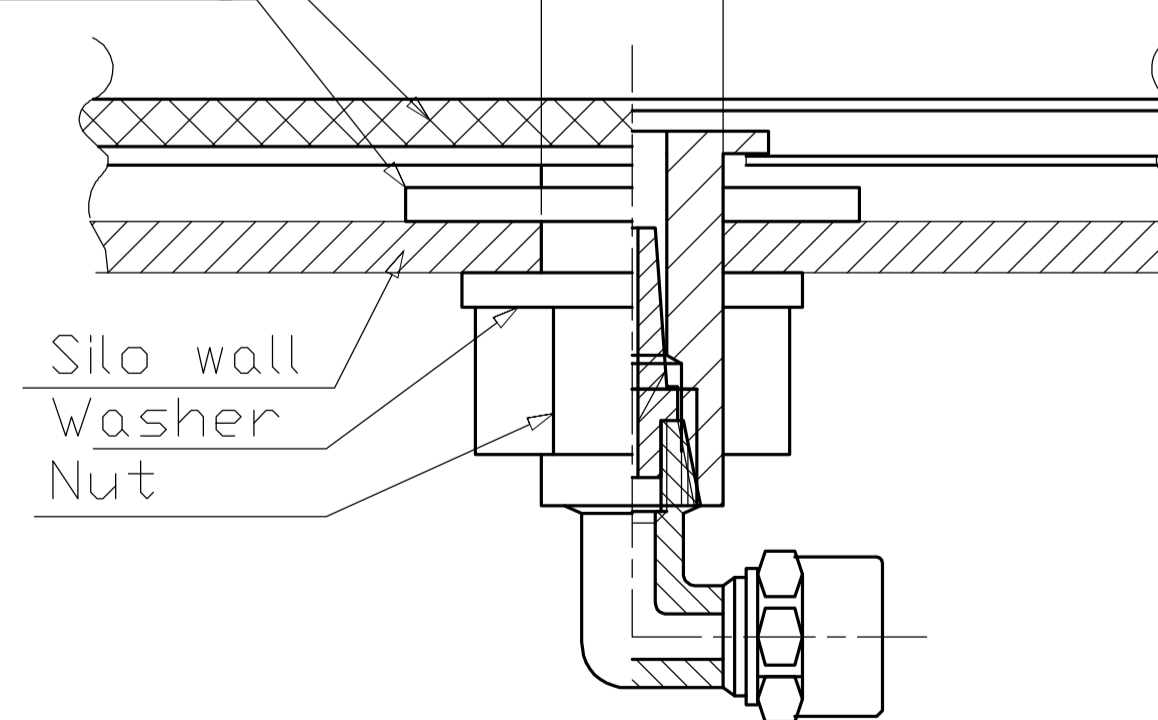


ASSEMBLY OF FLUDELEMENTS

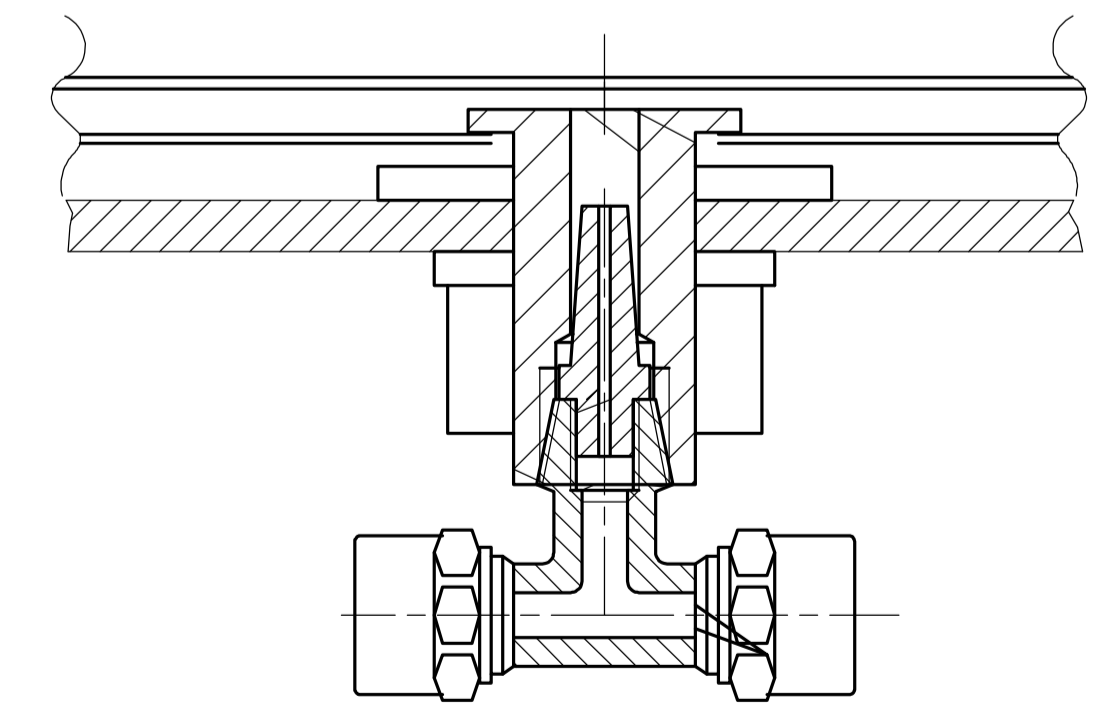
Hole to be drilled at assembly

Fludelement

Rubber sealing



DIRECTION A A



DIRECTION B B

This drawing and the design shown herein is the property of Raute. Any application or use of this print for purposes other than for which it was furnished is hereby prohibited.

Date	Name	Description	No. of changes	Coord.	Rev.
05.03.2010	DUNJ	CHANGED AMOUNT OF THE NOZZLES			A

Date		Name		Work No.		Pcs		Actual Weight	
25.10.2002		salkja							
Checked		Office		FLD Drawing		New Drawing		Model Drawing	
FLUID SYSTEM				Scale				Projection	
FLE+FLC+FLA				1:5				A	
ASSEMBLY DRAWING				Size				Revision	
				A1				A	
Project		Pos		Code		Drawing No.		Revision	
FL-		0000		DM000838					
Printed: 05.03.2010									