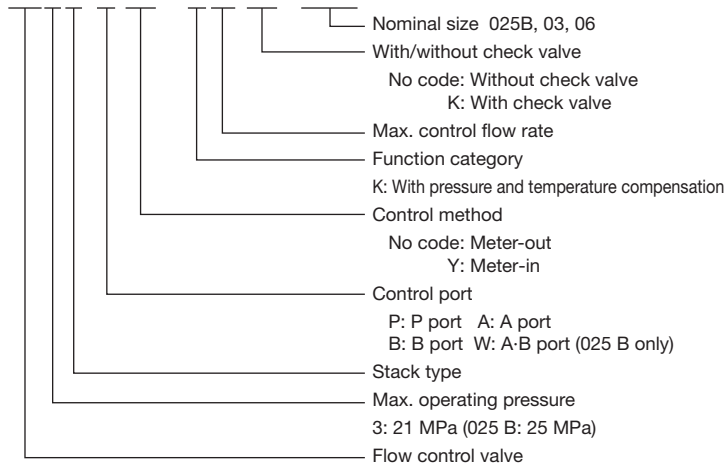


■Description of the model designation

HF3H-A (Y) - K24 (K) -025B



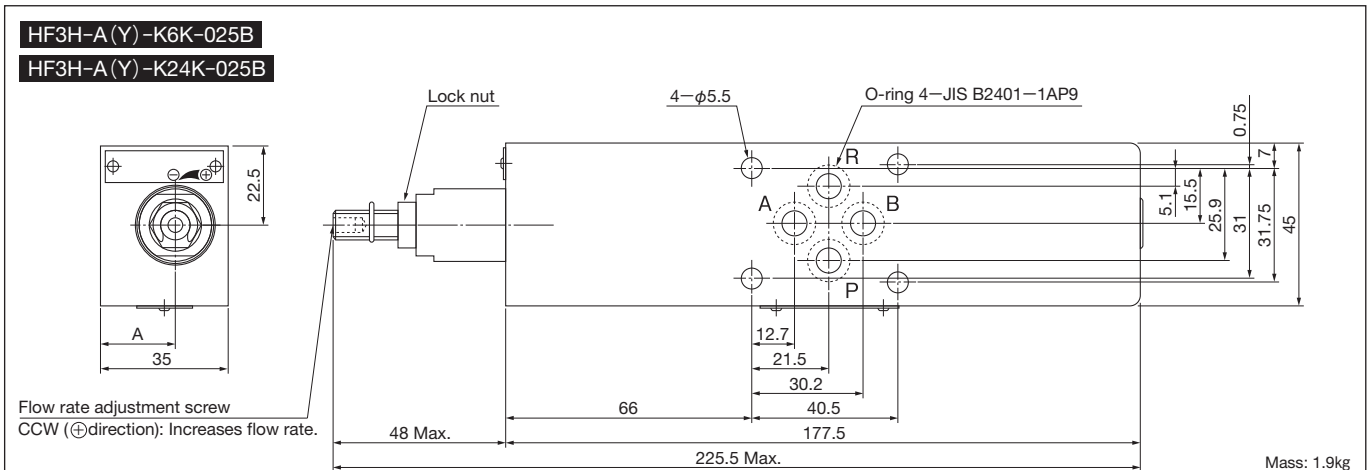
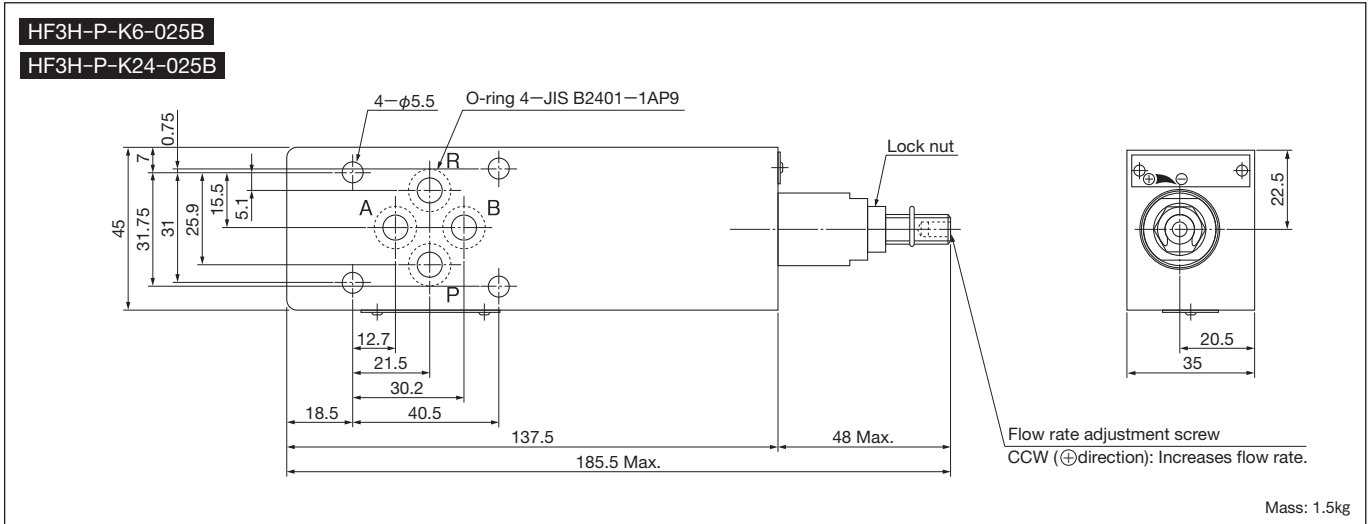
■Specifications

Control port	Type	Model	Max. operating pressure (MPa)	Flow rate adjustment range (L/min)	Check valve cracking pressure (MPa)	Symbol
P	—	HF3H-P-K6-025B	25	0.3 to 6	0.04	
		HF3H-P-K24-025B		0.3 to 24		
		HF3H-P-K56-03	21	0.5 to 56		
		HF3H-P-K106-06		2.0 to 106		
A	Meter-out	HF3H-A-K6K-025B	25	0.3 to 6		
		HF3H-A-K24K-025B		0.3 to 24		
		HF3H-A-K56K-03	21	0.5 to 56		
		HF3H-A-K106K-06		2.0 to 106		
	Meter-in	HF3H-AY-K6K-025B	25	0.3 to 6		
		HF3H-AY-K24K-025B		0.3 to 24		
		HF3H-AY-K56K-03	21	0.5 to 56		
		HF3H-AY-K106K-06		2.0 to 106		
B	Meter-out	HF3H-B-K6K-025B	25	0.3 to 6		
		HF3H-B-K24K-025B		0.3 to 24		
		HF3H-B-K56K-03	21	0.5 to 56		
		HF3H-B-K106K-06		2.0 to 106		
	Meter-in	HF3H-BY-K6K-025B	25	0.3 to 6		
		HF3H-BY-K24K-025B		0.3 to 24		
		HF3H-BY-K56K-03	21	0.5 to 56		
		HF3H-BY-K106K-06		2.0 to 106		

## Specifications

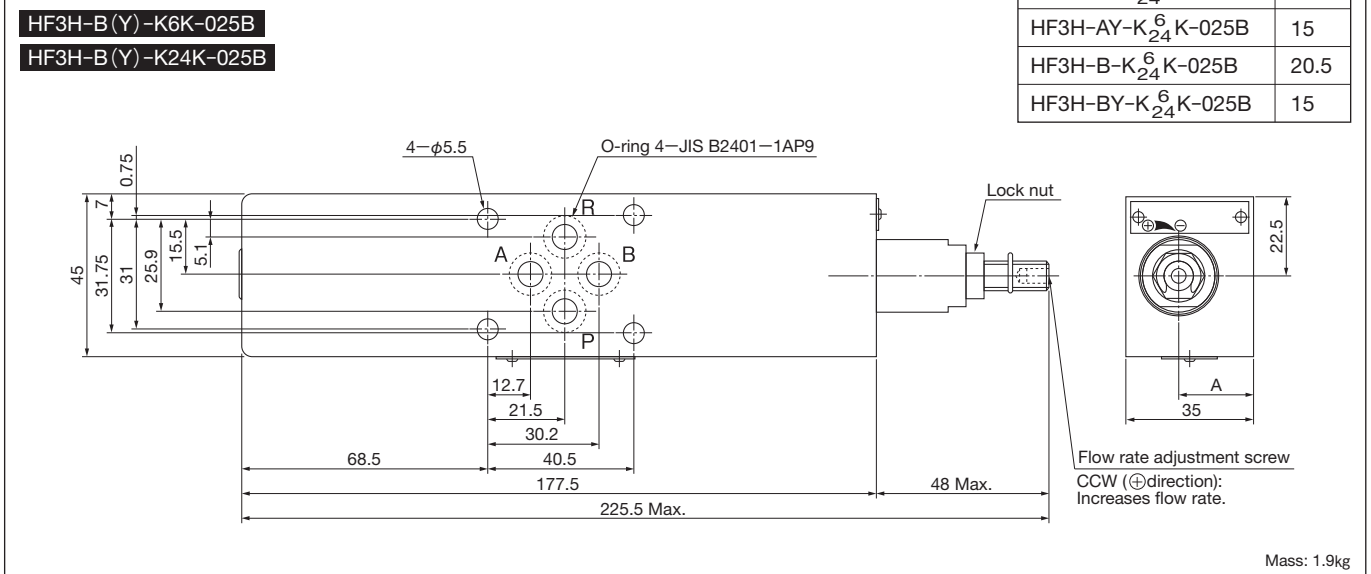
Control port	Type	Model	Max. operating pressure (MPa)	Flow rate adjustment range (L/min)	Check valve cracking pressure (MPa)	Symbol
A·B	Meter-out	HF3H-W-K6K-025B	25	0.3 to 6	0.04	
		HF3H-W-K24K-025B		0.3 to 24		
	Meter-in	HF3H-WY-K6K-025B		0.3 to 6		
		HF3H-WY-K24K-025B		0.3 to 24		

## Outside dimensions



Dimension table

Model	Dimension A
HF3H-A-K <sub>24</sub> <sup>6</sup> K-025B	20.5
HF3H-AY-K <sub>24</sub> <sup>6</sup> K-025B	15
HF3H-B-K <sub>24</sub> <sup>6</sup> K-025B	20.5
HF3H-BY-K <sub>24</sub> <sup>6</sup> K-025B	15

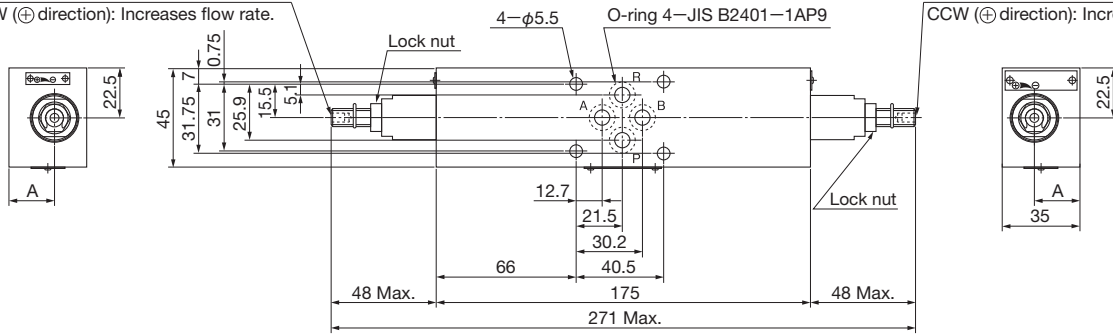


■ Outside dimensions

HF3H-W(Y)-K6K-025B

HF3H-W(Y)-K24K-025B

Flow rate adjustment screw (A port side)  
CCW (⊕ direction): Increases flow rate.



Flow rate adjustment screw (B port side)  
CCW (⊕ direction): Increases flow rate.

Dimension table

Model	Dimension A
HF3H-W-K <sup>6</sup> / <sub>24</sub> K-025B	20.5
HF3H-WY-K <sup>6</sup> / <sub>24</sub> K-025B	15

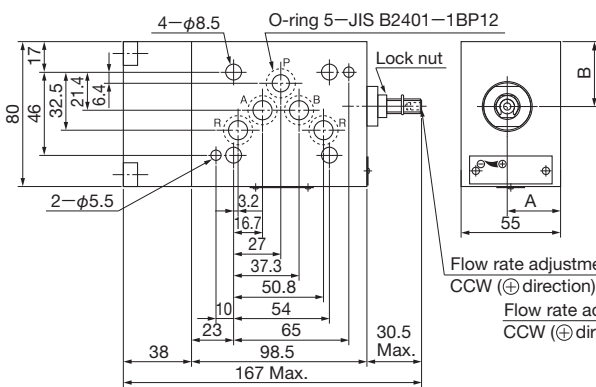
Mass: 2kg

Unit: mm

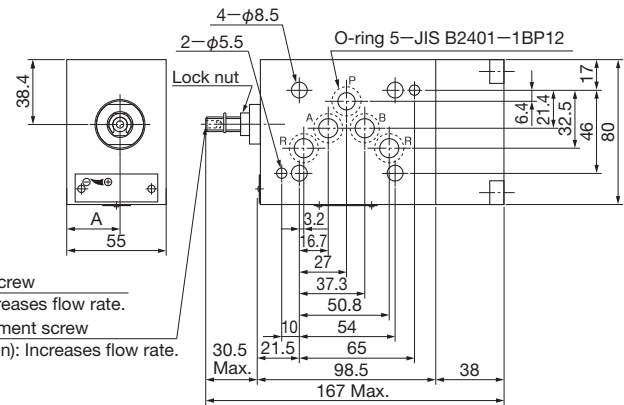
HF3H-P-K56-03

HF3H-B(Y)-K56K-03

HF3H-A(Y)-K56K-03



Flow rate adjustment screw  
CCW (⊕ direction): Increases flow rate.  
Flow rate adjustment screw  
CCW (⊕ direction): Increases flow rate.



Dimension table

Model	Dimension A	Dimension B
HF3H-P-K56-03	30	36
HF3H-B-K56(K)-03	30	38.4
HF3H-BY-K56(K)-03	25	38.4

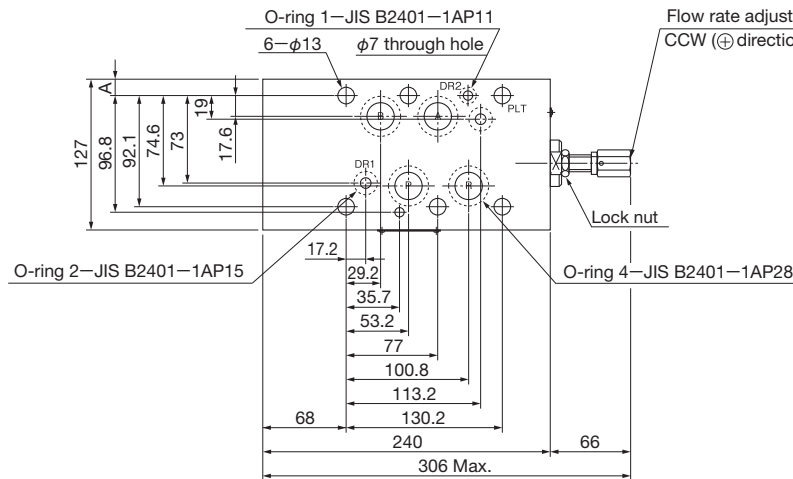
Dimension table

Model	Dimension A
HF3H-A-K56K-03	30
HF3H-AY-K56K-03	25

Mass: 3.2kg

Unit: mm

HF3H-\*(Y)-K106(K)-06



Flow rate adjustment screw  
CCW (⊕ direction): Increases flow rate.

Dimension table

Model	Dimension A	Dimension B	Dimension C
HF3H-A-K106K-06	21	57	51
HF3H-AY-K106K-06	21	57	34
HF3H-B-K106K-06	21	57	51
HF3H-BY-K106K-06	21	57	34
HF3H-P-K106K-06	14	70	51

Mass: 16kg

Unit: mm