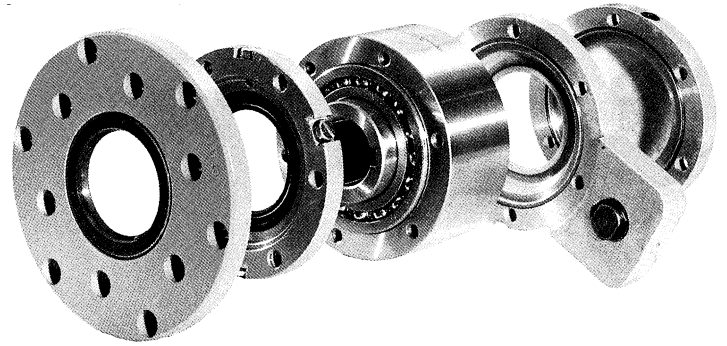


Types AGF and AGFN Roller Ramp Clutches

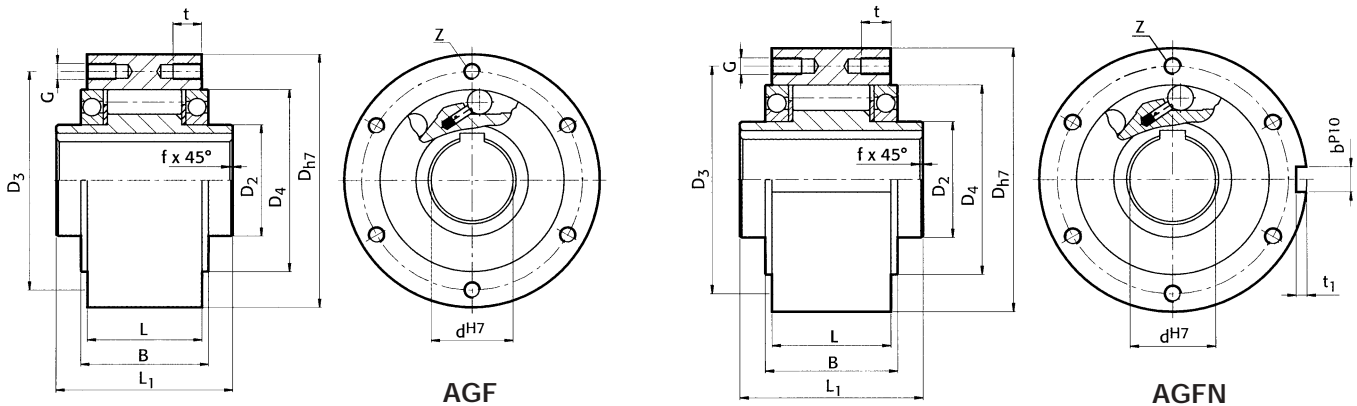


Combined Roller Ramp Clutch with Ball Bearings and outer race tapped to accept End Flanges

AGF and AGFN freewheels contain their own bearings, to centre inner and outer races. The outer race is tapped to enable fitting of a range of standard end flanges, but can equally be adapted to fit gears, or other driven equipment to suit special applications. Combination with standard end flanges or flexible couplings provides complete unit, with its own lubrication, enabling easy fitting to drive equipment.



Type AGFN incorporates a keyway in the outer race for torque transmission, enabling simple connection of gears, sprockets and pulleys. Clutches, with the outer races having through drilled holes instead of tapped holes, are available to order (types ALF & ALFN). These clutches use V ring face contact seals for reduced overrun drag torque, and also permits higher overrun speeds on outer race, and so are particularly suited to high speed indexing and continuous overrun applications.



Dimensions

Clutch Size		Bore mm dh7	Nom Torque Nm ⁽¹⁾	Max Overrun Speed ⁽²⁾		Dimensions mm											Approx. Weight kg	
Type AGF	Type AGFN			Inner	Outer	Dh7	D2	D4	D3	L1	L	B	t1	bp10	G	t		Z
AGF 12*	AGFN 12*	12	44	4000	5600	62	20	42	51	42	20	27	2.5	4	ø5.5	-	3	0.5
AGF 15	AGFN 15	15	100	3600	5200	68	25	47	56	52	28	32	3	5	M5	8	3	0.8
AGF 20	AGFN 20	20	145	2700	4600	75	30	55	64	57	34	39	3.5	6	M5	8	4	1.0
AGF 25	AGFN 25	25	230 ⁺	2100	3600	90	40	68	78	60	35	40	4	8	M6	10	4	1.5
AGF 30	AGFN 30	30	400 ⁺	1700	3200	100	45	75	87	68	43	48	4	8	M6	10	6	2.2
AGF 35	AGFN 35	35	580 ⁺	1550	3000	110	50	80	96	74	45	51	5	10	M6	12	6	3.0
AGF 40	AGFN 40	40	820	1150	2600	125	55	90	108	86	53	59	5	12	M8	14	6	4.6
AGF 45	AGFN 45	45	900	1000	2400	130	60	95	112	86	53	59	5.5	14	M8	14	8	4.7
AGF 50	AGFN 50	50	1700	800	2150	150	70	110	132	94	64	72	5.5	14	M8	14	8	7.2
AGF 55	AGFN 55	55	2100	750	2000	160	75	115	138	104	66	72	6	16	M10	16	8	8.6
AGF 60	AGFN 60	60	2800	650	1900	170	80	125	150	114	78	89	7	18	M10	16	10	10.5
AGF 70	AGFN 70	70	4600	550	1750	190	90	140	165	134	95	108	7.5	20	M10	16	10	13.5
AGF 80	AGFN 80	80	6800	500	1600	210	105	160	185	144	100	108	9	22	M10	16	10	18.2
AGF 90	AGFN 90	90	11600	450	1450	230	120	180	206	158	115	125	9	25	M12	20	10	28.5
AGF 100	AGFN 100	100	16000	350	1250	270	140	210	240	182	120	131	10	28	M16	24	10	42.5
AGF 130	AGFN 130	130	25000	250	1000	310	160	240	278	212	152	168	11	32	M16	24	12	65.0
AGF 150	AGFN 150	150	56000	200	800	400	200	310	360	246	180	194	12	36	M20	32	12	138.0

(1) Max. Torque = 2.5 Nom. Torque for brief periods only.

(2) For oil lubrication.
For grease lubrication x0.5.

Shaft keyways to DIN 6885 Sht. 1.

* Clutch sizes AGF 12 & AGFN 12 have through holes in outer race.

+ Clutch sizes 25, 30 & 35 can be supplied with increased torque design type AGFM for high load indexing applications.

Clutches are supplied with two paper gaskets to fit between the outer race and selected cover plates, to ensure sealing of end covers.

Tel +44 121 360 0155

Fax +44 121 325 1079

Email sales@crossmorse.com