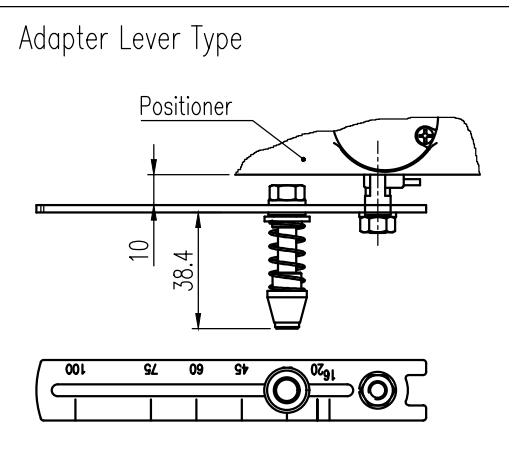
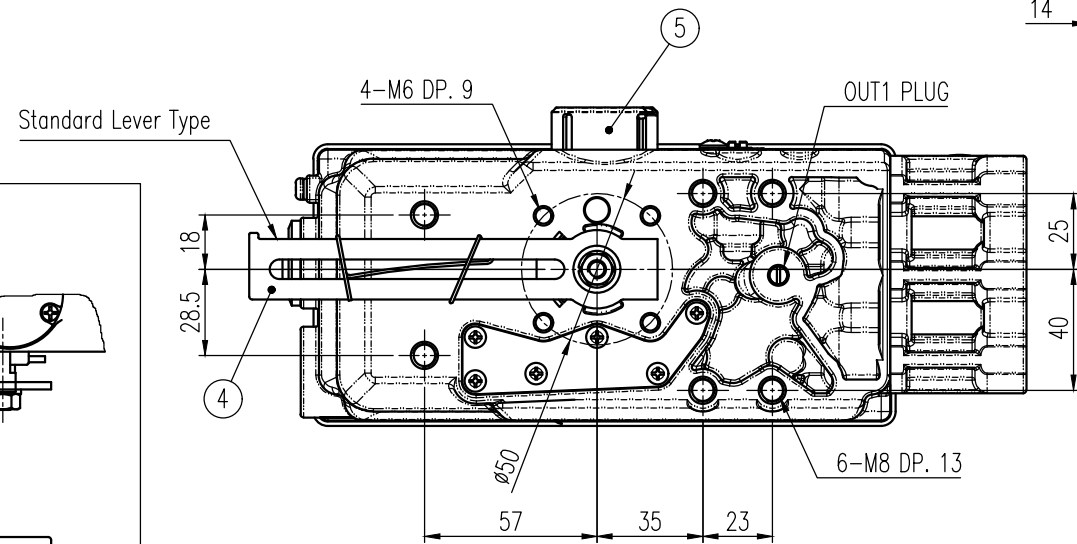
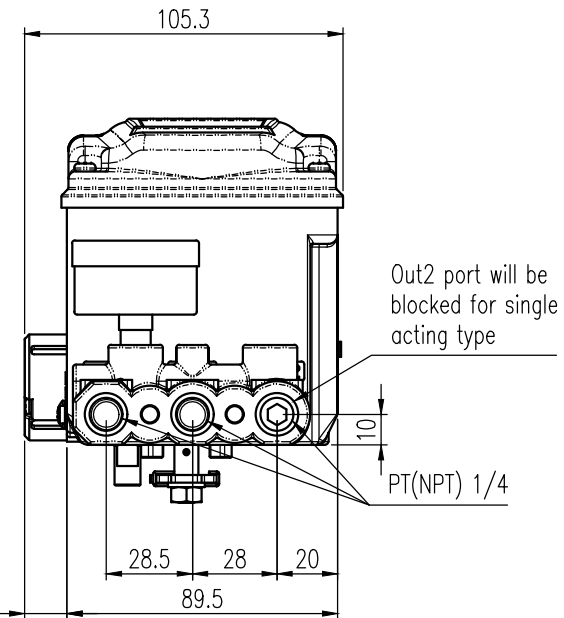
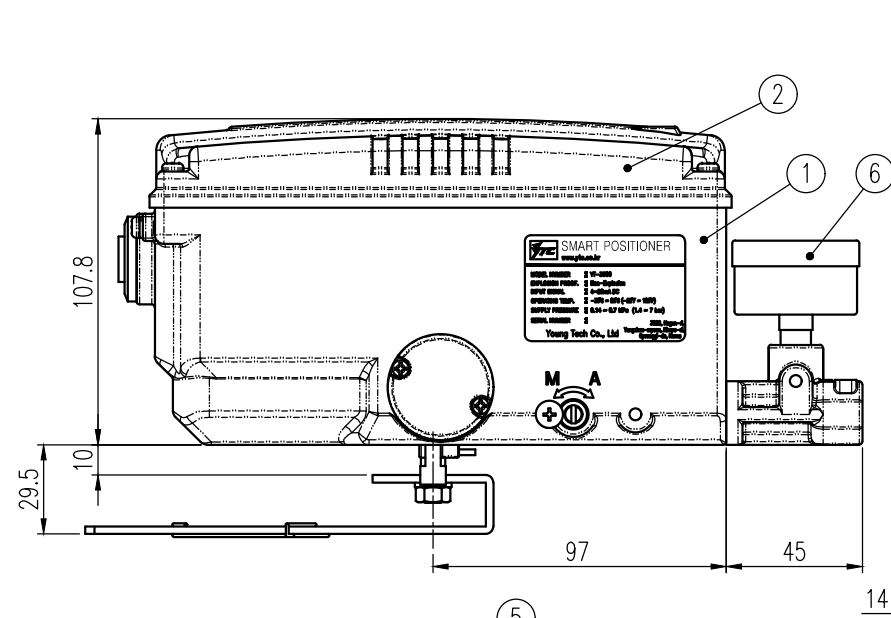
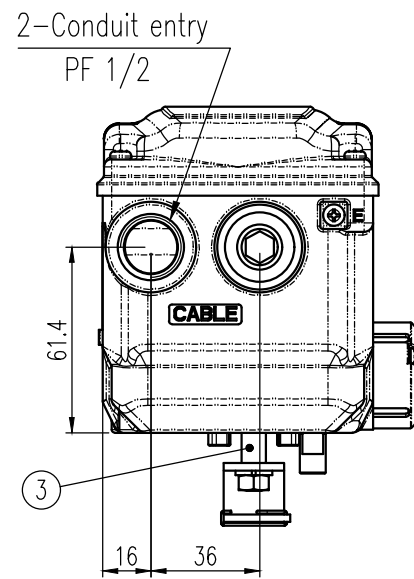
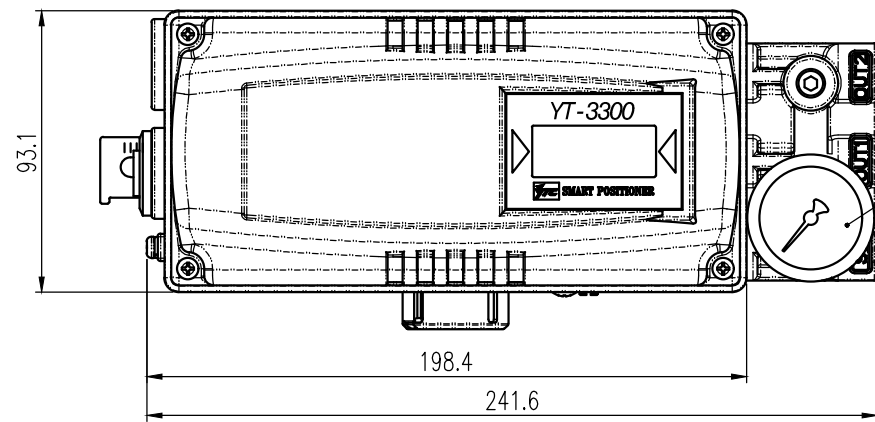


REV.NO.	REVISION DESCRIPTION	DRAWN / DATE	REVIEWED / DATE	APPROVED / DATE
△	Issue for approval	KCH/121117	JCS/121117	LYH/121117
△				

**SPECIFICATIONS**

Acting Type	<input type="checkbox"/> Single	<input type="checkbox"/> Double
Input Signal	4 ~ 20mA DC	
Impedance	Max 460 Ohm/20mA DC	
Supply Pressure	0.14 ~ 0.7MPa (1.4 ~ 7bar)	
Explosion Proof	<input type="checkbox"/> Non-Explosion	<input type="checkbox"/> Ex ia IIC T5 <input type="checkbox"/> Ex ia IIC T6
Stroke	20 ~ 150mm / 0 ~ 60'	
Lever Type	Standard	Adapter
	<input type="checkbox"/> 20 ~ 100mm	<input type="checkbox"/> 16 ~ 30mm
	<input type="checkbox"/> 90 ~ 150mm	<input type="checkbox"/> 16 ~ 60mm <input type="checkbox"/> 16 ~ 100mm
Repeatability	±0.3% F.S.	
Operating Temp.	-30 ~ 85°C (-22 ~ 185°F)	
Explosion Ambient Temp.	-40 ~ 60°C(T5) / -40 ~ 40°C(T6)	
Hysteresis	±0.5% F.S.	
Sensitivity	±0.2% F.S.	
Linearity	±0.5% F.S.	
Air Connection	(N)PT 1/4	
Gauge Connection	(N)PT 1/8	
Conduit	PF 1/2 (G 1/2)	
Air consumption	Below 2LPM (sup=0.14MPa, 1.4bar)	
Flow Capacity	70LPM (sup=0.14MPa)	
Enclosure	IP66	
Main Board	MPU	16 bit Micro Controller
	A/D Converter	12 bit
	D/A Converter	12 bit
LCD	Operation Temp.	-20 ~ 70°C (-4 ~ 158°F)
Output Characteristics	<input type="checkbox"/> Linear	<input type="checkbox"/> EQ%
	<input type="checkbox"/> User defined	<input type="checkbox"/> Quick Open
Material	Aluminum Diecasting	
Weight	2.2kgf (4.8 lbf)	



NO.	PART NAME	MATERIAL	Q'TY	REMARK
6	PRESSURE GAUGE	STS304	1	
5	VENT COVER	PC	1	
4	FEED BACK LEVER	STS304	1	
3	MAIN SHAFT	STS303	1	
2	BASE COVER	ALDC12	1	
1	BASE BODY	ALDC12	1	

SURFACE TEXTURE	-	PRODUCT NAME	SMART POSITIONER		YOUNG TECH CO., LTD. SEOUL, KOREA
FINISH TREATMENT	-	MODEL	YT-3300L		
MATERIAL	-	PROJECTION	3rd	SCALE	TITLE
OTHERWISE NOTE	-	GENERAL TOLERANCE	-	1 / 2.5	SMART LINEAR POSITIONER ASS'Y DWG
		QUANTITY	1	SHEET No.	DRAWING NO.
				1 / 1	YT-3300L STANDARD
					REV. 0