

TMD-5 1:5cc



How to Order

Name	Cycle Time		Part #	
	50 Hz	60 Hz	115/230 VAC	24 VDC
TMD-5 Lubricator	6.4 min.	5.3 min.	26350-1	-
	10.7 min.	8.9 min.	26350-2	-
	16.0 min.	13.3 min.	26350-3	-
	33.2 min.	27.7 min.	26350-4	32295
	64.0 min.	53.3 min.	26350-5	-
	128.0 min.	106.7 min.	26350-6	-

When ordering, specify by name and part number, e.g. TMD-5 Lubricator, Part #26350-3.

Service Parts

Order by part number and name shown below. If you are unsure of the service part needed, include complete lubricator part number and serial letters as shown on nameplate. For major repairs requiring parts not identified on the drawing, return the lubricator for factory rebuilding and adjustment. If a new lubricator is required for replacement, order by part number shown on the nameplate.

Item	Part #	Description
1-3*	26361	Filter Group Kit
1*	20577	Spring Clip
2*	B3747	Filter Disc
3*	B3746	Filter Screen
4	20324-KIT	Reservoir
5	B9640	Level Switch N.O.**
5A	20256	Level Switch N.O. with rod**
6	22285	Filler Screen
7	24278-3	Motor/Lubricator 26350-1
	24278-1	Motor/Lubricator 26350-2
	24278-6	Motor/Lubricator 26350-3
	24278-2	Motor/Lubricator 26350-4
	24278-4	Motor/Lubricator 26350-5
	24278-5	Motor/Lubricator 26350-6
	32306	Motor/Lubricator 32295

* Recommended spare parts.

** Also available in NC, p.n.B9640-1 & 20256-1

Accessories

Description	Part #
Line Filter, 1 inch, 25 micron	19850
Line Filter, 3 inch, 25 micron	19848
Pressure Switch, SPST - N.O., 0.8 Bar (12 psi)	26410
Pressure Switch, SPST - N.C., 0.7 Bar (10 psi)	26393
Pressure Gauge, 0-7 Bar (0-100 psi)	B5610

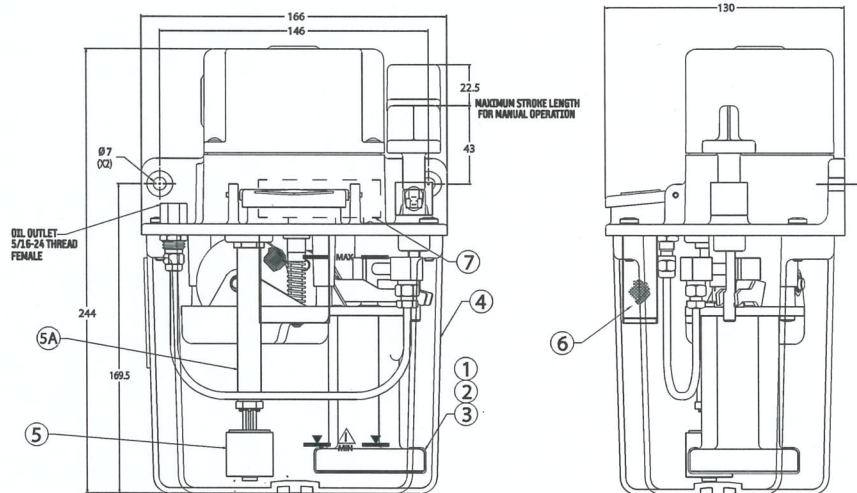


Before performing service to lubricator, always turn off and disconnect electrical power.

WARNING

When connecting lubricator, make sure that unit is securely and adequately grounded. Failure to ground properly may cause serious injury.

Measurements shown in inches.



BIJUR DELIMON INTERNATIONAL

(919) 465 4448 LOCAL
 (800) 631 0168 TOLL-FREE
 (919) 465 0516 FAX

WWW.BIJURDELIMON.COM

2100 Gateway Centre Blvd., Suite 109
 Morrisville, NC 27560

24117 • R6 10/12