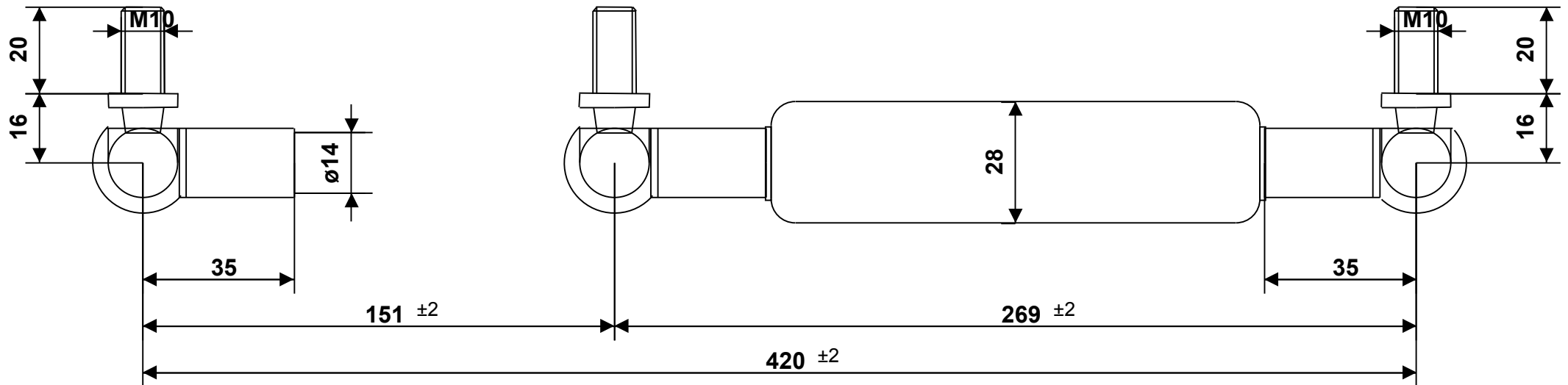


**Hahn Part Number: 28-022YP**  
**G 14 28 0150 9 0420 WG35 WG35 02020N**



Intended for internal use and customer / Tolerance of ext. length: +/- 2mm - Dimensions without tolerance: per DIN ISO 2768-1 -c (ISO 2768 -c) - For Information Only  
 Force tolerance: F1 >= 1000N: +/- 5%; < 1000N: +/- 10%, min.: +/- 10N, max.: +/- 50N - Unregistered Copy, Print-out or file not subject to modification service.  
 End fitting orientation is random and not represented by drawing unless specified - Observe disposal instructions - Not true to scale



Please note our technical instructions

Assembly/storing with piston rod down

23. Aug 2024

Auto-Printservice

No opening-no heating-high pressure

Made in Germany

**Part**

**Dimension**

**Material / Surface**

**Fitting**

**Progr.:103,50 %**

Drawing owned by Hahn Gasfedern GmbH

Piston rod

Ø14mm

Stahl, hartverchromt

WG35 M10 CS16

info@hahn-gasfedern.de

Cylinder

Ø28mm

Stahl,schwarz

WG35 M10 CS16

www.hahn-gasfedern.de

Configuration ID : 10056851-