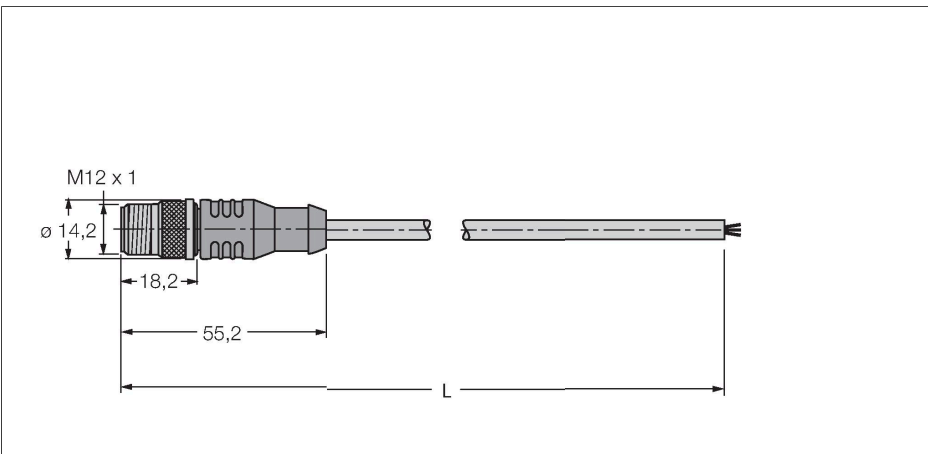


# RSSW458-30M

## PROFIBUS Cable – PUR Cable Jacket

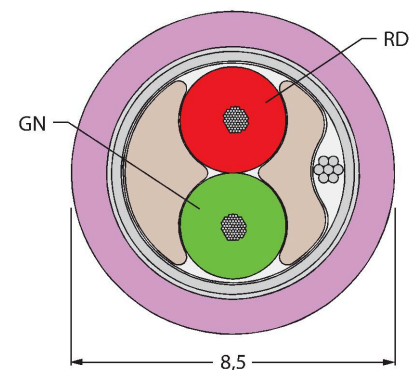


### Features

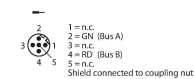


- Jacket material: PUR
- Jacket color: purple
- Suitable for drag chain use
- UL approval
- Protection class: IP67
- Open end
- M12 male, straight, reverse-keyed
- Cable length: 30 m

### Cable Cross-Section



### Contact assignment



### Technical data

Type	RSSW458-30M
ID	6602382
Connector A	Male, M12 × 1, Straight, B-coded
Number of Pins	5
Contacts	Metal, CuZn, Gold-plated
Contact carriers	Plastic, TPU, Black
Connector body	Plastic, TPU, Black
Coupling nut/screw	Brass, CuZn, Nickel-plated
Tightening torque (range)	0.8 ... 1 Nm (observe max. torque of mating connector!)
Mechanical lifespan	> 100 Mating cycles
Pollution degree	3
Protection class	IP67, Only in screwed condition
Cable	
Network protocol	PROFIBUS-DP, 458
Cable diameter	Ø 8.5 mm ±0.30
Cable length	30 m
Cable jacket	PUR, Violet
Shielding	Aluminum foil, tinned copper wire
Core insulation	PE
Core cross-section	2 x 0.34 mm <sup>2</sup>
Arrangement of strands	65 x 0.079 mm
Core colors	GN, RD
Electrical properties at +20 °C	
Rated voltage	48 V <sub>AC</sub> /60 V <sub>DC</sub>
Current	4 A
DC resistance (loop)	50 Ω/km

## Technical data

Nom. impedance	150 Ω (1MHz)
Nom. capacitance	29.53 pF/m
<b>Mechanical and chemical properties</b>	
Bending radius (stationary installation)	≥ 5 x Ø
Bending radius (flexible use)	≥ 15 x Ø
Bending cycles	≥ 10 million
Torsional stress	± 180 °/m
Ambient temperature range (stationary)	-40 °C...+80 °C
Ambient temperature range (In motion)	-40 °C...+60 °C
Ambient temperature during drag chain operation	-25 °C...+60 °C
<b>Other Features</b>	
Qualified for drag chain use	yes
Halogen-free	no
UV resistance	yes
Flame-retardant	yes
Approvals	UL CSA