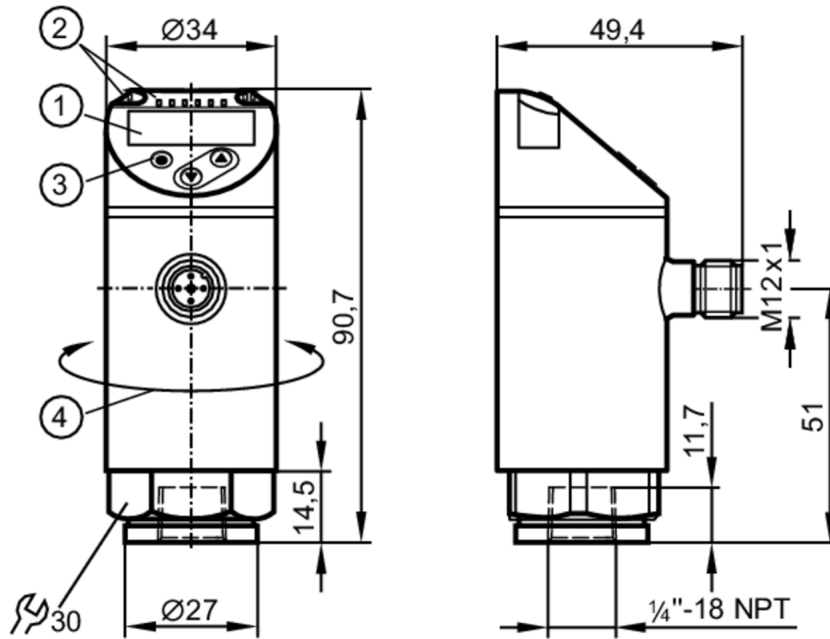


PN2296



Pressure sensor with display

PN-2,5-REN14-MFRKG/US/IV



- 1 alphanumeric display 4-digit red/green
- 2 LEDs Display unit / Switching status
- 3 Programming button
- 4 upper part of the housing can be rotated 345°



Product characteristics

Number of inputs and outputs	Number of digital outputs: 2; Number of analog outputs: 1			
Measuring range	-0.125...2.5 bar	-125...2500 mbar	-1.8...36.25 psi	-12.5...250 kPa
Process connection	threaded connection 1/4" NPT Internal thread			

Application

System	gold-plated contacts		
Measuring element	ceramic-capacitive pressure measuring cell		
Application	for industrial applications		
Media	liquids and gases		
Medium temperature [°C]	-25...80		
Min. bursting pressure	50 bar	725 psi	5000 kPa
Pressure rating	20 bar	290 psi	2000 kPa
Vacuum resistance [mbar]	-1000		
Type of pressure	relative pressure		
MAWP (for applications according to CRN)	20 bar	290 psi	2000 kPa

PN2296



Pressure sensor with display

PN-2,5-REN14-MFRKG/US/IV

Electrical data					
Operating voltage	[V]	18...30 DC; (to SELV/PELV)			
Current consumption	[mA]	< 35			
Min. insulation resistance	[MΩ]	100; (500 V DC)			
Protection class		III			
Reverse polarity protection		yes			
Power-on delay time	[s]	0.3			
Integrated watchdog		yes			
Inputs / outputs					
Number of inputs and outputs		Number of digital outputs: 2; Number of analog outputs: 1			
Outputs					
Total number of outputs		2			
Output signal		switching signal; analog signal; IO-Link; (configurable)			
Electrical design		PNP/NPN			
Number of digital outputs		2			
Output function		normally open / closed; (configurable)			
Max. voltage drop switching output DC	[V]	2			
Permanent current rating of switching output DC	[mA]	250			
Switching frequency DC	[Hz]	< 500			
Number of analog outputs		1			
Analog current output	[mA]	4...20; (scalable 1:5)			
Max. load	[Ω]	500			
Analog voltage output	[V]	0...10; (scalable 1:5)			
Min. load resistance	[Ω]	2000			
Short-circuit protection		yes			
Type of short-circuit protection		yes (non-latching)			
Overload protection		yes			
Measuring/setting range					
Measuring range		-0.125...2.5 bar	-125...2500 mbar	-1.8...36.25 psi	-12.5...250 kPa
Analog start point		-0.125...2 bar		-1.8...29 psi	-12.5...200 kPa
Analog end point		0.375...2.5 bar		5.45...36.25 psi	37.5...250 kPa
Factory setting / CMPT = 2					
Set point SP		-0.11...2.5 bar		-1.6...36.25 psi	-11...250 kPa
Reset point rP		-0.12...2.49 bar		-1.75...36.1 psi	-12...249 kPa
Min. difference between SP and rP		0.015 bar		0.15 psi	1.5 kPa
In steps of		0.005 bar		0.05 psi	0.5 kPa
Status_B High Resolution / CMPT = 3					
Set point SP		-0.109...2.5 bar		-1.58...36.26 psi	-10.9...250 kPa
Reset point rP		-0.12...2.49 bar		-1.73...36.11 psi	-12...249 kPa
Min. difference between SP and rP		0.011 bar		0.15 psi	1.1 kPa
In steps of		0.001 bar		0.01 psi	0.1 kPa

PN2296



Pressure sensor with display

PN-2,5-REN14-MFRKG/US/IV

Accuracy / deviations		
Switch point accuracy [% of the span]	< ± 0,4; (Turn down 1:1)	
Repeatability [% of the span]	< ± 0,1; (with temperature fluctuations < 10 K; Turn down 1:1)	
Characteristics deviation [% of the span]	< ± 0,25 (BFSL) / < ± 0,5 (LS); (Turn down 1:1; BFSL = Best Fit Straight Line; LS = limit value setting)	
Hysteresis deviation [% of the span]	< ± 0,1; (Turn down 1:1)	
Long-term stability [% of the span]	< ± 0,05; (Turn down 1:1; per 6 months)	
Temperature coefficient zero point [% of the span / 10 K]	< ± 0,2; (-0...80 °C)	
Temperature coefficient span [% of the span / 10 K]	< ± 0,2; (-0...80 °C)	
Notes on the accuracy / deviation	switch point accuracy, linearity error under DNV GL: < ± 1%: < ± 1%	
Reaction times		
Response time [ms]	< 1.5	
Delay time programmable dS, dr [s]	0...50	
Damping process value dAP [s]	0...4	
Damping for the analog output dAA [s]	0...4	
Max. response time analog output [ms]	3	
Software / programming		
Parameter setting options	hysteresis / window; normally open / closed; switch-on/ switch-off delay; Damping; Display unit; current/voltage output	
Interfaces		
Communication interface	IO-Link	
Transmission type	COM2 (38,4 kBaud)	
IO-Link revision	1.1	
SDCI standard	IEC 61131-9	
SIO mode	yes	
Required master port class	A; (wenn PIN 2 nicht verbunden: B)	
Supported DeviceIDs	Type of operation	DeviceID
	Factory setting / CMPT = 2	474
	Status_B High Resolution / CMPT = 3	990
Note	For further information please see the IODD PDF file at "Downloads"	

PN2296



Pressure sensor with display

PN-2,5-REN14-MFRKG/US/IV

Factory setting / CMPT = 2		
Profiles	Smart Sensor: Process Data Variable; Device Identification, Device Diagnosis	
Min. process cycle time [ms]	2.3	
IO-Link resolution pressure [bar]	0.001	
IO-Link process data (cyclical)	Function	bit length
	pressure	14
	binary switching information	2
IO-Link functions (acyclical)	application specific tag	
Status_B High Resolution / CMPT = 3		
Profiles	Smart Sensor ED2: Digital Measuring Sensor (0x000A), Identification and Diagnosis (0x4000)	
Min. process cycle time [ms]	3	
IO-Link resolution pressure [bar]	0.001	
IO-Link process data (cyclical)	Function	bit length
	pressure	16
	device status	4
IO-Link functions (acyclical)	application specific tag	
Operating conditions		
Ambient temperature [°C]	-25...80	
Storage temperature [°C]	-40...100	
Protection	IP 65; IP 67	
Tests / approvals		
EMC	DIN EN 61000-6-2	
	DIN EN 61000-6-3	
Shock resistance	DIN EN 60068-2-27	50 g (11 ms)
Vibration resistance	DIN EN 60068-2-6	20 g (10...2000 Hz)
MTTF [years]	138	
UL approval	UL approval number	J012
Pressure equipment directive	sound engineering practice; can be used for group 2 fluids; group 1 fluids on request	
Mechanical data		
Weight [g]	222.5	
Material	stainless steel (1.4404 / 316L); PBT+PC-GF30; PBT-GF20; PC	
Materials (wetted parts)	stainless steel (1.4404 / 316L); Al2O3 (ceramics); FKM	
Min. pressure cycles	100 million	
Tightening torque [Nm]	> 50; (Depends on lubrication, seal and pressure rating)	
Process connection	threaded connection 1/4" NPT Internal thread	
Restrictor element integrated	no (can be retrofitted)	
Displays / operating elements		
Display	Display unit	3 x LED, green (bar, psi, kPa)
	Switching status	2 x LED, yellow
	Measured values	alphanumeric display, red/green 4-digit
Remarks		
Pack quantity	1 pcs.	

PN2296



Pressure sensor with display

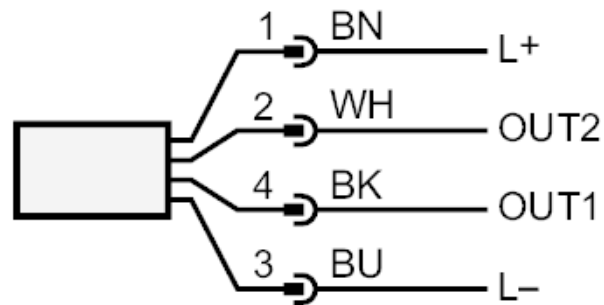
PN-2,5-REN14-MFRKG/US/IV

Electrical connection

Connector: 1 x M12; coding: A; Contacts: gold-plated



Connection



OUT1	Switching output IO-Link
OUT2	Switching output analog output
	Core colors :
BK =	black
BN =	brown
BU =	blue
WH =	white