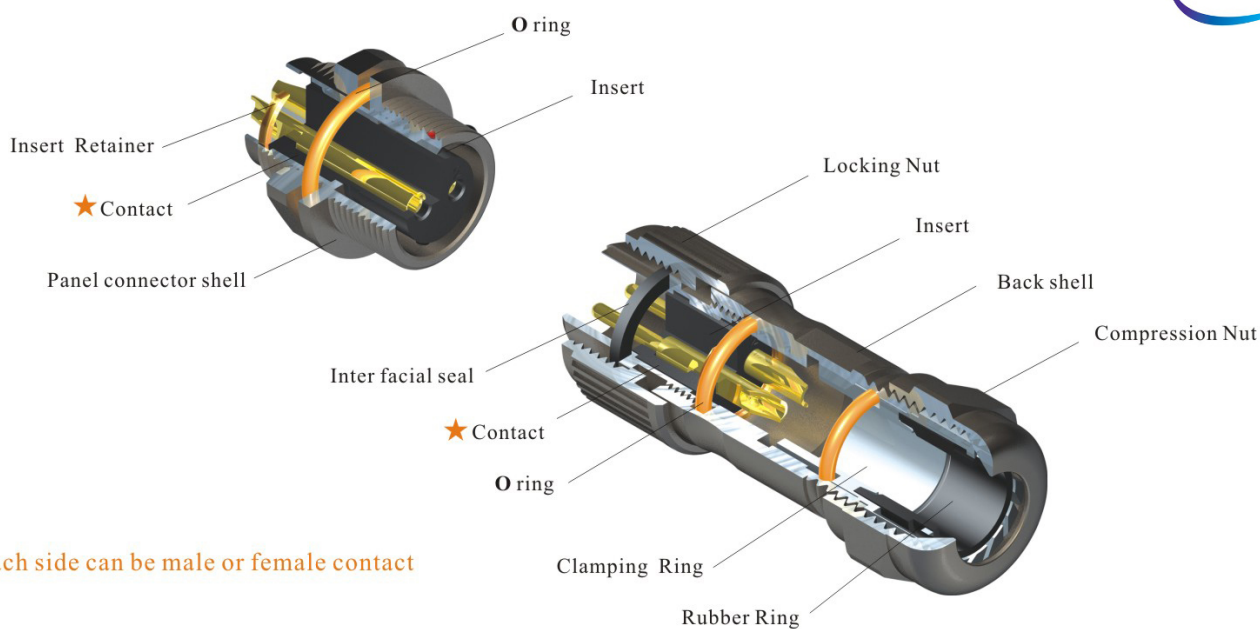




● ST12 IP67 Push-pull coupling



★ Each side can be male or female contact


**Material and spec**

Coupling	Threaded coupling
Shell material	Zinc alloy with black nickel plating
Insert material	PPS max temperature 260 °C
Contact material	Brass with gold plating
Termination	Solder
Cable outer diameter range	5-8mm
IP rating	IP67
Mating cycle	>500
Temperature range	-25°C~+85°C
Insulation resistance MΩ	2000

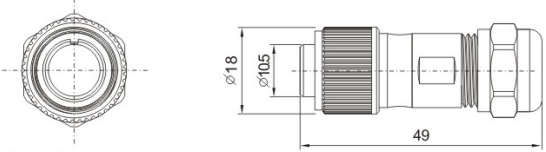
# ST12 Series IP67



**Cable connector**  
Mate with ST1211, ST1212, ST1213



ST1210 / P\_      ST1210 / S\_

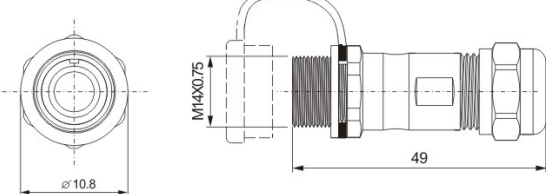


Number of contact: 2. 3. 4. 5. 6. 7. 9


**In-line cable connector**  
Mate with ST1210



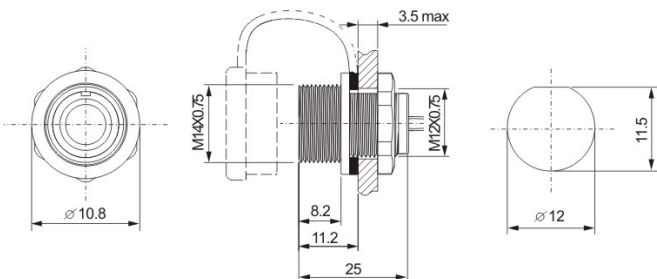
ST1211 / P\_      ST1211 / S\_



**Rear mount**  
Mate with ST1210




ST1212 / P\_      ST1212 / S\_

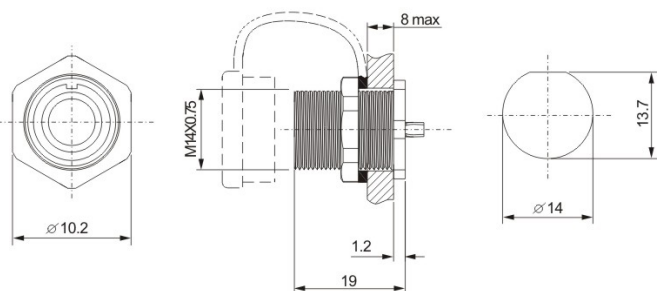


Number of contact: 2. 3. 4. 5. 6. 7. 9

**Front mount**  
Mate with ST1210



ST1213 / P\_      ST1213 / S\_



## Contact arrangement and spec

Number of contact	2	3	4	5	6	7	9
Male contact face view							
Rated current (A)	13A	13A	5A	5A	5A	5A	3A
Contact diameter	∅ 1.6X2	∅1.6X3	∅ 1X4	∅1X5	∅ 1X6	∅ 1X7	∅ 0.7X9
Rated voltage (AC.V)	250V	250V	200V	180V	125V	125V	125V
Test voltage(AC.V) 1 min	1500V	1500V	1500V	1000V	1000V	1000V	1000V
Contact resistance <sup>mΩ</sup>	2	2	5	5	5	5	10
Wire size mm <sup>2</sup> /AWG	≤2/14	≤2/14	≤0.785/18	≤0.785/18	≤0.785/18	≤0.785/18	≤0.785/18