

Features

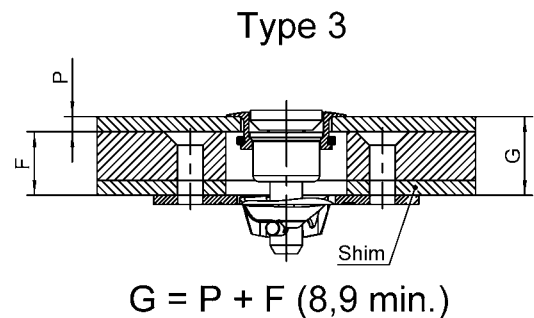
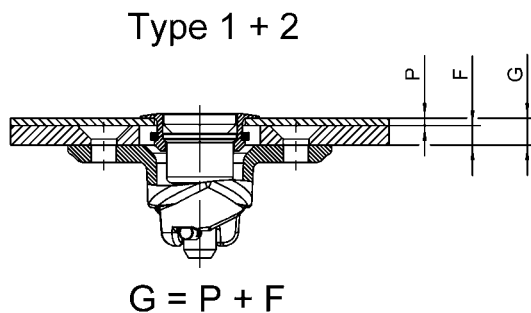
Max. tensile strength 4.700 N, working load 3.100 N.
Small fastener for high tensile load.
Large range of stud assemblies with fixed and floating receptacles

Selection Instructions

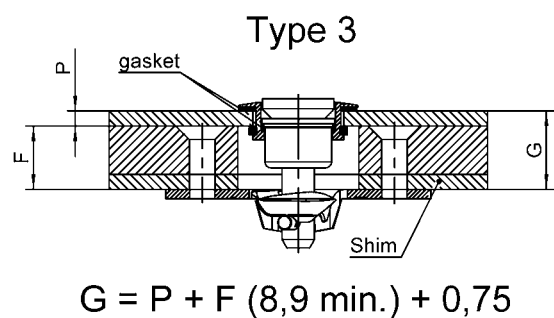
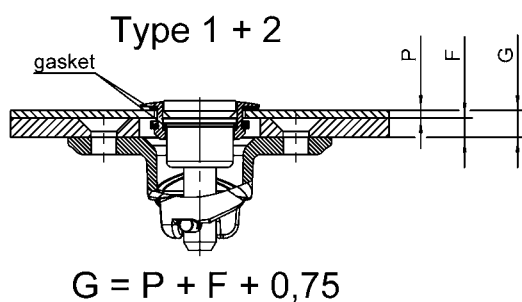
1. Select stud assembly, page G-4 and G-5, grommet and snap-on retaining ring, page G-7 and receptacle, page G-8 and G-9.
2. Select retaining washer, page G-6, for studs from length no. 5.
3. Select stud length number from total thickness G using the formula and the table on page G-2 and G-3 (e.g. D 4002-*AGV).

Determining the stud length number when using receptacle:

Standard version



Sealed version



When Using the Following Grommet and Receptacles:

Flush Mounting Grommets
D4002-G-AGV D4002-H-AGV
4002-GS 4002-HS

Total Thickness G	Stud Length No. When Using Type 1 Receptacles	Total Thickness G	Stud Length No. When Using Type 2 Receptacles	Total Thickness G	Stud Length No. When Using Type 3 Receptacles
0,50 - 1,30	-	0,50 - 1,30	-	8,90 - 9,65	2
1,30 - 2,05	-	1,30 - 2,05	2	9,65 - 10,40	3
2,05 - 2,80	2	2,05 - 2,80	3	10,40 - 11,20	4
2,80 - 3,55	3	2,80 - 3,55	4	11,20 - 11,95	5
3,55 - 4,30	4	3,55 - 4,30	5	11,95 - 12,70	6
4,30 - 5,10	5	4,30 - 5,10	6	12,70 - 13,50	7
5,10 - 5,85	6	5,10 - 5,85	7	13,50 - 14,20	8
5,85 - 6,60	7	5,85 - 6,60	8	14,20 - 15,00	9
6,60 - 7,30	8	6,60 - 7,30	9	15,00 - 15,75	10
7,30 - 8,15	9	7,30 - 8,15	10	15,75 - 16,50	11
8,15 - 8,90	10	8,15 - 8,90	11	16,50 - 17,30	12
8,90 - 9,65	11	8,90 - 9,65	12	17,30 - 18,00	13
9,65 - 10,40	12	9,65 - 10,40	13	18,00 - 18,80	14
10,40 - 11,20	13	10,40 - 11,20	14	18,80 - 19,55	15
11,20 - 11,95	14	11,20 - 11,95	15	19,55 - 20,30	16
11,95 - 12,70	15	11,95 - 12,70	16	20,30 - 21,10	17
12,70 - 13,50	16	12,70 - 13,50	17	21,10 - 21,85	18
13,50 - 14,20	17	13,50 - 14,20	18	21,85 - 22,60	19
14,20 - 15,00	18	14,20 - 15,00	19	22,60 - 23,40	20
15,00 - 15,75	19	15,00 - 15,75	20	23,40 - 24,15	21
15,75 - 16,50	20	15,75 - 16,50	21	24,15 - 24,90	22
16,50 - 17,30	21	16,50 - 17,30	22	24,90 - 25,65	23
17,30 - 18,00	22	17,30 - 18,00	23	25,65 - 26,40	24
18,00 - 18,80	23	18,00 - 18,80	24	26,40 - 27,20	25
18,80 - 19,55	24	18,80 - 19,55	25	27,20 - 27,95	26
19,55 - 20,30	25	19,55 - 20,30	26	27,95 - 28,70	27
20,30 - 21,10	26	20,30 - 21,10	27	28,70 - 29,50	28
21,10 - 21,85	27	21,10 - 21,85	28	29,50 - 30,20	29
21,85 - 22,60	28	21,85 - 22,60	29	30,20 - 31,00	30
22,60 - 23,40	29	22,60 - 23,40	30	31,00 - 31,75	31
23,40 - 24,15	30	23,40 - 24,15	31	31,75 - 32,50	32
24,15 - 24,90	31	24,15 - 24,90	32	32,50 - 33,30	33
24,90 - 25,65	32	24,90 - 25,65	33	33,30 - 34,05	34
25,65 - 26,40	33	25,65 - 26,40	34	34,05 - 34,80	35
26,40 - 27,20	34	26,40 - 27,20	35		
27,20 - 27,95	35				

Other lengths on request.

■ Preferred dash-lengths

When Using the Following Grommet and Receptacles:


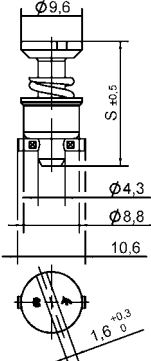

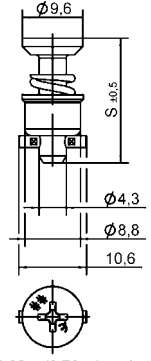

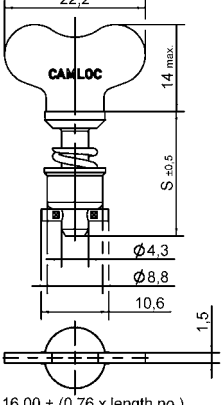
Plus Flush Mounting Grommets

D4002-N-AGV D4002-O-AGV D4002-P-AGV
4002-NS 4002-OS D4002-P-BP

Total Thickness G	Stud Length No. When Using Type 1 Receptacles	Total Thickness G	Stud Length No. When Using Type 2 Receptacles	Total Thickness G	Stud Length No. When Using Type 3 Receptacles
0,50 - 1,30	1	0,50 - 1,30	2	8,90 - 9,65	3
1,30 - 2,05	2	1,30 - 2,05	3	9,65 - 10,40	4
2,05 - 2,80	3	2,05 - 2,80	4	10,40 - 11,20	5
2,80 - 3,55	4	2,80 - 3,55	5	11,20 - 11,95	6
3,55 - 4,30	5	3,55 - 4,30	6	11,95 - 12,70	7
4,30 - 5,10	6	4,30 - 5,10	7	12,70 - 13,50	8
5,10 - 5,85	7	5,10 - 5,85	8	13,50 - 14,20	9
5,85 - 6,60	8	5,85 - 6,60	9	14,20 - 15,00	10
6,60 - 7,30	9	6,60 - 7,30	10	15,00 - 15,75	11
7,30 - 8,15	10	7,30 - 8,15	11	15,75 - 16,50	12
8,15 - 8,90	11	8,15 - 8,90	12	16,50 - 17,30	13
8,90 - 9,65	12	8,90 - 9,65	13	17,30 - 18,00	14
9,65 - 10,40	13	9,65 - 10,40	14	18,00 - 18,80	15
10,40 - 11,20	14	10,40 - 11,20	15	18,80 - 19,55	16
11,20 - 11,95	15	11,20 - 11,95	16	19,55 - 20,30	17
11,95 - 12,70	16	11,95 - 12,70	17	20,30 - 21,10	18
12,70 - 13,50	17	12,70 - 13,50	18	21,10 - 21,85	19
13,50 - 14,20	18	13,50 - 14,20	19	21,85 - 22,60	20
14,20 - 15,00	19	14,20 - 15,00	20	22,60 - 23,40	21
15,00 - 15,75	20	15,00 - 15,75	21	23,40 - 24,15	22
15,75 - 16,50	21	15,75 - 16,50	22	24,15 - 24,90	23
16,50 - 17,30	22	16,50 - 17,30	23	24,90 - 25,65	24
17,30 - 18,00	23	17,30 - 18,00	24	25,65 - 26,40	25
18,00 - 18,80	24	18,00 - 18,80	25	26,40 - 27,20	26
18,80 - 19,55	25	18,80 - 19,55	26	27,20 - 27,95	27
19,55 - 20,30	26	19,55 - 20,30	27	27,95 - 28,70	28
20,30 - 21,10	27	20,30 - 21,10	28	28,70 - 29,50	29
21,10 - 21,85	28	21,10 - 21,85	29	29,50 - 30,20	30
21,85 - 22,60	29	21,85 - 22,60	30	30,20 - 31,00	31
22,60 - 23,40	30	22,60 - 23,40	31	31,00 - 31,75	32
23,40 - 24,15	31	23,40 - 24,15	32	31,75 - 32,50	33
24,15 - 24,90	32	24,15 - 24,90	33	32,50 - 33,30	34
24,90 - 25,65	33	24,90 - 25,65	34	33,30 - 34,05	35
25,65 - 26,40	34	25,65 - 26,40	35		
26,40 - 27,20	35				


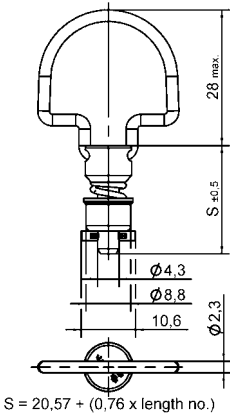

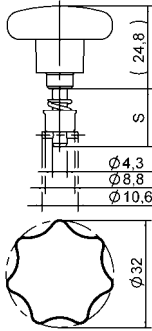

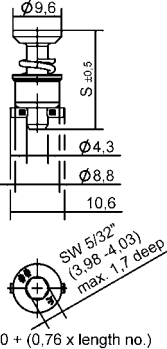
Other lengths on request.

■ Preferred dash-lengths


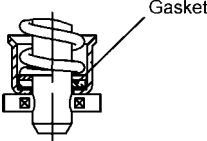

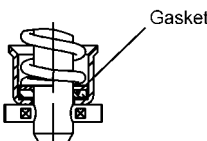
Style	Dimensions	Materials / Finish	°C	Part No.
<p>Slotted Recess Head</p> 	 <p>$S = 16,00 + (0,76 \times \text{length no.})$</p>	<p>Steel / zinc-plated, CrVI-free, clear passivation</p> <p>Stainless steel</p>	<p>120</p> <p>200</p>	<p>D4002-*AGV</p> <p>D4002-*BP</p>
<p>Cross Recess Head</p> 	 <p>$S = 16,00 + (0,76 \times \text{length no.})$</p>	<p>Steel / zinc-plated CrVI-free, clear passivation</p> <p>Stainless steel</p>	<p>120</p> <p>200</p>	<p>D40S5-*AGV</p> <p>D40S5-*BP</p>
<p>Fixed Wing Head</p> 	 <p>$S = 16,00 + (0,76 \times \text{length no.})$</p>	<p>Steel / zinc-plated, CrVI-free, clear passivation</p> <p>Stainless steel</p>	<p>120</p> <p>200</p>	<p>D4002-*WAGV</p> <p>D4002-*WBP</p>

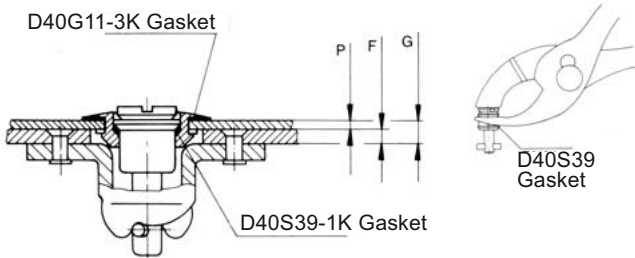
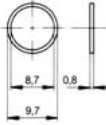
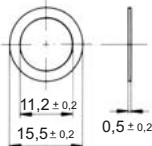
* Length no. from Table, page G-2 and G-3

¹⁾ Max. tensile strength 3.300 N, working load 2.200 N

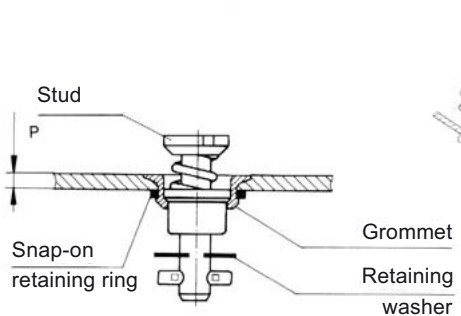
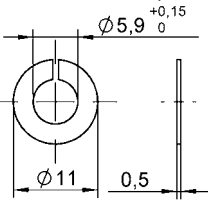
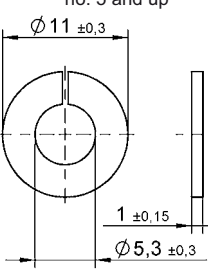
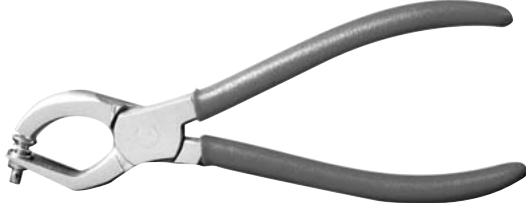
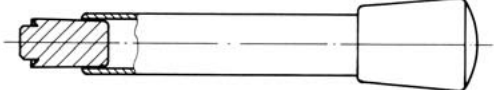
Style	Dimensions	Materials / Finish	°C	Part No.
<p>180° Folding Bail Handle</p> 	 <p>$S = 20.57 + (0.76 \times \text{length no.})$</p>	Steel / zinc-plated, CrVI-free, clear passivation	120	D40S47-*AGV
<p>Star Form Head</p> 		Steel / zinc-plated, CrVI-free, clear passivation	-40 up to +60	D40E22-*AGV
<p>Hex Recess Head</p> 	 <p>$S = 16.00 + (0.76 \times \text{length no.})$</p>	Steel / zinc-plated, CrVI-free, clear passivation	120	D40E28-*AGV


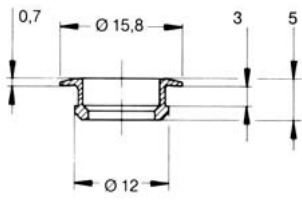

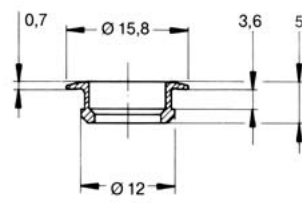

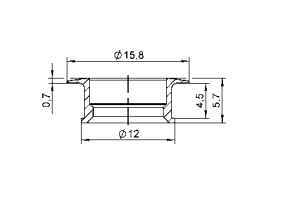

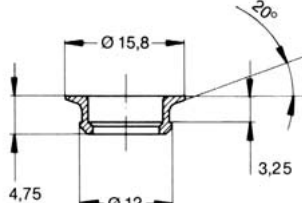

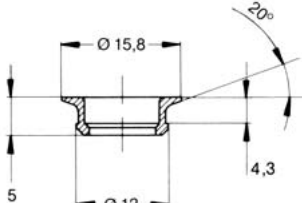
* Length no. from Table, page G-2 and G-3

Style	Dimensions	Materials / Finish	°C	Part No.
<p>Sealed Slotted Recess Head</p> 	 <p>Additional required gasket see page G-4</p>	<p>Steel / zinc-plated, CrVI-free, clear passivation</p> <p>Gasket: Rubber</p> <p>Available in Stud Length no. 4 and above</p>	100	D4002I-*AGV
<p>Sealed Cross Recess Head</p> 	 <p>Additional required gasket see page G-4</p>	<p>Steel / zinc-plated, CrVI-free, clear passivation</p> <p>Gasket: Rubber</p> <p>Available in Stud Length no. 4 and above</p>	100	D40S5I-*AGV

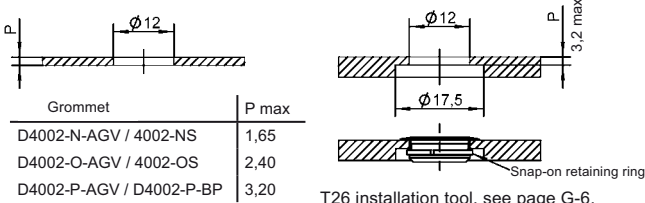
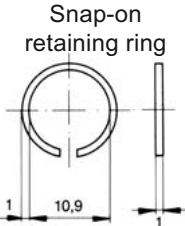
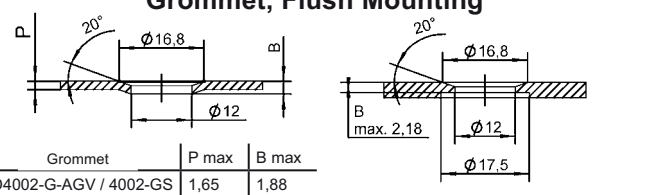
Installation Dimensions	Accessories	Materials / Finish	Part No.
<p>Gasket to be ordered in addition to the sealed stud assembly</p>  <p>D40G11-3K Gasket</p> <p>D40S39-1K Gasket</p>	<p>Gasket</p>  <p>Gasket</p> 	<p>Plastic / (PA6)</p> <p>EPDM black</p>	<p>D40S39-1K</p> <p>D40G11-3K</p>


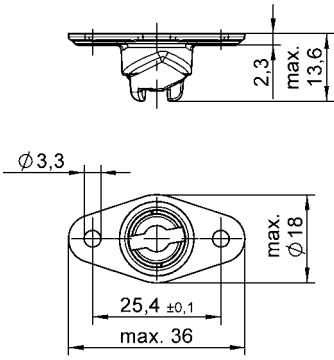

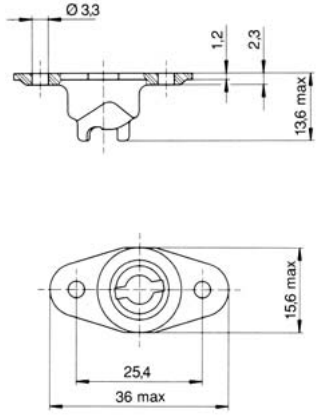

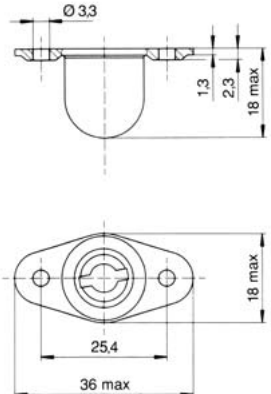
* Length no. from Table, page G-2 and G-3


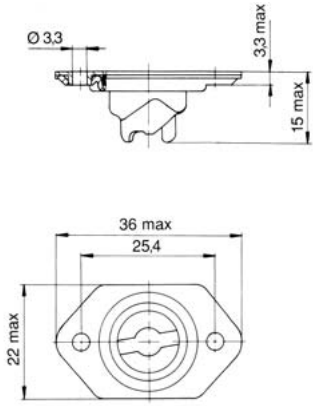

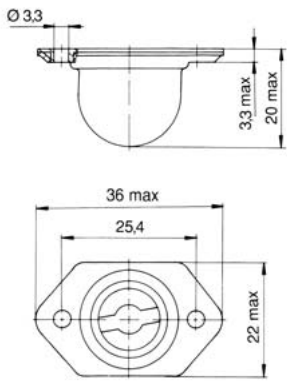

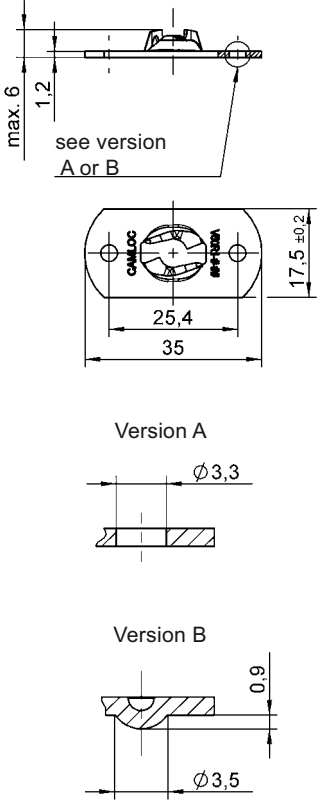
Installation Dimensions	Accessories	Materials / Finish	Part No.
 <p>4P3-1 installation pliers, see below</p>	<p>retaining ring loose on stud use for stud length no. 5 and up</p>  <p>retaining ring loose on stud use for stud length no. 5 and up</p> 	<p>Stainless steel</p> <p>Plastic</p>	<p>4002-SW-SS</p> <p>50W204-01K</p>
	<p>Stud installation pliers</p>		<p>4P3-1</p>
	<p>R4G-* and V40G26-* snap-on retaining ring installation tool</p>		<p>T26</p>

Style	Dimensions	Materials / Finish	°C	Part No.
Plus Flush Mounting For Panel Thickness up to 1,65 		Steel / zinc-plated, CrVI-free, clear passivation Stainless steel	120 200	D4002-N-AGV 4002-NS
Plus Flush Mounting For Panel Thickness from 1,65 to 2,40 		Steel / zinc-plated, CrVI-free, clear passivation Stainless steel	120 200	D4002-O-AGV 4002-OS
Plus Flush Mounting For Panel Thickness from 2,40 to 3,20 		Steel / zinc-plated, CrVI-free, clear passivation Stainless steel	120 200	D4002-P-AGV D4002-P-BP
Flush Mounting For Panel Thickness up to 1,65 		Steel / zinc-plated, CrVI-free, clear passivation Stainless steel	120 200	D4002-G-AGV 4002-GS
Flush Mounting For Panel Thickness from 1,65 to 2,18 		Steel / zinc-plated, CrVI-free, clear passivation Stainless steel	120 200	D4002-H-AGV 4002-HS

Grommets for thicker panels upon request.

Installation Dimensions	Accessories	Materials / Finish	Part No.									
Grommet, Plus Flush Mounting  <table border="1"> <thead> <tr> <th>Grommet</th> <th>P max</th> </tr> </thead> <tbody> <tr> <td>D4002-N-AGV / 4002-NS</td> <td>1,65</td> </tr> <tr> <td>D4002-O-AGV / 4002-OS</td> <td>2,40</td> </tr> <tr> <td>D4002-P-AGV / D4002-P-BP</td> <td>3,20</td> </tr> </tbody> </table> <p>T26 installation tool, see page G-6.</p>	Grommet	P max	D4002-N-AGV / 4002-NS	1,65	D4002-O-AGV / 4002-OS	2,40	D4002-P-AGV / D4002-P-BP	3,20	Snap-on retaining ring 	Steel / zinc plated, CrVI-free, clear passivation Stainless steel Stainless steel/ non-magnetic	R4G-3 V40G26-1BP V40G26-1N	
Grommet	P max											
D4002-N-AGV / 4002-NS	1,65											
D4002-O-AGV / 4002-OS	2,40											
D4002-P-AGV / D4002-P-BP	3,20											
Grommet, Flush Mounting  <table border="1"> <thead> <tr> <th>Grommet</th> <th>P max</th> <th>B max</th> </tr> </thead> <tbody> <tr> <td>D4002-G-AGV / 4002-GS</td> <td>1,65</td> <td>1,88</td> </tr> <tr> <td>D4002-H-AGV / 4002-HS</td> <td>2,18</td> <td>2,97</td> </tr> </tbody> </table> <p>T26 installation tool, see page G-6.</p>	Grommet	P max	B max	D4002-G-AGV / 4002-GS	1,65	1,88	D4002-H-AGV / 4002-HS	2,18	2,97			
Grommet	P max	B max										
D4002-G-AGV / 4002-GS	1,65	1,88										
D4002-H-AGV / 4002-HS	2,18	2,97										

Style	Dimensions	Materials / Finish	°C	Part No.
<p>Type 1 Cast</p> 		<p>Hard bronze / zinc-plated, CrVI-free, clear passivation</p> <p>Stainless steel</p>	<p>120</p> <p>200</p>	<p>D214-16FGV</p> <p>214-16S</p>
<p>Type 1 Cast Narrow Width</p> 		<p>Hard bronze / zinc-plated, CrVI-free, clear passivation</p>	<p>120</p>	<p>D214-16NFGV</p>
<p>Type 1 Cast Encapsulated</p> 		<p>Hard bronze / zinc-plated, CrVI-free, clear passivation</p> <p>Capsule: Brass / zinc-plated, CrVI-free, clear passivation</p>	<p>150</p>	<p>D40R12-1FGV</p>

Style	Dimensions	Materials / Finish	°C	Part No.
<p>Type 2 Float up to 0,75 mm (Cast Receptacle)</p> 		<p>Hard bronze / zinc-plated, CrVI-free, clear passivation</p> <p>Cage: Steel / zinc-plated, CrVI-free, clear passivation</p> <p>Stainless steel</p>	<p>120</p> <p>200</p>	<p>D244-16-FGV</p> <p>244-16S</p>
<p>Type 2 Float up to 0,75 mm Encapsulated</p> 		<p>Hard bronze / zinc-plated, CrVI-free, clear passivation</p> <p>Capsule: Steel / zinc-plated, CrVI-free, clear passivation</p> <p>Stainless steel</p>	<p>120</p> <p>200</p>	<p>D244-16C-FGV</p> <p>244-16SC</p>
<p>Type 3 Flat Rivet / Screw or Weld Mounting</p> 	 <p>Version A</p> <p>Version B</p>	<p>Rivet / Screw Mounting (A) Hard bronze / zinc-plated, CrVI-free, clear passivation</p> <p>Stainless steel</p> <p>Welding (B) Steel / zinc-plated</p> <p>Steel/oil-coated</p>	<p>120</p> <p>200</p> <p>-</p> <p>-</p>	<p>V50R1-1-1AGV</p> <p>V50R1-1-1BP</p> <p>V50R1-1-2AZ</p> <p>V50R1-1-2AR</p>

Installation Dimensions

Types 1, 2 and 3
Receptacle Hole Pattern

