



Specifications

Max.vacuum level	-85kPa
Max.vacuum flow rate	220l/m
Air supply pressure	4-6bar Max.7bar
Air supply pressure(opt)	4.5bar
Air supply type	Dry compressed air
Working temperature	-20°C to +80°C
Noise level	50-68dBA

Features

- ☆ These pumps are compact and low weight design. Because the pumps are too small they can be mounted locally to the vacuum requirement even directly onto the back of suction cups if required.
- ☆ They use a Multi Stage Ejector principal for generating the vacuum, provide large capacity vacuum flow combined with high grade plastic, making the pumps resilient to most hazardous vapours
- ☆ The pump can have seal materials options of Viton® & EPDM for corrosive and acidic applications.

How to Order

ABM5 – B – V

① ② ③

① Model-Capacity equivalent to electricity motor pump size

ABM5	0.05KW
ABM10	0.10KW
ABM20	0.20KW
ABM30	0.30KW

② Air Supply, Vacuum, Exhaust Port

	Air Supply	Vacuum	Exhaust
A	M5-Φ6	G1/8"	Internal silencer
NA	M5-Φ6	NPSF1/8"	Internal silencer
B	G1/8"	G3/8"	Internal silencer
BA	G1/8"	G3/8"	Internal silencer connection plate-AL
NB	NPSF1/8"	NPSF3/8"	Internal silencer
NBA	NPSF1/8"	NPSF3/8"	Internal silencer connection plate-AL
C	G1/8"	G3/8"	External silencer
NC	NPSF1/8"	NPSF3/8"	External silencer

※ Standard pump model

ABM5-A, NA, B, BA, NB, NBA, C, NC ABM10-A, NA, B, BA, NB, NBA, C, NC ABM20-B, BA, NB, NBA,C, NC ABM30-B, BA, NB, NBA,C, NC

③ Sealing

No mark	Standard (NBR)
V	VITON
E	EPDM

ABM

ABX

ABM/ABX
Combined type

AM

AL

AH

AM
Combined type

AL
Combined type

AH
Combined type

AZL112

AZL212

ACP

ACPF

ACV

AZH

AZU

ASBP

Technical Parameters

Model	Max.vacuum level (-kPa)	Max.vacuum flow (l/min)	Air consumption (l/min)	Noise level (dBA)	Min tube inner Φ (within 2m)		
					Air supply	Vacuum	Exhaust
ABM5	85	37	12-20	50-65	>2	>5	>8
ABM10		75	28-42	55-68	>2	>8	>10
ABM20		150	55-85	60-68	>4	>10	>12
ABM30		220	87-125	60-68	>6	>12	>15

※ Remarks: type weight= ABM5-A (B,BA,NBA,C,NC) :32.5g (38g,58g,58g,38g,38g)
 ABM10-A (B,BA,NBA,C,NC) : 32g (37.5g,57.5g,57.5g,37.5g,37.5g)
 ABM20-B (BA,NB,NBA,C,NC) : 50g (70g,70g,70g,50g,50g)
 ABM30-B (BA,NB,NBA,C,NC) : 62.5g (82.5g,82.5g,82.5g,62.5g,62.5g,)

Vacuum flow(l/min)at different vacuum levels(-kPa)

Model \ -kPa	Air supply pressure	0	10	20	30	40	50	60	70	80	Max.vacuum level
ABM5	4.5bar	35	20.5	12	10.5	8.5	6.5	4.5	2.5	0.8	-85kPa
ABM10		70	40.5	25	21	18	14	9.5	5	1.3	
ABM20		141	77	45	39.5	29.5	25	17.5	12	3	
ABM30		175	105	70	63	53	40	26	14	6.5	

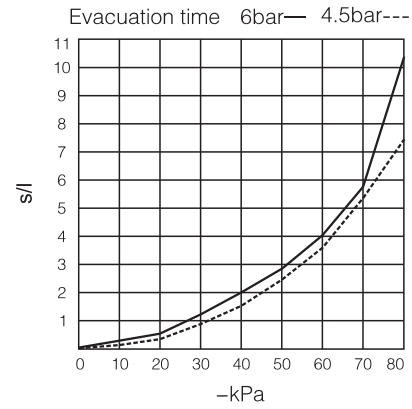
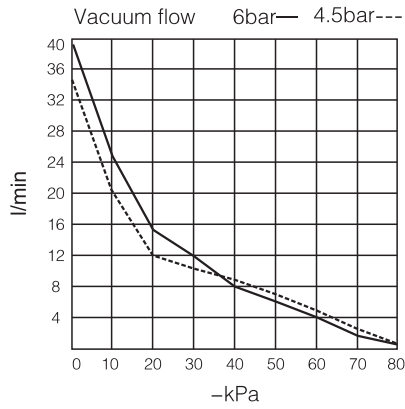
Model \ -kPa	Air supply pressure	0	10	20	30	40	50	60	70	80	Max.vacuum level
ABM5	6bar	37	25	15.5	12	8	6	4	2.7	0.6	-85kPa
ABM10		75	55	27	20	18	12	9	5	2	
ABM20		150	100	55	38	30	24	16	11	3.2	
ABM30		220	150	81	65	50	38	27	18	5	

Evacuation time(s/l)to reach different vacuum levels(-kPa)

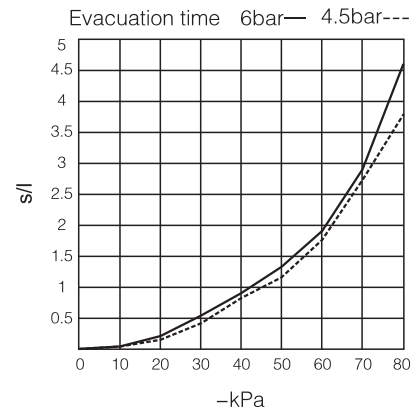
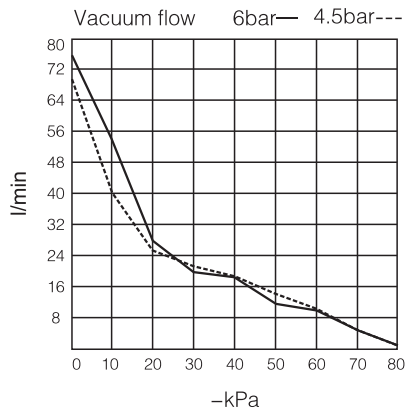
Model \ -kPa	Air supply pressure	10	20	30	40	50	60	70	80
ABM5	4.5bar	0.11	0.42	0.95	1.66	2.5	3.65	5.25	7.89
ABM10		0.08	0.2	0.44	0.8	1.24	1.8	2.55	3.8
ABM20		0.04	0.12	0.23	0.41	0.65	0.93	1.33	2.03
ABM30		0.03	0.09	0.16	0.27	0.43	0.66	0.95	1.43

Model \ -kPa	Air supply pressure	10	20	30	40	50	60	70	80
ABM5	6bar	0.13	0.51	1.15	1.93	2.87	4.09	5.84	10.46
ABM10		0.029	0.23	0.53	0.92	1.37	1.95	2.77	4.62
ABM20		0.023	0.15	0.28	0.46	0.71	1.02	1.48	2.55
ABM30		0.015	0.077	0.138	0.308	0.49	0.69	1.02	1.75

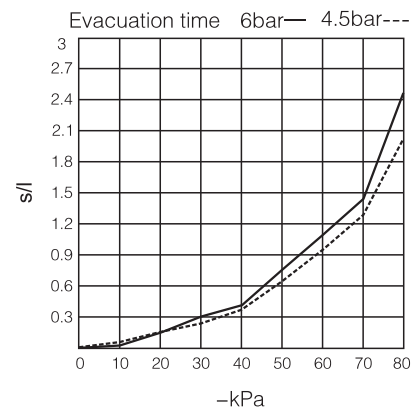
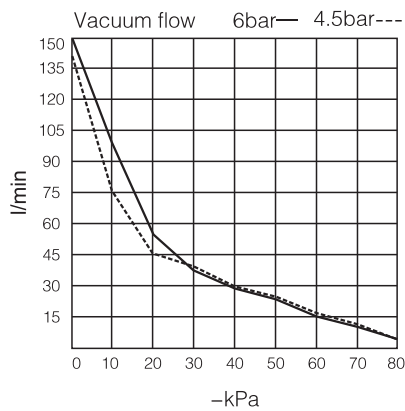
• **ABM5**



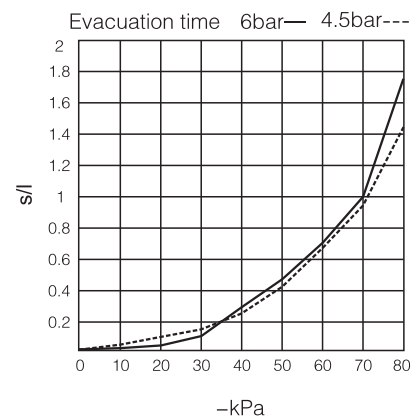
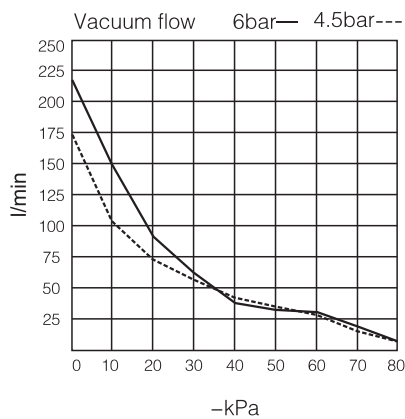
• **ABM10**



• **ABM20**



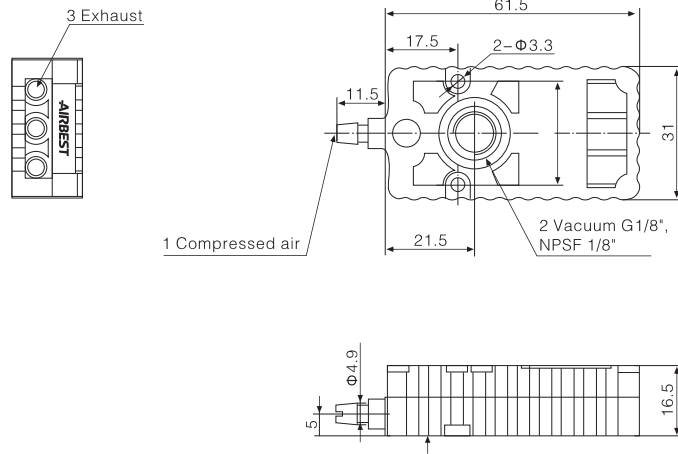
• **ABM30**



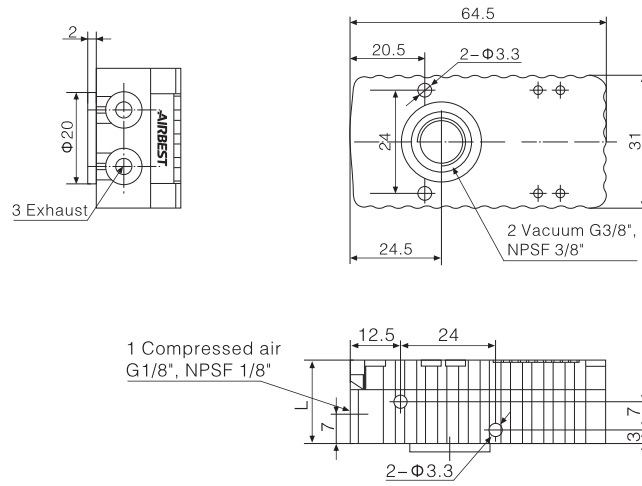
- ABM
- ABX
- ABM/ABX Combined type
- AM
- AL
- AH
- AM Combined type
- AL Combined type
- AH Combined type
- AZL112
- AZL212
- ACP
- ACPF
- ACV
- AZH
- AZU
- ASBP

Dimensions (mm)

5
ABM(10)-A(NA)

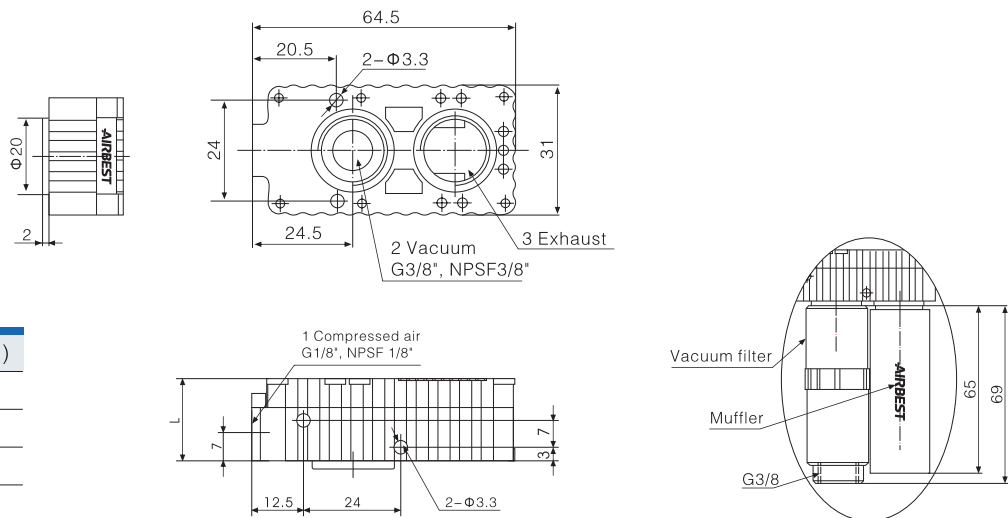


5 B
ABM(10)-(BA)
20 NB
30 NBA



Model	L(mm)
ABM5	20.5
ABM10	20.5
ABM20	27.5
ABM30	35

5
ABM(10)-C(NC)
20
30



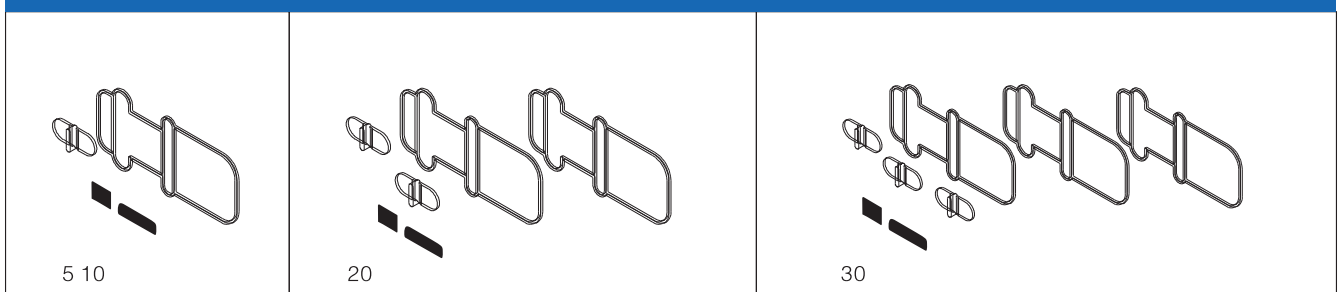
Model	L(mm)
ABM5	20.5
ABM10	20.5
ABM20	27.5
ABM30	35

How to order(Sealing elements)



Specification	Sealing gasket	Valve plate
Standard(NBR)	02.0050.419	02.0050.421
VITON	02.0050.420	02.0050.422
EPDM	02.0050.465	02.0050.466

Repair kits



Model	Ordering Code		
	NBR	VITON	EPDM
ABM5-A(B, C)	01.0005.402	01.0005.602	01.0005.802
ABM10-A(B, C)	01.0010.402	01.0010.602	01.0010.802
ABM20-B(C)	01.0020.404	01.0020.604	01.0020.804
ABM30-B(C)	01.0030.406	01.0030.606	01.0030.806

Vacuum Pumps

ABM

ABX

ABM/ABX
Combined type

AM

AL

AH

AM
Combined type

AL
Combined type

AH
Combined type

AZL112

AZL212

ACP

ACPF

ACV

AZH

AZU

ASBP



Specifications

Max.vacuum level	-93kPa	
Max.vacuum flow rate	185l/m	
Air supply pressure	4-6bar Max.7bar	
Air supply pressure(opt)	ABX5-ABX20	4.5bar
	ABX30	5bar
Air supply type	Dry compressed air	
Working temperature	-20°C to +80°C	
Noise level	50-68dBA	

How to Order

ABX5 – B – V

① ② ③

① Model-Capacity equivalent to electricity motor pump size

ABX5	0.05KW
ABX10	0.10KW
ABX20	0.20KW
ABX30	0.30KW

② Air Supply, Vacuum, Exhaust Port

	Air Supply	Vacuum	Exhaust
A	M5- φ 6	G1/8"	Internal silencer
NA	M5- φ 6	NPSF1/8"	Internal silencer
B	G1/8"	G3/8"	Internal silencer
BA	G1/8"	G3/8"	Internal silencer
			connection plate-AL
NB	NPSF1/8"	NPSF3/8"	Internal silencer
NBA	NPSF1/8"	NPSF3/8"	Internal silencer
			connection plate-AL
C	G1/8"	G3/8"	External silencer
NC	NPSF1/8"	NPSF3/8"	External silencer

※ Standard pump model

ABX5-A, NA, B, BA, NB, NBA, C, NC ABX10-A, NA, B, BA, NB, NBA, C, NC ABX20-B, BA, NB, NBA,C, NC

ABX30-B, BA, NB, NBA, C, NC:

③ Sealing

No mark	Standard (NBR)
V	VITON
E	EPDM

Features

- ☆ These pumps are compact and low weight design. Because the pumps are too small they can be mounted locally to the vacuum requirement even directly onto the back of suction cups if required.
- ☆ They use a Multi Stage Ejector principal for generating the vacuum, provide large capacity vacuum flow combined with high grade plastic, making the pumps resilient to most hazardous vapours
- ☆ ABX has the same external dimensions to that of ABM however the internal ejector system is different to enable higher levels of vacuum to be achieved.
- ☆ The pump can have seal materials options of Viton® & EPDM for corrosive and acidic, applications.

Technical Parameters

Model	Max.vacuum level (-kPa)	Max.vacuum flow (l/min)	Air consumption (l/min)	Noise level (dBA)	Min tube inner Φ (within 2m)		
					Air supply	Vacuum	Exhaust
ABX5	92	32	18-22	50-65	>2	>5	>8
ABX10		63	31-40	55-68	>2	>8	>10
ABX20		125	79-89	60-69	>4	>10	>12
ABX30		185	128-137	60-69	>6	>12	>15

※ Remarks: type weight= ABX5-A(B,BA,NBA,C,NC):32.5g(38g,58g,58g,38g,38g)
 ABX10-A(B,BA,NBA,C,NC):32g(37.5g,57.5g,57.5g,37.5g,37.5g)
 ABX20-B(BA,NB,NBA,C,NC):50g(70g,70g,70g,50g,50g)
 ABX30-B(BA,NB,NBA,C,NC):62.5g(82.5g,82.5g,82.5g,62.5g,62.5g)

Vacuum flow(l/min)at different vacuum levels(-kPa)

Model \ -kPa	Air supply pressure	0	10	20	30	40	50	60	70	80	90	Max.vacuum level
ABX5	4.5bar	30	13	7.5	7	6	5	4	3.2	1.8	0.4	-92kPa
ABX10		52	24	18	15	13	10.5	8	6	2.5	0.8	
ABX20		100	46	34	30.5	25	21	17	10.5	5	1.6	
ABX30	5bar	180	95	55	45.5	40.5	30.5	25	19	11.5	3	

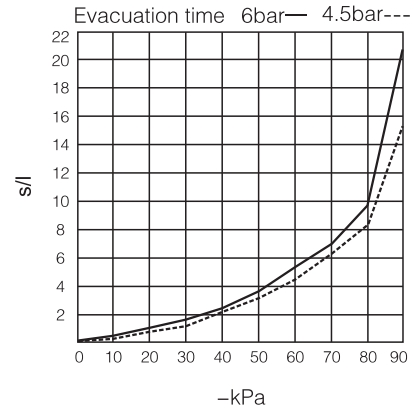
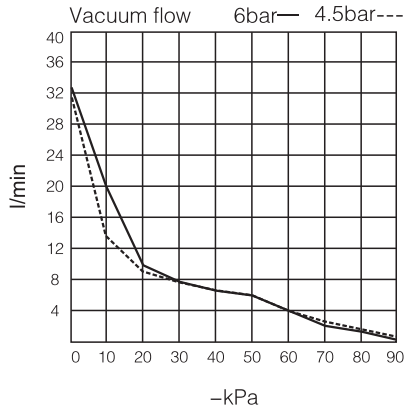
Model \ -kPa	Air supply pressure	0	10	20	30	40	50	60	70	80	90	Max.vacuum level
ABX5	6bar	32	20	8.5	7.5	6	5	4	3	1.5	0.15	-93kPa
ABX10		63	36	18	16	12.5	10.5	8.5	6	3.5	0.5	
ABX20		125	73	35	30	25	22	18	12	7	0.9	
ABX30		185	103	51	46	38	31	25	19	12	1.8	

Evacuation time(s/l)to reach different vacuum levels(-kPa)

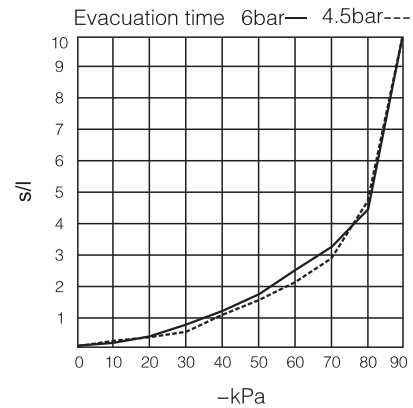
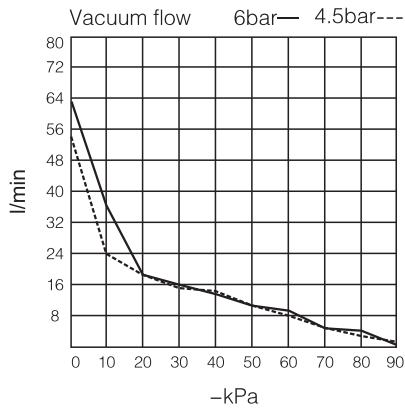
Model \ -kPa	Air supply pressure	10	20	30	40	50	60	70	80	90
ABX5	4.5bar	0.13	0.6	1.26	2.3	3.2	4.5	6.15	8.5	15.5
ABX10		0.11	0.3	0.65	1.1	1.55	2.15	2.85	4.7	10.2
ABX20		0.09	0.16	0.32	0.55	0.8	1.5	1.8	2.7	5
ABX30		0.06	0.12	0.23	0.36	0.53	0.76	1.1	1.6	2.9

Model \ -kPa	Air supply pressure	10	20	30	40	50	60	70	80	90
ABX5	6bar	0.15	0.71	1.52	2.54	3.72	5.12	6.95	9.7	21
ABX10		0.09	0.32	0.71	1.18	1.74	2.4	3.26	4.55	10.2
ABX20		0.046	0.15	0.31	0.52	0.77	1.08	1.54	2.15	4.92
ABX30		0.025	0.123	0.23	0.38	0.58	0.82	1.11	1.54	3

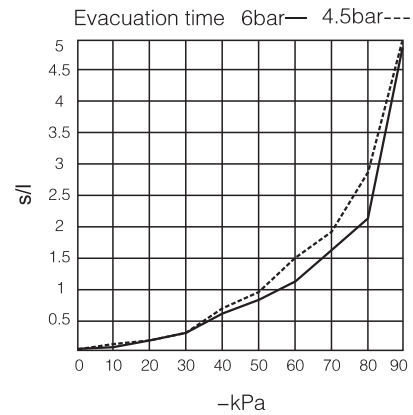
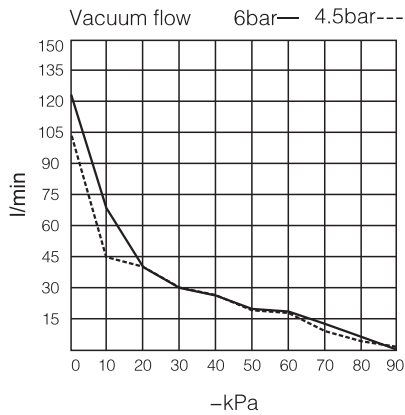
• **ABX5**



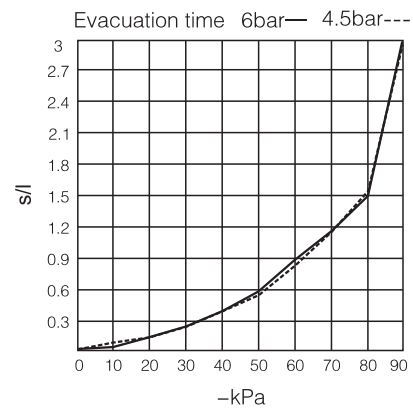
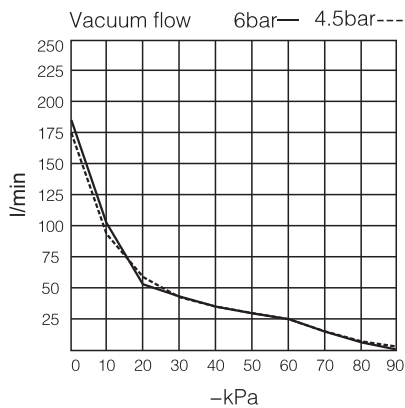
• **ABX10**



• **ABX20**

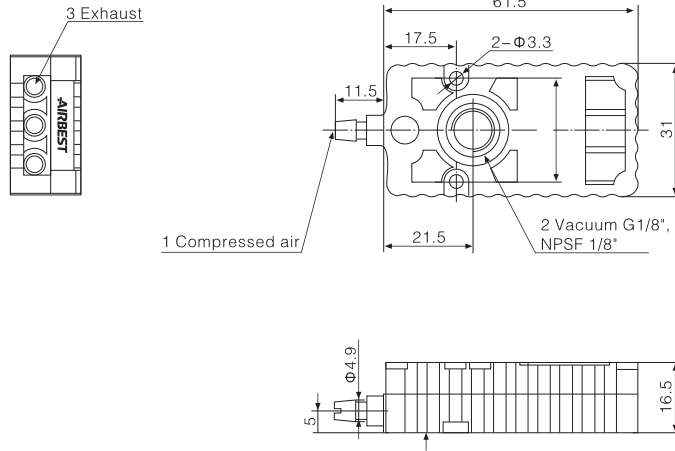


• **ABX30**

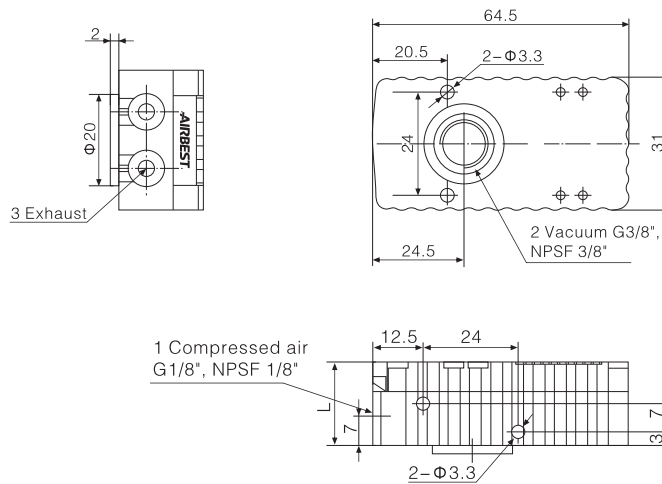


Dimensions (mm)

5
ABX(10)-A(NA)

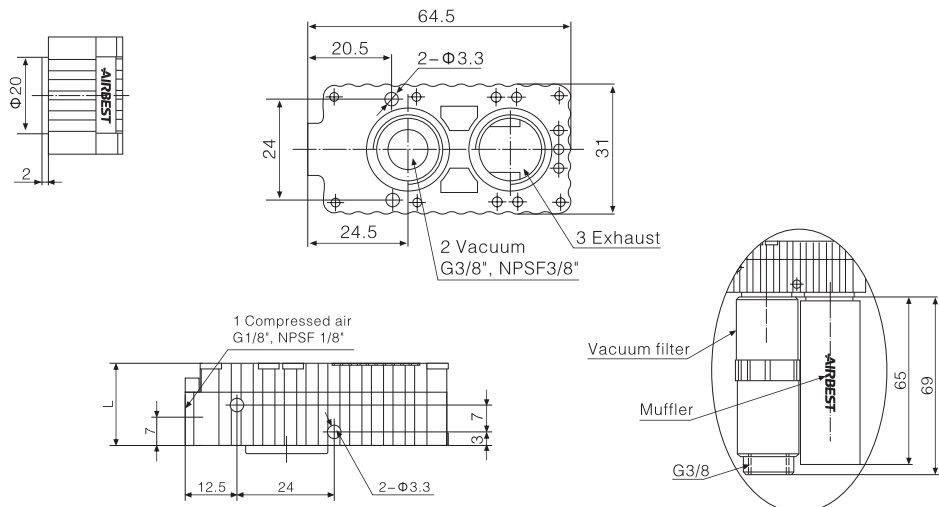


5 B
ABX(10)-(BA)
20 NB
30 NBA



Model	L(mm)
ABX5	20.5
ABX10	20.5
ABX20	27.5
ABX30	35

5
ABX(10)-C(NC)
20
30



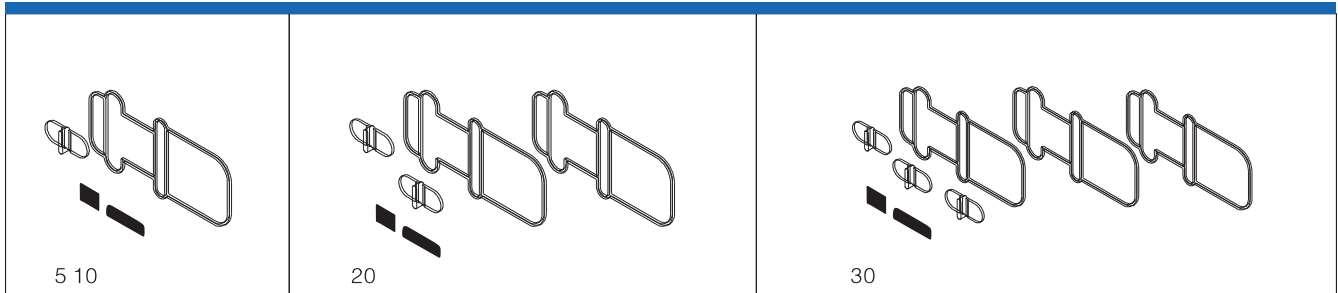
Model	L(mm)
ABX5	20.5
ABX10	20.5
ABX20	27.5
ABX30	35

How to order(Sealing elements)



Specification	Sealing gasket	Valve plate
Standard(NBR)	02.0050.419	02.0050.421
VITON	02.0050.420	02.0050.422
EPDM	02.0050.465	02.0050.466

Repair kits



Model	Ordering Code		
	NBR	VITON	EPDM
ABX5-A(B, C)	01.0005.402	01.0005.602	01.0005.802
ABX10-A(B, C)	01.0010.402	01.0010.602	01.0010.802
ABX20-B(C)	01.0020.404	01.0020.604	01.0020.804
ABX30-B(C)	01.0030.406	01.0030.606	01.0030.806