

The **T/LL70** series is a comprehensive range of vertical float level switches designed around the proven and reliable magnet and reed switch principle.

Comprising many build variants, the T/LL70 is customised to each application by means of materials, connection, header style, reed rating etc. Some examples are shown below:



Specification

Electrical:

- Reeds:
 - quantity: up to 12 switched levels
 - switching: N/O, N/C, changeover or latched
 - current up to 3.0 A
 - power up to 100VA
 - voltage up to 300VAC

Fitting:

- Standard: 1/2" BSP, 1" BSP, 1.1/2" BSP
- Optional: Other fittings are available on request

Fluid Types:

Fluids compatible with the construction materials

Terminations:

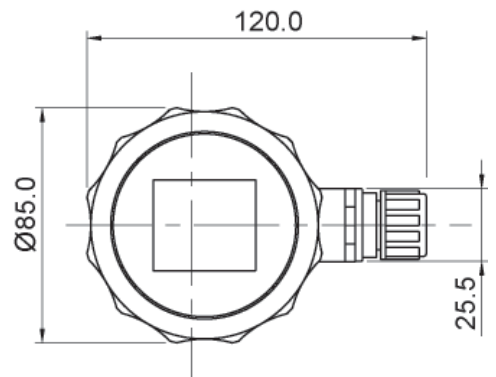
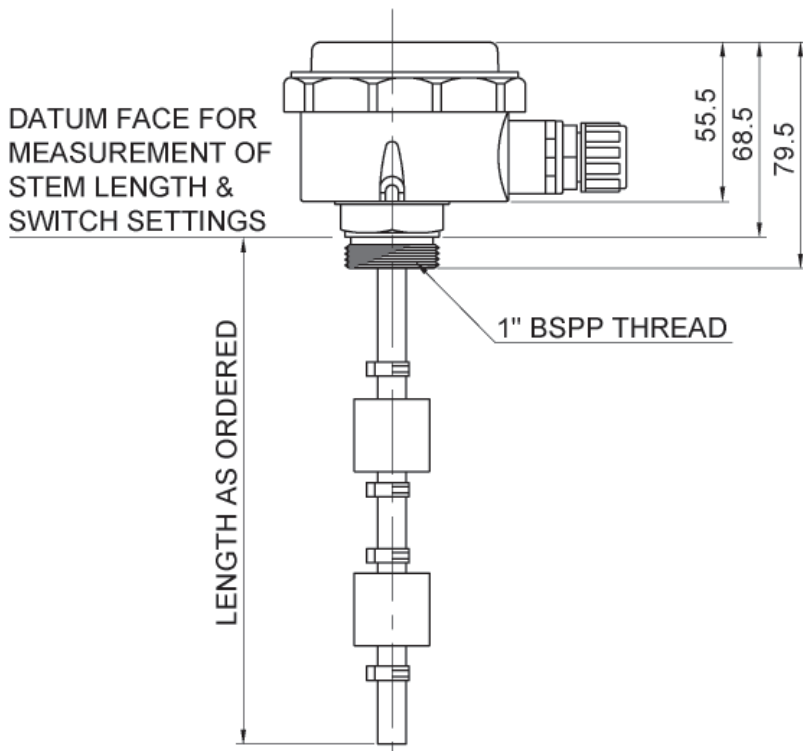
IP67 terminal box, DIN connector, flying leads

Construction:

- Header: Brass, PVC or 316 Stainless steel
- Stem: Brass, PVC or 316 Stainless steel
- Float: Buna N, Polypropylene or 316 stainless steel

Environmental ratings:

Temperature: - operating -20°C to +70°C
T/LL70 has been vibration tested to BS EN 60068-2-64:1993 (7.4grms)



Stem material	Max length
Brass	2.25M
PVC	1.5M
Stainless steel	3M

Fozmula Limited, Berrington Road, Leamington Spa, Warwickshire, CV31 1NB, UK
Tel: +44(0)1926 466700 Fax: +44(0)1926 450473 E-mail: sales@fozmula.com Website: www.fozmula.com