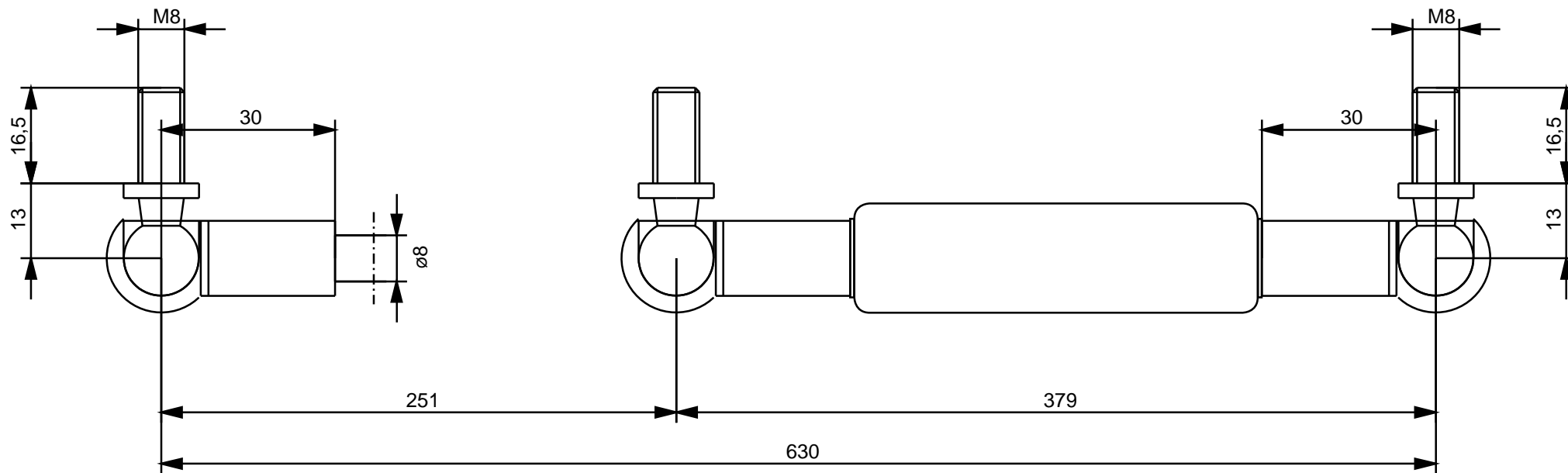


G 08 19 0250 1 0630 WG30 WG30 00450N

25.10.2019 Ersin Kaya

Check the force and the measurements with your original very carefully, as we can not take back any wrong ordered gas spring.

like 214928.1



HAHN-Gasfedern GmbH
Waldstrasse 43 73773 Aichwald

Please note our technical instructions

Assembly / storing with piston rod down

No opening , no heating - high pressure

Tel: +49 711 9367 05 0	ekaya	part	dimension	material	surface	end fittings	progression: 31,6 %
Fax: +49 711 9367 05 40	25.10.2019	piston rod	Ø8mm	steel	hard-chrome plated	WG30 M8 CS13	
EMail: info@hahn-gasfedern.de		cylinder	Ø19mm	steel	black	WG30 M8 CS13	
Web: www.hahn-gasfedern.de							