

EM BASIC, 230 – 240 V 50/60 Hz

BASIC version

**Product description**

- _ Emergency lighting supply unit for manual testing
- _ For linear and compact fluorescent lamps
- _ Small dimensions (28 x 39 mm cross-section)
- _ 5-year guarantee

Properties

- _ 1 or 3 h rated duration
- _ Compatible with all electronic ballasts (dimmable and non-dimmable)
- _ Can also be used in combination with conventional magnetic ballasts
- _ 5-pole technology: 4-pole lamp changeover and delayed power switching for the ballast
- _ Optimised AC output voltage for TC-DD and TC-L lamps
- _ Optimised DC output voltage for T8 lamps
- _ Cathode heating adapted for compact lamps
- _ Switchover relay with high-current contacts
- _ IDC (insulation displacement connection)
- _ Green charge status display LED
- _ Checking the emergency lighting function by interrupting the unswitched phase
- _ Optional test switch
- _ Deep discharge protection
- _ Battery connection, short-circuit protected (not reversible)
- _ Polarity reversal protection for battery

Batteries

- _ High-temperature cells
- _ NiCd batteries
- _ D or Cs cells
- _ Blade terminals for simple connection
- _ 4-year design life
- _ 1-year guarantee

Website

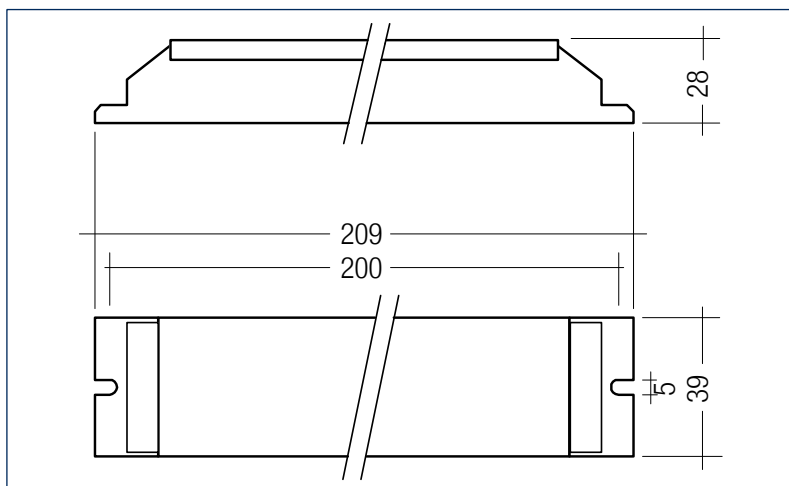
<http://www.tridonic.com/89818556>



EM BASIC, 230 – 240 V 50/60 Hz

BASIC version

The complete data sheet for this product is available in the Downloads section.

**Ordering data**

Type	Article number	Number of cells	Packaging, carton	Packaging, pallet	Weight per pc.
Rated operating time 3 h					
EM 33A BASIC	89818556	3	25 pc(s).	750 pc(s).	0.337 kg

Technical data

Rated supply voltage	230 – 240 V
Mains frequency	50 / 60 Hz
Mains current	0.04 A
Rated power	7 W
Battery charging time	24 h
Discharge current 1 h Cs cells	1.1 A
Discharge current 1 h D cells	2.25 A
Discharge current 3 h	1.1 A
Charge current Cs cells	120 mA
Charge current D cells	210 mA
Leakage current (PE)	0.5 mA
Ambient temperature t_a	0 ... +50 °C
Max. casing temperature t_c	75 °C
Mains voltage changeover threshold	According to EN 60598-2-22
Min. lamp starting temperature (emergency mode)	0 °C
Type of protection	IP20
Protection class	I

Approval marks**Standards**

Acc. to EN 50172, Acc. to EN 60598-2-22, EN 61347-2-7, EN 60929, EN 55015, EN 61000-3-2, EN 61000-3-3, EN 61547, EN 60068-2-29, EN 60068-2-30, EN 60068-2-64