

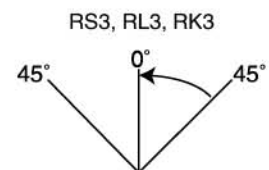
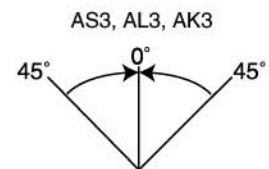
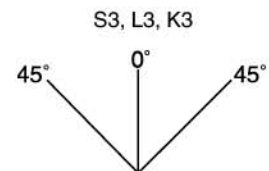
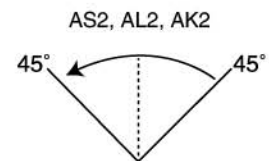
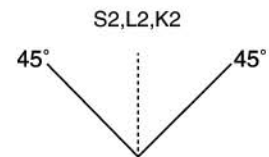


## SELECTOR SWITCH

**KSL25 Series****CLASSIFICATION****KSL - 25 W S2 - L 1C R 1 1**

① ② ③ ④ ⑤ ⑥ ⑦

① PROTECTION	NONE	IP40
	W	IP65 (except illuminated model)
② ACTUATOR	S2	2 STEPS MANUAL RETURN with short knob
	S3	3 STEPS MANUAL RETURN with short knob
	AS2	2 STEPS SPRING RETURN with short knob
	AS3	3 STEPS SPRING RETURN with short knob
	RS3	3 STEPS L: MANUAL, R: SPRING with short knob
	L2	2 STEPS MANUAL RETURN with long knob
	L3	3 STEPS MANUAL RETURN with long knob
	AL2	2 STEPS SPRING RETURN with long knob
	AL3	3 STEPS SPRING RETURN with long knob
	RL3	3 STEPS L: MANUAL, R: SPRING with long knob
RK3	3 STEPS L: MANUAL, R: SPRING with key	
③ LAMP	NONE	N/A
	L	LED LAMP
④ INPUT VOLTAGE	1A	110VAC AT 50/60 Hz
	2A	220VAC AT 50/60 Hz
	3A	230VAC AT 50/60 Hz
	1C	6V AC/DC
	2C	12V AC/DC
	3C	24 AC/DC
⑤ LAMP COLOR	R	RED
	G	GREEN
	Y	YELLOW
⑥ CONTACTS	No.	NUMBER OF NO CONTACT
⑦ CONTACTS	No.	NUMBER OF NC CONTACT





**CONTROL COMPONENTS**



KSL25S2	KSL25WS2	KSL25S3	KSL25WS3
KSL25AS2	KSL25WAS2	KSL25AS3	KSL25WAS3
KSL25RS3	KSL25WRS3		

SQUARE LIGHT

TOWER LIGHT

MICRO SWITCH



KSL25L2	KSL25WL2	KSL25L3	KSL25WL3
KSL25AL2	KSL25WAL2	KSL25AL3	KSL25WAL3
KSL25RL3	KSL25WRL3		

FOOT SWITCH

LIMIT SWITCH

POWER SWITCH



KSL25K2	KSL25WK2	KSL25K3	KSL25WK3
KSL25AK2	KSL25WAK2	KSL25AK3	KSL25WAK3
KSL25RK3	KSL25WRK3		

HOIST SWITCH

CAM SWITCH

BUZZER

PHOTO SENSOR

PROXIMITY SENSOR



**ILLUMINATED SELECTOR**

KSL25S2	KSL25WS2	KSL25S3	KSL25WS3
KSL25AS2	KSL25WAS2	KSL25AS3	KSL25WAS3
KSL25RS3	KSL25WRS3		

FLOATLESS LEVEL SWITCH

TIMER & COUNTER

RELAY



**ILLUMINATED SELECTOR - WITHOUT TRANSFORMER**

KSL25S2	KSL25WS2	KSL25S3	KSL25WS3
KSL25AS2	KSL25WAS2	KSL25AS3	KSL25WAS3
KSL25RS3	KSL25WRS3		

SOCKETS

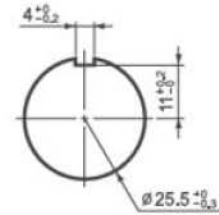
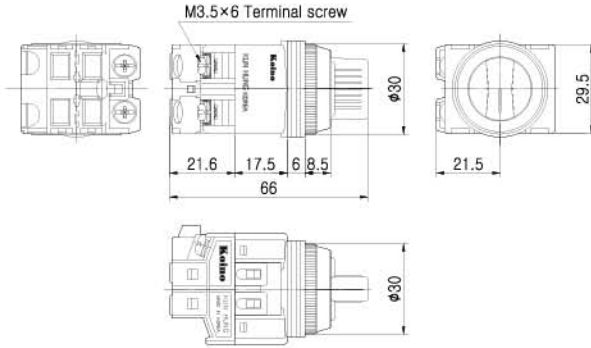
TERMINAL BLOCK

CONTROL BOX

PID TEMP. CONTROLLER

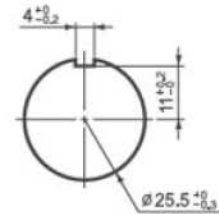
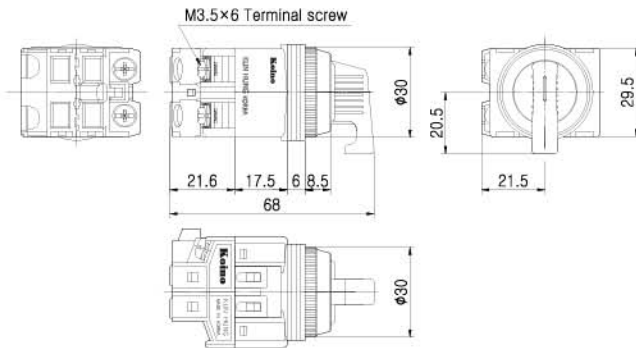


KSL25S2 KSL25S3 KSL25RS3 KSL25AS2 KSL25AS3  
 KSL25WS2 KSL25WS3 KSL25WRS3 KSL25WAS2 KSL25WAS3



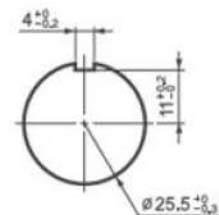
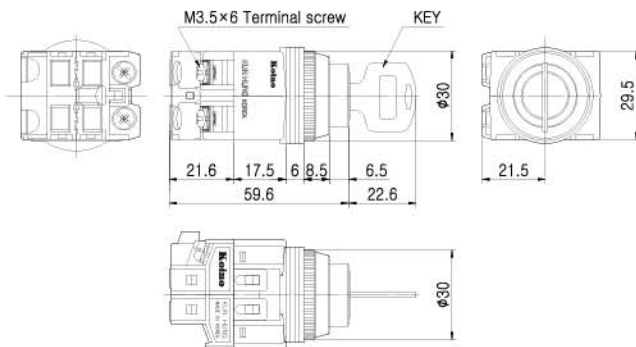
PANEL CUT-OUT

KSL25RL3 KSL25AL2 KSL25AL3 KSL25L2 KSL25L3  
 KSL25WRL3 KSL25WAL2 KSL25WAL3 KSL25WL2 KSL25WL3



PANEL CUT-OUT

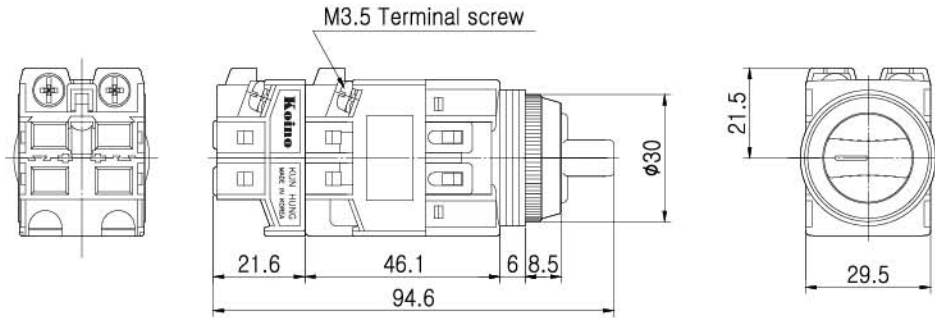
KSL25K2 KSL25K3 KSL25AK2 KSL25AK3 KSL25RK3  
 KSL25WK2 KSL25WK3 KSL25WAK2 KSL25WAK3 KSL25WRK3



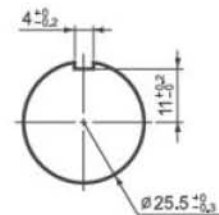
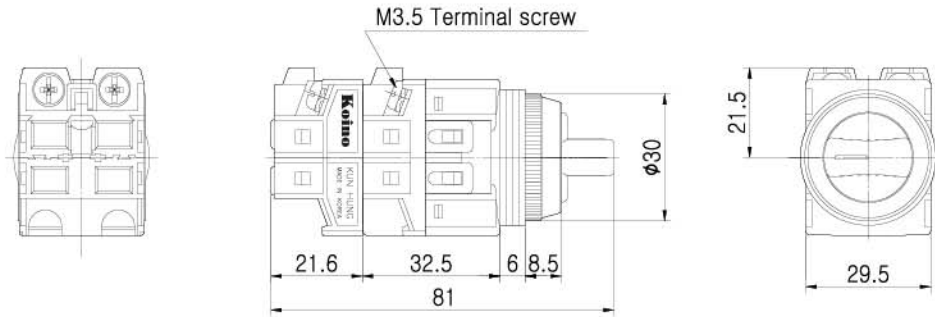
PANEL CUT-OUT



ILLUMINATED KSL25S2/S3



ILLUMINATED KSL25S2/S3 WITHOUT TRANSFORMER



PANEL CUT-OUT

CONTROL COMPONENTS

SQUARE LIGHT

TOWER LIGHT

MICRO SWITCH

FOOT SWITCH

LIMIT SWITCH

POWER SWITCH

HOIST SWITCH

CAM SWITCH

BUZZER

PHOTO SENSOR

PROXIMITY SENSOR

FLOATLESS LEVEL SWITCH

TIMER & COUNTER

RELAY

SOCKETS

TERMINAL BLOCK

CONTROL BOX

PID TEMP. CONTROLLER



## Technical Information

### Switching System

The switching element of KSL25 is equipped with normally open contact and normally closed contact.

1A, 1B, 2A, 2B 1A1B, 2A2B 3A1B and 1A3B contacts are available. Normally 4 contact blocks can be assembled

### Material

#### Contact

Silver alloy + Copper

#### Housing

BODY: Nylon glass

CONTACT HOUSING: Nylon glass

#### Knob

Nylon glass

#### Ring

ABS

### Mechanical Characteristics

#### Mechanical Lifetime

100,000 & 30,000 Cycles of operation

#### Install

Tightening torque : Max. 0.8N · m

### Electrical Characteristics

#### Standards

This product comply with “ Standards for low-voltage switching devices” EN IEC 60947-5-1

#### Contact Ratings

250VAC 6A (resistive load)

#### Insulation Resistance

Minimum 100M $\Omega$  (500VDC)

#### Contact Resistance

Maximum 30m $\Omega$

#### Electrical Lifetime

100,000 cycles of operation



## Electrical Characteristics—continues

### Dielectric Strength

Between Live Parts: 1,500VAC(50/60Hz) for 1 minute

Between Live and Dead Parts: 1,500VAC(50/60Hz) for 1 minute

## Environmental conditions

### Operational Temperature

-25° C~+50° C

### Operational Humidity

45~85%RH

### Protection Degree

IP40 / IP65(“W” type)

### Shock Resistance

Approximately 50G(500m/s<sup>2</sup>)

### Vibration Resistance

10~55Hz double amplitude 1.5mm (at X, Y and Z axis)

## Approvals

### Approbations

UL, CCC, KC

### Declaration of Conformity

CE

CONTROL  
COMPONENTS

SQUARE  
LIGHT

TOWER  
LIGHT

MICRO  
SWITCH

FOOT  
SWITCH

LIMIT  
SWITCH

POWER  
SWITCH

HOIST  
SWITCH

CAM  
SWITCH

BUZZER

PHOTO  
SENSOR

PROXIMITY  
SENSOR

FLOATLESS  
LEVEL SWITCH

TIMER &  
COUNTER

RELAY

SOCKETS

TERMINAL  
BLOCK

CONTROL  
BOX

PID TEMP.  
CONTROLLER