

1

2

3

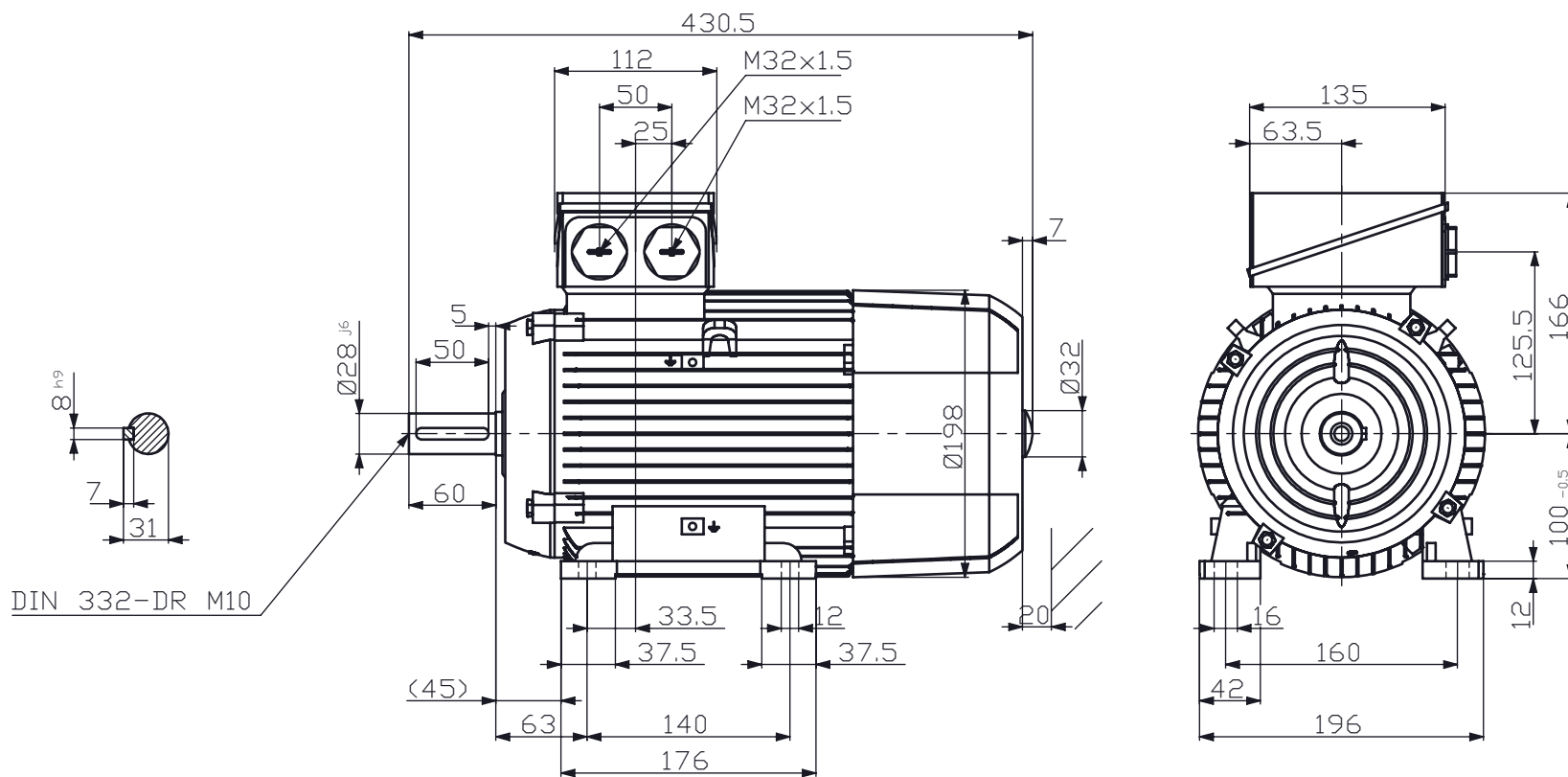
4

5

A

B

C



REVISIONS				
ZONE	REV.	DESCRIPTION	DATE	APPROVED



MOTORTYPE: MA100L04E35
MOUNTING: IM1041
PROTECTION:
COOLING: IC411
REMARKS:
DIMENSIONS: MM
SCALE: 1:5

TITLE: Outline drawing
SPECIAL:
ART. NR.:
REVISION:
PAPER SIZE: A4
PAGE 1 OF 1

DRAWN:
CHECKED:
COMPLETE OR PARTIAL COPYING OR USE OF SPECIFICATIONS IS NOT ALLOWED WITHOUT OUR PERMISSION.
SUBJECT TO ALTERATIONS

