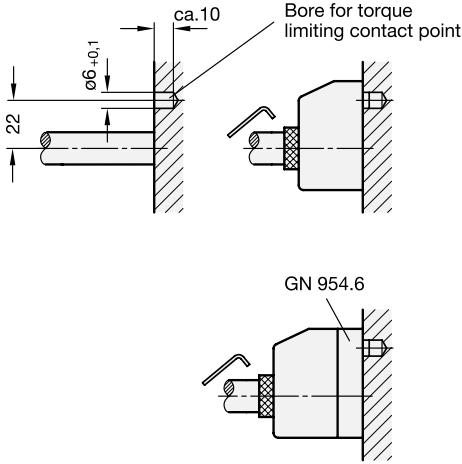


1.1
1.2
1.3
1.4
1.5
1.6
1.7
1.8
1.9

Installation instructions



With the **adapter bushes GN 952.1** → Page 392, the hollow shaft (with Bore 14 H7) of the position indicator can be adapted to fit the spindle.

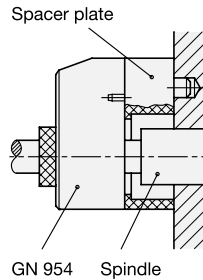
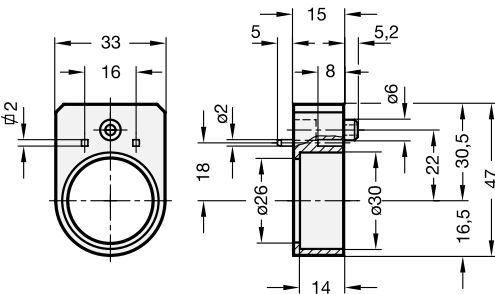
Before installation of the position indicator a bore for the torque limiting contact point is to be placed.

The mounting of the position indicator is via the torque limiting contact point which is connected to the hollow spindle and secured with a grub screw.

Before completing the installation, turn the spindle to the starting point (0) position and zero the position indicator.

With **clamping plates GN 954.6** → Page 393, spindles can be clamped and secured after adjusting.

GN 954.1 | Spacer plate



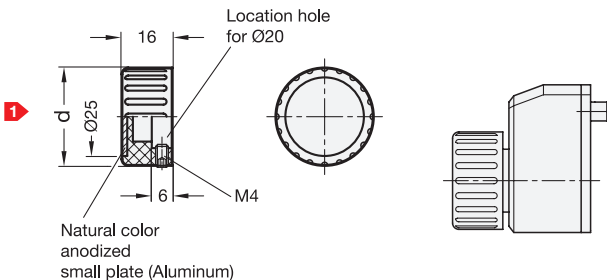
Specification

- Plastic (Polyamide PA) black, matte

The spacer plate GN 954.1 are used for bridging spindle adaptors, spacer rings and so on for GN 954.

Spacer plate
GN 954.1

GN 954.3 | Hand knob



Natural color anodized small plate (Aluminum)

Specification

- Plastic (Polyamide PA) black, matte

The hand knobs GN 954.3 are to fit the position indicator GN 954.

How to order
GN954.3-31 1 d