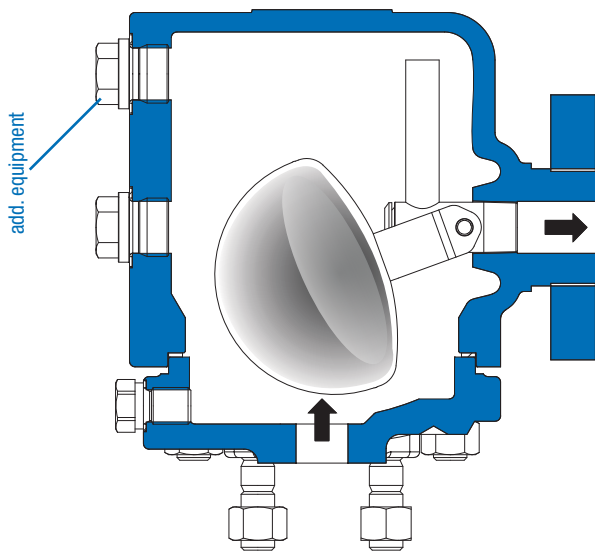
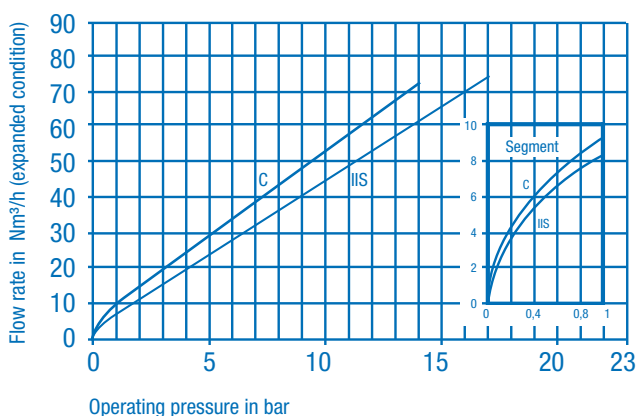


Model Minox-G-8170 Thread



Model Minox-F-8171 Flange

**Performance**

**Housing-Material:** EN-JS 1049

**Nominal diameter:** DN15

**Connections:**

- Flanges DN 15, acc. DIN EN 1092-2, PN 40
- Female thread G ½" (BSP) acc. DIN ISO 228-1
- Female thread ½" NPT acc. ANSI B 1.20.1

**Nominal pressure stage:** PN 25

**Operation-Limits:**

Max. operating pressure bar g	25	22	20	16
Max. operating temperature °C	100	200	300	350

**Application:** Venting of liquid carrying systems

**Function:** The float control assembly discharges air and gases from all liquid carrying systems without time lag, independent of pressure and temperature variations. With the float in the lower position the outlet cross-section is open. Air and gases escape through the upturned immersion tube. Rising of the liquid level lifts the float and closes the outlet.

**Special characteristics:** Only one movable point since the rotary-slide valve is both swivel joint and shut-off device.

**Installation:** Entry from below, lateral exit

**Additional equipment against extra prices:**

- Locking screw G 1/2" (BSP)

To obtain a higher venting performance larger angular types of Rifax float-controlled condensate discharge units can be installed upside down. Depending on the size the venting performance will increase between two to twenty times.

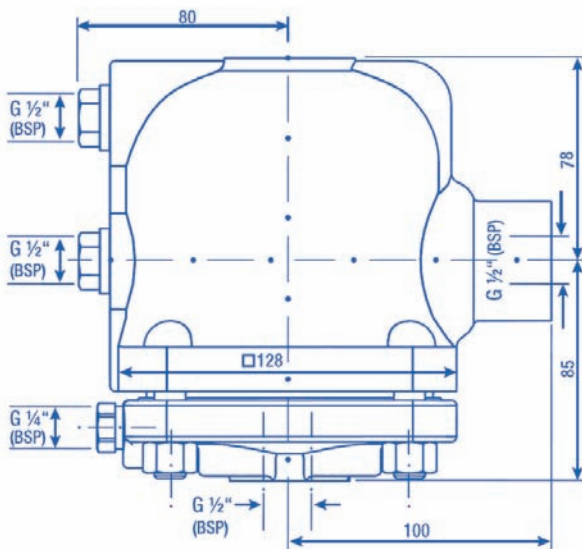
**Function limit:**

Cross-section	max. line pressure in bar g
C	14
IIS	17

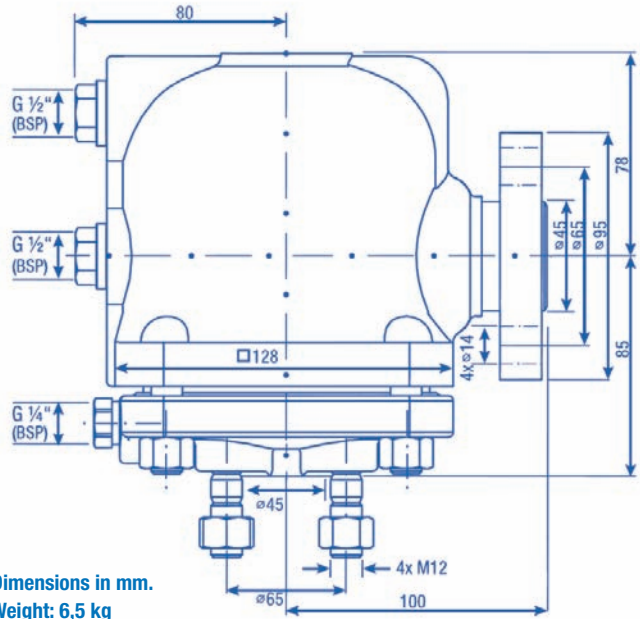
**CE - Mark:**

The pressure equipment described is a pressure-keeping component in accordance with the Pressure Vessel Directive 2014/68/EU of DN15: acc. art. 4, sub3, no CE-mark.

**Please state the following when making inquiries / placing orders:** Medium, density, initial pressure, counter pressure, temperature, quantity of gas / air (Nm<sup>3</sup>/h).

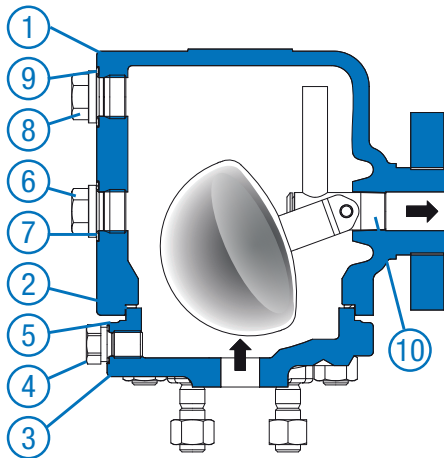


Dimensions in mm.  
Weight: 6 g



Dimensions in mm.  
Weight: 6,5 kg

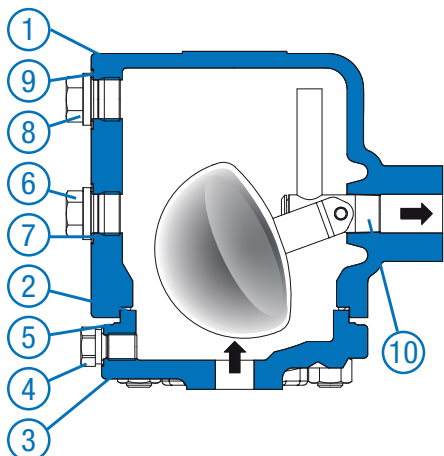
### Spare Parts



- 1 Housing lower part: EN-JS 1049
- 2 Housing seal: Novaphite
- 3 Housing upper part: EN-JS 1049
- 4 Control screw: 1.4104
- 5 Seal for control screw: Soft iron
- 6 Locking screw: DIN 910 - 5.8 - G 1/2" (BSP)
- 7 Seal for locking screw: Soft iron
- 8 Locking screw: DIN 910 - 5.8 - G 1/2" (BSP)
- 9 Seal for locking screw: Soft iron
- 10 Control unit\*\*: 1.4057, 1.4301, 1.4104, 1.4112 or complete 1.4571\*

\* Depends on operating conditions.

\*\* Due to sealing requirements, marked items cannot be supplied as individual parts.



To ensure correct parts delivery, specify part number, works standard sheet number and DN.