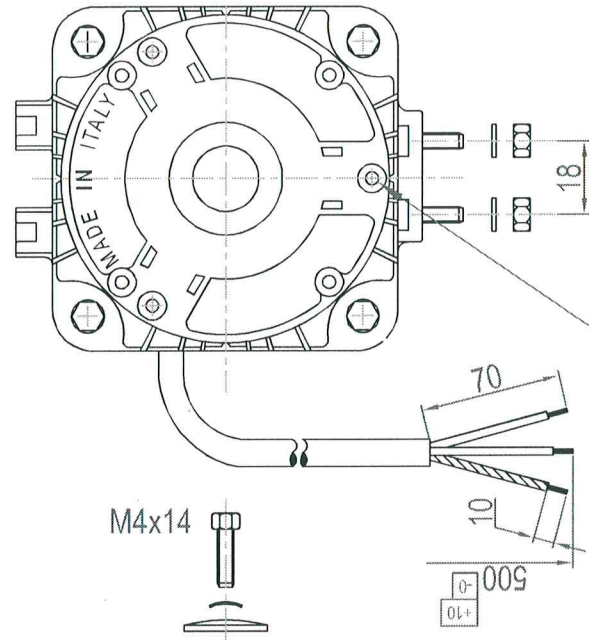
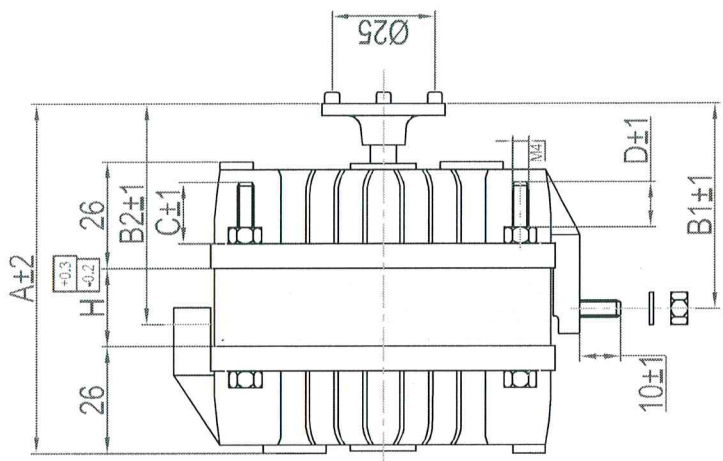
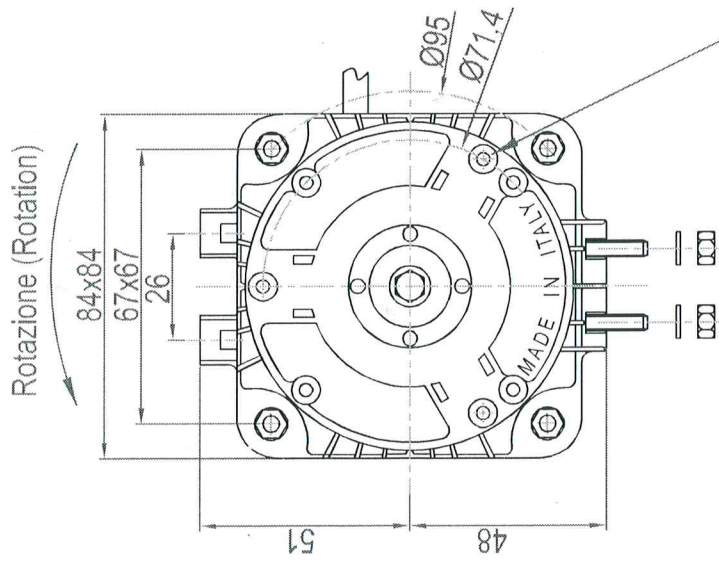


MOTORI A POLI SCHEMATI (SHADED POLE MOTORS)



Gioco assiale (Axial Play): 0.5mm (Min) / 2.5mm (Max)

CODICE (P/N)	V	Hz	Watt (Out/In)	Classe isolamento (Insulation Class)	Protezione da sovraccarico (Overload Protection)	Certificati (Certifications)	H (mm)	A (mm)	B1 (mm)	B2 (mm)	C (mm)	D (mm)	Pz./Scatola (Units/Box) 40x60x40 cm	Scatole/Pallet (Boxes/Pallet) 120x80x160	Peso lordo (Gross Weight) Kg
A.600	220-240	50/60	5/29	F	Impedance	CE/VE	13	78	48	48	15	-	30	30	562
A.700	220-240	50/60	7/40	F	Impedance	CE/VE	19	85	50	54	15	-	30	30	700
A.707	220-240	50/60	10/43	F	Impedance	CE/VE	19	85	50	54	15	-	30	30	700
A.812	220-240	50/60	16/63	F	Thermal	CE/VE	25,4	96	55	65	9	-	15	15	430
A.943	220-240	50/60	20/63	F	Thermal	CE/VE	32	103	73	55	-	10	15	15	529
A.106	220-240	50/60	25.5/75	F	Thermal	CE/VE	38,3	118	88	63	9	-	15	15	580
A.210	220-240	50/60	34/100	F	Thermal	CE/VE	38,3	118	88	63	9	-	15	15	580