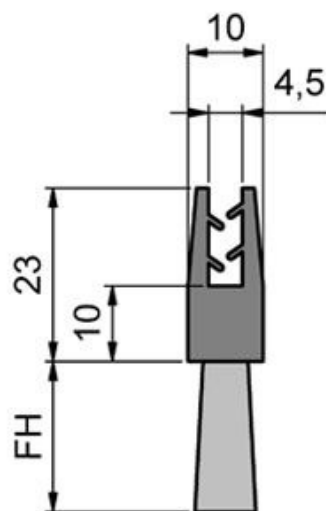


Think Mink![®]**Data sheet - FBL1330-K10**

For sheet metal thickness 2 - 3 mm

All dimensions in mm

Body material:	Thermoplastic rubber (TPE/TPV)
Body colour:	black
Bristle material:	Polyamide 6 (PA6)
Bristle colour:	black / smooth
Bristle diameter:	0,20
Bristle length (FH):	30
Body length:	25.000 mm