



Galaxy - GL24Z7 - 039524 - No
 (Family) (Model) (Part #) (In Stock)

Electrical Specifications

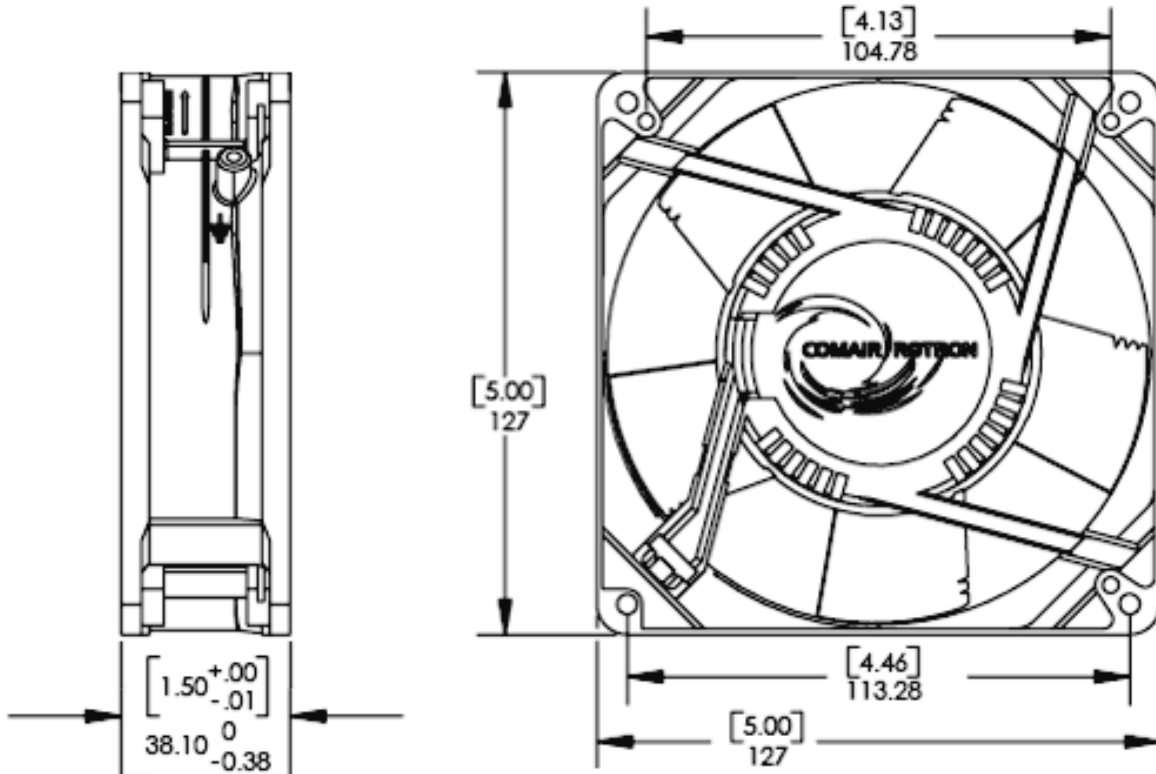
Operating Voltage:	24 Volts
Voltage Range:	12 - 28 Volts
Power Supply:	31.2 Watts
Line Current:	1.30 Amps
Locked Rotor Current	1.50 Amps
Nominal Speed:	4100 RPM

Mechanical Specifications

Dimensions:	5.0 x 5.0 x 1.5 in
Weight	21.87 oz
Max Airflow @ 0 in H ₂ O	195.0 CFM
Max Pressure @ 0 CFM	0.790 in H ₂ O
Noise	59.8 dBA



Mechanical Drawing



Comair Rotron, Inc.
Phone: 858.348.6200
sales@comairrotron.com

Comair Rotron Europe, Ltd.
Phone: +44.1527.520525
saleseurope@comairrotron.com

Comair Rotron Fan Company Ltd.
Phone: +86.21.52260581
salesasia@comairrotron.com

Print Date: Wednesday, March 12, 2008 at 04:47:30 - DC Fan Datasheet - Web Version 1.0 Rev. B



Fan Performance Curve

Fan Configuration Options

Galaxy (Family)	GL24Z7 (Model)	/	039524 (Part #)	No (In Stock)	305 mm [12 inch] Leads (Features)
---------------------------	--------------------------	----------	---------------------------	-------------------------	---

Fan Speed:	4100 RPM	Fan Bearings:	Ball Bearings
Fan Airflow Direction:	Flow R (CCW Rotation)	Fan Termination:	Leads

Fan Monitoring Options: TTL (+5V) Tachometer Output

Fan Speed Control Option: No ThermaPro-V Fan Speed Control Options Selected

Environmental Protection Options: No Enviroshield Options Selected

Comair Rotron, Inc.
Phone: 858.348.6200
sales@comairrotron.com

Comair Rotron Europe, Ltd.
Phone: +44.1527.520525
saleseurope@comairrotron.com

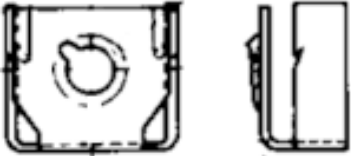
Comair Rotron Fan Company Ltd.
Phone: +86.21.52260581
salesasia@comairrotron.com

Print Date: Wednesday, March 12, 2008 at 04:47:30 - DC Fan Datasheet - Web Version 1.0 Rev. B



Accessories [\(Click on part number for detailed drawing.\)](#)

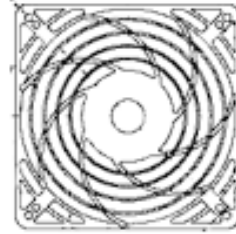
550113
Mounting Clip



557216
Finger Guard



550651
Finger Guard



Comair Rotron, Inc.
Phone: 858.348.6200
sales@comairrotron.com

Comair Rotron Europe, Ltd.
Phone: +44.1527.520525
saleseurope@comairrotron.com

Comair Rotron Fan Company Ltd.
Phone: +86.21.52260581
salesasia@comairrotron.com

Print Date: Wednesday, March 12, 2008 at 04:47:30 - DC Fan Datasheet - Web Version 1.0 Rev. B