

**ZRM 20-ES/B and ZRM 20-ES/B 400**  
Capacity range 1,000 – 3,500 W

**Product description**

- Standard ignitor

Product data sheet available at [www.tridonic.com](http://www.tridonic.com) or on request

**Technical data**

Max. housing temperature T <sub>c</sub> -point	105 °C
Min. ambient temperature	-30 °C



**Notes**

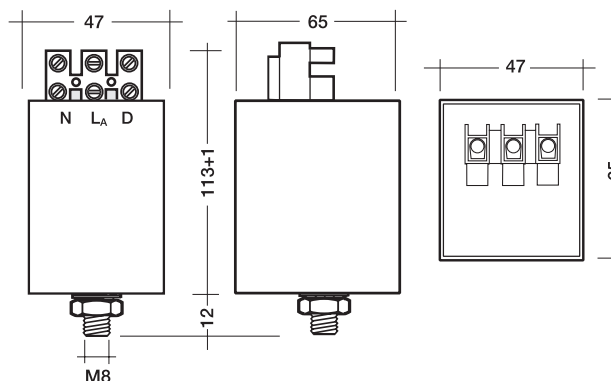
- ZRM 20-ES/B 400 not suitable for high-pressure sodium lamps



Wiring diagrams and installation examples, page 229

Ignitor matrix, page 207

Standards, page 208



**Ordering data**

Weight	Type	Article number
<b>Standard ignitor</b>		
0.75 kg	ZRM 20-ES/B	20826280
<b>Standard ignitor 400 Volt</b>		
0.75 kg	ZRM 20-ES/B 400	20826425

Packaging: 15 pieces/box; 360 pieces/pallet

**Specific technical data**

Type	Permitted input voltage	Mains frequency	Max. permitted lamp current I <sub>b</sub>	Ignition voltage	Lamp wattage		Permitted load capacity	Max. cable length to lamp (75 pF/m)
					High-pressure sodium lamps	Metal halide lamps		
<b>Standard ignitor</b>								
ZRM 20-ES/B	198 – 264 V	50/60 Hz	20.0 A	3.5 – 5.0 kV <sub>0</sub>	1,000 W	1,000 – 2,000 W	20 – 200 pF	3.0 m
<b>Standard ignitor U<sub>n</sub> = 400 V</b>								
ZRM 20-ES/B 400	342 – 490 V	50/60 Hz	20.0 A	4.0 – 5.0 kV <sub>0</sub>	–	2,000 – 3,500 W	20 – 200 pF	3.0 m

**Self-heating:**

**ZRM 20-ES/B**

at I <sub>b</sub> = 10.30 A (1,000 W)	9.5 K
at I <sub>b</sub> = 16.20 A (2,000 W)	26.0 K

**ZRM 20-ES/B 400**

at I <sub>b</sub> = 16.20 A (2,000 W)	10.5 K
at I <sub>b</sub> = 18.00 A (3,500 W)	28.0 K

**Losses:**

**ZRM 20-ES/B**

at I <sub>b</sub> = 10.30 A (1,000 W)	1.8 W
at I <sub>b</sub> = 16.20 A (2,000 W)	5.9 W

**ZRM 20-ES/B 400**

at I <sub>b</sub> = 16.20 A (2,000 W)	2.9 W
at I <sub>b</sub> = 18.00 A (3,500 W)	9.3 W