



# Schaller Genuine Spare Parts – Data Sheet

<b>Material</b>	<b>151483</b>	<b>Description</b>	<b>Spare Part Kit 3 (Service Kit VN115)</b>
<b>Applicable for</b>	<b>VISATRON VN115/87 &amp; VN115/87plus</b>		

Material	Description	Qty.*	Unit	Item	Item Line
330482	Gasket for Measuring Head	1	PC	0010	Position: 43
330721	Gasket for Valve Box	1	PC	0020	Position: 34
200212	Measuring head suspension, bottom	2	PC	0060	Position: 13
200211	Measuring head suspension, top	2	PC	0050	Position: 14
365197	Sinter brass 22x2, Filter Disc	2	PC	0070	Position: 3
365206	Filter for Pressure Reducer	1	PC	0080	Position: 10
365198	Circlip D22 DIN472	2	PC	0090	Position: 32
365193	Flexible bellow Base Plate/Meas. Head	2	PC	0100	Position: 9
480314	Screw M3x12 for flange flex. bellow	4	PC	0110	Position: 51
365208	O-Ring 9,0x4,5 NBR70 screw Pres Reducer	1	PC	0120	Position: 19
365449	O-Ring 8,0x2,5 screw throttle**	1	PC	0130	Position: 52
365954	O-Ring 4,0 x 1,75 NBR70 throttle**	1	PC	0140	Position: 53
330543	Gasket to Air-Jet pump	3	PC	0150	Position: 54
360136	Oil return gasket VN115	1	PC	0160	Position: 55

Table 1 Content

\*Note: Quantity sufficient for one 24-monthly / 16.000-hours service as for Step 13 of Maintenance Schedule

\*\*Note: old design only, with adjustable throttle (hexagon nut), not required with new design (fixed throttle)

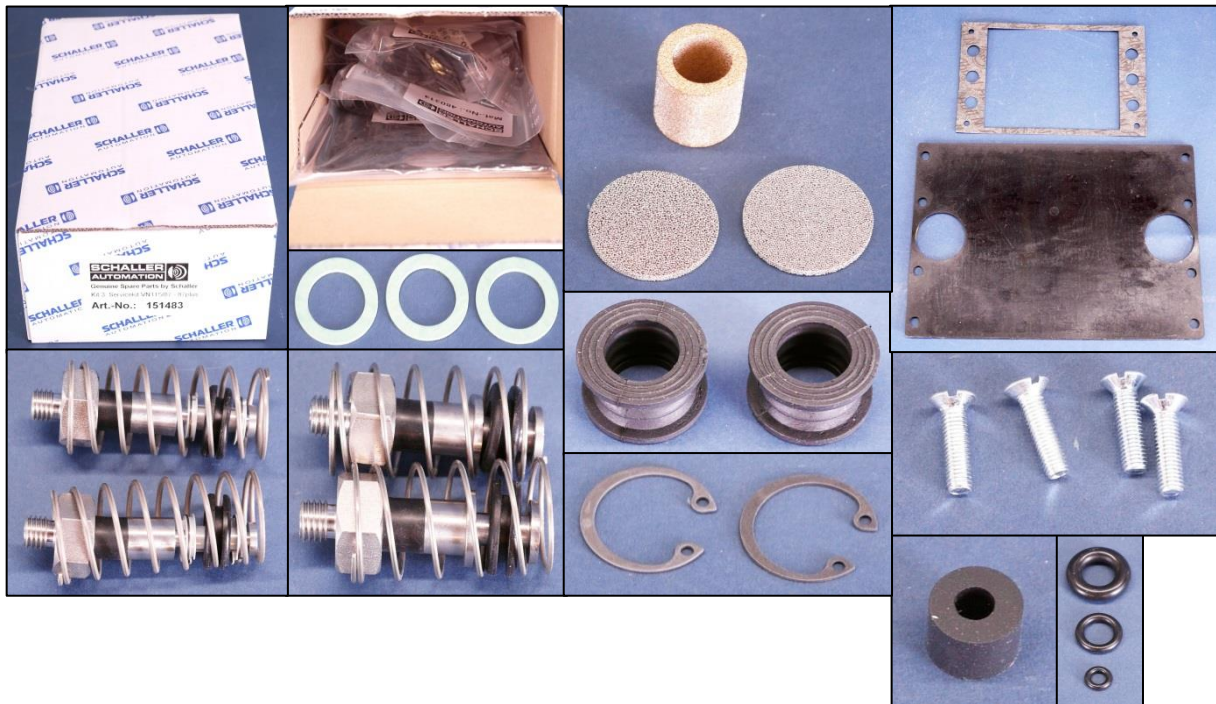


Fig. 1 Packing and Content



Step	Description	Intervall (whatever comes first)								See Section	Required Parts / Tools
		Hours,									
	2.000	4.000	6.000	8.000	10.000	12.000	14.000	16.000	or Months		
13	Overhaul complete OMD, incl. exchange bellows and suspension	3	6	9	12	15	18	21	24	S	<b>Schaller Service</b> 151482 Cleaning Kit Service Kit, as per model: VN115 - 151483

Table 2 Extract of Maintenance Schedule

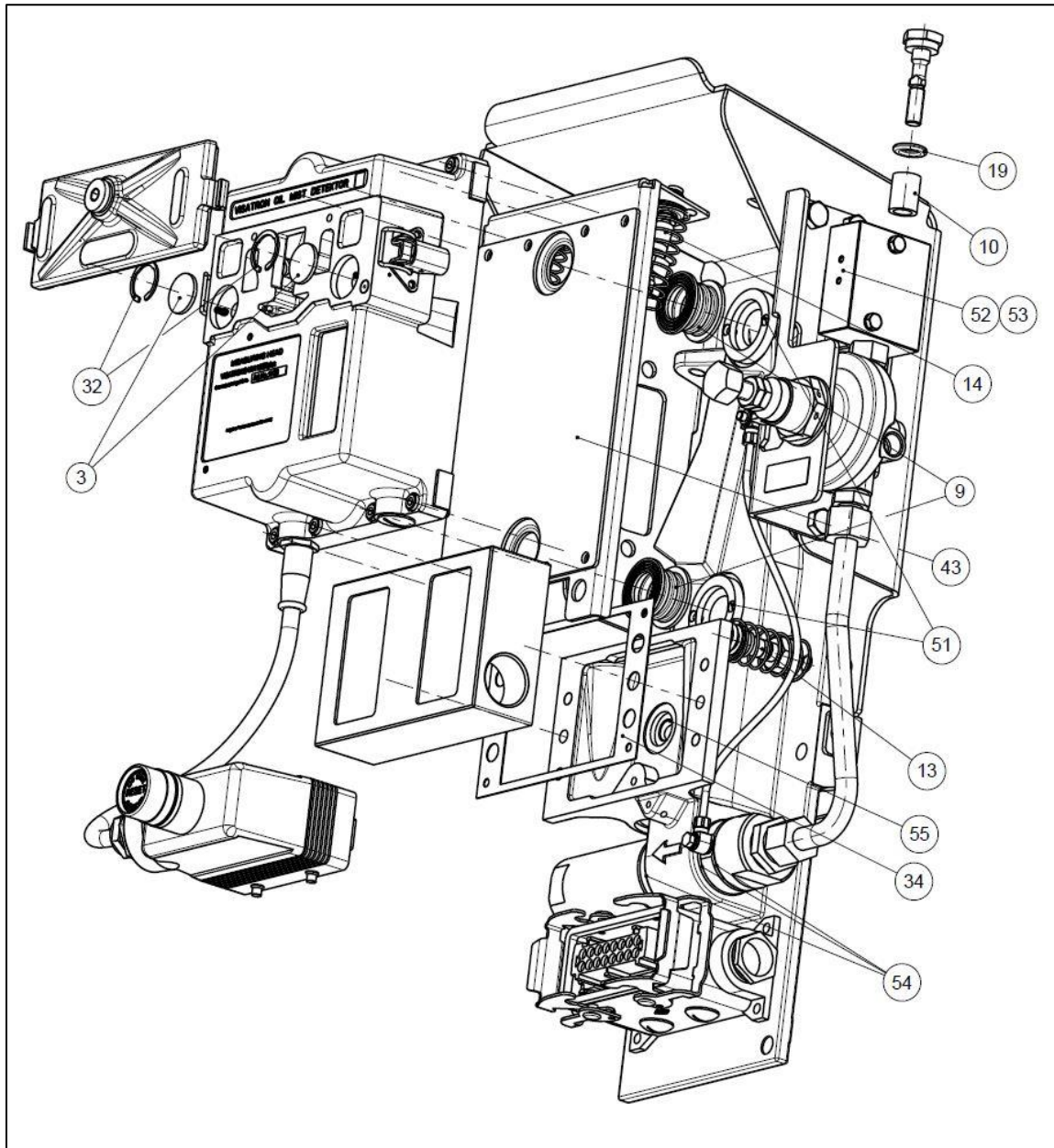


Fig. 2 Item Line Position