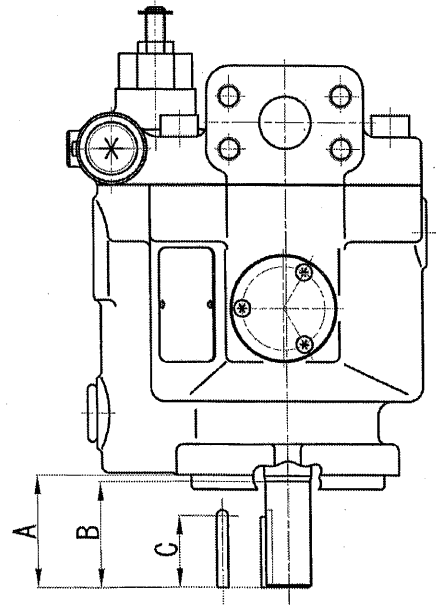


■ PISTON PUMP - MODEL CHANGE

OLD MODEL	NEW MODEL	POINT OF CHANGE			REMARK
		A (mm)	B (mm)	C (mm)	
		MOUNTING SURFACE—SHAFT END	SHAFT END—SHAFT GAP	KEY GROOVE	
HPP-VB2V-F8A※(-EE)-A-(G)	HPP-VB2V-F8A※(-EE)-B-(G)	32⇒35 (+3)	24⇒30 (+6)	NO CHANGE	
HPP-VC2V-F14A※(-EE)-A-(G)	HPP-VC2V-F14A※(-EE)-B-(G)	44.5⇒46 (+1.5)	39⇒41 (+2)	32⇒30.5 (-1.5)	KEY 30mm(NO CHANGE)
HPP-VD2V-F31A※(-EE)-A-(G)	HPP-VD2V-F31A※(-EE)-B-(G)	58⇒61 (+3)	47⇒52 (+5)	NO CHANGE	
HPP-VC3V-F16A※(-EE)-A-(G)	HPP-VC3V-F16A※(-EE)-B-(G)	44.5⇒46 (+1.5)	38⇒41.1 (+3.1)	NO CHANGE	
HPP-VD3V-F25A※(-EE)-A-(G)	HPP-VD3V-F25A※(-EE)-B-(G)	58⇒61 (+3)	47⇒52 (+5)	NO CHANGE	
HPP-VD3V-F40A※(-EE)-A-(G)	HPP-VD3V-F40A※(-EE)-B-(G)	58⇒61 (+3)	47⇒51.5 (+4.5)	NO CHANGE	
HPP-VCC2V-L14-14A3A3-A	HPP-VCC2V-L14-14A3A3-B	44.5⇒46 (+1.5)	39⇒41 (+2)	32⇒30.5 (-1.5)	KEY 30mm(NO CHANGE)
HPP-VCF2V-L14-63A※A3-A-(G)	HPP-VCF2V-L14-63A※A3-B-(G)	NO CHANGE	NO CHANGE	NO CHANGE	





TOYOOKI KOGYO CO., LTD.

45, KAIZAN, HACHI-CHO, OKAZAKI-CITY, AICHI-PREF., JAPAN 444-3592
 TEL: 81-564-48-2311 FAX: 81-564-48-7908
 HOME PAGE: <http://www.toyooki.jp/>

2nd June, 2014 (Revised 23rd Oct., 2014)

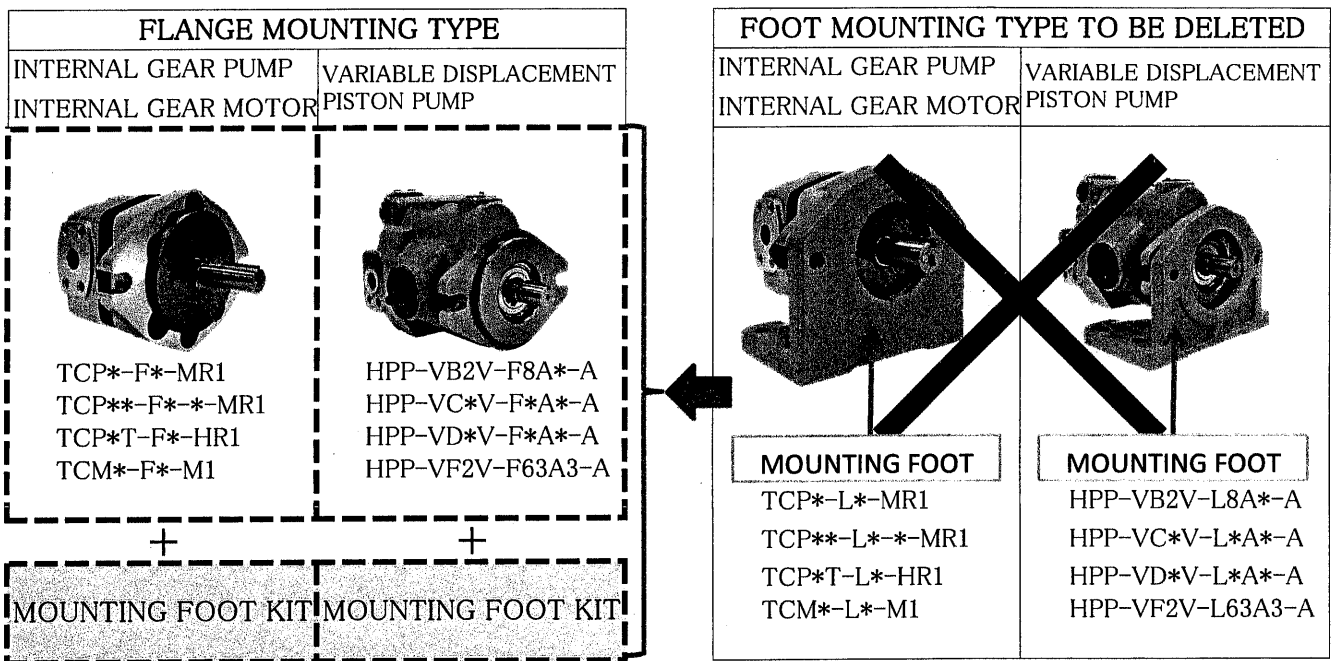
Dear our customers,

REF. DELETION OF MODEL CODING FOR FOOT MOUNTING TYPE

As you know well, we have been supplying piston pumps, internal gear pumps and internal gear motors in the form of "flange mounting type(F)" and "foot mounting type(L)" respectively. This time, we would like to inform you that, as of 1st June, 2014, we will supply "flange mounting type(F)" only, except for double piston pumps(HPP-VCC2V & HPP-VCF2V) in order to rationalize the number of model codings but in case of "foot mounting type(L)" needed, you will order "flange mounting type(F)" plus the additional item of foot kit so that you may assemble them into "foot mounting type(L)" at your side.

For further details, please kindly refer to the below-mentioned information or contact to us anytime.

- **SUBJECT ITEMS:** VARIABLE DISPLACEMENT PISTON PUMP (HPP)
 INTERNAL GEAR PUMP (TCP) AND MOTOR (TCM)



■ **MOUNTING FOOT KIT: (REVISED PART)**

MODEL CODE FOR FOOT KIT	SUBJECT MODEL OF PUMP & MOTOR	TIGHTENING TORQUE FOR FOOT BOLTS	CONTENTS
LP02-10	TCP2, TCP※2, TCP2T, TCM2 HPP-VB2V, HPP-VC2V, HPP-VC3V	30~35Nm	FOOT 1 PCE. BOLT 2 PCS. WASHER 2 PCS.
LP04-10	TCP3, TCP※3, TCP3T, TCM3	40~50Nm	
LP04-20	HPP-VD2V, HPP-VD3V-F25		
LP04-30	HPP-VD3V-F40	65~75Nm	
LP06-10	TCP4, TCP※4, TCP4T, TCM4	45~55Nm	
LP06-20	HPP-VF2V	120~135Nm	
LP08-10	TCP5, TCP※5, TCP5T, TCM5		

■ **VALIDITY:** 1ST JUNE, 2014