

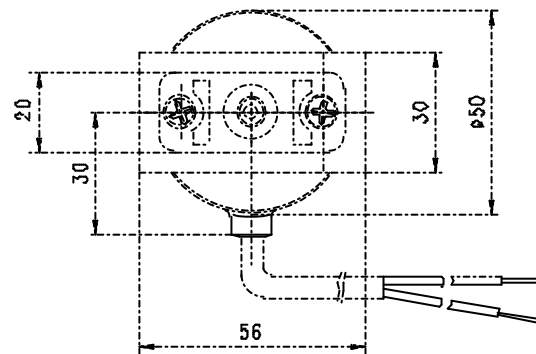
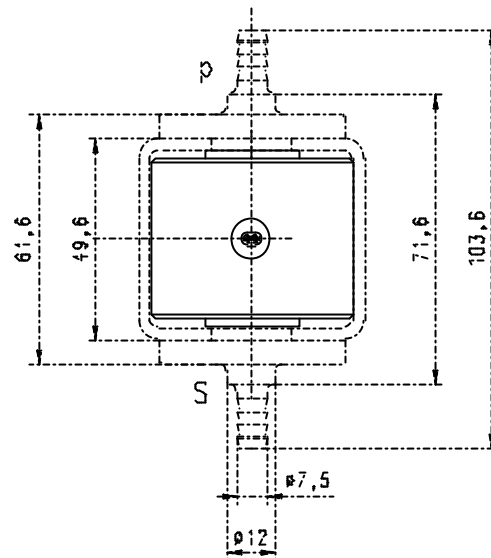
Electromagnetic Pump

EKS

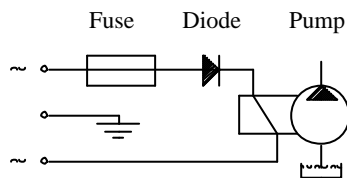
21

Technical data

Maximum pressure	2.1 bar
Maximum flow rate	65 l/h
Maximum suction height	3 m
Viscosity range	1...600 mm ² /s
Filter	Mesh 100 ? m
Tension	230V~ (110V, 24V,12V)
Frequency	50 Hz, (60 Hz)
Electrical connection	2 wires 0.75mm ²
Power	40 W
Operating factor	100% ED / 20°C
Weight	470 g
Temperature	1°...50°C



Fuse and diode are necessary

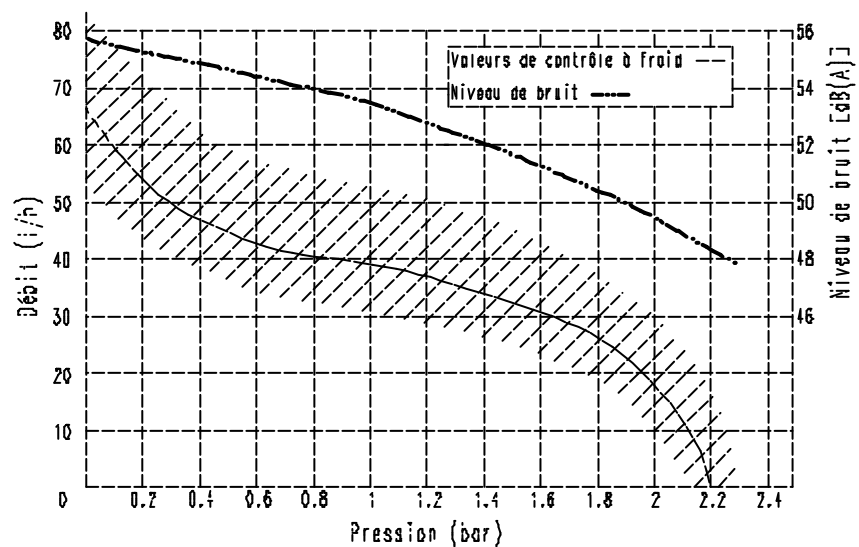


The given specifications have been measured under those conditions :

- stabilised electrical alimentation at 230V
- water at 20°C
- suction height : 1 meter
- without drop in
- cold pump.

The noise level has been measured at 1 meter.

GOTEC is pleased to answer to any question that arise or to come up to any of your special application.



GOTEC RESERVES THE RIGHT TO MODIFY ITS PRODUCTS AT ANY TIME AND WITHOUT NOTICE.

GOTEC SA RUE DES CASERNES 59 CH-1950 SION (VS) SUISSE