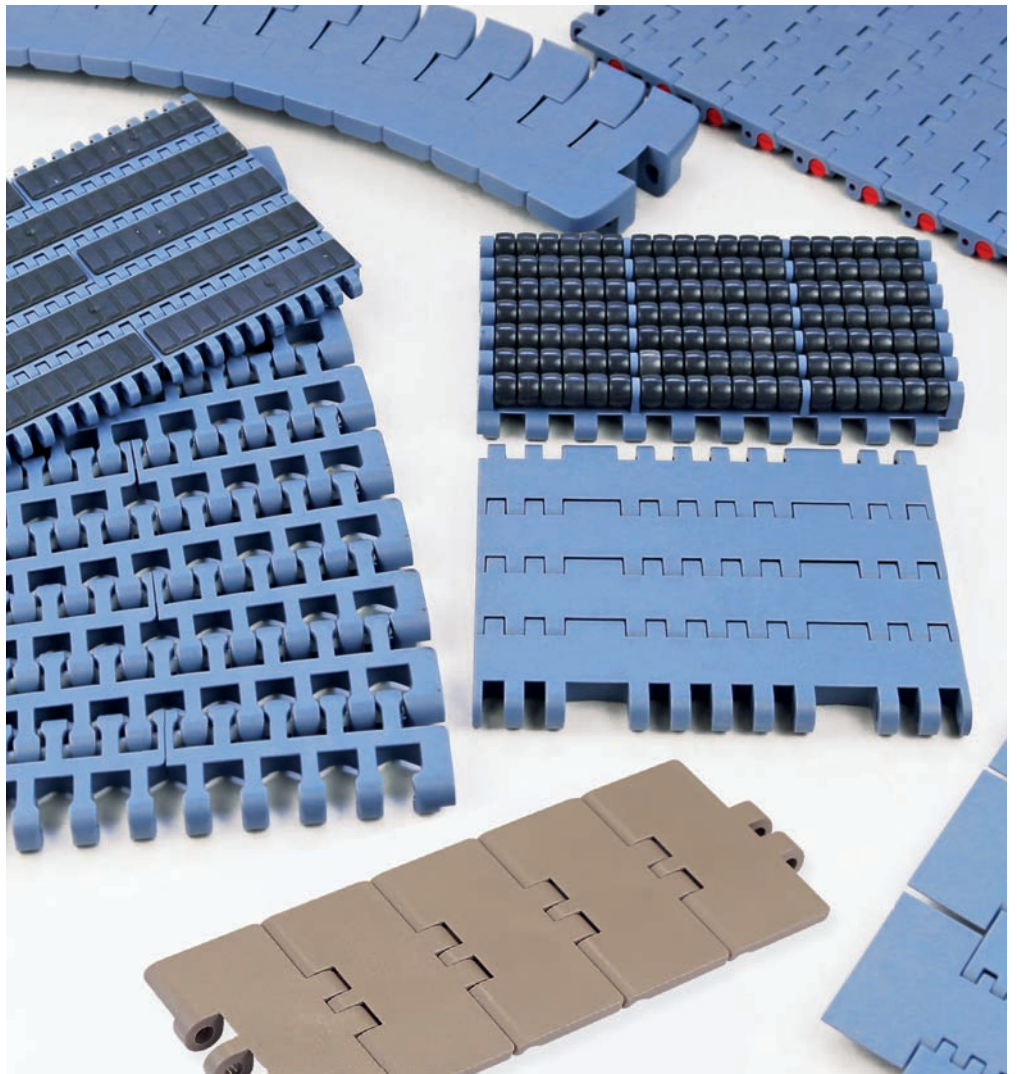


**2015** november



**Movex**<sup>®</sup>  
[www.movexii.com](http://www.movexii.com)



This catalogue presents and includes the latest generations of products shown in earlier publications and it relates to the current production. Other information, which may be different from that contained in this catalogue has to be considered invalid. Movex® S.p.A. reserves the right to carry out modifications rendered necessary by the technical evolution of the products.

© Copyright Movex® S.p.A. 2015

The contents of this catalogue are the copyright of Movex® S.p.A. and may not be reproduced (even extracts) unless written permission is granted. Every care has been taken to ensure the accuracy of the information contained in this publication but no liability can be accepted for any error or omissions.

Catalogue No. M999508

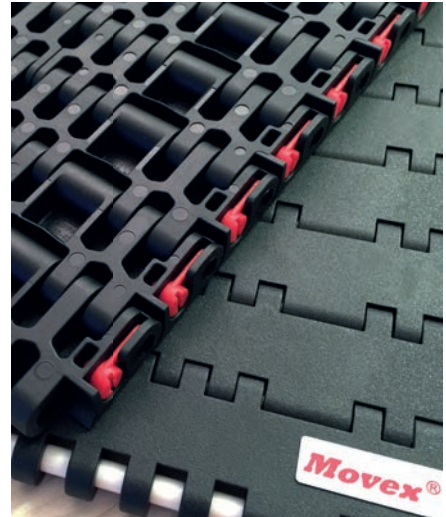
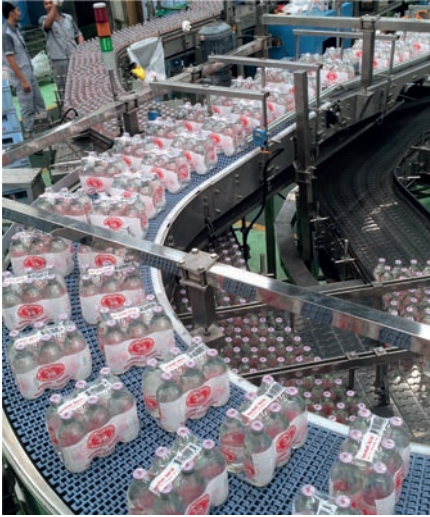
**Movex®**, founded in 2011, is the most developing and innovating producer of plastic & stainless steel flat top chains, modular belts, conveyor components and extruded profiles in UHMW-PE. All our products are manufactured in **Movex®** facilities throughout the world! We guarantee Engineering Support, Quality & Service with brand new equipment & tools, the latest technology and first class materials. **Movex®** is ready to serve you with our own offices and dedicated distributors around the world.






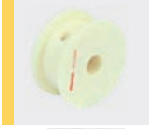

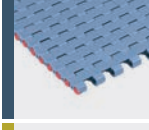
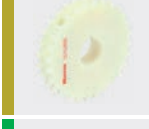





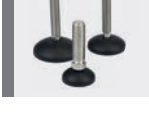
The **Movex®** world!

[www.moveexii.com](http://www.moveexii.com)

www.movexii.com














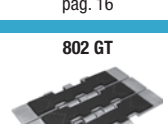


	Catene in acciaio <i>Steel chains</i> <i>Scharnierbandketten aus Edelstahl</i>	7
	Catene in plastica <i>Plastic chains</i> <i>Scharnierbandketten aus Kunststoff</i>	19
	Ruote dentate per catene <i>Chain sprockets</i> <i>Kettenräder für Scharnierbandketten</i>	51
	Ruote folli per catene <i>Chain idler wheels</i> <i>Umlenkrollen für Scharnierbandketten</i>	71
	Curve magnetiche, Tab & Bevel <i>Magnetic, Tab &amp; Bevel corner tracks</i> <i>Kurvenführungen Magnet, Tab &amp; Bevel Version</i>	77
	Tappeti modulari <i>Modular belts</i> <i>Mattenketten</i>	103
	Ruote per tappeti <i>Belt sprockets</i> <i>Kettenräder für Mattenketten</i>	143
	Guide estruse <i>Extruded profiles</i> <i>Extrudiertes Profil</i>	163
	Rulli di ritorno <i>Return components</i> <i>Rückführelemente</i>	209
	Componenti <i>Conveyor components</i> <i>Komponenten</i>	219
	Componenti di supporto <i>Conveyor support components</i> <i>Stützelemente</i>	263
	Cuscinetti <i>Bearing supports</i> <i>Flanschlager</i>	279
	Piedi <i>Leveling pads</i> <i>Gelenkfüsse</i>	305

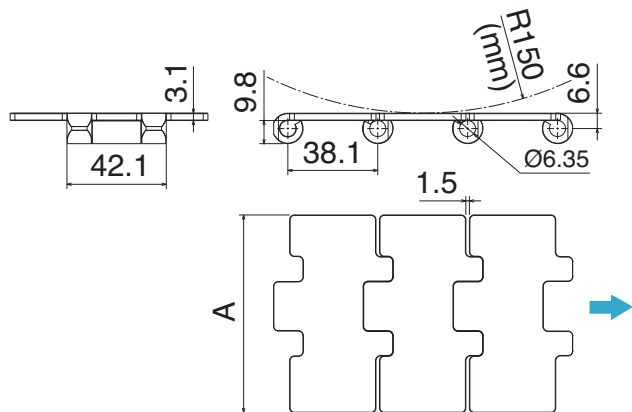




# steel chains

<b>812/815</b>  pag. 8	<b>802</b>  pag. 10	<b>8157</b>  pag. 10
<b>512</b>  pag. 11	<b>881 M</b>  pag. 12	<b>881 TAB</b>  pag. 14
<b>881 B</b>  pag. 14	<b>8811 TAB</b>  pag. 15	<b>8811 B</b>  pag. 16
<b>8857 M</b>  pag. 16	<b>812 GT</b>  pag. 17	<b>802 GT</b>  pag. 17





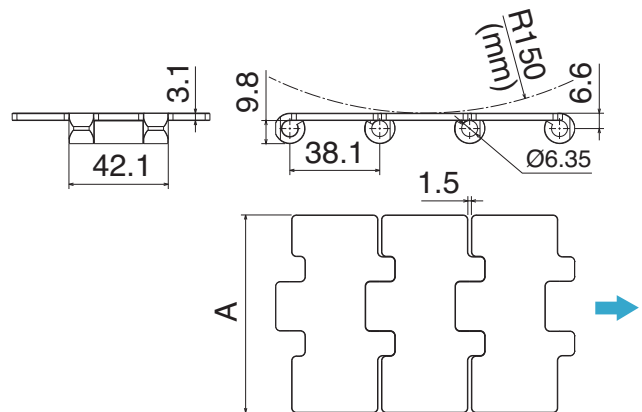
Article-Nr.	Ref.	A (Plate Width) mm	Weight kg/m	Surface finish $\mu\text{m}$	Surface Flatness mm	Polished Hinge eyes	Max working load (N)	Backflex radius min. mm	Plate Thickness mm
<b>SSM <i>Max Speed</i> - Hardened pins</b>									
1001 03 02	SSM 815 K325 HB	82,5	2,55	0,2	0,08	YES	6000	150	3.1
1001 03 03	SSM 815 K330 HB	83,8	2,59	0,2	0,08	YES			



Pins: Martensitic 1.4057

**Max Speed High Performance**

## 812/815 catena rettilinea / straight running chain / geradegängige Scharnierbandkette



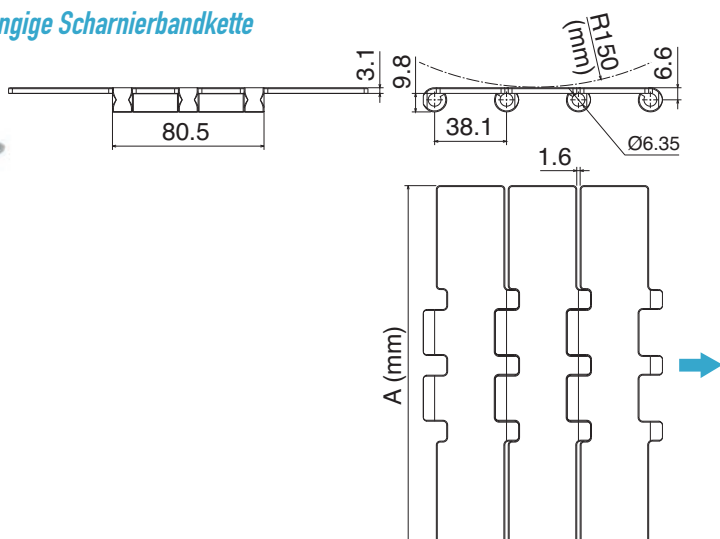
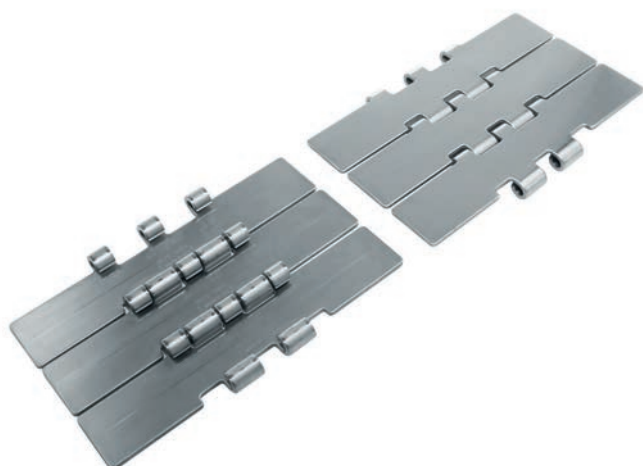
Article-Nr.	Ref.	A (Plate Width) mm	Weight kg/m	Surface finish µm	Surface Flatness mm	Polished Hinge eyes	Max working load (N)	Backflex radius min. mm	Plate Thickness mm
<b>SS Ferritic Stainless Steel (1.4016)</b>									
<b>1001 02 02</b>	SS 812 K325	82,5	2,55	0,5	0,15	NO	5400	150	3.1
<b>1001 02 03</b>	SS 812 K330	83,8	2,59	0,5	0,15	NO			
<b>1001 02 04</b>	SS 812 K350	88,9	2,69	0,5	0,15	NO			
<b>1001 02 05</b>	SS 812 K450	114,3	3,25	0,5	0,20	NO			
<b>1001 02 06</b>	SS 812 K600	152,4	4,15	0,5	0,30	NO			
<b>1001 02 07</b>	SS 812 K750	190,5	5,05	0,5	0,30	NO			
<b>SSE Specially treated Ferritic Stainless Steel (1.4589) - Hardened pins</b>									
<b>1001 01 02</b>	SSE 815 K325 HB	82,5	2,55	0,3	0,10	YES	6000	150	3.1
<b>1001 01 03</b>	SSE 815 K330 HB	83,8	2,59	0,3	0,10	YES			
<b>1001 01 04</b>	SSE 815 K350	88,9	2,69	0,3	0,15	NO			
<b>1001 01 05</b>	SSE 815 K450	114,3	3,25	0,3	0,20	NO			
<b>1001 01 06</b>	SSE 815 K600	152,4	4,15	0,3	0,30	NO			
<b>1001 01 07</b>	SSE 815 K750	190,5	5,05	0,3	0,30	NO			



Pins: Martensitic 1.4057

# 802/805-8157

## 802/805 catena rettilinea / straight running chain / geradegängige Scharnierbandkette

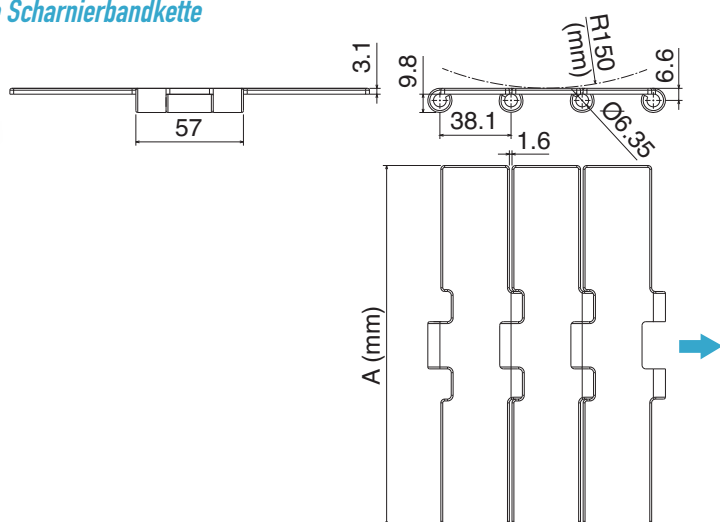
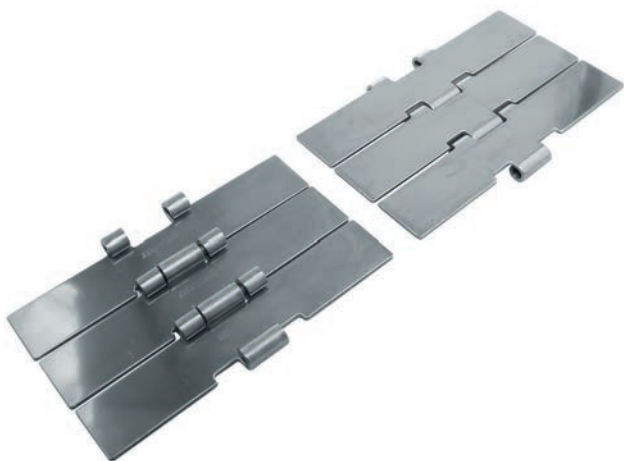


Article-Nr.	Ref.	A (Plate Width) mm	Weight kg/m	Surface finish µm	Max working load (N)	Backflex radius min. mm	Plate Thickness mm
<b>SS Ferritic Stainless Steel (1.4016)</b>							
<b>1003 02 07</b>	SS 802 K750	190,5	5,80	0,6	7000	150	3,1
<b>SSE Specially treated Ferritic Stainless Steel (1.4589)</b>							
<b>1003 01 07</b>	SSE 805 K750	190,5	5,80	0,3	9000	150	3,1



Pins: Martensitic 1.4057

## 8157 catena rettilinea / straight running chain / geradegängige Scharnierbandkette

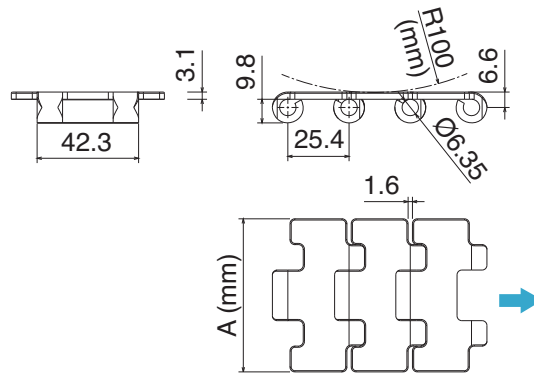


Article-Nr.	Ref.	A (Plate Width) mm	Weight kg/m	Surface finish µm	Max working load (N)	Backflex radius min. mm	Plate Thickness mm
<b>SSE Specially treated Ferritic Stainless Steel (1.4589)</b>							
<b>1005 01 07</b>	SSE 8157 K750	190,5	5,60	0,3	7000	150	3,1



Pins: Martensitic 1.4057

## 512 catena rettilinea / straight running chain / geradegängige Scharnierbandkette



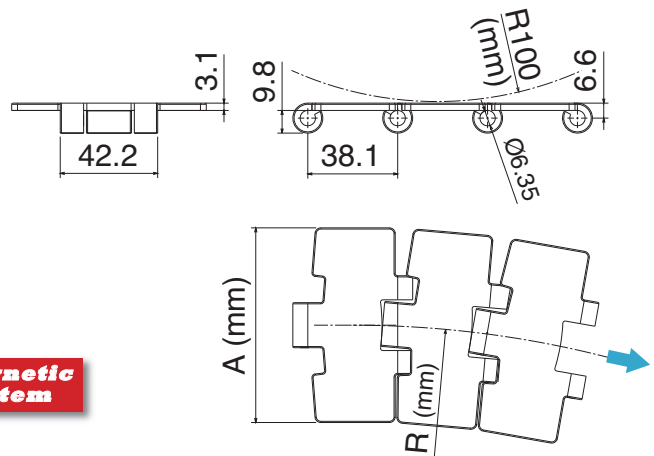
Article-Nr.	Ref.	A (Plate Width) mm	Weight kg/m	Surface finish $\mu\text{m}$	Max working load (N)	Backflex radius min. mm	Plate Thickness mm
<b>SSE Specially treated Ferritic Stainless Steel (1.4589)</b>							
<b>1007 01 00</b>	SSE 512 K217	55,0	2,30	0,3	5000	100	3,1
<b>1007 01 01</b>	SSE 512 K236	60,0	2,40	0,3			
<b>1007 01 08</b>	SSE 512 K250	63,5	2,45	0,3			
<b>1007 01 09</b>	SSE 512 K283	72,0	2,65	0,3			



Pins: Martensitic 1.4057

## 881 M catena curvilinea / Sideflexing chain / kurvengängige Scharnierbandkette

**New**



**Magnetic System**

Article-Nr.	Ref.	A (Plate Width) mm	R mm	Weight kg/m	Surface finish µm	Surface Flatness mm	Polished Hinge eyes	Max working load (N)	Backflex radius min. mm	Plate Thickness mm
<b>SSM <i>Max Speed</i> - Hardened pins</b>										
1008 03 02	SSM 881 MO K325 HB	82,5	500	2,55	0,2	0,08	YES	6000	100	3,1
1008 03 03	SSM 881 MO K330 HB	83,8	500	2,59	0,2	0,08	YES			

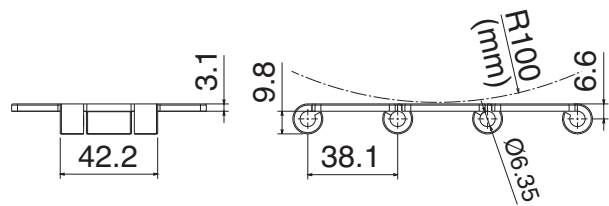


Pins: Martensitic 1.4057

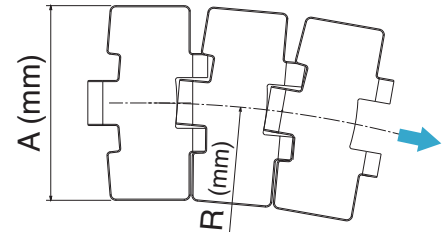
### Max Speed High Performance

- Improved working load**
- Minimum possible gap**
- Optimum plate & hinge flatness**
- Polished hinges**
- Link with improved chamfer**
- Hardened pins**
- Calibrated pin and hinge**
- Total quality control**

## 881 M catena curvilinea / Sideflexing chain / kurvengängige Scharnierbandkette



**Magnetic System**



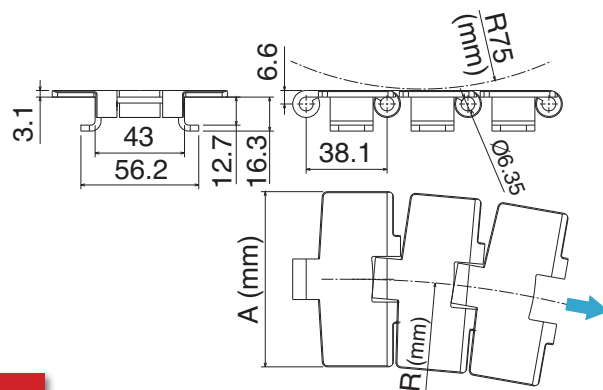
Article-Nr.	Ref.	A (Plate Width) mm	R mm	Weight kg/m	Surface finish $\mu\text{m}$	Surface Flatness mm	Polished Hinge eyes	Max working load (N)	Backflex radius min. mm	Plate Thickness mm
<b>SS Ferritic Stainless Steel (1.4016)</b>										
<b>1008 02 02</b>	SS 881 M0 K325	82,5	500	2,55	0,5	0,15	YES	5400	100	3.1
<b>1008 02 03</b>	SS 881 M0 K330	83,8	500	2,59	0,5	0,15	YES			
<b>1008 02 05</b>	SS 881 M0 K450	114,3	500	3,10	0,5	0,20	YES			
<b>1008 02 07</b>	SS 881 M0 K750	190,5	500	4,85	0,5	0,30	YES			
<b>SSE Specially treated Ferritic Stainless Steel (1.4589) - Hardened pins</b>										
<b>1008 01 02</b>	SSE 881 M0 K325 HB	82,5	500	2,55	0,3	0,10	YES	6000	100	3.1
<b>1008 01 03</b>	SSE 881 M0 K330 HB	83,8	500	2,59	0,3	0,10	YES			
<b>1008 01 05</b>	SSE 881 M0 K450	114,3	500	3,10	0,3	0,20	YES			
<b>1008 01 07</b>	SSE 881 M0 K750	190,5	500	4,85	0,3	0,30	YES			

Pins: Martensitic 1.4057



# 881 TAB - 881 B

## 881 TAB catena curvilinea / Sideflexing chain / kurvengängige Scharnierbandkette



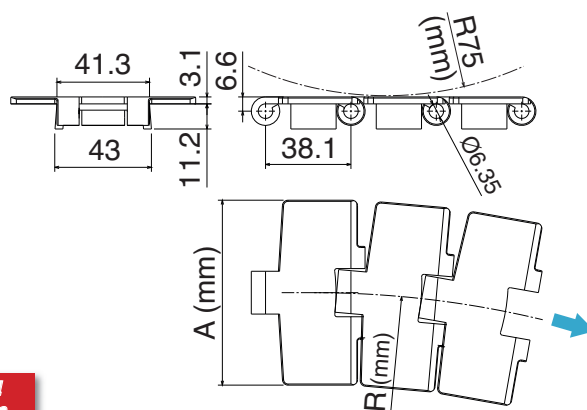
**Tab System**

Article-Nr.	Ref.	A (Plate Width) mm	R mm	Weight kg/m	Surface finish µm	Max working load (N)	Backflex radius min. mm	Plate Thickness mm
<b>SS Ferritic Stainless Steel (1.4016)</b>								
1010 02 02	SS 881 TAB K325	82,5	457	3,00	0,3	4000	75	3.1
<b>SSE Specially treated Ferritic Stainless Steel (1.4589)</b>								
1010 01 02	SSE 881 TAB K325	82,5	457	3,00	0,3	6000	75	3.1
1010 01 05	SSE 881 TAB K450	114,3	500	3,69	0,3			
1010 01 07	SSE 881 TAB K750	190,3	500	5,50	0,3			



Pins: Martensitic 1.4057

## 881 B catena curvilinea / Sideflexing chain / kurvengängige Scharnierbandkette



**Bevel System**

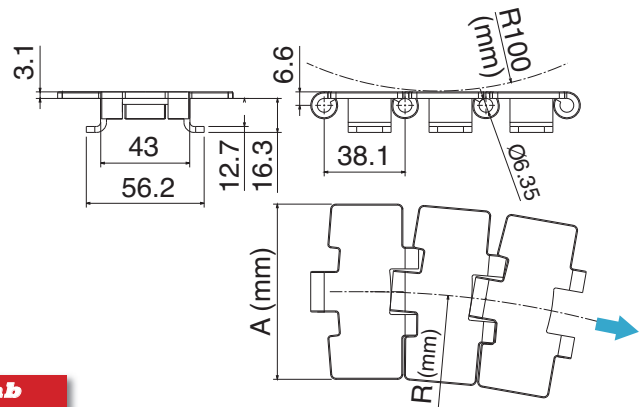
Article-Nr.	Ref.	A (Plate Width) mm	R mm	Weight kg/m	Surface finish µm	Max working load (N)	Backflex radius min. mm	Plate Thickness mm
<b>SSE Specially treated Ferritic Stainless Steel (1.4589)</b>								
1012 01 02	SSE 881 K325	82,5	457	2,95	0,3	6000	75	3.1
1012 01 05	SSE 881 K450	114,3	500	3,65	0,3			
1012 01 07	SSE 881 K750	190,3	500	5,45	0,3			



Pins: Martensitic 1.4057



## 8811 TAB catena curvilinea / Sideflexing chain / kurvengängige Scharnierbandkette



**Tab System**

Article-Nr.	Ref.	A (Plate Width) mm	R mm	Weight kg/m	Surface finish µm	Max working load (N)	Backflex radius min. mm	Plate Thickness mm
<b>SS Ferritic Stainless Steel (1.4016)</b>								
1014 02 02	SS 8811 TAB K325	82,5	500	2,95	0,3	4000	100	3,1
1014 02 03	SS 8811 TAB K330	83,8	500	3,05	0,3			
1014 02 05	SS 8811 TAB K450	114,3	610	3,65	0,3			
1014 02 07	SS 8811 TAB K750	190,5	610	5,45	0,3			
<b>SSE Specially treated Ferritic Stainless Steel (1.4589)</b>								
1014 01 02	SSE 8811 TAB K325	82,5	500	2,95	0,3	6000	100	3,1
1014 01 03	SSE 8811 TAB K330	83,8	500	3,05	0,3			
1014 01 04	SSE 8811 TAB K350	88,9	500	3,15	0,3			
1014 01 05	SSE 8811 TAB K450	114,3	610	3,65	0,3			
1014 01 07	SSE 8811 TAB K750	190,5	610	5,45	0,3			



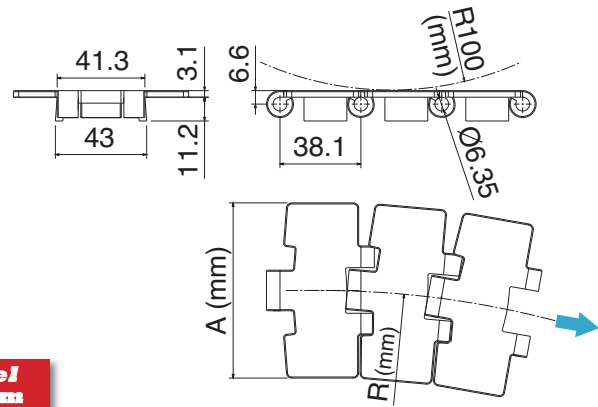
Pins: Martensitic 1.4057

# 8811 B - 8857 M

## 8811 B catena curvilinea / Sideflexing chain / kurvengängige Scharnierbandkette



**Bevel System**

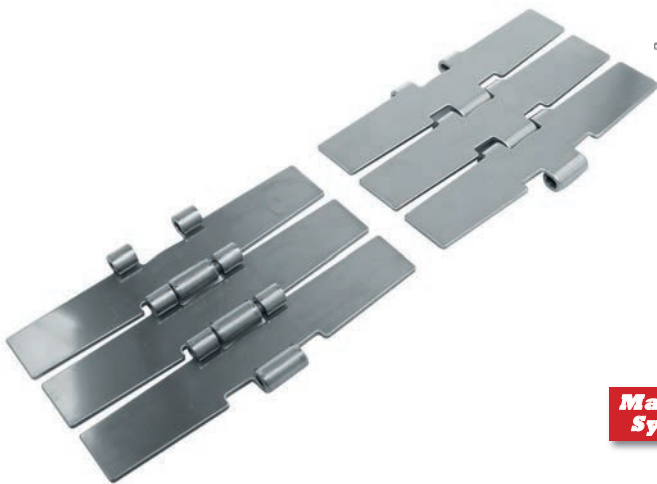


Article-Nr.	Ref.	A (Plate Width) mm	R mm	Weight kg/m	Surface finish $\mu\text{m}$	Max working load (N)	Backflex radius min. mm	Plate Thickness mm
<b>SSE Specially treated Ferritic Stainless Steel (1.4589)</b>								
1016 01 02	SSE 8811 K325	82,5	500	2,90	0,3	6000	100	3.1
1016 01 04	SSE 8811 K350	88,9	500	3,15	0,3			
1016 01 05	SSE 8811 K450	114,3	610	3,60	0,3			
1016 01 07	SSE 8811 K750	190,5	610	5,40	0,3			

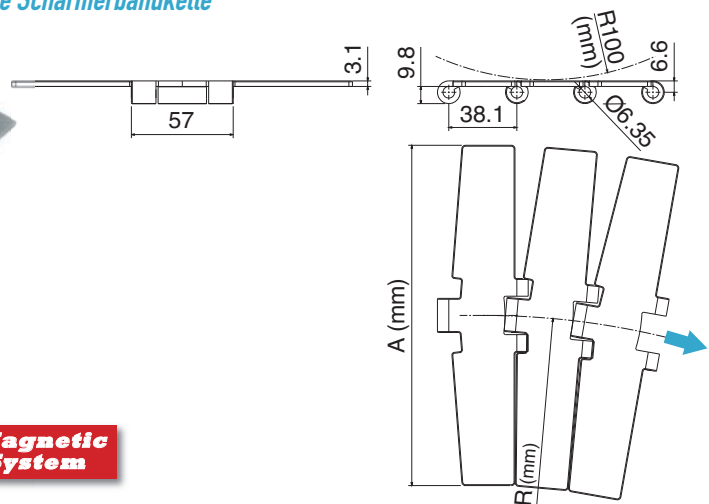


Pins: Martensitic 1.4057

## 8857 M catena curvilinea / Sideflexing chain / kurvengängige Scharnierbandkette



**Magnetic System**

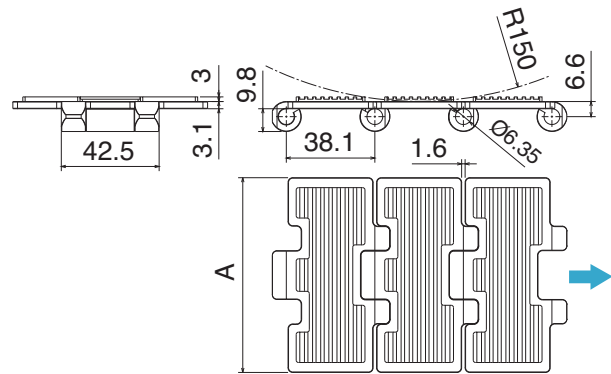
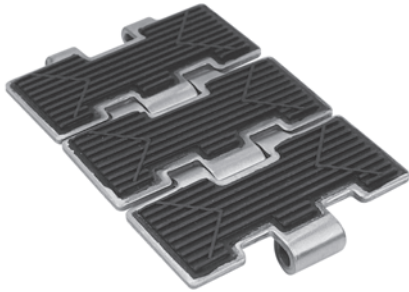


Article-Nr.	Ref.	A (Plate Width) mm	R mm	Weight kg/m	Surface finish $\mu\text{m}$	Max working load (N)	Backflex radius min. mm	Plate Thickness mm
<b>SSE Specially treated Ferritic Stainless Steel (1.4589)</b>								
1018 01 07	SSE 8857 M K750	190,5	750	5,30	0,3	7000	100	3,1



Pins: Martensitic 1.4057

## 812 GT catena rettilinea / straight running chain / geradegängige Scharnierbandkette

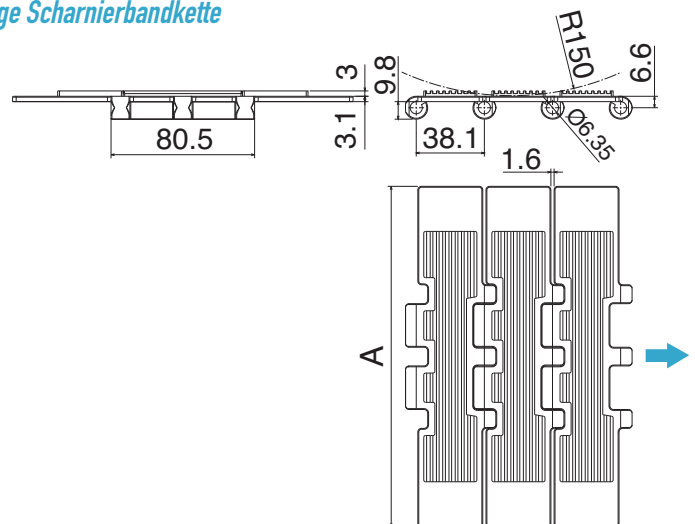
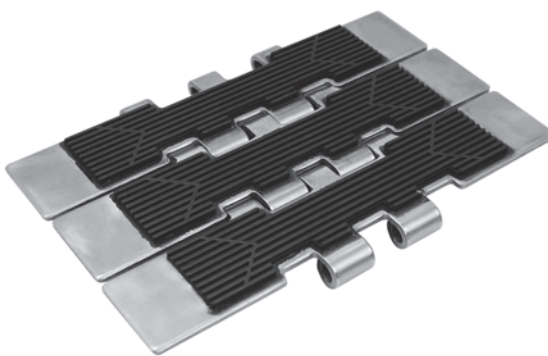


Article-Nr.	Ref.	A (Plate Width) mm	Weight kg/m	Max working load (N)	Backflex radius min. mm	Plate Thickness mm
<b>SSE Specially treated Ferritic Stainless Steel (1.4589)</b>						
<b>1002 01 02</b>	SSE 812 GT K325	82,5	2,80	5500	150	3,1+3



Pins: Martensitic 1.4057

## 802 GT catena rettilinea / straight running chain / geradegängige Scharnierbandkette



Article-Nr.	Ref.	A (Plate Width) mm	Weight kg/m	Max working load (N)	Backflex radius min. mm	Plate Thickness mm
<b>SSE Specially treated Ferritic Stainless Steel (1.4589)</b>						
<b>1004 01 07</b>	SSE 802 GT K750	190,5	6,20	7000	150	3,1+3

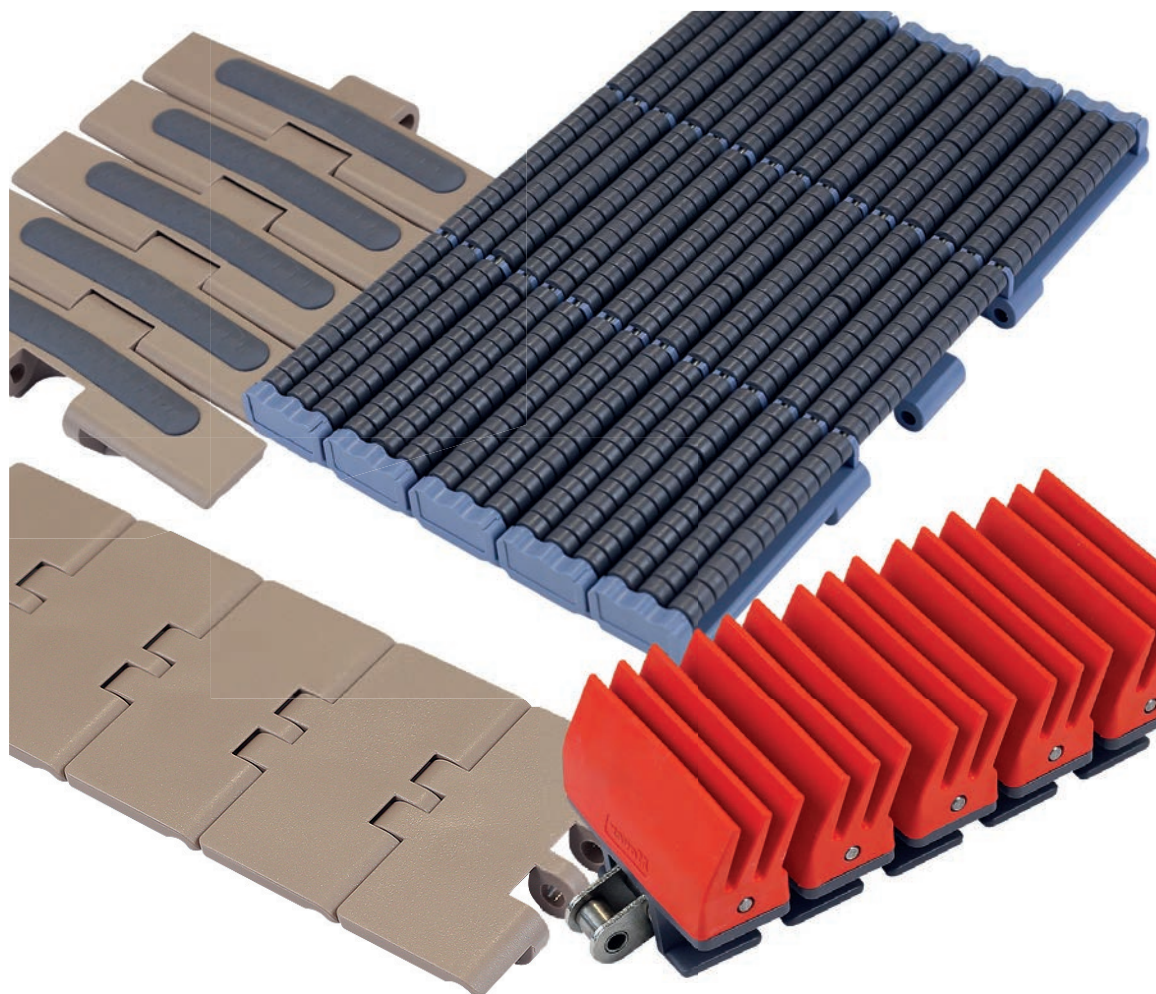


Pins: Martensitic 1.4057

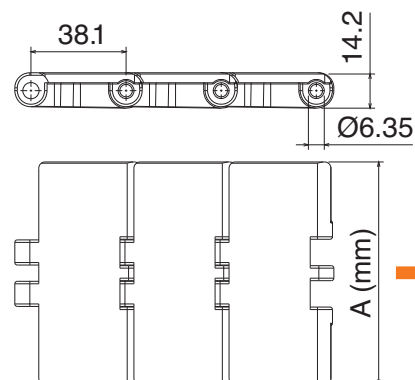
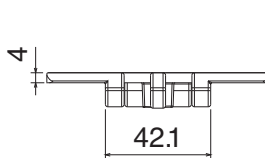


# plastic chains

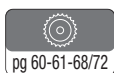
 820 pag. 20	 820 pag. 22	 828 pag. 23	 831 pag. 24	 821 pag. 25	 821 GT pag. 26
 821 LBP pag. 27	 8257 pag. 28	 8257 GT pag. 29	 8257 LBP pag. 30	 878 TAB pag. 31	 879 M pag. 32
 879 TAB pag. 33	 880 M pag. 34	 880 TAB pag. 35	 880 TAB pag. 36	 880 B pag. 37	 880 TAB B0 pag. 38
 882 M pag. 39	 882 M GT pag. 40	 882 M LBP pag. 41	 882 TAB pag. 42	 882 TAB GT pag. 43	 882 TAB LBP pag. 44
 1873 pag. 45	 1873 GT pag. 46	 1873 GRIPPER GS1 pag. 47	 1873 GRIPPER GS2 pag. 48	 CC 600 pag. 49	 CC 600 TAB pag. 49
 CC 1400 pag. 50	 CC 1400 TAB pag. 50				



## 820 catena rettilinea / straight running chain / geradegängige Scharnierbandkette

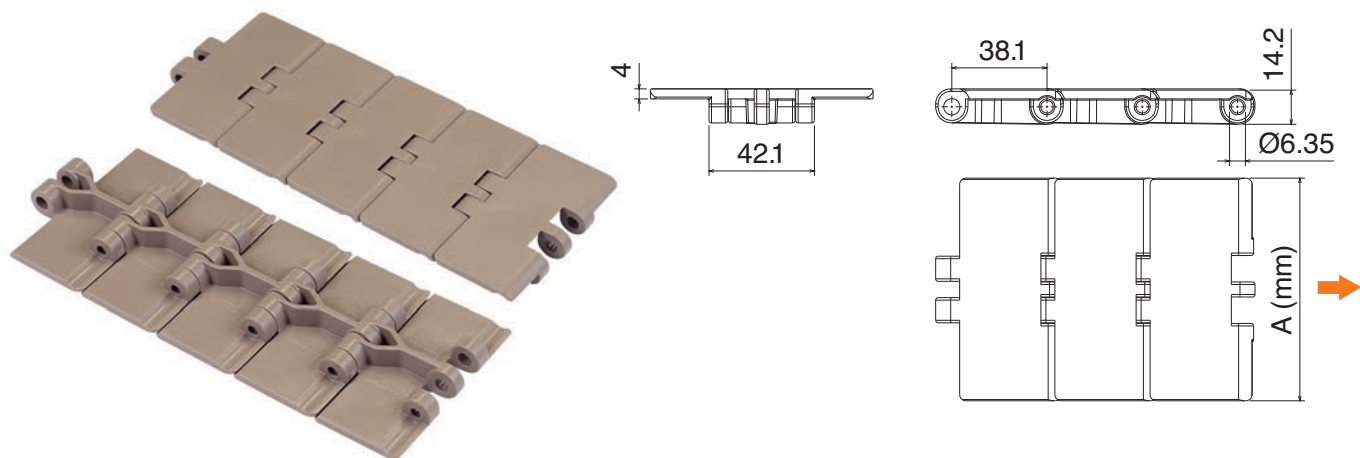


Material	Article-Nr.	Ref.	A (Plate Width) mm	Weight kg/m	Max working load (N)	Backflex radius min. mm
LF	1101 01 02	LF 820 K325	82,5	0,89	1260	50
	1101 01 03	LF 820 K330	83,8	0,90		
	1101 01 04	LF 820 K350	88,9	0,91		
	1101 01 14	LF 820 K400	101,6	0,95		
	1101 01 05	LF 820 K450	114,3	1,00		
	1101 01 06	LF 820 K600	152,4	1,22		
	1101 01 07	LF 820 K750	190,5	1,43		
MX	1101 03 02	MX 820 K325	82,5	0,89	1000	50
	1101 03 03	MX 820 K330	83,8	0,90		
	1101 03 04	MX 820 K350	88,9	0,91		
	1101 03 14	MX 820 K400	101,6	0,95		
	1101 03 05	MX 820 K450	114,3	1,00		
	1101 03 06	MX 820 K600	152,4	1,22		
	1101 03 07	MX 820 K750	190,5	1,43		
MK	1101 08 02	MK 820 K325	82,5	0,89	1200	50
	1101 08 03	MK 820 K330	83,8	0,90		
	1101 08 04	MK 820 K350	88,9	0,91		
	1101 08 14	MK 820 K400	101,6	0,95		
	1101 08 05	MK 820 K450	114,3	1,00		
	1101 08 06	MK 820 K600	152,4	1,22		
	1101 08 07	MK 820 K750	190,5	1,43		



Pins: Stainless Steel

## 820 catena rettilinea / straight running chain / geradegängige Scharnierbandkette

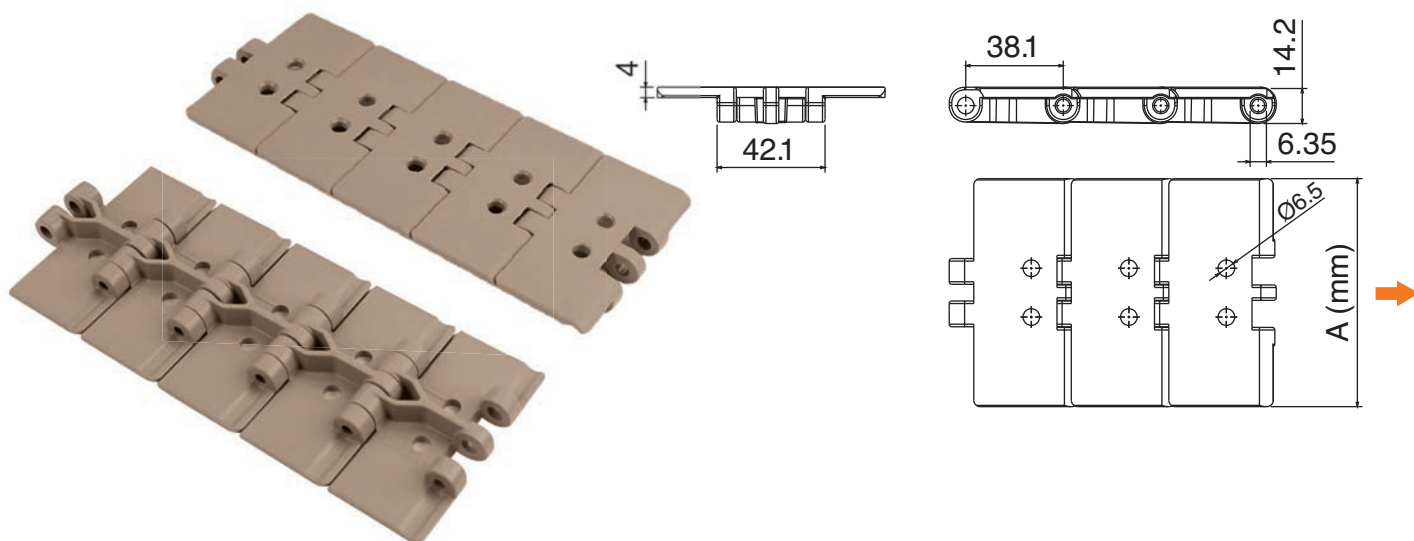


Material	Article-Nr.	Ref.	A (Plate Width) mm	Weight kg/m	Max working load (N)	Backflex radius min. mm
MP	1101 13 02	MP 820 K325	82,5	0,89	1260	50
	1101 13 03	MP 820 K330	83,8	0,90		
	1101 13 04	MP 820 K350	88,9	0,91		
	1101 13 14	MP 820 K400	101,6	0,95		
	1101 13 05	MP 820 K450	114,3	1,00		
	1101 13 06	MP 820 K600	152,4	1,22		
	1101 13 07	MP 820 K750	190,5	1,43		
DKM	1101 16 02	DKM 820 K325	82,5	0,89	1260	50
	1101 16 03	DKM 820 K330	83,8	0,90		
	1101 16 04	DKM 820 K350	88,9	0,91		
	1101 16 14	DKM 820 K400	101,6	0,95		
	1101 16 05	DKM 820 K450	114,3	1,00		
	1101 16 06	DKM 820 K600	152,4	1,22		
	1101 16 07	DKM 820 K750	190,5	1,43		
MWX	1101 17 02	MWX 820 K325	82,5	0,89	1260	50
	1101 17 03	MWX 820 K330	83,8	0,90		
	1101 17 04	MWX 820 K350	88,9	0,91		
	1101 17 14	MWX 820 K400	101,6	0,95		
	1101 17 05	MWX 820 K450	114,3	1,00		
	1101 17 06	MWX 820 K600	152,4	1,22		
	1101 17 07	MWX 820 K750	190,5	1,43		



Pins: Stainless Steel

## 820 catena rettilinea / straight running chain / geradegängige Scharnierbandkette



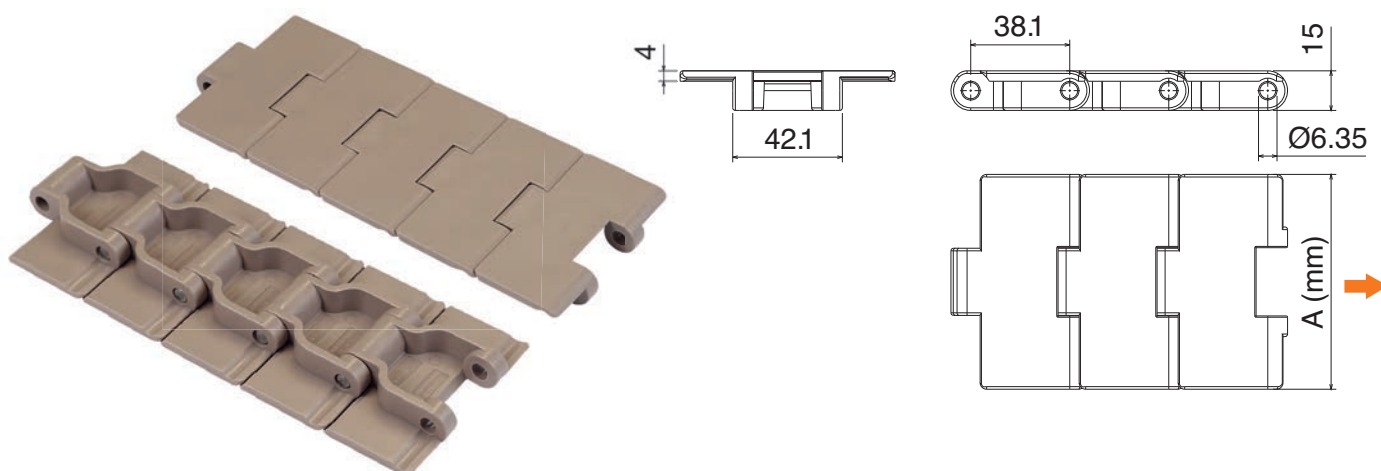
Material	Article-Nr.	Ref.	A (Plate Width) mm	Weight kg/m	Max working load (N)	Backflex radius min. mm
LF	<b>1155 01 02</b>	LF 820 V2 K325	82,5	0,89	1260	50
	<b>1155 01 05</b>	LF 820 V2 K450	114,3	1,00		
MX	<b>1155 03 02</b>	MX 820 V2 K325	82,5	0,89	1000	
	<b>1155 03 05</b>	MX 820 V2 K450	114,3	1,00		
MK	<b>1155 08 02</b>	MK 820 V2 K325	82,5	0,89	1200	
	<b>1155 08 05</b>	MK 820 V2 K450	114,3	1,00		



Pins: Stainless Steel



## 828 catena rettilinea / straight running chain / geradegängige Scharnierbandkette

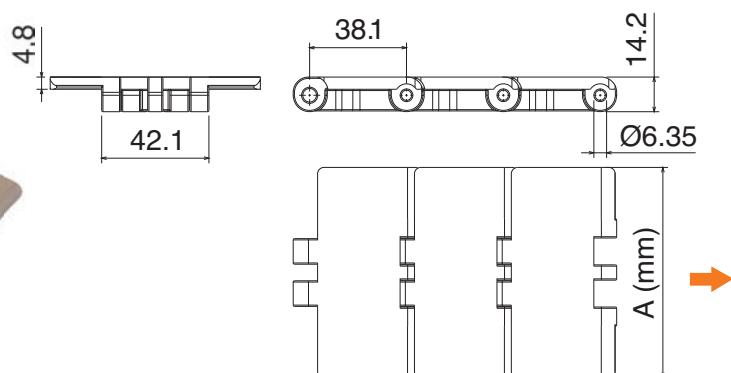


Material	Article-Nr.	Ref.	A (Plate Width) mm	Weight kg/m	Max working load (N)	Backflex radius min. mm
LF	1102 01 02	LF 828 K325	82,5	1,07	2320	50
	1102 01 03	LF 828 K330	83,8	1,13		
MX	1102 03 02	MX 828 K325	82,5	1,07	1860	
	1102 03 03	MX 828 K330	83,8	1,13		
MK	1102 08 02	MK 828 K325	82,5	1,07	2230	
	1102 08 03	MK 828 K330	83,8	1,13		
MP	1102 13 02	MP 828 K325	82,5	1,07	2320	
	1102 13 03	MP 828 K330	83,8	1,13		
DKM	1102 16 02	DKM 828 K325	82,5	1,07	2320	
	1102 16 03	DKM 828 K330	83,8	1,13		
MWX	1102 17 02	MWX 828 K325	82,5	1,07	2320	
	1102 17 03	MWX 828 K330	83,8	1,13		



Pins: Stainless Steel

## 831 catena rettilinea / straight running chain / geradegängige Scharnierbandkette

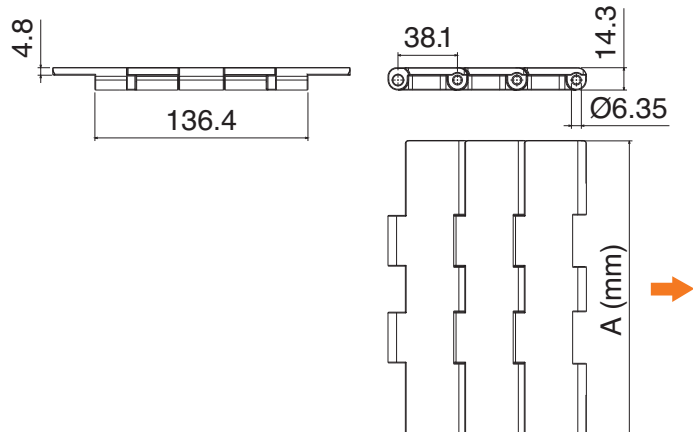


Material	Article-Nr.	Ref.	A (Plate Width) mm	Weight kg/m	Max working load (N)	Backflex radius min. mm
LF	1103 01 02	LF 831 K325	82,5	1,00	1260	50
	1103 01 05	LF 831 K450	114,3	1,28		
	1103 01 07	LF 831 K750	190,5	1,80		
MX	1103 03 02	MX 831 K325	82,5	1,00	1000	
	1103 03 05	MX 831 K450	114,3	1,28		
	1103 03 07	MX 831 K750	190,5	1,80		
MK	1103 08 02	MK 831 K325	82,5	1,00	1200	
	1103 08 05	MK 831 K450	114,3	1,28		
	1103 08 07	MK 831 K750	190,5	1,80		
MP	1103 13 02	MP 831 K325	82,5	1,00	1260	
	1103 13 05	MP 831 K450	114,3	1,28		
	1103 13 07	MP 831 K750	190,5	1,80		
DKM	1103 16 02	DKM 831 K325	82,5	1,00	1260	
	1103 16 05	DKM 831 K450	114,3	1,28		
	1103 16 07	DKM 831 K750	190,5	1,80		
MWX	1103 17 02	MWX 831 K325	82,5	1,00	1260	
	1103 17 05	MWX 831 K450	114,3	1,28		
	1103 17 07	MWX 831 K750	190,5	1,80		



Pins: Stainless Steel

## 821 catena rettilinea / straight running chain / geradegängige Scharnierbandkette



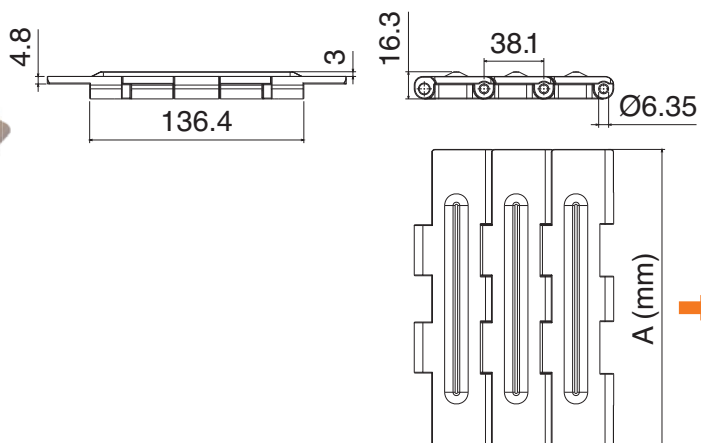
Material	Article-Nr.	Ref.	A (Plate Width) mm	Weight kg/m	Max working load (N)	Backflex radius min. mm
LF	1104 01 07	LF 821 K750	190,5	2,55	2770	50
	1104 01 08	LF 821 K1000	254,0	3,05		
	1104 01 09	LF 821 K1200	304,8	3,35		
MX	1104 03 07	MX 821 K750	190,5	2,55	2200	
	1104 03 08	MX 821 K1000	254,0	3,05		
	1104 03 09	MX 821 K1200	304,8	3,35		
MK	1104 08 07	MK 821 K750	190,5	2,55	2650	
	1104 08 08	MK 821 K1000	254,0	3,05		
	1104 08 09	MK 821 K1200	304,8	3,35		
MP	1104 13 07	MP 821 K750	190,5	2,55	2770	
	1104 13 08	MP 821 K1000	254,0	3,05		
	1104 13 09	MP 821 K1200	304,8	3,35		
DKM	1104 16 07	DKM 821 K750	190,5	2,55	2770	
	1104 16 08	DKM 821 K1000	254,0	3,05		
	1104 16 09	DKM 821 K1200	304,8	3,35		
MWX	1104 17 07	MWX 821 K750	190,5	2,55	2770	
	1104 17 08	MWX 821 K1000	254,0	3,05		
	1104 17 09	MWX 821 K1200	304,8	3,35		



Pins: Stainless Steel

# 821 GT

**821 GT** catena rettilinea / straight running chain / geradegängige Scharnierbandkette

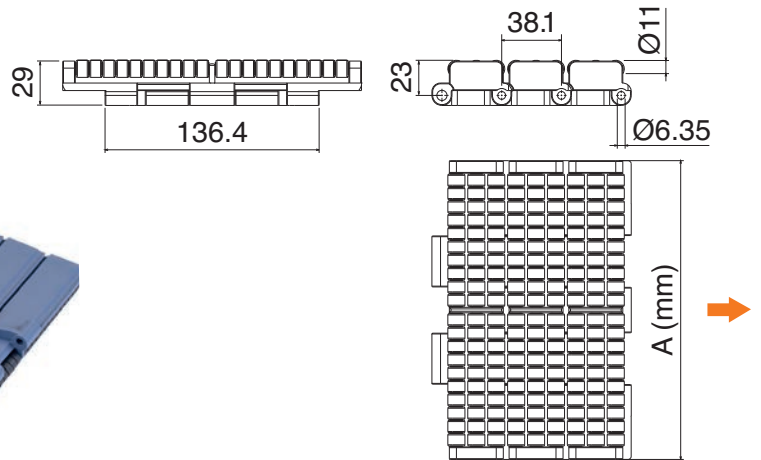
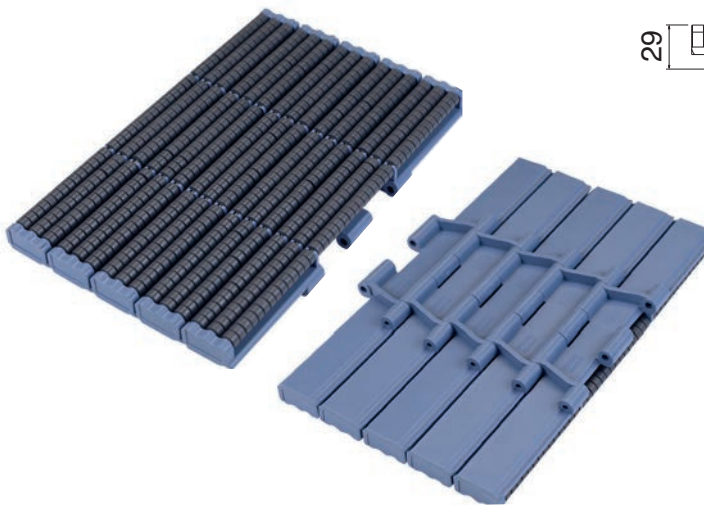


Material	Article-Nr.	Ref.	A (Plate Width) mm	Weight kg/m	Max working load (N)	Backflex radius min. mm
LF	<b>1105 01 07</b>	LF 821 GT K750	190,5	2,55	2770	50
	<b>1105 01 08</b>	LF 821 GT K1000	254,0	3,05		
	<b>1105 01 09</b>	LF 821 GT K1200	304,8	3,35		
MX	<b>1105 03 07</b>	MX 821 GT K750	190,5	2,55	2200	
	<b>1105 03 08</b>	MX 821 GT K1000	254,0	3,05		
	<b>1105 03 09</b>	MX 821 GT K1200	304,8	3,35		



**Pins:** Stainless Steel  
**TPE Rubber:** 75 ShA

## 821 LBP catena rettilinea / straight running chain / geradegängige Scharnierbandkette

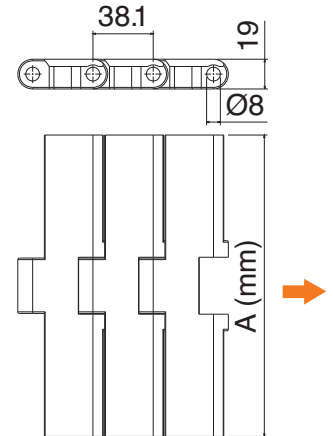
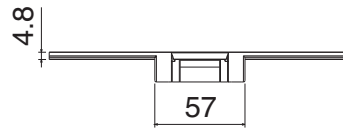


Material	Article-Nr.	Ref.	A (Plate Width) mm	Weight kg/m	Max working load (N)	Backflex radius min. mm
LFA	1106 01 07	LFA 821 LBP K750	190,5	5,70	2770	300
	1106 01 08	LFA 821 LBP K1000	254,0	7,05		
	1106 01 09	LFA 821 LBP K1200	304,8	8,21		

Pins: Stainless Steel



## 8257 catena rettilinea / straight running chain / geradegängige Scharnierbandkette

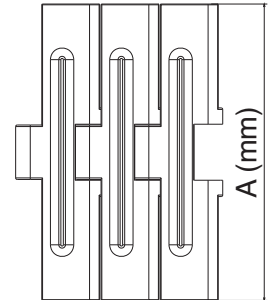
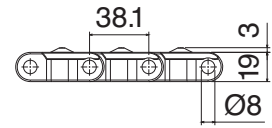
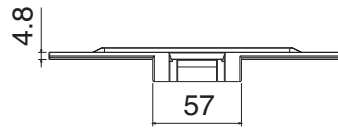
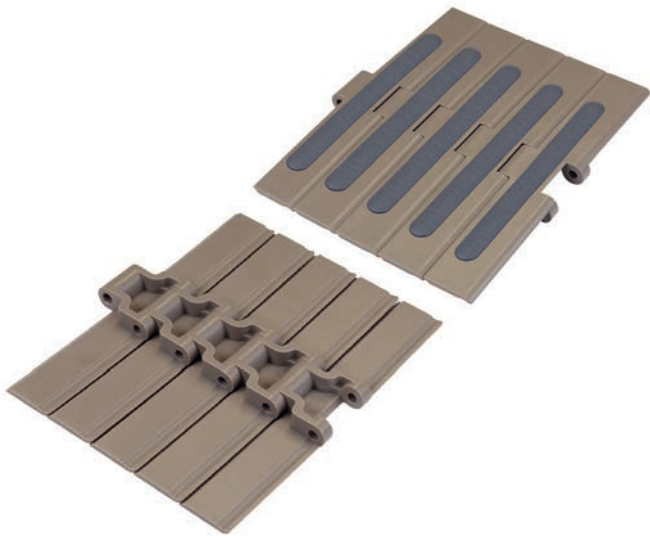


Material	Article-Nr.	Ref.	A (Plate Width) mm	Weight kg/m	Max working load (N)	Backflex radius min. mm
LF	1107 01 07	LF 8257 K750	190,5	2,55	3830	50
	1107 01 08	LF 8257 K1000	254,0	3,05		
	1107 01 09	LF 8257 K1200	304,8	3,35		
MX	1107 03 07	MX 8257 K750	190,5	2,55	3050	
	1107 03 08	MX 8257 K1000	254,0	3,05		
	1107 03 09	MX 8257 K1200	304,8	3,35		
MK	1107 08 07	MK 8257 K750	190,5	2,55	3670	
	1107 08 08	MK 8257 K1000	254,0	3,05		
	1107 08 09	MK 8257 K1200	304,8	3,35		
MP	1107 13 07	MP 8257 K750	190,5	2,55	3830	
	1107 13 08	MP 8257 K1000	254,0	3,05		
	1107 13 09	MP 8257 K1200	304,8	3,35		
DKM	1107 16 07	DKM 8257 K750	190,5	2,55	3830	
	1107 16 08	DKM 8257 K1000	254,0	3,05		
	1107 16 09	DKM 8257 K1200	304,8	3,35		
MWX	1107 17 07	MWX 8257 K750	190,5	2,55	3830	
	1107 17 08	MWX 8257 K1000	254,0	3,05		
	1107 17 09	MWX 8257 K1200	304,8	3,35		



Pins: Stainless Steel

## 8257 GT catena rettilinea / straight running chain / geradegängige Scharnierbandkette



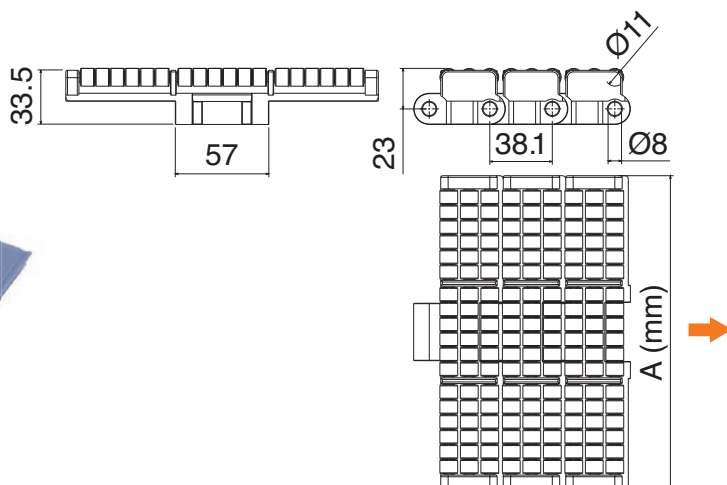
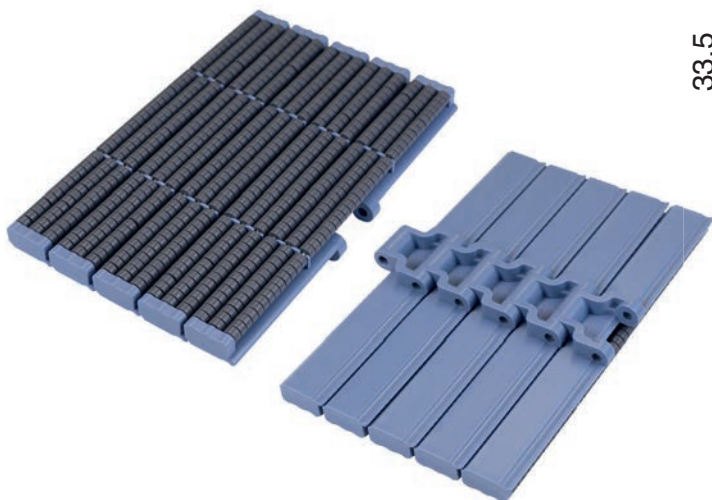
Material	Article-Nr.	Ref.	A (Plate Width) mm	Weight kg/m	Max working load (N)	Backflex radius min. mm
LF	1108 01 07	LF 8257 GT K750	190,5	2,25	3830	50
	1108 01 08	LF 8257 GT K1000	254,0	2,60		
	1108 01 09	LF 8257 GT K1200	304,8	2,95		
MX	1108 03 07	MX 8257 GT K750	190,5	2,25	3050	
	1108 03 08	MX 8257 GT K1000	254,0	2,60		
	1108 03 09	MX 8257 GT K1200	304,8	2,95		



**Pins:** Stainless Steel  
**TPE Rubber:** 75 ShA

# 8257 LBP

**8257 LBP** catena rettilinea / *straight running chain* / *geradegängige Scharnierbandkette*



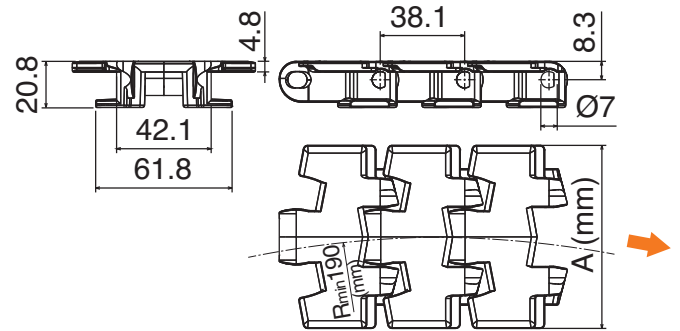
Material	Article-Nr.	Ref.	A (Plate Width) mm	Weight kg/m	Max working load (N)	Backflex radius min. mm
LFA	1109 01 07	LFA 8257 K750	190,5	5,65	3830	200
	1109 01 08	LFA 8257 K1000	254,0	7,16		
	1109 01 09	LFA 8257 K1200	304,8	8,05		



Pins: Stainless Steel



## 878 TAB catena curvilinea / Sideflexing chain / kurvengängige Scharnierbandkette



### Tab System

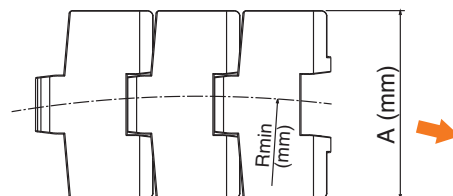
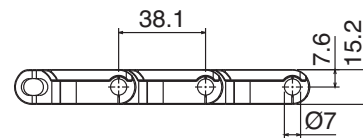
Material	Article-Nr.	Ref.	A (Plate Width) mm	Weight kg/m	Max working load (N)	Backflex radius min. mm
LF	1119 01 02	LF 878 TAB K325	82,5	1,06	2200	40
	1119 01 05	LF 878 TAB K450	114,3	1,18		
MX	1119 03 02	MX 878 TAB K325	82,5	1,06	1750	
	1119 03 05	MX 878 TAB K450	114,3	1,18		
MK	1119 08 02	MK 878 TAB K325	82,5	1,06	2100	
	1119 08 05	MK 878 TAB K450	114,3	1,18		
MP	1119 13 02	MP 878 TAB K325	82,5	1,06	2200	
	1119 13 05	MP 878 TAB K450	114,3	1,18		
DKM	1119 16 02	DKM 878 TAB K325	82,5	1,06	2200	
	1119 16 05	DKM 878 TAB K450	114,3	1,18		
MWX	1119 17 02	MWX 878 TAB K325	82,5	1,06	2200	
	1119 17 05	MWX 878 TAB K450	114,3	1,18		



Pins: Stainless Steel

# 879 M

## 879 M catena curvilinea / Sideflexing chain / kurvengängige Scharnierbandkette



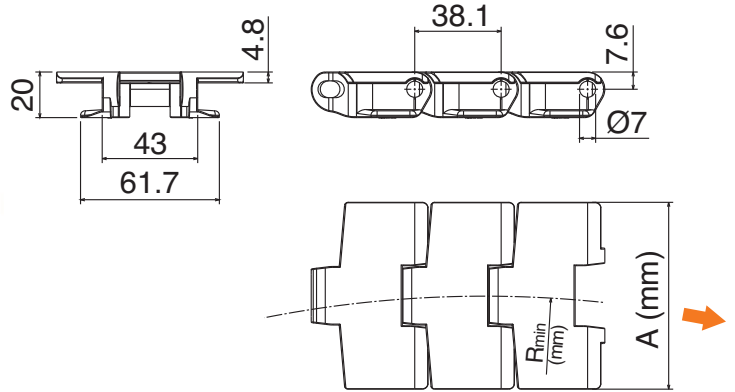
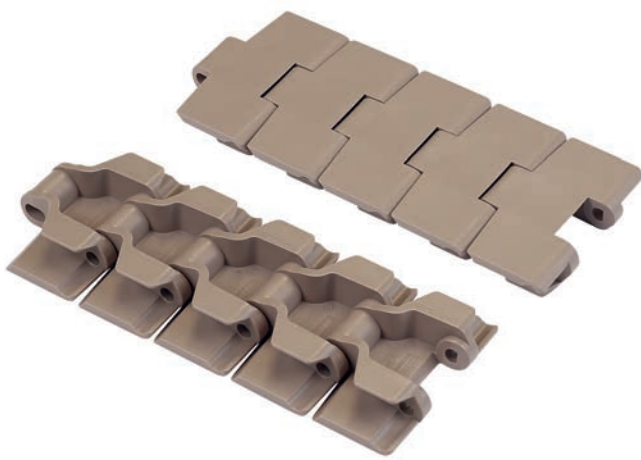
**Magnetic System**

Material	Article-Nr.	Ref.	A (Plate Width) mm	R mm	Weight kg/m	Max working load (N)	Backflex radius min. mm
LF	1124 01 02	LF 879 M K325	82,5	457	1,05	2200	50
	1124 01 05	LF 879 M K450	114,3		1,15		
MX	1124 03 02	MX 879 M K325	82,5		1,05	1750	
	1124 03 05	MX 879 M K450	114,3		1,15		
MK	1124 08 02	MK 879 M K325	82,5		1,05	2100	
	1124 08 05	MK 879 M K450	114,3		1,15		
MP	1124 13 02	MP 879 M K325	82,5		1,05	2200	
	1124 13 05	MP 879 M K450	114,3		1,15		
DKM	1124 16 02	DKM 879 M K325	82,5		1,05	2200	
	1124 16 05	DKM 879 M K450	114,3		1,15		
MWX	1124 17 02	MWX 879 M K325	82,5		1,05	2200	
	1124 17 05	MWX 879 M K450	114,3		1,15		



Pins: Ferritic Stainless Steel

## 879 TAB catena curvilinea / Sideflexing chain / kurvengängige Scharnierbandkette



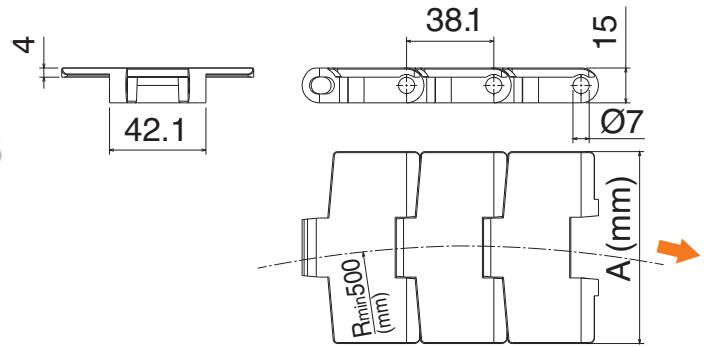
### Tab System

Material	Article-Nr.	Ref.	A (Plate Width) mm	R mm	Weight kg/m	Max working load (N)	Backflex radius min. mm
LF	1125 01 02	LF 879 TAB K325	82,5	457	1,01	2200	50
	1125 01 05	LF 879 TAB K450	114,3	610	1,13		
MX	1125 03 02	MX 879 TAB K325	82,5	457	1,01	1750	
	1125 03 05	MX 879 TAB K450	114,3	610	1,13		
MK	1125 08 02	MK 879 TAB K325	82,5	457	1,01	2100	
	1125 08 05	MK 879 TAB K450	114,3	610	1,13		
MP	1125 13 02	MP 879 TAB K325	82,5	457	1,01	2200	
	1125 13 05	MP 879 TAB K450	114,3	610	1,13		
DKM	1125 16 02	DKM 879 TAB K325	82,5	457	1,01	2200	
	1125 16 05	DKM 879 TAB K450	114,3	610	1,13		
MWX	1125 17 02	MWX 879 TAB K325	82,5	457	1,01	2200	
	1125 17 05	MWX 879 TAB K450	114,3	610	1,13		

Pins: Stainless Steel



## 880 M catena curvilinea / Sideflexing chain / kurvengängige Scharnierbandkette



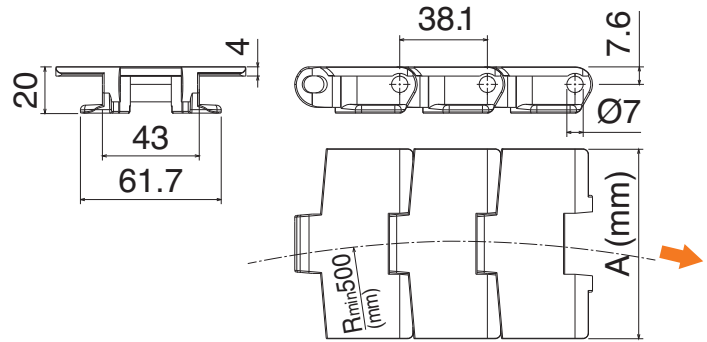
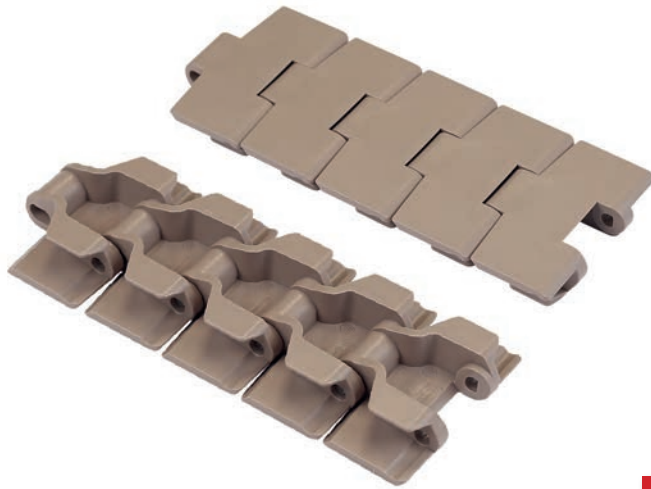
**Magnetic System**

Material	Article-Nr.	Ref.	A (Plate Width) mm	Weight kg/m	Max working load (N)	Backflex radius min. mm
LF	1110 01 02	LF 880 M K325	82,5	1,05	2200	50
	1110 01 03	LF 880 M K330	83,8	1,09		
	1110 01 05	LF 880 M K450	114,3	1,15		
MX	1110 03 02	MX 880 M K325	82,5	1,05	1750	
	1110 03 03	MX 880 M K330	83,8	1,09		
	1110 03 05	MX 880 M K450	114,3	1,15		
MK	1110 08 02	MK 880 M K325	82,5	1,05	2100	
	1110 08 03	MK 880 M K330	83,8	1,09		
	1110 08 05	MK 880 M K450	114,3	1,15		
MP	1110 13 02	MP 880 M K325	82,5	1,05	2200	
	1110 13 03	MP 880 M K330	83,8	1,09		
	1110 13 05	MP 880 M K450	114,3	1,15		
DKM	1110 16 02	DKM 880 M K325	82,5	1,05	2200	
	1110 16 03	DKM 880 M K330	83,8	1,09		
	1110 16 05	DKM 880 M K450	114,3	1,15		
MWX	1110 17 02	MWX 880 M K325	82,5	1,05	2200	
	1110 17 03	MWX 880 M K330	83,8	1,09		
	1110 17 05	MWX 880 M K450	114,3	1,15		



Pins: Ferritic Stainless Steel

## 880 TAB catena curvilinea / Sideflexing chain / kurvengängige Scharnierbandkette



### Tab System

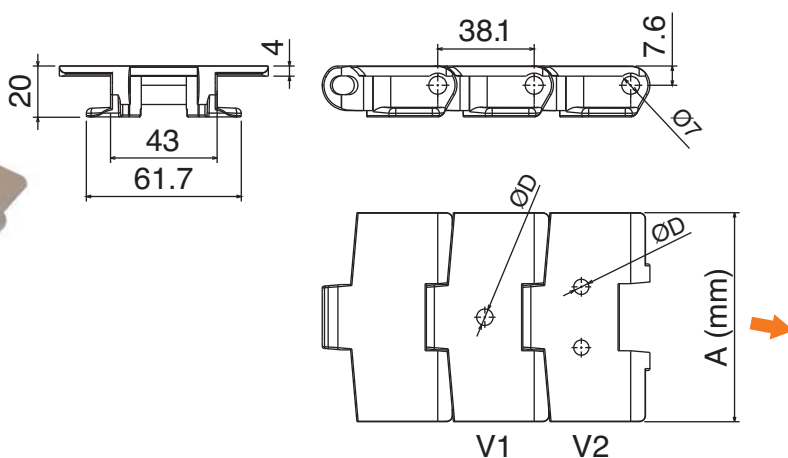
Material	Article-Nr.	Ref.	A (Plate Width) mm	Weight kg/m	Max working load (N)	Backflex radius min. mm
LF	1111 01 02	LF 880 TAB K325	82,5	1,015	2200	40
	1111 01 03	LF 880 TAB K330	83,8	1,018		
	1111 01 05	LF 880 TAB K450	114,3	1,09		
MX	1111 03 02	MX 880 TAB K325	82,5	1,015	1750	
	1111 03 03	MX 880 TAB K330	83,8	1,018		
	1111 03 05	MX 880 TAB K450	114,3	1,09		
MK	1111 08 02	MK 880 TAB K325	82,5	1,015	2100	
	1111 08 03	MK 880 TAB K330	83,8	1,018		
	1111 08 05	MK 880 TAB K450	114,3	1,09		
MP	1111 13 02	MP 880 TAB K325	82,5	1,015	2200	
	1111 13 03	MP 880 TAB K330	83,8	1,018		
	1111 13 05	MP 880 TAB K450	114,3	1,09		
DKM	1111 16 02	DKM 880 TAB K325	82,5	1,015	2200	
	1111 16 03	DKM 880 TAB K330	83,8	1,018		
	1111 16 05	DKM 880 TAB K450	114,3	1,09		
MWX	1111 17 02	MWX 880 TAB K325	82,5	1,015	2200	
	1111 17 03	MWX 880 TAB K330	83,8	1,018		
	1111 17 05	MWX 880 TAB K450	114,3	1,09		



Pins: Stainless Steel

# 880 TAB

**880 TAB** catena curvilinea / Sideflexing chain / kurvengängige Scharnierbandkette



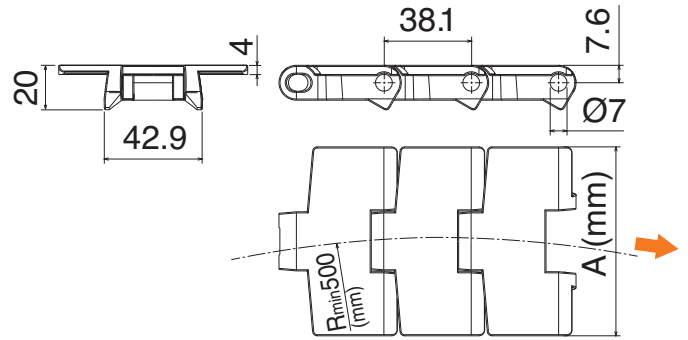
**Tab System**

Material	Article-Nr.	Ref.	A (Plate Width) mm	Weight kg/m	D mm	Max working load (N)	Backflex radius min. mm
LF	<b>1156 01 02</b>	LF 880 V1 K325	82,5	1,015	6,5	2200	40
	<b>1157 01 02</b>	LF 880 V2 K325	82,5	1,015			
	<b>1157 01 05</b>	LF 880 V2 K450	114,3	1,09			



Pins: Stainless Steel

## 880 B catena curvilinea / Sideflexing chain / kurvengängige Scharnierbandkette



**Bevel System**

Material	Article-Nr.	Ref.	A (Plate Width) mm	Weight kg/m	Max working load (N)	Backflex radius min. mm
LF	1112 01 02	LF 880 B K325	82,5	0,89	2200	40
	1112 01 04	LF 880 B K350	88,9	0,93		
	1112 01 05	LF 880 B K450	114,3	1,05		
MX	1112 03 02	MX 880 B K325	82,5	0,89	1750	
	1112 03 04	MX 880 B K350	88,9	0,93		
	1112 03 05	MX 880 B K450	114,3	1,05		

10 feet  
3.048 m  
80 links

pg 62-63

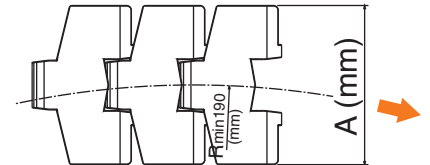
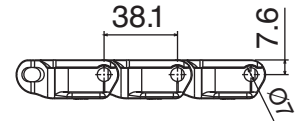
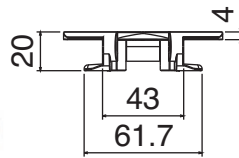
pg 328->336

Pins: Stainless Steel

# 880 TAB BO

880 TAB BO catena curvilinea / Sideflexing chain / kurvengängige Scharnierbandkette

**New**



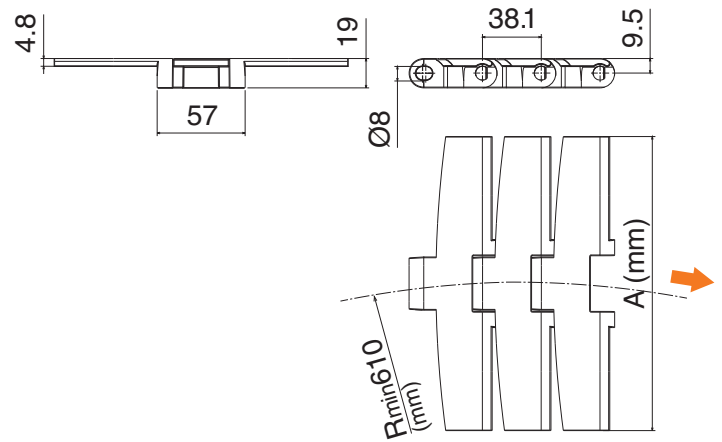
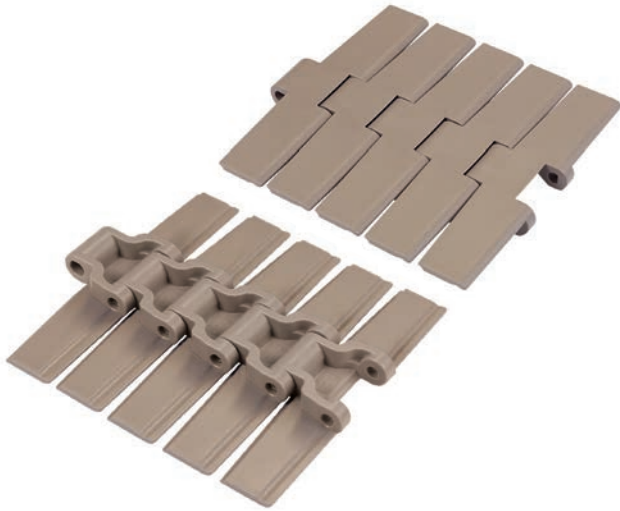
Material	Article-Nr.	Ref.	A (Plate Width) mm	Weight kg/m	Max working load (N)	Backflex radius min. mm
LF	1126 01 02	LF 880 TAB BO K325	82,5	0,96	1680	40
	1126 01 05	LF 880 TAB BO K450	114,3	1,10		
MX	1126 03 02	MX 880 TAB BO K325	82,5	0,96	1350	
	1126 03 05	MX 880 TAB BO K450	114,3	1,10		



Pins: Stainless Steel



## 882 M catena curvilinea / Sideflexing chain / kurvengängige Scharnierbandkette



**Magnetic System**

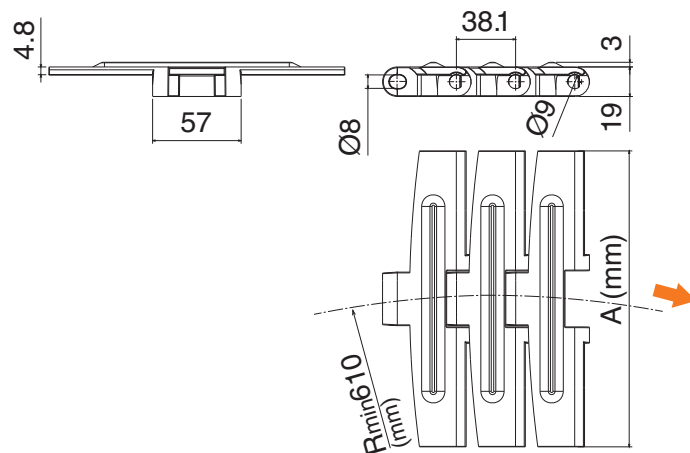
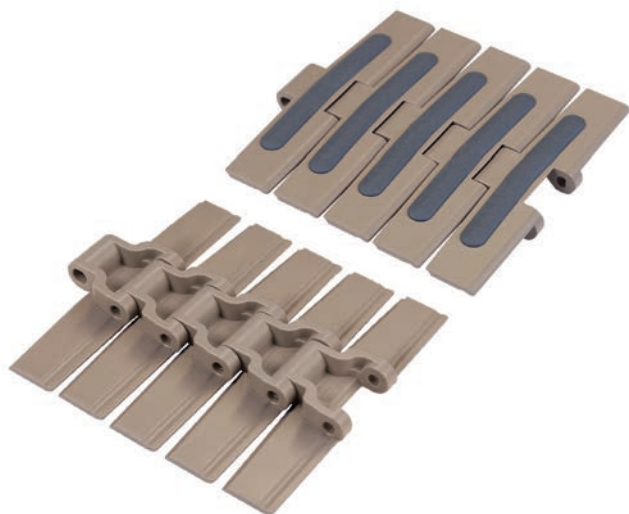
Material	Article-Nr.	Ref.	A (Plate Width) mm	Weight kg/m	Max working load (N)	Backflex radius min. mm
LF	1113 01 07	LF 882 M K750	190,5	2,14	3830	50
	1113 01 08	LF 882 M K1000	254,0	2,45		
	1113 01 09	LF 882 M K1200	304,8	2,68		
MX	1113 03 07	MX 882 M K750	190,5	2,14	3050	
	1113 03 08	MX 882 M K1000	254,0	2,45		
	1113 03 09	MX 882 M K1200	304,8	2,68		
MK	1113 08 07	MK 882 M K750	190,5	2,14	3670	
	1113 08 08	MK 882 M K1000	254,0	2,45		
	1113 08 09	MK 882 M K1200	304,8	2,68		
MP	1113 13 07	MP 882 M K750	190,5	2,14	3830	
	1113 13 08	MP 882 M K1000	254,0	2,45		
	1113 13 09	MP 882 M K1200	304,8	2,68		
DKM	1113 16 07	DKM 882 M K750	190,5	2,14	3830	
	1113 16 08	DKM 882 M K1000	254,0	2,45		
	1113 16 09	DKM 882 M K1200	304,8	2,68		
MWX	1113 17 07	MWX 882 M K750	190,5	2,14	3830	
	1113 17 08	MWX 882 M K1000	254,0	2,45		
	1113 17 09	MWX 882 M K1200	304,8	2,68		



Pins: Ferritic Stainless Steel

# 882 M GT

882 M GT catena curvilinea / Sideflexing chain / kurvengängige Scharnierbandkette



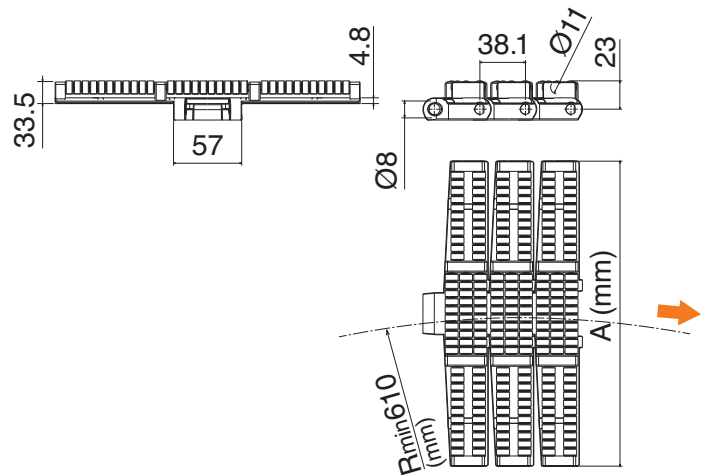
**Magnetic System**

Material	Article-Nr.	Ref.	A (Plate Width) mm	Weight kg/m	Max working load (N)	Backflex radius min. mm
LF	1115 01 07	LF 882 M GT K750	190,5	2,10	3830	50
	1115 01 08	LF 882 M GT K1000	254,0	2,45		
	1115 01 09	LF 882 M GT K1200	304,8	2,74		
MX	1115 03 07	MX 882 M GT K750	190,5	2,10	3050	
	1115 03 08	MX 882 M GT K1000	254,0	2,45		
	1115 03 09	MX 882 M GT K1200	304,8	2,74		



Pins: Ferritic Stainless Steel  
TPE Rubber: 75 ShA

## 882 M LBP *catena curvilinea / Sideflexing chain / kurvengängige Scharnierbandkette*



**Magnetic System**

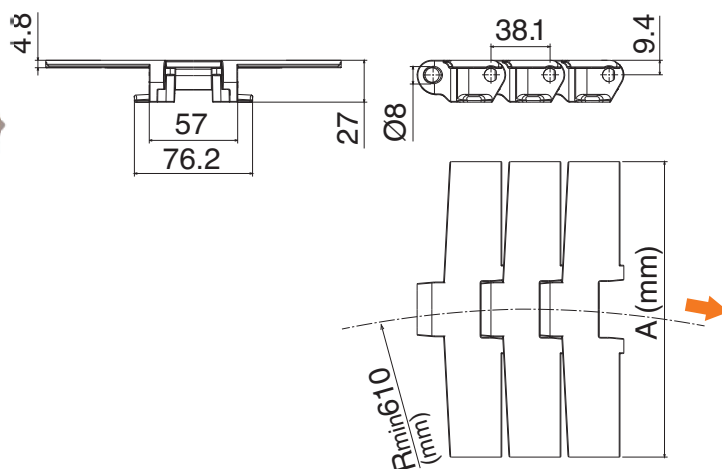
Material	Article-Nr.	Ref.	A (Plate Width) mm	Weight kg/m	Max working load (N)	Backflex radius min. mm
LFA	1117 01 07	LFA 882 M LBP K750	190,5	3,92	3830	200
	1117 01 08	LFA 882 M LBP K1000	254,0	4,94		
	1117 01 09	LFA 882 M LBP K1200	304,8	5,82		

Pins: Ferritic Stainless Steel



# 882 TAB

882 TAB catena curvilinea / Sideflexing chain / kurvengängige Scharnierbandkette



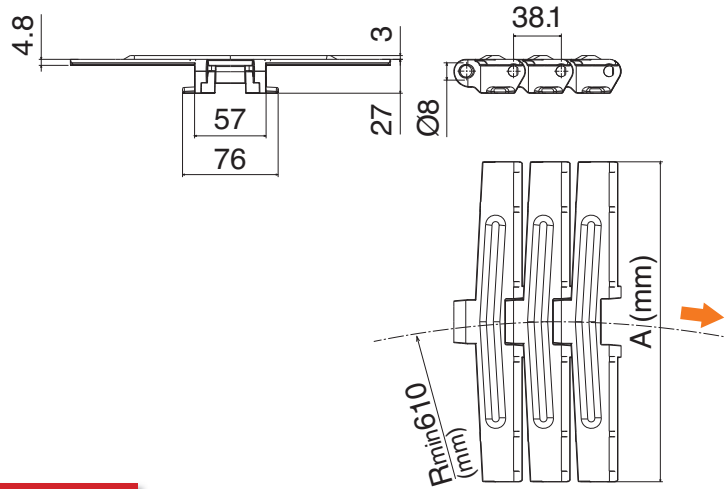
**Tab System**

Material	Article-Nr.	Ref.	A (Plate Width) mm	Weight kg/m	Max working load (N)	Backflex radius min. mm
LF	1114 01 05	LF 882 TAB K450	114,3	2,05	3830	40
	1114 01 06	LF 882 TAB K600	152,4	2,20		
	1114 01 07	LF 882 TAB K750	190,5	2,45		
	1114 01 08	LF 882 TAB K1000	254,0	2,85		
	1114 01 09	LF 882 TAB K1200	304,8	3,40		
MX	1114 03 05	MX 882 TAB K450	114,3	2,05	3050	
	1114 03 06	MX 882 TAB K600	152,4	2,20		
	1114 03 07	MX 882 TAB K750	190,5	2,45		
	1114 03 08	MX 882 TAB K1000	254,0	2,85		
	1114 03 09	MX 882 TAB K1200	304,8	3,40		
MK	1114 08 05	MK 882 TAB K450	114,3	2,05	3670	
	1114 08 06	MK 882 TAB K600	152,4	2,20		
	1114 08 07	MK 882 TAB K750	190,5	2,45		
	1114 08 08	MK 882 TAB K1000	254,0	2,85		
	1114 08 09	MK 882 TAB K1200	304,8	3,40		
MP	1114 13 05	MP 882 TAB K450	114,3	2,05	3830	
	1114 13 06	MP 882 TAB K600	152,4	2,20		
	1114 13 07	MP 882 TAB K750	190,5	2,45		
	1114 13 08	MP 882 TAB K1000	254,0	2,85		
	1114 13 09	MP 882 TAB K1200	304,8	3,40		
DKM	1114 16 05	DKM 882 TAB K450	114,3	2,05	3830	
	1114 16 06	DKM 882 TAB K600	152,4	2,20		
	1114 16 07	DKM 882 TAB K750	190,5	2,45		
	1114 16 08	DKM 882 TAB K1000	254,0	2,85		
	1114 16 09	DKM 882 TAB K1200	304,8	3,40		
MWX	1114 17 05	MWX 882 TAB K450	114,3	2,05	3830	
	1114 17 06	MWX 882 TAB K600	152,4	2,20		
	1114 17 07	MWX 882 TAB K750	190,5	2,45		
	1114 17 08	MWX 882 TAB K1000	254,0	2,85		
	1114 17 09	MWX 882 TAB K1200	304,8	3,40		



Pins: Stainless Steel

## 882 TAB GT *catena curvilinea / Sideflexing chain / kurvengängige Scharnierbandkette*



**Tab System**

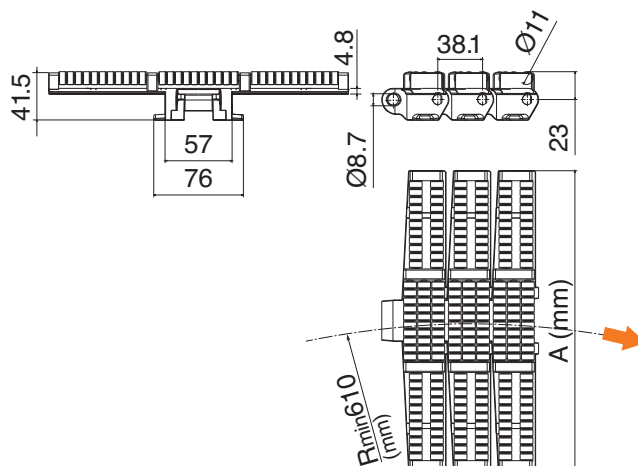
Material	Article-Nr.	Ref.	A (Plate Width) mm	Weight kg/m	Max working load (N)	Backflex radius min. mm
LF	<b>1116 01 07</b>	LF 882 TAB GT K750	190,5	2,37	3830	40
	<b>1116 01 08</b>	LF 882 TAB GT K1000	254,0	2,67		
	<b>1116 01 09</b>	LF 882 TAB GT K1200	304,8	2,92		
MX	<b>1116 03 07</b>	MX 882 TAB GT K750	190,5	2,37	3050	
	<b>1116 03 08</b>	MX 882 TAB GT K1000	254,0	2,67		
	<b>1116 03 09</b>	MX 882 TAB GT K1200	304,8	2,92		



**Pins:** Stainless Steel  
**TPE Rubber:** 75 ShA

# 882 TAB LBP

882 TAB LBP catena curvilinea / Sideflexing chain / kurvengängige Scharnierbandkette



**Tab System**

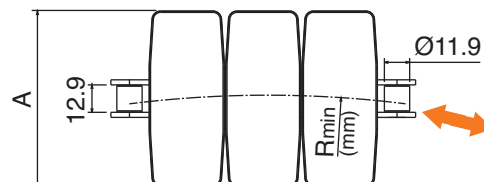
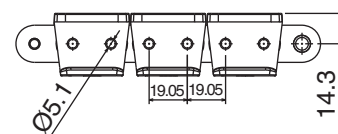
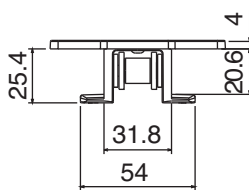
Material	Article-Nr.	Ref.	A (Plate Width) mm	Weight kg/m	Max working load (N)	Backflex radius min. mm
LFA	1118 01 05	LFA 882 TAB LBP K450	114,3	4,00	3830	200
	1118 01 07	LFA 882 TAB LBP K750	190,5	4,70		
	1118 01 08	LFA 882 TAB LBP K1000	254,0	5,95		
	1118 01 09	LFA 882 TAB LBP K1200	304,8	6,55		



Pins: Stainless Steel

## 1873 catena curvilinea / Sideflexing chain / kurvengängige Scharnierbandkette

**New**



Material	Article-Nr.	Chain	Ref.	A (Plate Width) mm	Weight kg/m	Max working load (N)	Sideflex radius min. mm		
LF	1159 01 02	C45	LF 1873 TAB K325	82,5	2,10	4500	390		
	1160 01 02	Stainless Steel				3500			
	1159 01 05	C45	LF 1873 TAB K450	114,3	2,30	4500			
	1160 01 05	Stainless Steel				3500			
	1159 01 06	C45	LF 1873 TAB K600	152,4	2,40	4500		457	
	1160 01 06	Stainless Steel				3500			
	1159 01 07	C45	LF 1873 TAB K750	190,5	2,60	4500			
	1160 01 07	Stainless Steel				3500			
	1159 01 08	C45	LF 1873 TAB K1000	254,0	2,80	4500			
	1160 01 08	Stainless Steel				3500			
1159 01 09	C45	LF 1873 TAB K1200	304,8	3,00	4500	610			
1160 01 09	Stainless Steel				3500				
MX	1159 03 02	C45	MX 1873 TAB K325	82,5	2,10		4500		390
	1160 03 02	Stainless Steel					3500		
	1159 03 05	C45	MX 1873 TAB K450	114,3	2,30		4500		
	1160 03 05	Stainless Steel					3500		
	1159 03 06	C45	MX 1873 TAB K600	152,4	2,40		4500	457	
	1160 03 06	Stainless Steel					3500		
	1159 03 07	C45	MX 1873 TAB K750	190,5	2,60		4500		
	1160 03 07	Stainless Steel					3500		
	1159 03 08	C45	MX 1873 TAB K1000	254,0	2,80	4500			
	1160 03 08	Stainless Steel				3500			
	1159 03 09	C45	MX 1873 TAB K1200	304,8	3,00	4500	610		
	1160 03 09	Stainless Steel				3500			

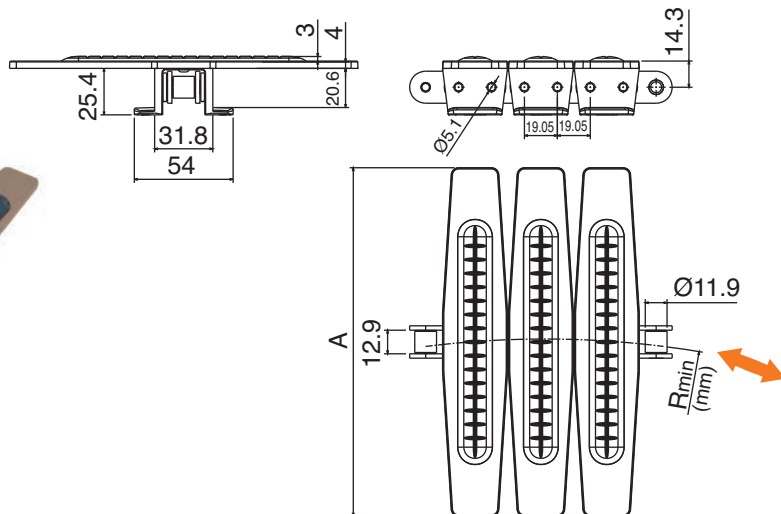


This product is available with **LONG-LIFE** stainless steel roller chain: to order the improved version please add the suffix "S" to the code number.

# 1873 GT

1873 GT catena curvilinea / Sideflexing chain / kurvengängige Scharnierbandkette

**New**



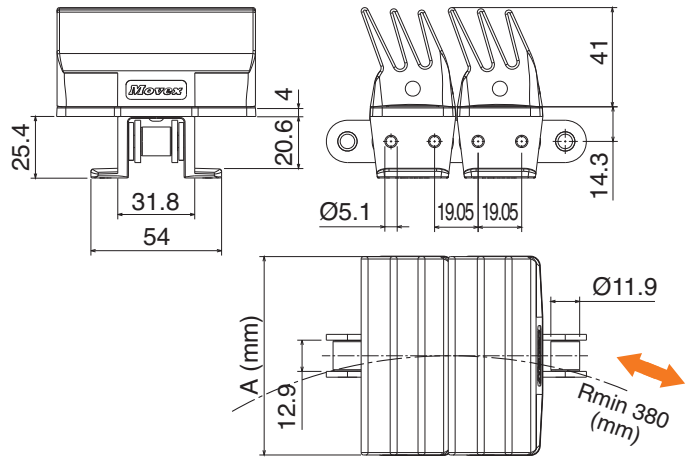
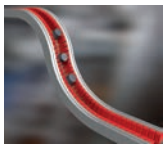
Material	Article-Nr.	Chain	Ref.	A (Plate Width) mm	Weight kg/m	Max working load (N)	Sideflex radius min. mm	
LF	1161 01 07	C45	LF 1873 GT TAB K750	190,5	2,60	4500	457	
	1162 01 07	Stainless Steel				3500		
	1161 01 08	C45	LF 1873 GT TAB K1000	254,0	2,80	4500		
	1162 01 08	Stainless Steel				3500		
	1161 01 09	C45	LF 1873 GT TAB K1200	304,8	3,00	4500		610
	1162 01 09	Stainless Steel				3500		
MX	1161 03 07	C45	MX 1873 GT TAB K750	190,5	2,60	4500	457	
	1162 03 07	Stainless Steel				3500		
	1161 03 08	C45	MX 1873 GT TAB K1000	254,0	2,80	4500		
	1162 03 08	Stainless Steel				3500		
	1161 03 09	C45	MX 1873 GT TAB K1200	304,8	3,00	4500		610
	1162 03 09	Stainless Steel				3500		



This product is available with **LONG-LIFE** stainless steel roller chain: to order the improved version please add the suffix **"S"** to the code number. **TPE Rubber: 75 ShA**



## 1873 GRIPPER GS1 *catena curvilinea / Sideflexing chain / kurvengängige Scharnierbandkette*



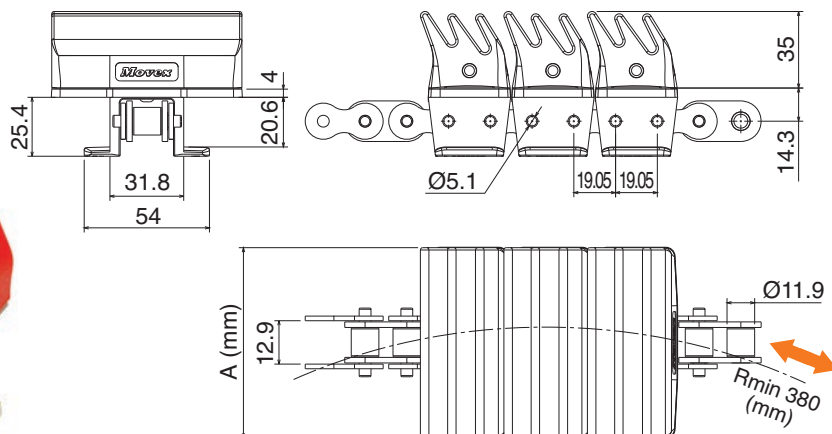
Material	Article-Nr.	Chain	Rubber	Ref.	A (width) mm	Weight kg/m	Max working load (N)
LFD	1120 01 02	C45	TPR	1873 TAB K325 GR	82,5	4,354	4500
	1120 01 05			1873 TAB K450 GR	114,3		
	1120 02 02	Nickel Plated Steel		1873 NP TAB K325 GR	82,5		3500
	1120 02 05			1873 NP TAB K450 GR	114,3		
	1120 03 02	Stainless Steel		1873 SS TAB K325 GR	82,5		3500
	1120 03 05			1873 SS TAB K450 GR	114,3		
MX	1132 01 02	C45	TPR	1873 TAB K325 GR	82,5	4,354	4500
	1132 01 05			1873 TAB K450 GR	114,3		
	1132 02 02	Nickel Plated Steel		1873 NP TAB K325 GR	82,5		3500
	1132 02 05			1873 NP TAB K450 GR	114,3		
	1132 03 02	Stainless Steel		1873 SS TAB K325 GR	82,5		3500
	1132 03 05			1873 SS TAB K450 GR	114,3		
PP	1121 01 02	C45	EPDM-PP	1873 TAB K325 GR	82,5	4,354	4500
	1121 01 05			1873 TAB K450 GR	114,3		
	1121 02 02	Nickel Plated Steel		1873 NP TAB K325 GR	82,5		3500
	1121 02 05			1873 NP TAB K450 GR	114,3		
	1121 03 02	Stainless Steel		1873 SS TAB K325 GR	82,5		3500
	1121 03 05			1873 SS TAB K450 GR	114,3		
MWX	1133 01 02	C45	TPR	1873 TAB K325 GR	82,5	4,354	4500
	1133 01 05			1873 TAB K450 GR	114,3		
	1133 02 02	Nickel Plated Steel		1873 NP TAB K325 GR	82,5		3500
	1133 02 05			1873 NP TAB K450 GR	114,3		
	1133 03 02	Stainless Steel		1873 SS TAB K325 GR	82,5		3500
	1133 03 05			1873 SS TAB K450 GR	114,3		



This product is available with **LONG-LIFE** stainless steel roller chain: to order the improved version please add the suffix "S" to the code number.

# 1873 GRIPPER GS2

## 1873 GRIPPER GS2 catena curvilinea / Sideflexing chain / kurvengängige Scharnierbandkette

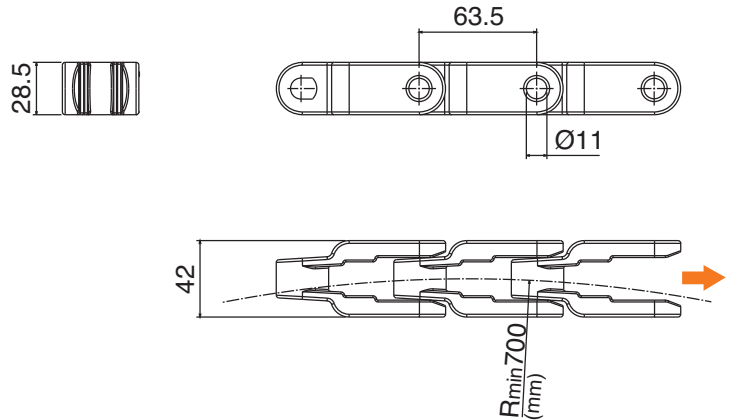


Material	Article-Nr.	Chain	Rubber	Ref.	A (width) mm	Weight kg/m	Max working load (N)
LFD	1128 01 02	C45	TPR	1873 TAB K325 GR	82,5	4,354	4500
	1128 01 05			1873 TAB K450 GR	114,3		
	1128 02 02	Nickel Plated Steel		1873 NP TAB K325 GR	82,5		3500
	1128 02 05			1873 NP TAB K450 GR	114,3		
	1128 03 02	Stainless Steel		1873 SS TAB K325 GR	82,5		3500
	1128 03 05			1873 SS TAB K450 GR	114,3		
MX	1134 01 02	C45	TPR	1873 TAB K325 GR	82,5	4,354	4500
	1134 01 05			1873 TAB K450 GR	114,3		
	1134 02 02	Nickel Plated Steel		1873 NP TAB K325 GR	82,5		3500
	1134 02 05			1873 NP TAB K450 GR	114,3		
	1134 03 02	Stainless Steel		1873 SS TAB K325 GR	82,5		3500
	1134 03 05			1873 SS TAB K450 GR	114,3		
PP	1129 01 02	C45	EPDM-PP	1873 TAB K325 GR	82,5	4,354	4500
	1129 01 05			1873 TAB K450 GR	114,3		
	1129 02 02	Nickel Plated Steel		1873 NP TAB K325 GR	82,5		3500
	1129 02 05			1873 NP TAB K450 GR	114,3		
	1129 03 02	Stainless Steel		1873 SS TAB K325 GR	82,5		3500
	1129 03 05			1873 SS TAB K450 GR	114,3		
MWX	1135 01 02	C45	TPR	1873 TAB K325 GR	82,5	4,354	4500
	1135 01 05			1873 TAB K450 GR	114,3		
	1135 02 02	Nickel Plated Steel		1873 NP TAB K325 GR	82,5		3500
	1135 02 05			1873 NP TAB K450 GR	114,3		
	1135 03 02	Stainless Steel		1873 SS TAB K325 GR	82,5		3500
	1135 03 05			1873 SS TAB K450 GR	114,3		



This product is available with **LONG-LIFE** stainless steel roller chain: to order the improved version please add the suffix "S" to the code number.

## CC 600 catena curvilinea / Sideflexing chain / kurvengängige Kette

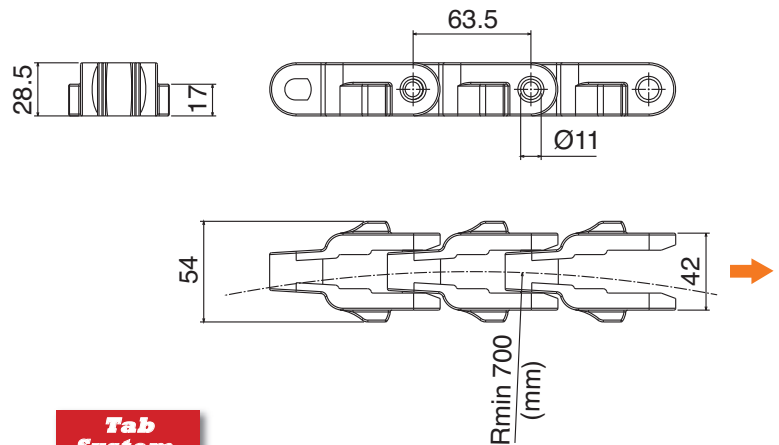


Material	Article-Nr.	Ref.	A (Plate Width) mm	Weight kg/m	Max working load (N)	Backflex radius min. mm
LFN	1122 04 00	CC 600	42	1,35	4000	50
MX	1122 03 00	CC 600	42	1,35	3200	



**Pins:** Stainless Steel  
Available in different materials on request

## CC 600 TAB catena curvilinea / Sideflexing chain / kurvengängige Kette



Material	Article-Nr.	Ref.	A (Plate Width) mm	Weight kg/m	Max working load (N)	Backflex radius min. mm
LFN	1123 04 00	CC 600 TAB	42	1,45	4000	50
MX	1123 03 00	CC 600 TAB	42	1,45	3200	

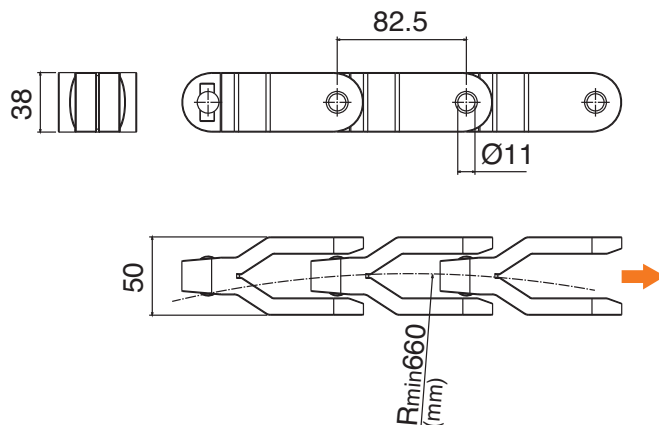


**Pins:** Stainless Steel  
Available in different materials on request

# CC 1400-CC 1400TAB

## CC 1400 catena curvilinea / Sideflexing chain / kurvengängige Kette

**New**



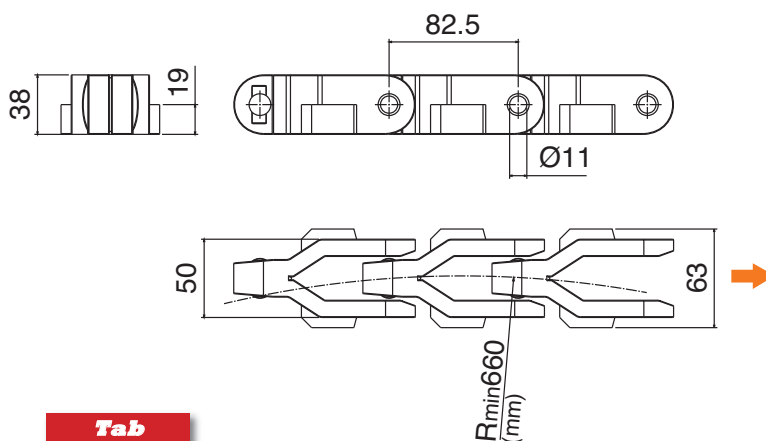
Material	Article-Nr.	Ref.	A (Plate Width) mm	Weight kg/m	Max working load (N)	Backflex radius min. mm
LFN	1130 04 00	CC 1400	50	3,24	6500	50
MX	1130 03 00	CC 1400	50	3,24	5200	



**Pins:** Stainless Steel  
Available in different materials on request

## CC 1400 TAB catena curvilinea / Sideflexing chain / kurvengängige Kette

**New**



Material	Article-Nr.	Ref.	A (Plate Width) mm	Weight kg/m	Max working load (N)	Backflex radius min. mm
LFN	1131 04 00	CC 1400 TAB	50	3,24	6500	50
MX	1131 03 00	CC 1400 TAB	50	3,24	5200	



**Pins:** Stainless Steel  
Available in different materials on request

## Ingranaggi

L'ingranaggio è uno dei più importanti componenti di un impianto di trasporto. Una ruota ben disegnata assicura una migliore performance e una maggior durata del trasportatore. Offriamo una vasta gamma di ruote fresate e stampate per soddisfare ogni necessità applicativa. Gli ingranaggi Movex nascono da anni di esperienza specifica ed offriamo la più avanzata soluzione:

1. Tutte le ruote sono concepite in due pezzi per un più facile montaggio/smontaggio sull'albero.
2. Tutte le superfici sono lisce per prevenire qualsiasi deposito.
3. I nostri ingranaggi sono ottenuti dal miglior poliammide per assicurare la più lunga durata e resistenza all'usura.
4. Il profilo del dente è specificamente disegnato per offrire la maggior superficie di contatto con la catena e/o il tappeto riducendo la forza esercitata su ciascun dente consentendo una vita più lunga dell'ingranaggio. Il design è sviluppato inoltre tenendo conto dell'allungamento naturale di catena/tappeto, garantendo agli stessi di performare senza problemi entro la soglia di tolleranza dell'allungamento.
5. Le viti in acciaio inossidabile vengono accoppiate con dadi autobloccanti e/o inserti nichelati per consentire un più facile smontaggio/riassembaggio anche dopo un lungo periodo dall'installazione.

## Sprockets

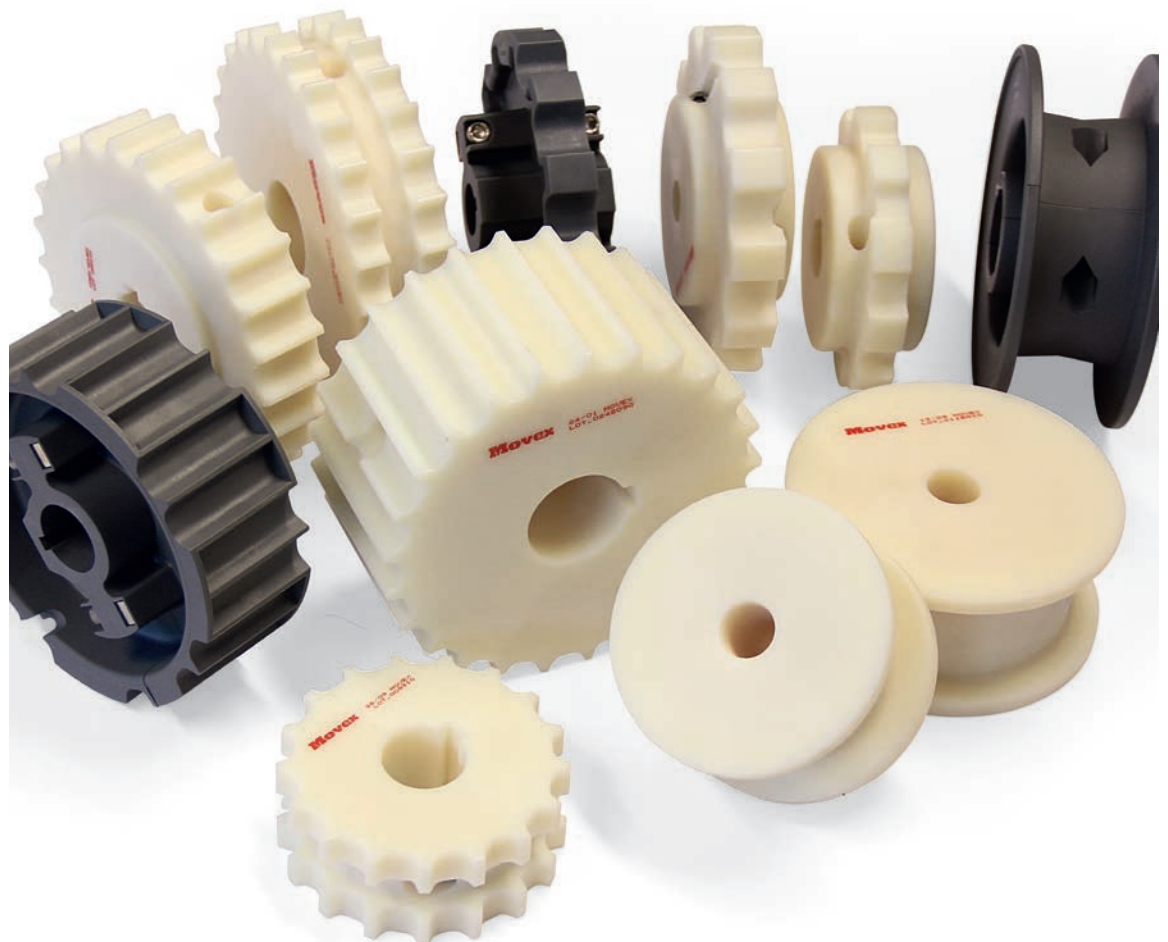
*The sprocket is one of the most important parts of a conveyor. A well designed sprocket will ensure that the conveyor runs smoothly and efficiently for a long time. We have a wide variety of machined and molded sprockets to cover all application needs. Movex Sprockets are designed based on many years of experience to provide you the ultimate solution.*

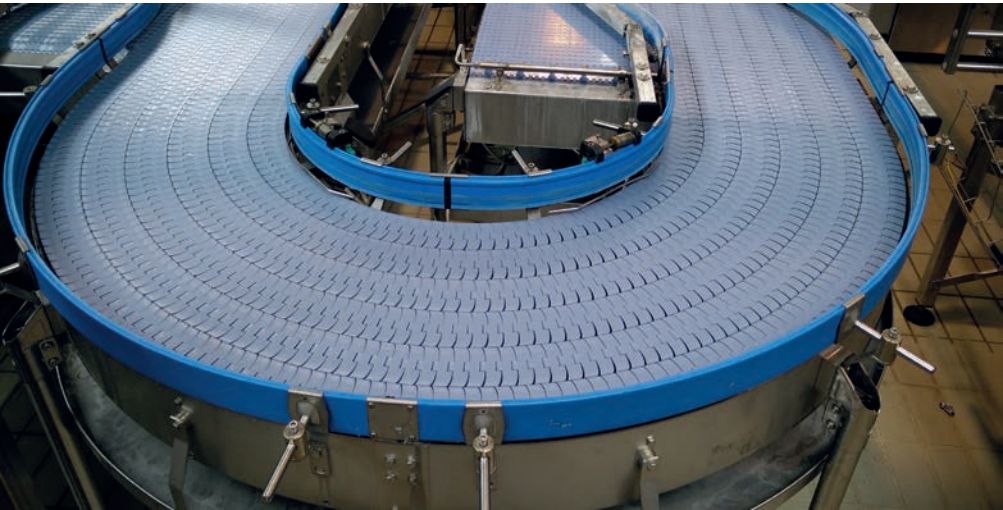
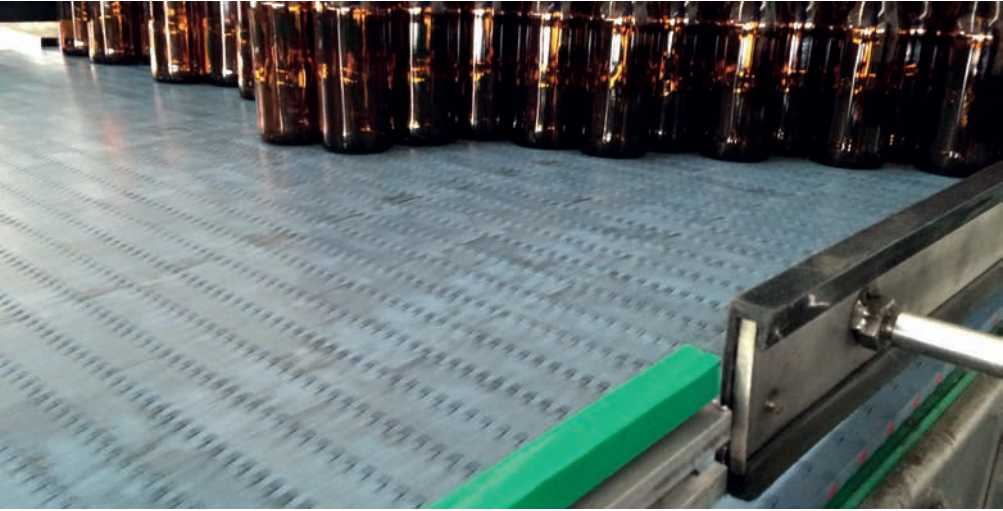
1. *All our sprockets are designed split so that it can be installed and uninstalled from the shaft easily.*
2. *All surfaces and edges from the sprockets are smooth to prevent dirt depositing easily. This makes cleaning easier, maintaining a high hygiene standard.*
3. *Our sprockets are produced from the best polyamide material to ensure longer wear life.*
4. *The sprocket teeth are uniquely designed to provide maximum contact surface with the chain henceforth giving lowest applied force per tooth. This ensures longer wear life for the sprocket. In addition the sprockets are designed in such a way that chain elongation tolerances can be absorbed. This will assure a life-long positive engagement between chain and sprocket.*
5. *Bolts used to assemble the sprockets are paired with nickel or zinc plated steel nuts to ensure easy removal.*

## Kettenräder

*Das Kettenrad ist eines der wichtigsten Komponenten in Transportanlagen. Eine intelligentes Design gewährleistet einen ruhigen Lauf und Effizienz für einen langen Zeitraum. Wir bieten ein umfangreiches Programm in gefräster oder gespritzter Ausführung um Ihren Anforderungen entgegen zu kommen. Movex Kettenräder basieren auf jahrelangen Erfahrungen aus den verschiedenen Industrien und vereinen diese Erkenntnisse in einem innovativen Design.*

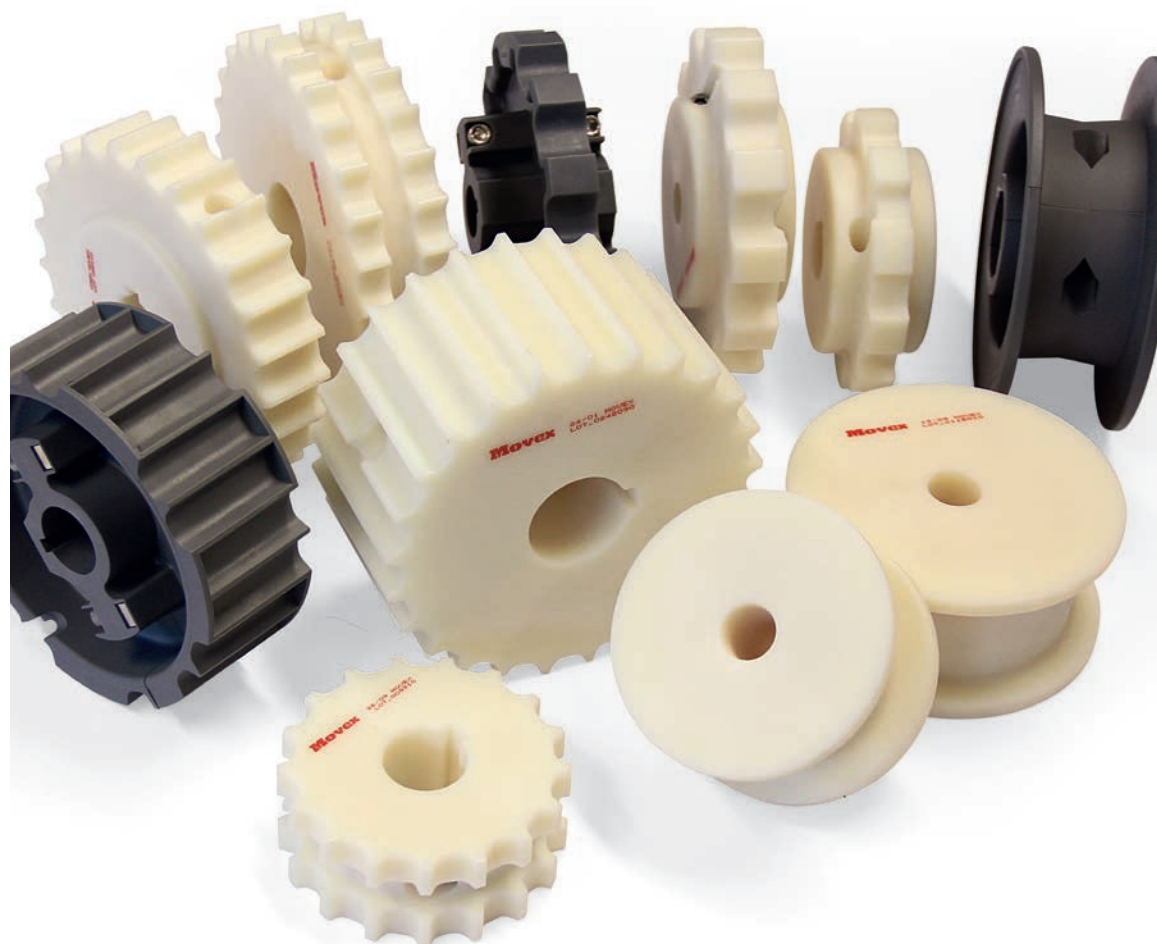
1. *Alle unsere Kettenräder sind zweigeteilt, d.h. einfache Montage und Demontage ohne großen Zeitaufwand*
2. *Alle Oberflächen sind glatt um Schmutzablagerungen zu vermeiden dies erleichtert eine schnelle und einfache Reinigung.*
3. *Die Materialien sind so gewählt um eine längere Lebensdauer bieten zu können*
4. *Die Zahnform ist so gewählt um maximale Kontaktfläche mit der Kette / Mattenkette zu erzielen. Dies ermöglicht eine länger Lebensdauer des Kettenrades. Die Ausführung ist so gewählt das eine Kettenlängung vom Kettenrad aufgenommen werden kann ohne sofort die Kette tauschen zu müssen.*
5. *Schrauben aus Edelstahl verbunden mit einer selbstsichernden Mutter aus vernickeltem Stahl. Dies garantiert eine problemlose Demontage auch noch nach Jahren.*





# chain sprockets

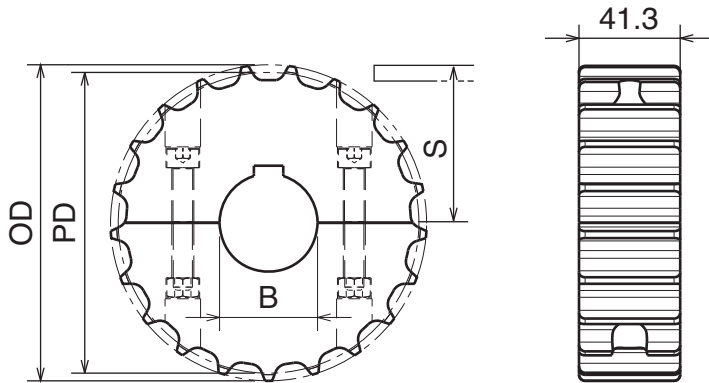
815  pag. 54	815  pag. 54	815  pag. 55	815  pag. 55	881  pag. 56	881  pag. 56
881  pag. 57	881  pag. 57	805  pag. 58	805  pag. 58	8157  pag. 59	8157  pag. 59
820  pag. 60	820  pag. 60	820  pag. 61	820  pag. 61	880  pag. 62	880  pag. 62
880  pag. 63	880  pag. 63	882  pag. 64	882  pag. 64	882  pag. 65	882  pag. 65
512  pag. 66	512  pag. 66	815  pag. 67	8157  pag. 67	805  pag. 68	820  pag. 68
CC600  pag. 69	CC1400  pag. 69				



Used also for series  
881M



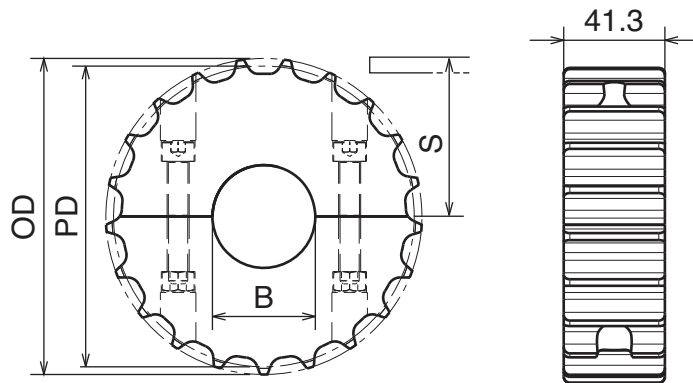
Ruota traino divisa, fresata / Split drive sprocket, machined / geteiltes Antriebskettenrad, gefräst



Part	Article-Nr.	Z-	Bore	PD	OD	S
501	50101	17	25	105,5	103,9	55,9
501	50102		30			
501	50103		35			
501	50104		40			
502	50201	19	25	117,3	117,0	61,9
502	50202		30			
502	50203		35			
502	50204		40			
503	50301	21	25	129,3	129,0	67,8
503	50302		30			
503	50303		35			
503	50304		40			
504	50401	23	25	141,2	142,0	73,8
504	50402		30			
504	50403		35			
504	50404		40			
505	50501	25	25	153,2	154,0	79,8
505	50502		30			
505	50503		35			
505	50504		40			
506	50601	27	25	165,2	166,8	85,8
506	50602		30			
506	50603		35			
506	50604		40			
507	50701	29	25	177,2	178,5	91,8
507	50702		30			
507	50703		35			
507	50704		40			



Ruota rinvio divisa, fresata / Split idler sprocket, machined / geteiltes Umlenkrad, gefräst



Part	Article-Nr.	Z-	Bore	PD	OD	S
501	50150	17	18*	105,5	103,9	55,9
501	50151		25			
501	50152		30			
501	50153		35			
501	50154		40			
502	50250	19	18*	117,3	117,0	61,9
502	50251		25			
502	50252		30			
502	50253		35			
502	50254		40			
503	50350	21	18*	129,3	129,0	67,8
503	50351		25			
503	50352		30			
503	50353		35			
503	50354		40			
504	50450	23	18*	141,2	142,0	73,8
504	50451		25			
504	50452		30			
504	50453		35			
504	50454		40			
505	50550	25	18*	153,2	154,0	79,8
505	50551		25			
505	50552		30			
505	50553		35			
505	50554		40			
506	50650	27	18*	165,2	166,8	85,8
506	50651		25			
506	50652		30			
506	50653		35			
506	50654		40			
507	50750	29	18*	177,2	178,5	91,8
507	50751		25			
507	50752		30			
507	50753		35			
507	50754		40			

\*Plain Bore



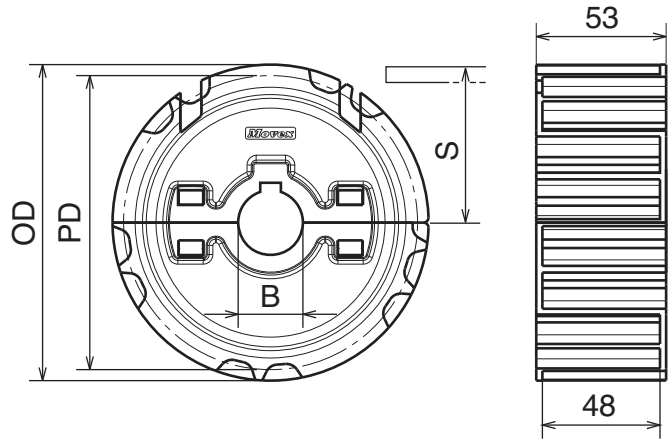
Materiale:	Material:	Materialien:
Poliammide rinforzato	Polyamide reinforced	Verstärktes Polyamid
Viti: Acciaio inox	Screws: Stainless steel	Schrauben: Edelstahl
Dadi: ottone nichelato	Nuts: nickel plated brass	Mutter: Messing vernickelt

Used also for series  
881M

**Ruota traino divisa, stampata / Split drive sprocket, molded / geteiltes Antriebskettenrad, gespritzt**



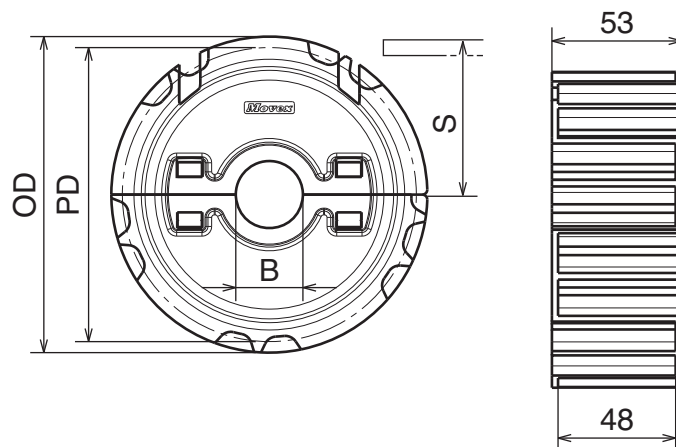
Part	Article-Nr.	Z-	Bore	PD	OD	S
508	50801	21	25	129,3	129,0	67,8
508	50802		30			
508	50803		35			
508	50804		40			
509	50901	23	25	141,2	142,0	73,8
509	50902		30			
509	50903		35			
509	50904		40			
510	51001	25	25	153,2	154,0	79,8
510	51002		30			
510	51003		35			
510	51004		40			



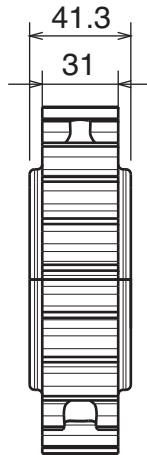
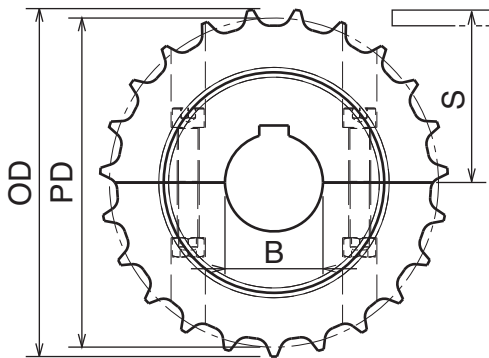
**Ruota rinvio divisa, stampata / Split idler sprocket, molded / geteiltes Umlenkrad, gespritzt**



Part	Article-Nr.	Z-	Bore	PD	OD	S
508	50851	21	25	129,3	129,0	67,8
508	50852		30			
508	50853		35			
508	50854		40			
509	50951	23	25	141,2	142,0	73,8
509	50952		30			
509	50953		35			
509	50954		40			
510	51051	25	25	153,2	154,0	79,8
510	51052		30			
510	51053		35			
510	51054		40			

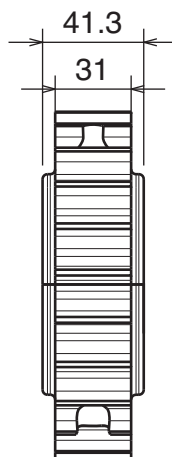
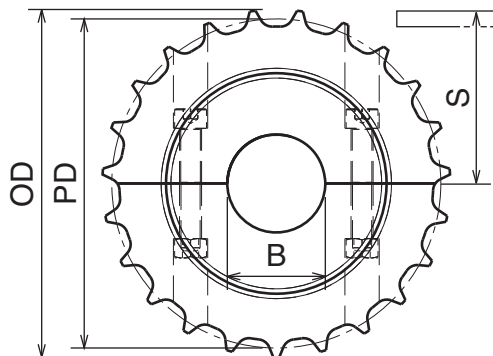


Used for series  
881B and 881TAB



Ruota traino divisa, fresata / Split drive sprocket, machined / geteiltes Antriebskettenrad, gefräst

Part	Article-Nr.	Z-	Bore	PD	OD	S
511	51101	17	25	105,5	103,9	55,9
511	51102		30			
511	51103		35			
511	51104		40			
512	51201	19	25	117,3	117,0	61,9
512	51202		30			
512	51203		35			
512	51204		40			
513	51301	21	25	129,3	129,0	67,8
513	51302		30			
513	51303		35			
513	51304		40			
514	51401	23	25	141,2	142,0	73,8
514	51402		30			
514	51403		35			
514	51404		40			
515	51501	25	25	153,2	154,0	79,8
515	51502		30			
515	51503		35			
515	51504		40			
516	51601	27	25	165,2	166,8	85,8
516	51602		30			
516	51603		35			
516	51604		40			
517	51701	29	25	177,2	178,5	91,8
517	51702		30			
517	51703		35			
517	51704		40			



Ruota rinvio divisa, fresata / Split idler sprocket, machined / geteiltes Umlenkrad, gefräst

Part	Article-Nr.	Z-	Bore	PD	OD	S
511	51150	17	18*	105,5	103,9	55,9
511	51151		25			
511	51152		30			
511	51153		35			
511	51154		40			
512	51250	19	18*	117,3	117,0	61,9
512	51251		25			
512	51252		30			
512	51253		35			
512	51254		40			
513	51350	21	18*	129,3	129,0	67,8
513	51351		25			
513	51352		30			
513	51353		35			
513	51354		40			
514	51450	23	18*	141,2	142,0	73,8
514	51451		25			
514	51452		30			
514	51453		35			
514	51454		40			
515	51550	25	18*	153,2	154,0	79,8
515	51551		25			
515	51552		30			
515	51553		35			
515	51554		40			
516	51650	27	18*	165,2	166,8	85,8
516	51651		25			
516	51652		30			
516	51653		35			
516	51654		40			
517	51750	29	18*	177,2	178,5	91,8
517	51751		25			
517	51752		30			
517	51753		35			
517	51754		40			

\*Plain Bore

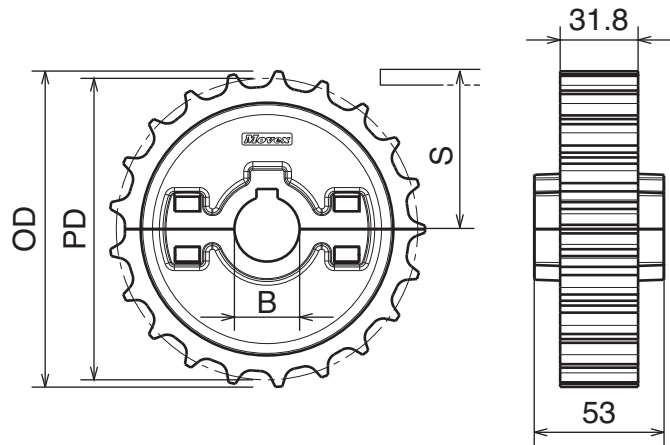
Materiale:	Material:	Materialien:
Poliammide rinforzato	Polyamide reinforced	Verstärktes Polyamid
Viti: Acciaio inox	Screws: Stainless steel	Schrauben: Edelstahl
Dadi: ottone nichelato	Nuts: nickel plated brass	Mutter: Messing vernickelt

Used for series  
881B and 881TAB

Ruota traino divisa, stampata / Split drive sprocket, molded / geteiltes Antriebskettenrad, gespritzt



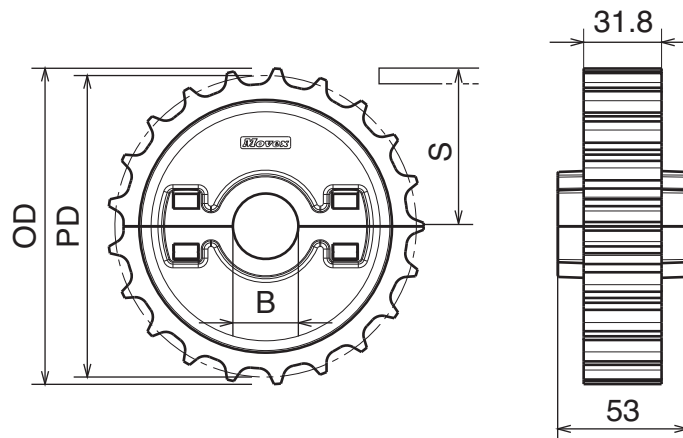
Part	Article-Nr.	Z-	Bore	PD	OD	S
518	51801	21	25	129,3	129,0	67,8
518	51802		30			
518	51803		35			
518	51804		40			
519	51901	23	25	141,2	142,0	73,8
519	51902		30			
519	51903		35			
519	51904		40			
520	52001	25	25	153,2	154,0	79,8
520	52002		30			
520	52003		35			
520	52004		40			



Ruota rinvio divisa, stampata / Split idler sprocket, molded / geteiltes Umlenkrad, gespritzt



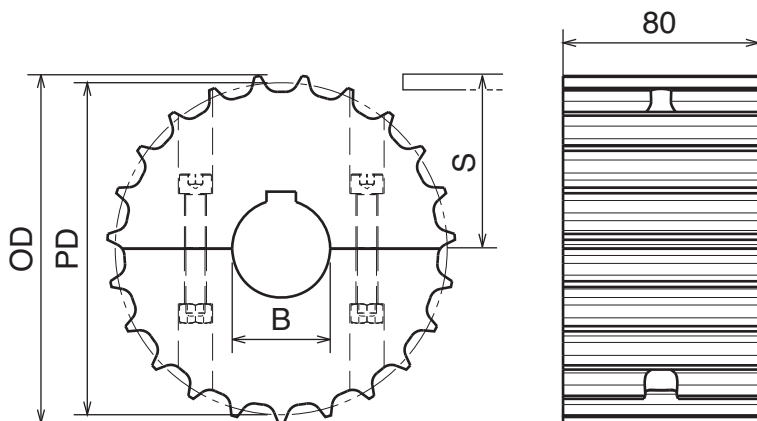
Part	Article-Nr.	Z-	Bore	PD	OD	S
518	51851	21	25	129,3	129,0	67,8
518	51852		30			
518	51853		35			
518	51854		40			
519	51951	23	25	141,2	142,0	73,8
519	51952		30			
519	51953		35			
519	51954		40			
520	52051	25	25	153,2	154,0	79,8
520	52052		30			
520	52053		35			
520	52054		40			



Materiale:	Material:	Materialien:
Poliammide	Polyamide	Polyamid
Viti: Acciaio inox	Screws: Stainless steel	Schrauben: Edelstahl
Dadi: ferro zincato	Nuts: zinc plated steel	Mutter: verzinkter Stahl



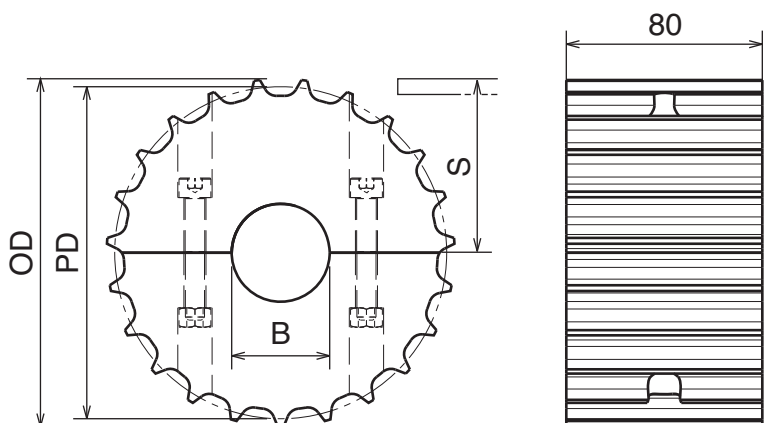
Ruota traino divisa, fresata / Split drive sprocket, machined / geteiltes Antriebskettenrad, gefräst



Part	Article-Nr.	Z-	Bore	PD	OD	S
521	52101	17	25	105,5	103,9	55,9
521	52102		30			
521	52103		35			
521	52104		40			
522	52201	19	25	117,3	117,0	61,9
522	52202		30			
522	52203		35			
522	52204		40			
523	52301	21	25	129,3	129,0	67,8
523	52302		30			
523	52303		35			
523	52304		40			
524	52401	23	25	141,2	142,0	73,8
524	52402		30			
524	52403		35			
524	52404		40			
525	52501	25	25	153,2	154,0	79,8
525	52502		30			
525	52503		35			
525	52504		40			
526	52601	27	25	165,2	166,8	85,8
526	52602		30			
526	52603		35			
526	52604		40			
527	52701	29	25	177,2	178,5	91,8
527	52702		30			
527	52703		35			
527	52704		40			



Ruota rinvio divisa, fresata / Split idler sprocket, machined / geteiltes Umlenkrad, gefräst



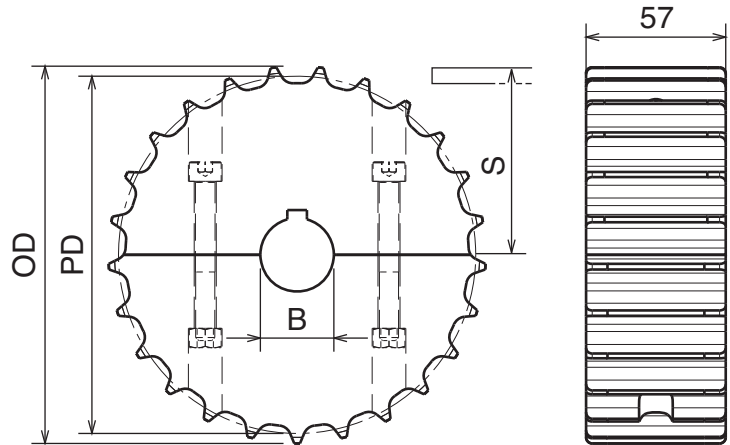
Part	Article-Nr.	Z-	Bore	PD	OD	S
521	52150	17	18*	105,5	103,9	55,9
521	52151		25			
521	52152		30			
521	52153		35			
521	52154		40			
522	52250	19	18*	117,3	117,0	61,9
522	52251		25			
522	52252		30			
522	52253		35			
522	52254		40			
523	52350	21	18*	129,3	129,0	67,8
523	52351		25			
523	52352		30			
523	52353		35			
523	52354		40			
524	52450	23	18*	141,2	142,0	73,8
524	52451		25			
524	52452		30			
524	52453		35			
524	52454		40			
525	52550	25	18*	153,2	154,0	79,8
525	52551		25			
525	52552		30			
525	52553		35			
525	52554		40			
526	52650	27	18*	165,2	166,8	85,8
526	52651		25			
526	52652		30			
526	52653		35			
526	52654		40			
527	52750	29	18*	177,2	178,5	91,8
527	52751		25			
527	52752		30			
527	52753		35			
527	52754		40			

\*Plain Bore

Materiale:	Material:	Materialien:
Poliammide	Polyamide	Polyamid
Viti: Acciaio inox	Screws: Stainless steel	Schrauben: Edelstahl
Dadi: ferro zincato	Nuts: zinc plated steel	Mutter: verzinkter Stahl

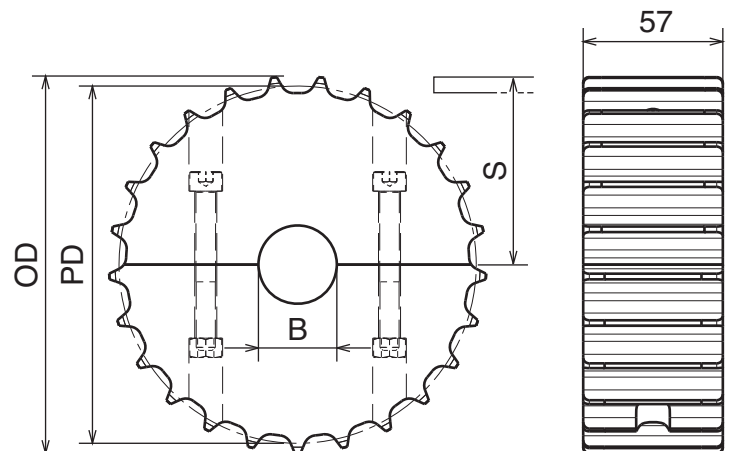
Ruota traino divisa, fresata / Split drive sprocket, machined / geteiltes Antriebskettenrad, gefräst

Part	Article-Nr.	Z-	Bore	PD	OD	S
528	52801	17	25	105,5	103,9	55,9
528	52802		30			
528	52803		35			
528	52804		40			
529	52901	19	25	117,3	117,0	61,9
529	52902		30			
529	52903		35			
529	52904		40			
530	53001	21	25	129,3	129,0	67,8
530	53002		30			
530	53003		35			
530	53004		40			
531	53101	23	25	141,2	142,0	73,8
531	53102		30			
531	53103		35			
531	53104		40			
532	53201	25	25	153,2	154,0	79,8
532	53202		30			
532	53203		35			
532	53204		40			
533	53301	27	25	165,2	166,8	85,8
533	53302		30			
533	53303		35			
533	53304		40			
534	53401	29	25	177,2	178,5	91,8
534	53402		30			
534	53403		35			
534	53404		40			



Ruota rinvio divisa, fresata / Split idler sprocket, machined / geteiltes Umlenkrad, gefräst

Part	Article-Nr.	Z-	Bore	PD	OD	S
528	52850	17	18*	105,5	103,9	55,9
528	52851		25			
528	52852		30			
528	52853		35			
528	52854		40			
529	52950	19	18*	117,3	117,0	61,9
529	52951		25			
529	52952		30			
529	52953		35			
529	52954		40			
530	53050	21	18*	129,3	129,0	67,8
530	53051		25			
530	53052		30			
530	53053		35			
530	53054		40			
531	53150	23	18*	141,2	142,0	73,8
531	53151		25			
531	53152		30			
531	53153		35			
531	53154		40			
532	53250	25	18*	153,2	154,0	79,8
532	53251		25			
532	53252		30			
532	53253		35			
532	53254		40			
533	53350	27	18*	165,2	166,8	85,8
533	53351		25			
533	53352		30			
533	53353		35			
533	53354		40			
534	53450	29	18*	177,2	178,5	91,8
534	53451		25			
534	53452		30			
534	53453		35			
534	53454		40			

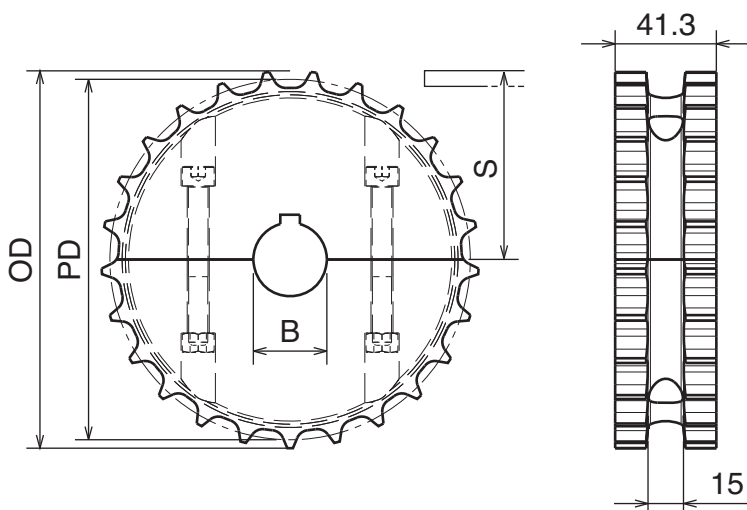


\*Plain Bore

Materiale:	Material:	Materialien:
Poliammide	Polyamide	Polyamid
Viti: Acciaio inox	Screws: Stainless steel	Schrauben: Edelstahl
Dadi: ferro zincato	Nuts: zinc plated steel	Mutter: verzinkter Stahl



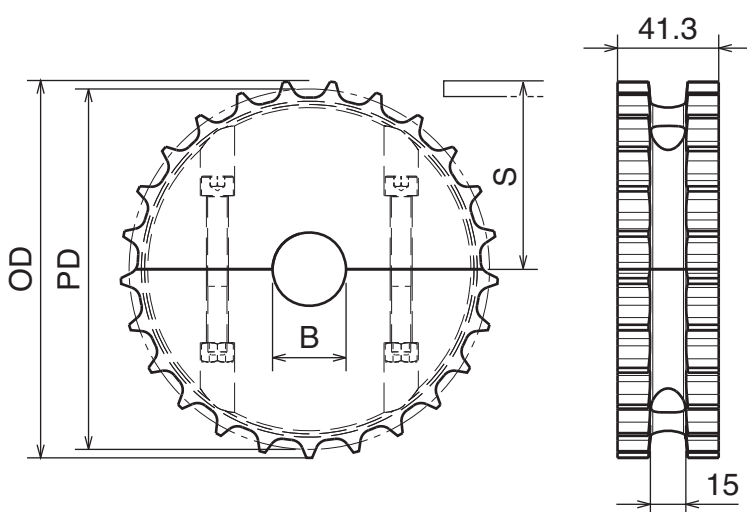
**Ruota traino divisa, fresata / Split drive sprocket, machined / geteiltes Antriebskettenrad, gefräst**



Part	Article-Nr.	Z-	Bore	PD	OD	S
535	53501	17	25	105,5	103,9	55,9
535	53502		30			
535	53503		35			
535	53504		40			
536	53601	19	25	117,3	117,0	61,9
536	53602		30			
536	53603		35			
536	53604		40			
537	53701	21	25	129,3	129,0	67,8
537	53702		30			
537	53703		35			
537	53704		40			
538	53801	23	25	141,2	142,0	73,8
538	53802		30			
538	53803		35			
538	53804		40			
539	53901	25	25	153,2	154,0	79,8
539	53902		30			
539	53903		35			
539	53904		40			
540	54001	27	25	165,2	166,8	85,8
540	54002		30			
540	54003		35			
540	54004		40			
541	54101	29	25	177,2	178,5	91,8
541	54102		30			
541	54103		35			
541	54104		40			



**Ruota rinvio divisa, fresata / Split idler sprocket, machined / geteiltes Umlenkrad, gefräst**



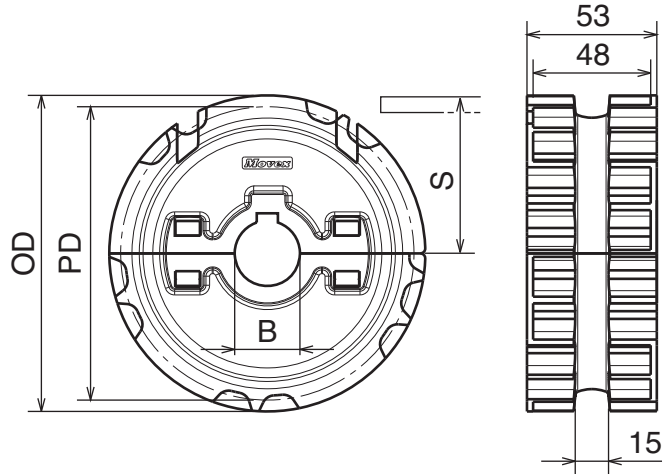
Part	Article-Nr.	Z-	Bore	PD	OD	S
535	53550	17	18*	105,5	103,9	55,9
535	53551		25			
535	53552		30			
535	53553		35			
535	53554		40			
536	53650	19	18*	117,3	117,0	61,9
536	53651		25			
536	53652		30			
536	53653		35			
536	53654		40			
537	53750	21	18*	129,3	129,0	67,8
537	53751		25			
537	53752		30			
537	53753		35			
537	53754		40			
538	53850	23	18*	141,2	142,0	73,8
538	53851		25			
538	53852		30			
538	53853		35			
538	53854		40			
539	53950	25	18*	153,2	154,0	79,8
539	53951		25			
539	53952		30			
539	53953		35			
539	53954		40			
540	54050	27	18*	165,2	166,8	85,8
540	54051		25			
540	54052		30			
540	54053		35			
540	54054		40			
541	54150	29	18*	177,2	178,5	91,8
541	54151		25			
541	54152		30			
541	54153		35			
541	54154		40			

\*Plain Bore

Materiale:	Material:	Materialien:
Poliamide rinforzato	Polyamide reinforced	Verstärktes Polyamid
Viti: Acciaio inox	Screws: Stainless steel	Schrauben: Edelstahl
Dadi: ottone nichelato	Nuts: nickel plated brass	Mutter: Messing vernickelt

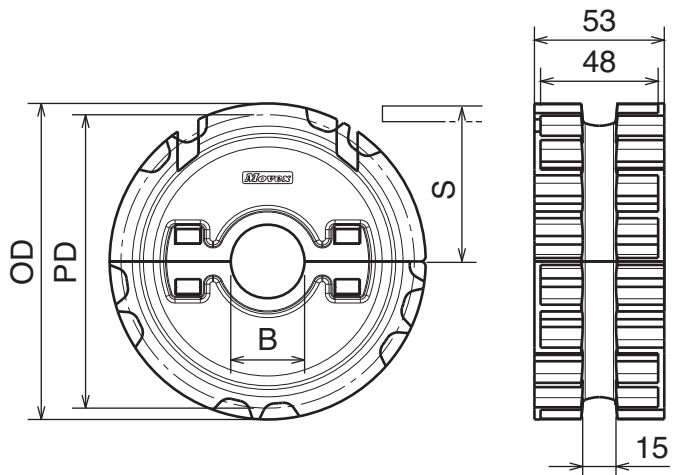
### Ruota traino divisa, stampata / Split drive sprocket, molded / geteiltes Antriebskettenrad, gespritzt

Part	Article-Nr.	Z-	Bore	PD	OD	S
542	54201	21	25	129,3	129,0	67,8
542	54202		30			
542	54203		35			
542	54204		40			
543	54301	23	25	141,2	142,0	73,8
543	54302		30			
543	54303		35			
543	54304		40			
544	54401	25	25	153,2	154,0	79,8
544	54402		30			
544	54403		35			
544	54404		40			

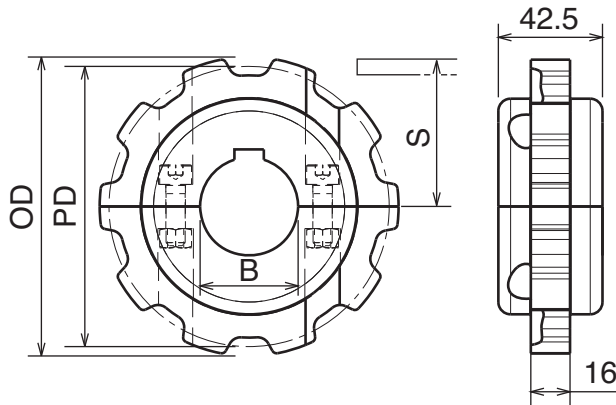


### Ruota rinvio divisa, stampata / Split idler sprocket, molded / geteiltes Umlenkrad, gespritzt

Part	Article-Nr.	Z-	Bore	PD	OD	S
542	54251	21	25	129,3	129,0	67,8
542	54252		30			
542	54253		35			
542	54254		40			
543	54351	23	25	141,2	142,0	73,8
543	54352		30			
543	54353		35			
543	54354		40			
544	54451	25	25	153,2	154,0	79,8
544	54452		30			
544	54453		35			
544	54454		40			



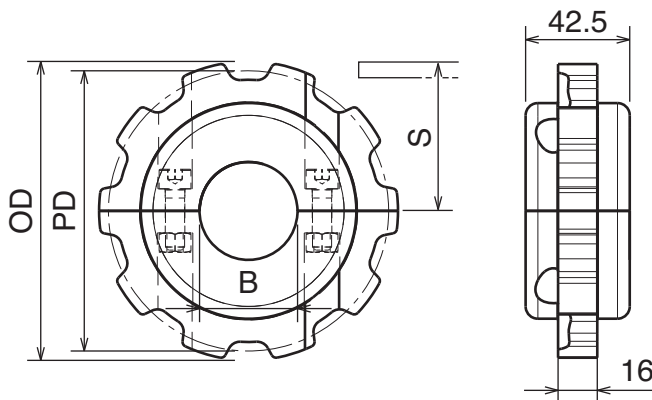
**Also suitable for series**  
**828 - 878 - 879M - 879TAB**



**Ruota traino divisa, fresata / Split drive sprocket, machined / geteiltes Antriebskettenrad, gefräst**

Materiale:	Material:	Materialien:
Poliammide	Polyamide	Polyamid
Viti: Acciaio inox	Screws: Stainless steel	Schrauben: Edelstahl
Dadi: ferro zincato	Nuts: zinc plated steel	Mutter: verzinkter Stahl

Part	Article-Nr.	Z-	Bore	PD	OD	S
545	54501	9	25	111,4	110,0	59,3
545	54502		30			
545	54503		35			
545	54504		40			
546	54601	10	25	123,3	122,0	65,25
546	54602		30			
546	54603		35			
546	54604		40			
547	54701	11	25	135,2	135,0	71,2
547	54702		30			
547	54703		35			
547	54704		40			
548	54801	12	25	147,2	147,3	77,2
548	54802		30			
548	54803		35			
548	54804		40			



**Ruota rinvio divisa, fresata / Split idler sprocket, machined / geteiltes Umlenkrad, gefräst**

Part	Article-Nr.	Z-	Bore	PD	OD	S
545	54550	9	18*	111,4	110,0	59,3
545	54551		25			
545	54552		30			
545	54553		35			
545	54554		40			
546	54650	10	18*	123,3	122,0	65,25
546	54651		25			
546	54652		30			
546	54653		35			
546	54654		40			
547	54750	11	18*	135,2	135,0	71,2
547	54751		25			
547	54752		30			
547	54753		35			
547	54754		40			
548	54850	12	18*	147,2	147,3	77,2
548	54851		25			
548	54852		30			
548	54853		35			
548	54854		40			

\*Plain Bore



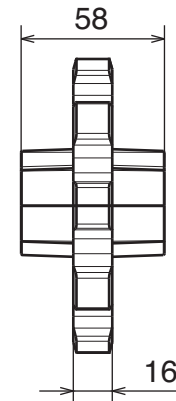
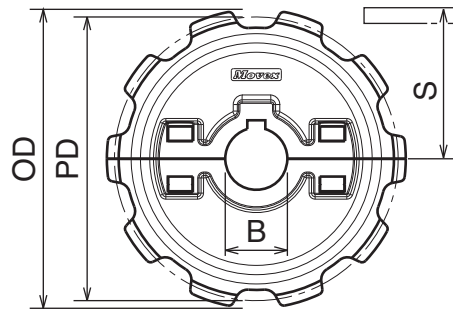
Materiale:	Material:	Materialien:
Poliamide rinforzato	Polyamide reinforced	Verstärktes Polyamid
Viti: Acciaio inox	Screws: Stainless steel	Schrauben: Edelstahl
Dadi: ottone nichelato	Nuts: nickel plated brass	Mutter: Messing vernickelt

Also suitable for series  
828 - 878 - 879M - 879TAB

**Ruota traino divisa, stampata / Split drive sprocket, molded / geteiltes Antriebskettenrad, gespritzt**



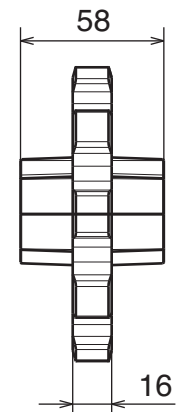
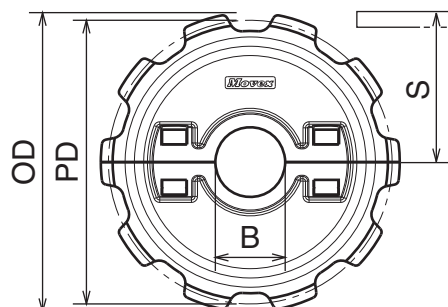
Part	Article-Nr.	Z-	Bore	PD	OD	S
549	54901	10	25	123,2	122,0	65,25
549	54902		30			
549	54903		35			
549	54904		40			
550	55001	12	25	147,2	147,3	77,2
550	55002		30			
550	55003		35			
550	55004		40			



**Ruota rinvio divisa, stampata / Split idler sprocket, molded / geteiltes Umlenkrad, gespritzt**



Part	Article-Nr.	Z-	Bore	PD	OD	S
549	54951	10	25	123,2	122,0	65,25
549	54952		30			
549	54953		35			
549	54954		40			
550	55051	12	25	147,2	147,3	77,2
550	55052		30			
550	55053		35			
550	55054		40			

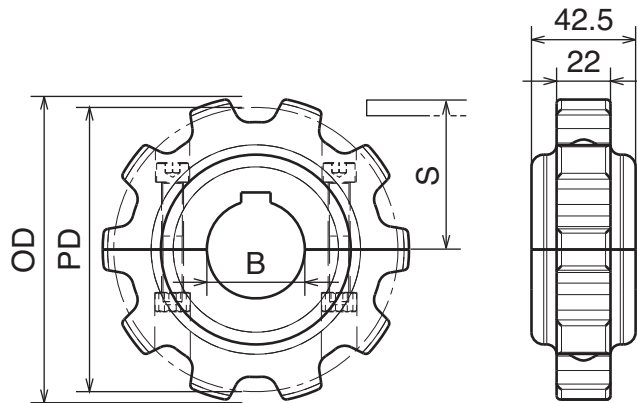


**Also suitable for series 8257**

Materiale:	Material:	Materialien:
Poliammide	Polyamide	Polyamid
Viti: Acciaio inox	Screws: Stainless steel	Schrauben: Edelstahl
Dadi: ferro zincato	Nuts: zinc plated steel	Mutter: verzinkter Stahl



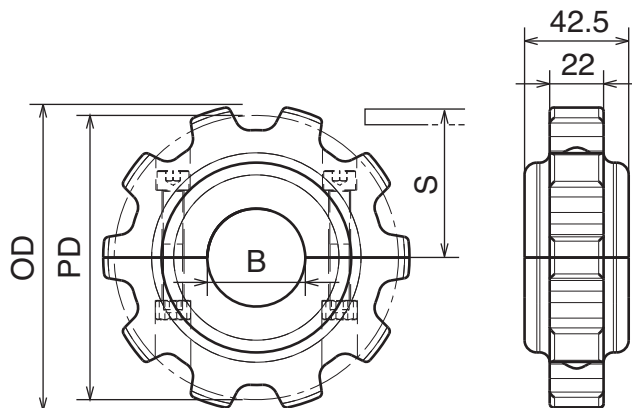
**Ruota traino divisa, fresata / Split drive sprocket, machined / geteiltes Antriebskettenrad, gefräst**



Part	Article-Nr.	Z-	Bore	PD	OD	S
551	55101	9	25	111,4	112,0	60,5
551	55102		30			
551	55103		35			
551	55104		40			
552	55201	10	25	123,2	125,0	66,4
552	55202		30			
552	55203		35			
552	55204		40			
553	55301	11	25	135,2	137,0	72,4
553	55302		30			
553	55303		35			
553	55304		40			
554	55401	12	25	147,2	149,0	78,4
554	55402		30			
554	55403		35			
554	55404		40			



**Ruota rinvio divisa, fresata / Split idler sprocket, machined / geteiltes Umlenkrad, gefräst**



Part	Article-Nr.	Z-	Bore	PD	OD	S
551	55150	9	18*	111,4	112,0	60,5
551	55151		25			
551	55152		30			
551	55153		35			
551	55154		40			
552	55250	10	18*	123,2	125,0	66,4
552	55251		25			
552	55252		30			
552	55253		35			
552	55254		40			
553	55350	11	18*	135,2	137,0	72,4
553	55351		25			
553	55352		30			
553	55353		35			
553	55354		40			
554	55450	12	18*	147,2	149,0	78,4
554	55451		25			
554	55452		30			
554	55453		35			
554	55454		40			

\*Plain Bore

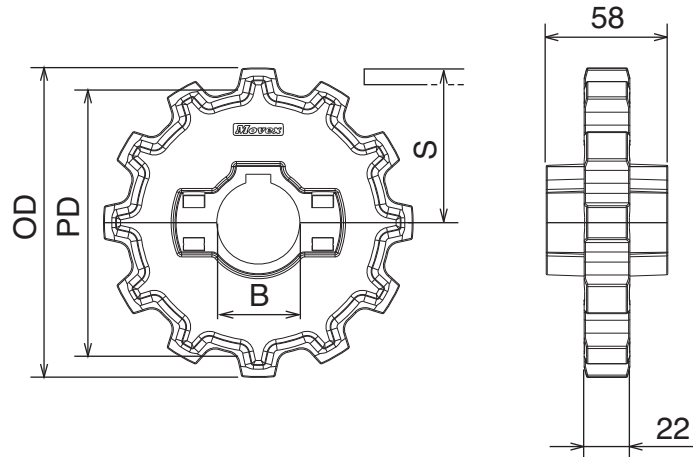
Materiale:	Material:	Materialien:
Poliamide rinforzato	Polyamide reinforced	Verstärktes Polyamid
Viti: Acciaio inox	Screws: Stainless steel	Schrauben: Edelstahl
Dadi: ottone nichelato	Nuts: nickel plated brass	Mutter: messing vernickelt

Also suitable for series  
8257

**Ruota traino divisa, stampata / Split drive sprocket, molded / geteiltes Antriebskettenrad, gespritzt**



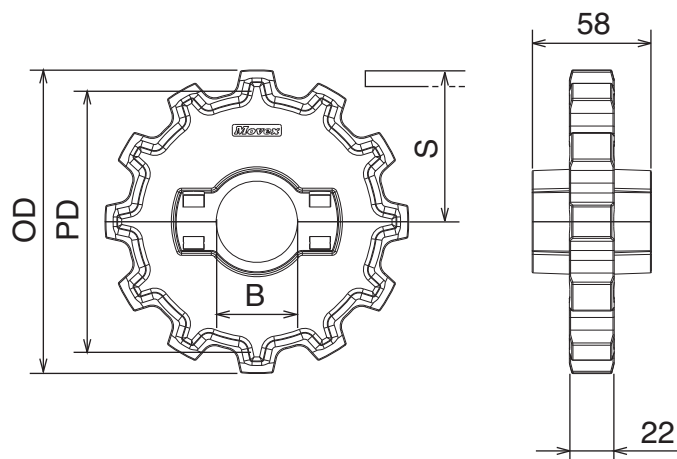
Part	Article-Nr.	Z-	Bore	PD	OD	S
555	55501	10	25	123,2	125,0	66,4
555	55502		30			
555	55503		35			
555	55504		40			
556	55601	12	25	147,2	149,0	78,4
556	55602		30			
556	55603		35			
556	55604		40			



**Ruota rinvio divisa, stampata / Split idler sprocket, molded / geteiltes Umlenkrad, gespritzt**



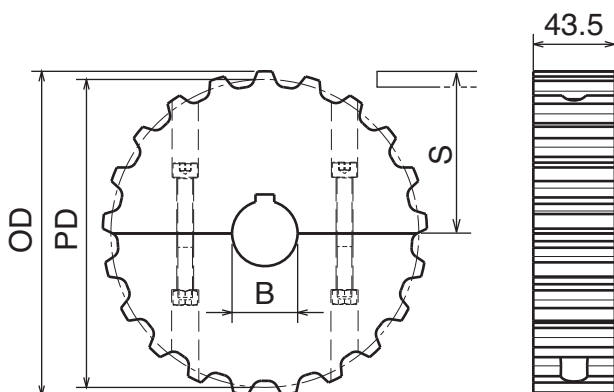
Part	Article-Nr.	Z-	Bore	PD	OD	S
555	55551	10	25	123,2	125,0	66,4
555	55552		30			
555	55553		35			
555	55554		40			
556	55651	12	25	147,2	149,0	78,4
556	55652		30			
556	55653		35			
556	55654		40			



Materiale:	Material:	Materialien:
Poliammide	Polyamide	Polyamid
Viti: Acciaio inox	Screws: Stainless steel	Schrauben: Edelstahl
Dadi: ferro zincato	Nuts: zinc plated steel	Mutter: verzinkter Stahl



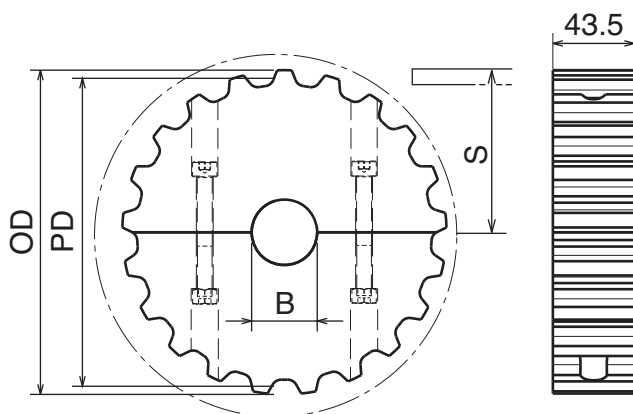
**Ruota traino divisa, fresata / Split drive sprocket, machined / geteiltes Antriebskettenrad, gefräst**



Part	Article-Nr.	Z-	Bore	PD	OD	S
557	55701	13	25	108,0	106,1	57,2
557	55702		30			
557	55703		35			
557	55704		40			
558	55801	15	25	124,0	122,2	65,2
558	55802		30			
558	55803		35			
558	55804		40			
559	55901	17	25	138,2	138,2	72,3
559	55902		30			
559	55903		35			
559	55904		40			
560	56001	18	25	146,3	146,4	76,4
560	56002		30			
560	56003		35			
560	56004		40			
561	56101	19	25	154,3	155,7	80,4
561	56102		30			
561	56103		35			
561	56104		40			
562	56201	21	25	170,4	173,0	88,4
562	56202		30			
562	56203		35			
562	56204		40			
563	56301	23	25	186,5	190,0	96,5
563	56302		30			
563	56303		35			
563	56304		40			
564	56401	25	25	202,7	204,0	104,6
564	56402		30			
564	56403		35			
564	56404		40			



**Ruota rinvio divisa, fresata / Split idler sprocket, machined / geteiltes Umlenkrad, gefräst**



Part	Article-Nr.	Z-	Bore	PD	OD	S
557	55750	13	18*	108,0	106,1	57,2
557	55751		25			
557	55752		30			
557	55753		35			
557	55754		40			
558	55850	15	18*	124,0	122,2	65,2
558	55851		25			
558	55852		30			
558	55853		35			
558	55854		40			
559	55950	17	18*	138,2	138,2	72,3
559	55951		25			
559	55952		30			
559	55953		35			
559	55954		40			
560	56050	18	18*	146,3	146,4	76,4
560	56051		25			
560	56052		30			
560	56053		35			
560	56054		40			
561	56150	19	18*	154,3	155,7	80,4
561	56151		25			
561	56152		30			
561	56153		35			
561	56154		40			
562	56250	21	18*	170,4	173,0	88,4
562	56251		25			
562	56252		30			
562	56253		35			
562	56254		40			
563	56350	23	18*	186,5	190,0	96,5
563	56351		25			
563	56352		30			
563	56353		35			
563	56354		40			
564	56450	25	18*	202,7	204,0	104,6
564	56451		25			
564	56452		30			
564	56453		35			
564	56454		40			

\*Plain Bore

Materiale:	Material:	Materialien:
Poliammide	Polyamide	Polyamid
Viti: Acciaio inox	Screws: Stainless steel	Schrauben: Edelstahl
Dadi: ferro zincato	Nuts: zinc plated steel	Mutter: verzinkter Stahl
Flange: Acciaio inox	Guides: Stainless steel	Bordscheibe: Edelstahl

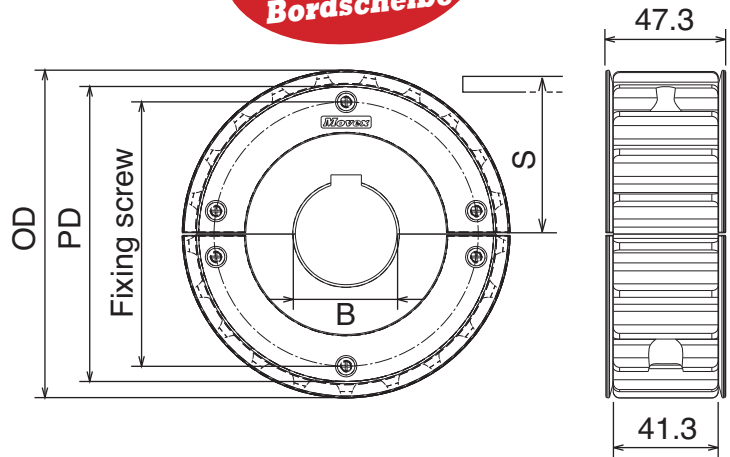
## 815

Ruota flangiata divisa, fresata / Split sprocket with guides, machined / Geteiltes Kettenrad mit Bordscheibe, gefräst

Part	Article-Nr.	Z-	Bore	PD	OD	S	Ø screw
503	50301G	21	25	129,3	129,0	67,8	104,0
503	50302G		30				
503	50303G		35				
503	50304G		40				
504	50401G	23	25	141,2	142,0	73,8	116,0
504	50402G		30				
504	50403G		35				
504	50404G		40				
505	50501G	25	25	153,2	154,0	79,8	128,0
505	50502G		30				
505	50503G		35				
505	50504G		40				



Anelli Inox  
SS rings  
Edelstahl  
Bordscheibe



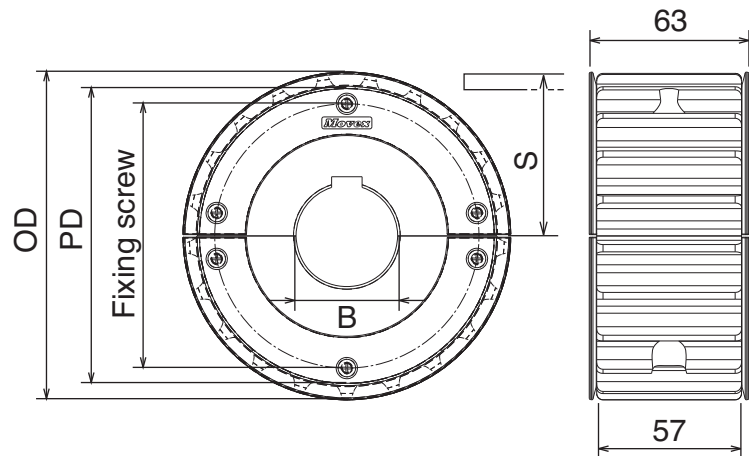
## 8157

Ruota flangiata divisa, fresata / Split sprocket with guides, machined / Geteiltes Kettenrad mit Bordscheibe, gefräst

Part	Article-Nr.	Z-	Bore	PD	OD	S	Ø screw
530	53001G	21	25	129,3	129,0	67,8	104,0
530	53002G		30				
530	53003G		35				
530	53004G		40				
531	53101G	23	25	141,2	142,0	73,8	116,0
531	53102G		30				
531	53103G		35				
531	53104G		40				
532	53201G	25	25	153,2	154,0	79,8	128,0
532	53202G		30				
532	53203G		35				
532	53204G		40				



Anelli Inox  
SS rings  
Edelstahl  
Bordscheibe

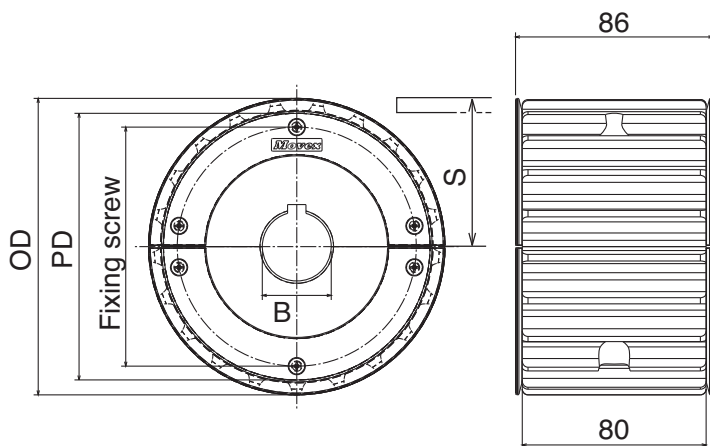


# 805-820

Ruote Flangiate  
Sprocket with guide  
Kettenrad mit Bordscheibe



**Anelli Inox  
SS rings  
Edelstahl  
Bordscheibe**



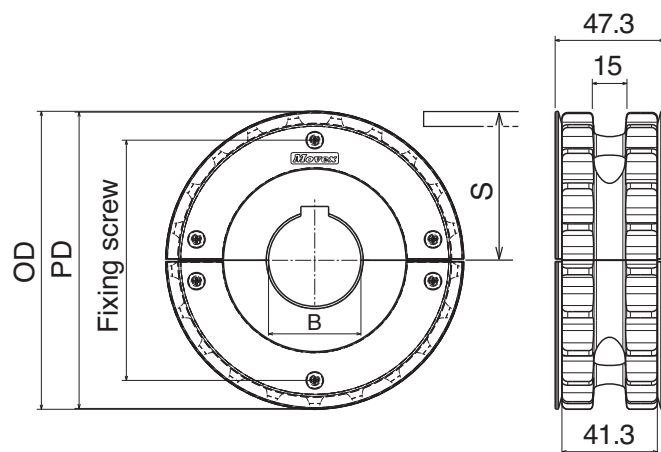
## 805

Ruota flangiata divisa, fresata / Split sprocket with guides, machined / Geteiltes Kettenrad mit Bordscheibe, gefräst

Part	Article-Nr.	Z-	Bore	PD	OD	S	Ø screw
523	52301G	21	25	129,3	129,0	67,8	104,0
523	52302G		30				
523	52303G		35				
523	52304G		40				
524	52401G	23	25	141,2	142,0	73,8	116,0
524	52402G		30				
524	52403G		35				
524	52404G		40				
525	52501G	25	25	153,2	154,0	79,8	128,0
525	52502G		30				
525	52503G		35				
525	52504G		40				



**Anelli Inox  
SS rings  
Edelstahl  
Bordscheibe**



## 820

Ruota flangiata divisa, fresata / Split sprocket with guides, machined / Geteiltes Kettenrad mit Bordscheibe, gefräst

Part	Article-Nr.	Z-	Bore	PD	OD	S	Ø screw
537	53701G	21	25	129,3	129,0	67,8	104,0
537	53702G		30				
537	53703G		35				
537	53704G		40				
538	53801G	23	25	141,2	142,0	73,8	116,0
538	53802G		30				
538	53803G		35				
538	53804G		40				
539	53901G	25	25	153,2	154,0	79,8	128,0
539	53902G		30				
539	53903G		35				
539	53904G		40				

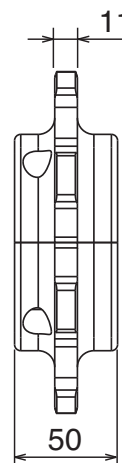
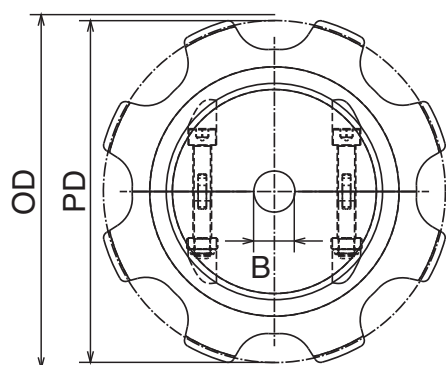
Materiale:	Material:	Materialien:
Poliammide	Polyamide	Polyamid
Viti: Acciaio inox	Screws: Stainless steel	Schrauben: Edelstahl
Dadi: ferro zincato	Nuts: zinc plated steel	Mutter: verzinkter Stahl

## CC600

Ruota rinvio divisa, fresata / Split idler sprocket, machined / geteiltes Umlenkrad, gefräst

Part	Article-Nr.	Z-	Bore	PD	OD
565	56550	8	20	172,0	166,0
566	56650	10	20	215,0	205,0
567	56750	12	20	256,0	246,0
568	56850	14	20	297,0	286,0

For adequate quantities these sprockets can be delivered with finished bore.



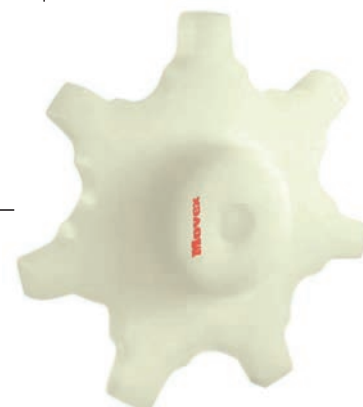
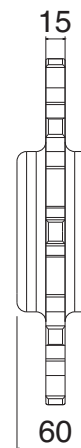
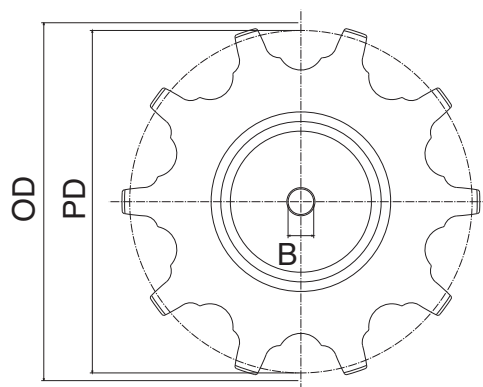
**New**

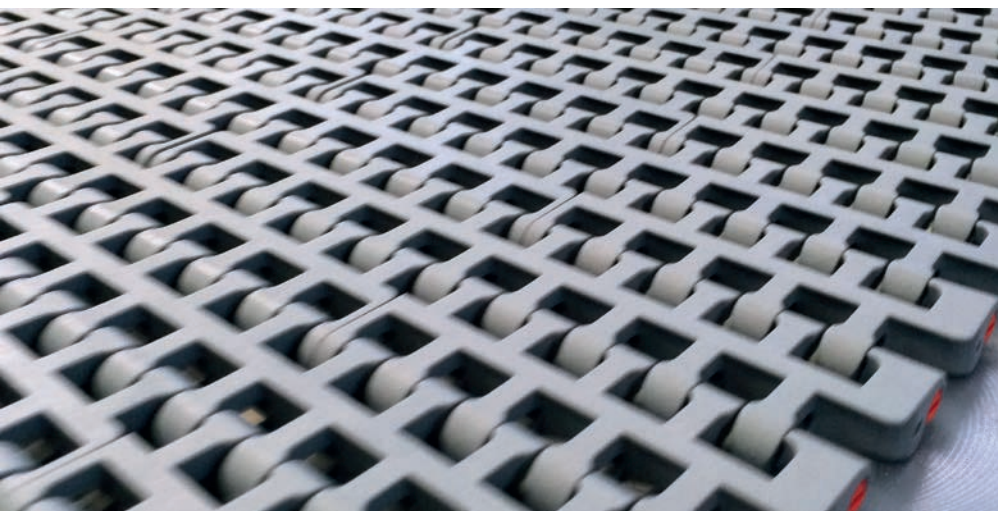
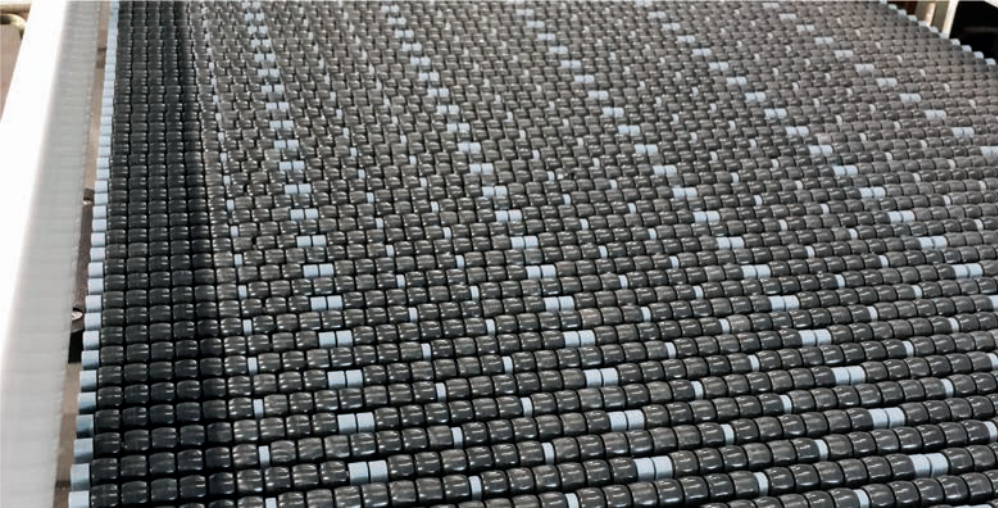
## CC1400

Ruota rinvio divisa, fresata / Split idler sprocket, machined / geteiltes Umlenkrad, gefräst

Part	Article-Nr.	Z-	Bore	PD	OD
570	57050E	7	20	190	202
571	57150E	8	20	218	227,6
572	57250E	10	20	267	279

For adequate quantities these sprockets can be delivered with finished bore.







# chains idler wheels

 <p>815 pag. 72</p>	 <p>815 pag. 72</p>	 <p>805 pag. 73</p>
 <p>821 pag. 73</p>	 <p>881 TAB pag. 74</p>	 <p>882 M pag. 74</p>



# 815

Ruote Rinvio Fresate/Stampate  
Machined Idler Wheels/Molded Idler Wheels  
Gefräste/Gespritzte Umlenkrolle

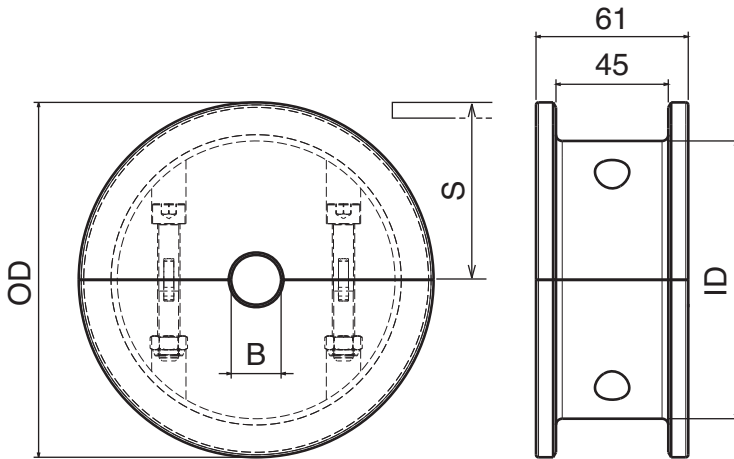


Also suitable for series  
881M - 820 - 831 - 828  
879M - 880/880M

Materiale:	Material:	Materialien:
Poliammide	Polyamide	Polyamid
Viti: Acciaio inox	Screws: Stainless steel	Schrauben: Edelstahl
Dadi: ferro zincato per fresate	Nuts: zinc plated steel for machined	Mutter: verzinkter Stahl für gefräste Version
Dadi: ottone nichelato per stampate	Nuts: nickel plated brass for molded	Mutter: Messing vernickelt für gespritzt Version

815

Ruota rinvio liscia, divisa, fresata / Split idler wheel, machined / geteilte Umlenkrolle, gefräst

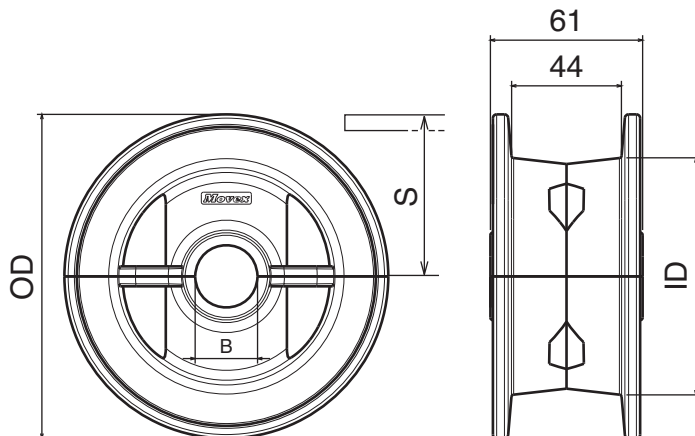


Part	Article-Nr.	ecq.	Z-	Bore	OD	ID	S
601	60100	17	20	104,0	75,2	56,2	
601	60101		25				
601	60102		30				
601	60103		35				
601	60104		40				
602	60200	19	20	117,0	92,2	62,6	
602	60201		25				
602	60202		30				
602	60203		35				
602	60204		40				
603	60300	21	20	129,8	105,0	68,6	
603	60301		25				
603	60302		30				
603	60303		35				
603	60304		40				
604	60400	23	20	142,2	111,3	74,6	
604	60401		25				
604	60402		30				
604	60403		35				
604	60404		40				
605	60500	25	20	154,7	124,7	80,5	
605	60501		25				
605	60502		30				
605	60503		35				
605	60504		40				
606	60600	27	20	167,2	135,0	88,5	
606	60601		25				
606	60602		30				
606	60603		35				
606	60604		40				
607	60700	29	20	179,3	140,0	92,8	
607	60701		25				
607	60702		30				
607	60703		35				
607	60704		40				



815

Ruota rinvio liscia, divisa, stampata / Split idler wheel, molded / geteilte Umlenkrolle, gespritzt



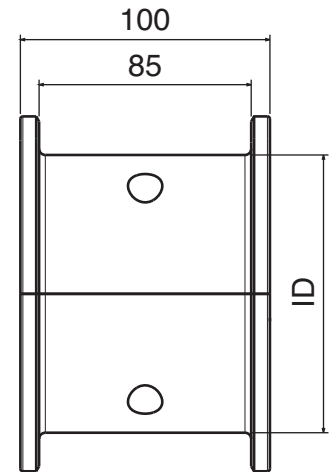
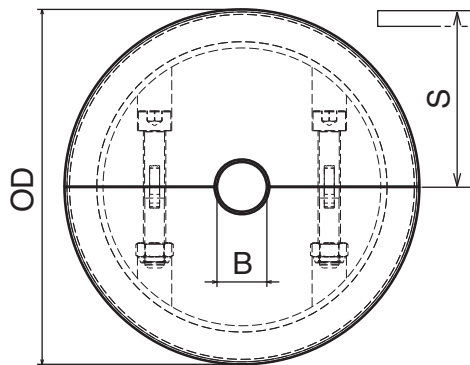
Part	Article-Nr.	ecq.	Z-	Bore	OD	ID	S
608	60801	21	25	129,8	94,8	68,6	
608	60802		30				
608	60803		35				
608	60804		40				
609	60901	23	25	142,2	99,3	74,6	
609	60902		30				
609	60903		35				
609	60904		40				
610	61001	25	25	154,7	102,0	80,5	
610	61002		30				
610	61003		35				
610	61004		40				

Materiale:	Material:	Materialien:
Poliammide	Polyamide	Polyamid
Viti: Acciaio inox	Screws: Stainless steel	Schrauben: Edelstahl
Dadi: ferro zincato	Nuts: zinc plated steel	Mutter: verzinkter Stahl

## 805

Ruota rinvio liscia, divisa, fresata / Split idler wheel, machined / geteilte Umlenkrolle, gefräst

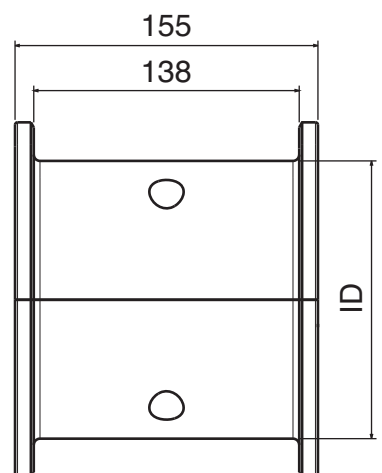
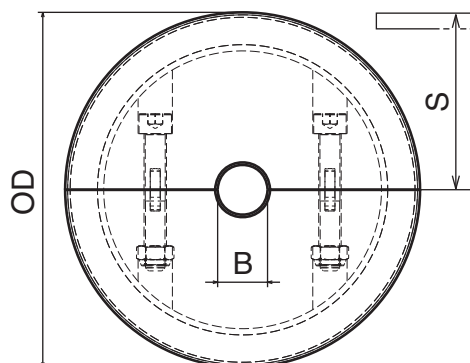
Part	Article-Nr.	ecq. Z-	Bore	OD	ID	S
611	61100	17	20	104,0	75,2	56,2
611	61101		25			
611	61102		30			
611	61103		35			
611	61104		40			
612	61200	19	20	117,0	92,2	62,6
612	61201		25			
612	61202		30			
612	61203		35			
612	61204		40			
613	61300	21	20	129,8	105,0	68,6
613	61301		25			
613	61302		30			
613	61303		35			
613	61304		40			
614	61400	23	20	142,2	111,3	74,6
614	61401		25			
614	61402		30			
614	61403		35			
614	61404		40			
615	61500	25	20	154,7	124,7	80,5
615	61501		25			
615	61502		30			
615	61503		35			
615	61504		40			
616	61600	27	20	167,2	135,0	88,5
616	61601		25			
616	61602		30			
616	61603		35			
616	61604		40			
617	61700	29	20	179,3	140,0	92,8
617	61701		25			
617	61702		30			
617	61703		35			
617	61704		40			



## 821

Ruota rinvio liscia, divisa, fresata / Split idler wheel, machined / geteilte Umlenkrolle, gefräst

Part	Article-Nr.	ecq. Z-	Bore	OD	ID	S
625	62500	19	20	117,0	92,2	62,6
625	62501		25			
625	62502		30			
625	62503		35			
625	62504		40			
626	62600	21	20	129,8	105,0	68,6
626	62601		25			
626	62602		30			
626	62603		35			
626	62604		40			
627	62700	23	20	142,2	111,3	74,6
627	62701		25			
627	62702		30			
627	62703		35			
627	62704		40			
628	62800	25	20	154,7	124,7	80,5
628	62801		25			
628	62802		30			
628	62803		35			
628	62804		40			



# 881TAB-882M

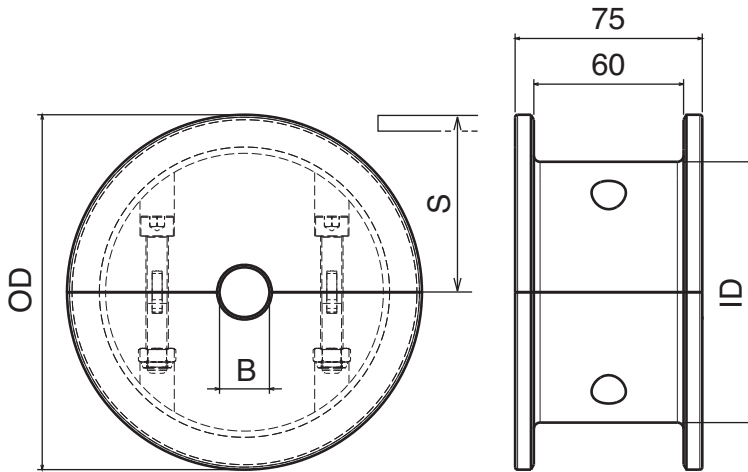
Ruote Rinvio Fresate  
Machined Idler Wheels  
Gefräste Umlenkrolle

Materiale:	Material:	Materialien:
Poliammide	Polyamide	Polyamid
Viti: Acciaio inox	Screws: Stainless steel	Schrauben: Edelstahl
Dadi: ferro zincato	Nuts: zinc plated steel	Mutter: verzinkter Stahl



## 881 TAB

Ruota rinvio liscia, divisa, fresata / Split idler wheel, machined / geteilte Umlenkrolle, gefräst



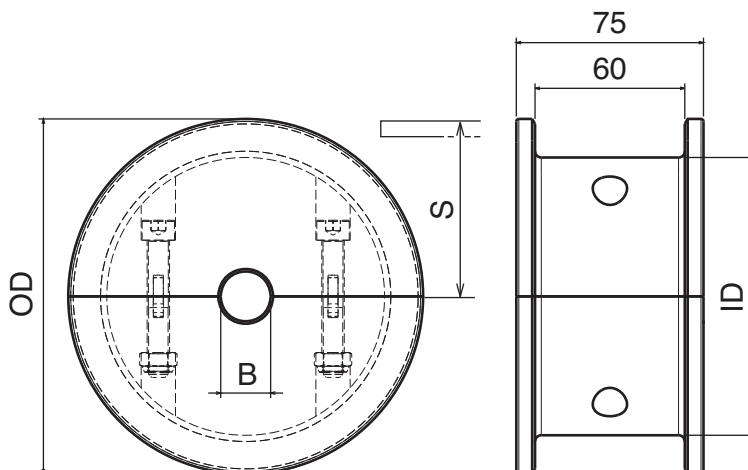
Part	Article-Nr.	ecq.	Z-	Bore	OD	ID	S
618	61800	17	20	104,0	66,0	56,2	
618	61801		25				
618	61802		30				
618	61803		35				
618	61804		40				
619	61900	19	20	117,0	75,0	62,6	
619	61901		25				
619	61902		30				
619	61903		35				
619	61904		40				
620	62000	21	20	129,8	95,0	68,6	
620	62001		25				
620	62002		30				
620	62003		35				
620	62004		40				
621	62100	23	20	142,2	108,0	74,6	
621	62101		25				
621	62102		30				
621	62103		35				
621	62104		40				
622	62200	25	20	154,7	112,0	80,5	
622	62201		25				
622	62202		30				
622	62203		35				
622	62204		40				
623	62300	27	20	167,2	120,0	88,5	
623	62301		25				
623	62302		30				
623	62303		35				
623	62304		40				
624	62400	29	20	179,3	130,0	92,8	
624	62401		25				
624	62402		30				
624	62403		35				
624	62404		40				



## 882 M

Ruota rinvio liscia, divisa, fresata / Split idler wheel, machined / geteilte Umlenkrolle, gefräst

Also suitable for series  
8257



Part	Article-Nr.	ecq.	Z-	Bore	OD	ID	S
629	62900	17	20	104,0	75,2	56,2	
629	62901		25				
629	62902		30				
629	62903		35				
629	62904		40				
630	63000	19	20	117,0	92,2	62,6	
630	63001		25				
630	63002		30				
630	63003		35				
630	63004		40				
631	63100	21	20	129,8	105,0	68,6	
631	63101		25				
631	63102		30				
631	63103		35				
631	63104		40				
632	63200	23	20	142,2	111,3	74,6	
632	63201		25				
632	63202		30				
632	63203		35				
632	63204		40				
633	63300	25	20	154,7	124,7	80,5	
633	63301		25				
633	63302		30				
633	63303		35				
633	63304		40				
634	63400	27	20	167,2	135,0	88,5	
634	63401		25				
634	63402		30				
634	63403		35				
634	63404		40				
635	63500	29	20	179,3	140,0	92,8	
635	63501		25				
635	63502		30				
635	63503		35				
635	63504		40				

# tab & magnetic corner tracks

## Curve

**Tipologia di curve** 1) Magnetiche - 2) Tab - 3) Bevel

**Caratteristiche delle curve magnetiche** La curva magnetica rappresenta il sistema più efficace ed affidabile per trasportatori con catene a cerniera. Le nostre curve magnetiche sono prodotte da lastre di UHMW-PE di elevata qualità con magneti permanenti alloggiati all'interno della lastra. I magneti mantengono la catena nella via tracciata in curva garantendo la planarità della superficie di trasporto della catena, migliorando la stabilità del prodotto trasportato.

**Vantaggi - Igiene:** La catena sulla via di scorrimento in curva può essere facilmente sollevata per consentire più facilmente pulizia e manutenzione. **Intercambiabilità:** Catene in plastica e in acciaio possono essere utilizzate sulle nostre curve semplificando progetto/realizzazione del trasportatore e consentendo di ridurre scorte di ricambi a magazzino. **Materiali:** La parte superiore delle nostre curve è ottenuta da UHMW-PE di elevata qualità che consente una più lunga durata di catene e delle stesse curve. **Attrito:** I magneti vengono accuratamente selezionati e posizionati per garantire il campo magnetico più idoneo al mantenimento della catena nella sede. Un campo magnetico troppo elevato aumenta l'attrito e riduce la durata di curva e catena.

## Corner Tracks

**Types of Corner Track** 1) Magnetic - 2) Tab - 3) Bevel

**Characteristics of Magnetic Corner Tracks** The magnetic corner track is the most effective and reliable system for the table top conveyor design. Our magnetic corner tracks are made of high quality UHMW-PE with permanent magnets embedded in the curve. The magnets hold the chain on the corner track and this provides a flat carrying surface for the chain; thus, improving product stability and support for the conveyor.

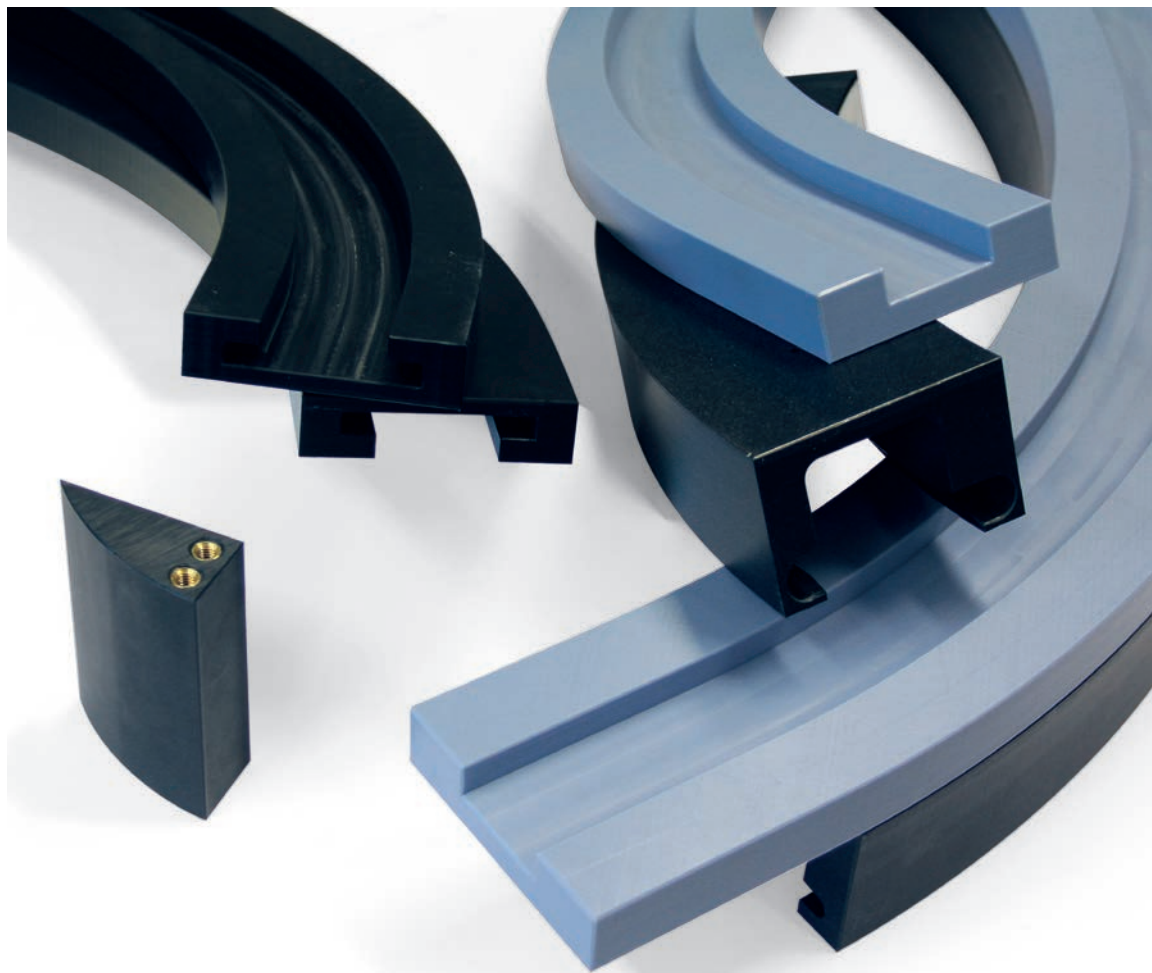
**Benefits - Hygiene:** Chains on the magnetic corner tracks can be easily lifted such that it is easier for cleaning and maintenance. **Interchangeable:** Plastic and SS chains can be used on the curve thus reducing inventory and simpler conveyor design. **Materials:** The upper track of the corner tracks uses high quality UHMW-PE which gives a longer wear life for both the chain and the curve. **Magnetic Force:** Magnets are carefully selected and positioned to provide the correct magnetic field which is just sufficient to keep the chain down. Too high magnetic force will increase the frictional force and reduces wear life of both chains and curve.

## Kurvenführungen

**Typen** 1) Magnet - 2) TAB - 3) Schwalbenschanz

**Charakteristik der Magnet-Kurvenführung** Die Magnet-Kurvenführung ist das effektivste und bewährteste System für Transporteure mit Scharnierbandketten. Unsere Magnetkurven sind aus hochwertigem UHMW-PE mit permanenten in die Führung eingebetteten Magneten ausgeführt. Die Magnete halten die Scharnierbandkette in der Führung und dies resultiert in einem ruhigen Lauf der Kette. Damit wird eine bessere Produktstabilität erreicht.

**Vorteile - Hygiene:** zur Reinigung können die Scharnierband-Ketten einfach, ohne großen Aufwand, aus der Führung herausgenommen werden. Dies erspart Zeit und Stillstandszeiten. **Flexibilität:** Kunststoff- als auch Edelstahl-Scharnierband-Ketten können mit dieser Kurvenführung verwendet werden, dies vereinfacht die Konstruktion des Transporteurs und reduziert die Lagerhaltung. **Materialien:** Das Oberteil der Magnetkurve ist aus hochwertigem UHMW-PE gefertigt und bietet eine längere Standzeit nicht nur für die Führung sondern auch für die Scharnierbandkette. **Magnetkraft:** Die Magnete sind so angeordnet, und ausgewählt, um ein homogenes und konstantes Magnetfeld zu erzeugen um ein ruhiges und ruckfreies Laufen der Kette zu gewährleisten.



## Curve Magnetiche Magnetic Curves Magnet Kurven

**Movex-RS**  
High Performance Tracks

**Movex** presenta la nuova curva magnetica **RS000** in grado di offrire sensibili miglioramenti in campo applicativo. Il nuovo prodotto è dotato di guide di scorrimento in **BluLub**, un materiale innovativo ad alte prestazioni, additivato con lubrificanti solidi e particolarmente indicato per applicazioni con limitate lubrificazioni o completamente a secco. Le curve magnetiche dotate di inserti in **BluLub** impiegano meno energia, riducono il PV-limite ed il basso coefficiente d'attrito aumenta la stabilità del prodotto nonché la vita operativa di catene e tappeti modulari. Le nuove curve **RS000** sono perfettamente intercambiabili con le versioni tradizionali a catalogo.

**Movex** introduces a new magnetic curve **RS000** in order to offer greater conveyor performance. The new product is equipped with wear-strips in **BluLub**, an innovative high-tech material with solid lubricants. **BluLub** contributes to improved PV-properties compared to standard UHMW-PE curves especially in applications with limited lubrication, higher speeds and/or higher loads. Curves **RS000** equipped with **BluLub** inserts, need less energy and with the lower coefficient of friction improve the product stability and wear-life of chains and belts. The new **RS000** curves are perfectly interchangeable with the traditional versions.

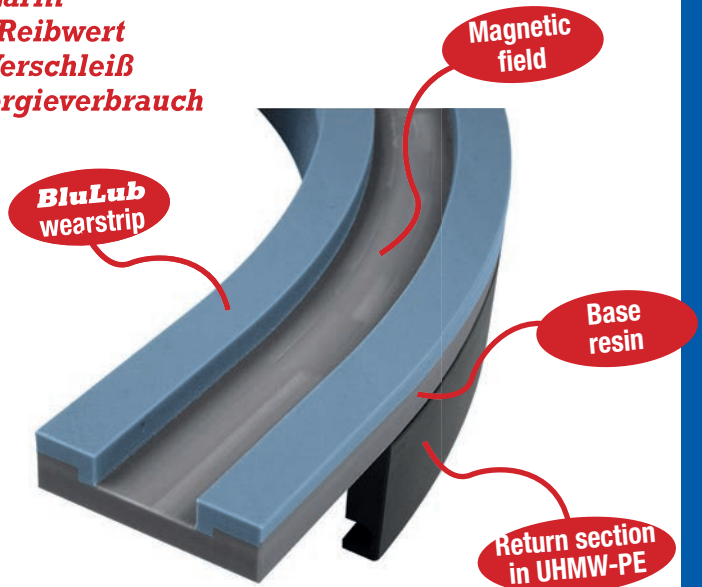
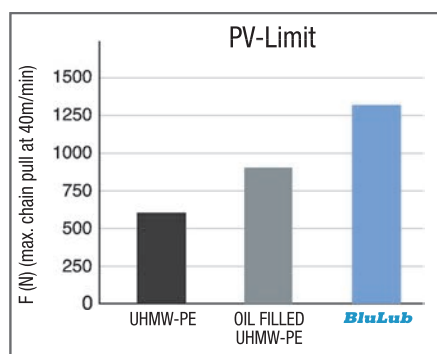
**Movex** präsentiert die neue Magnetkurve **RS000**. Diese bietet eine bessere Performance. Unser neues Produkt hat integrierte Leisten aus **BluLub**, ein innovatives Material für hohe Anforderungen. **BluLub** trägt im Vergleich zu Standard UHMWPE dazu bei, das PV-Limit zu verbessern. Besonders bei Anwendungen mit verminderter Schmierung, hohen Geschwindigkeiten und/oder hoher Belastung kann die Verwendung von **BluLub** Material eine Lösung sein. Ein weiterer Vorteil unserer Magnetkurven **RS000** ist die Verringerung des Energieverbrauchs durch Minimierung der Reibwerte gegenüber Standardkurven. Die extrem niedrigereibung erhöht die Stabilität des zu transportierenden Produktes und verlängert die Standzeit der Scharnierbandketten/Mattenketten. Unsere Magnetkurve **RS000** ist mit allen gängigen Standardkurven aus unserem Katalog kompatibel.

### Advantages:

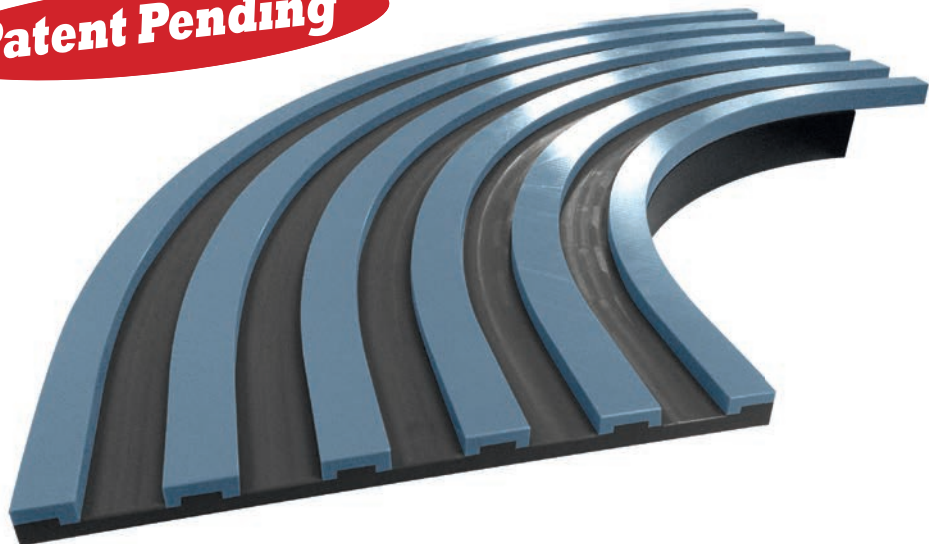
- **Less Noise**
- **Lower Friction**
- **Lower Wear**
- **Less Energy**

### Vorteile:

- **geringerer Lärm**
- **niedrigerer Reibwert**
- **geringerer Verschleiß**
- **weniger Energieverbrauch**


























**Patent Pending**



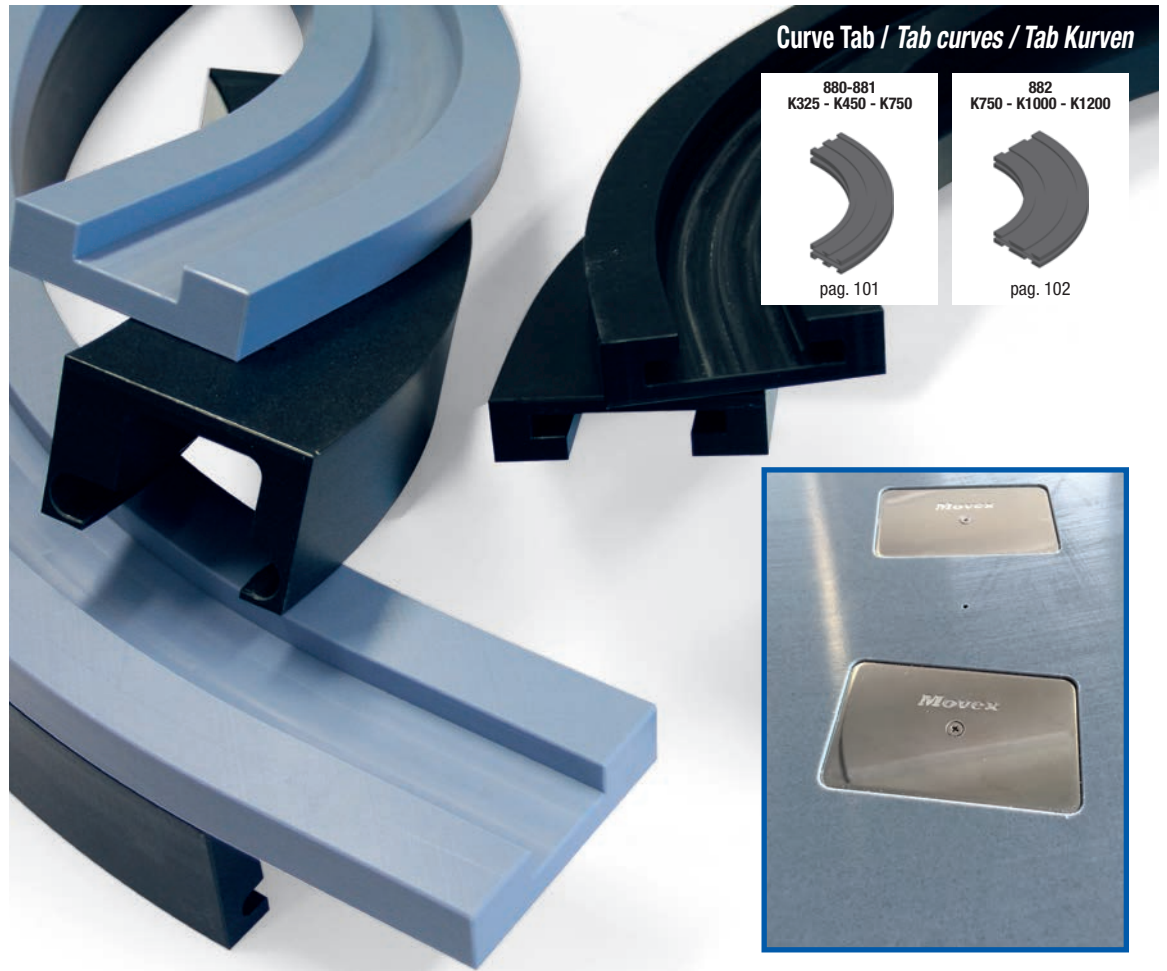
www.movexii.com

# tab & magnetic corner tracks

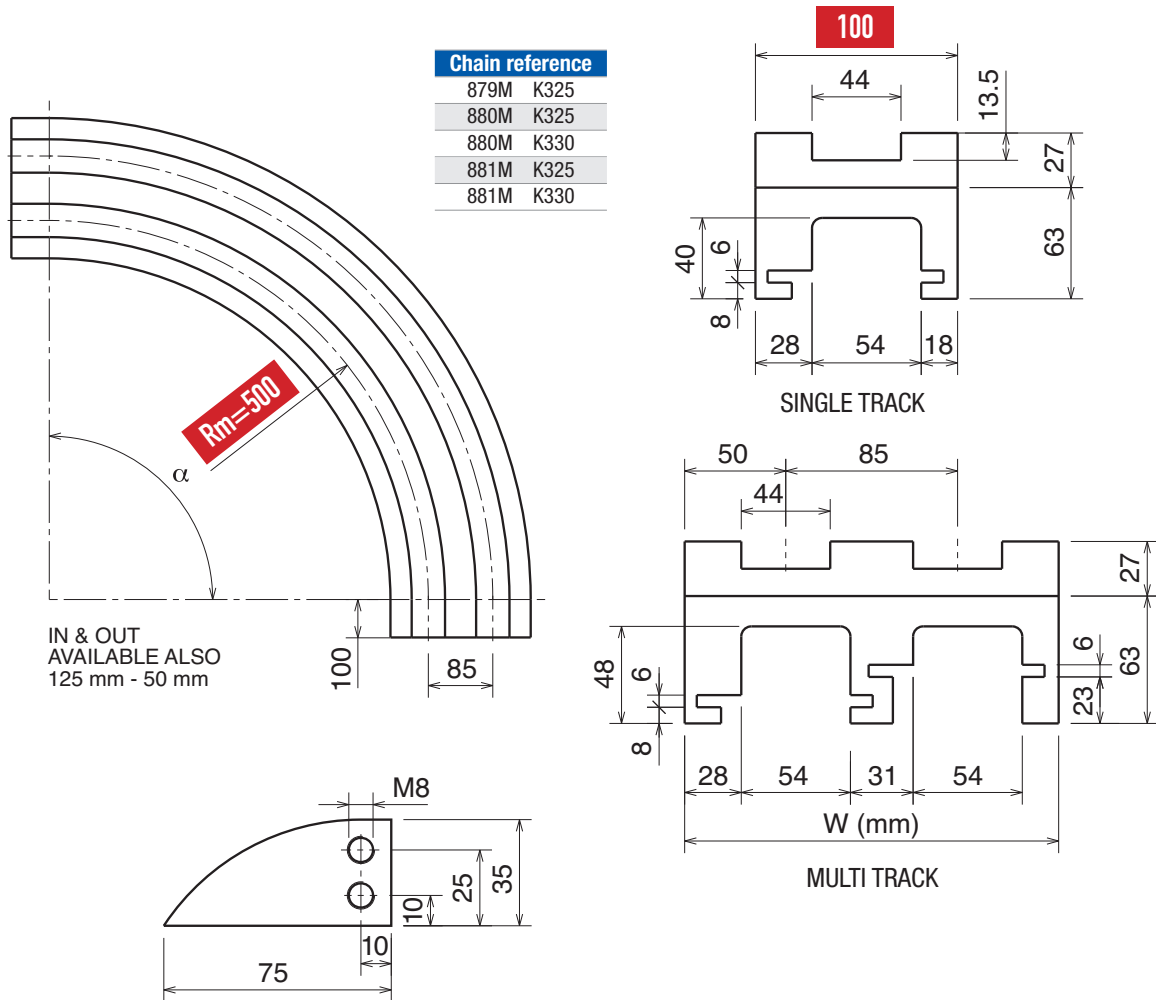
<p>880-881 Rm500</p>  <p>pag. 78</p>	<p>880-881 Rm500</p>  <p>pag. 79</p>	<p>880-881 Rm500</p>  <p>pag. 80</p>	<p>880-881 Rm500</p>  <p>pag. 81</p>	<p>880-881 Rm750</p>  <p>pag. 82</p>	<p>880-881 Rm750</p>  <p>pag. 83</p>
<p>880-881 Rm750</p>  <p>pag. 84</p>	<p>880-881 Rm860</p>  <p>pag. 85</p>	<p>880-881 K450 - Rm500</p>  <p>pag. 86</p>	<p>880-881 K450 - Rm610</p>  <p>pag. 87</p>	<p>880-881 K750 - Rm610</p>  <p>pag. 88</p>	<p>880-881 K750 - Rm860/750/1000</p>  <p>pag. 89</p>
<p>882-8857 K750 - Rm610</p>  <p>pag. 90</p>	<p>882-8857 K750 - Rm750</p>  <p>pag. 91</p>	<p>882-8857 K750 - Rm860</p>  <p>pag. 92</p>	<p>882-8857 K750 - Rm1000</p>  <p>pag. 93</p>	<p>882-8857 K1000 - Rm860</p>  <p>pag. 94</p>	<p>882-8857 K1200 - Rm860</p>  <p>pag. 95</p>
<p>LBP 882 K750 - Rm860</p>  <p>pag. 96</p>	<p>LBP 882 K1000 - Rm860</p>  <p>pag. 97</p>	<p>LBP 882 K1200 - Rm860</p>  <p>pag. 98</p>	<p>260M</p>  <p>pag. 99</p>	<p>261M</p>  <p>pag. 100</p>	

Curve Tab / Tab curves / Tab Kurven

<p>880-881 K325 - K450 - K750</p>  <p>pag. 101</p>	<p>882 K750 - K1000 - K1200</p>  <p>pag. 102</p>
---	---

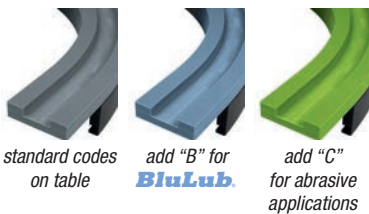


Curva Larghezza Base = 100 mm; Passo = 85 mm / Curve Basic Width = 100 mm; Pitch = 85 mm / Kurve Basisbreite = 100 mm; Teilung = 85 mm

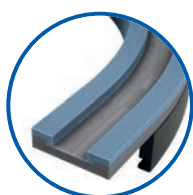


**Magnetic System**

Upper part available, on request, also in **BluLub** and for abrasive applications.



Part	$\alpha 15^\circ$	$\alpha 30^\circ$	$\alpha 45^\circ$	$\alpha 60^\circ$	$\alpha 75^\circ$	$\alpha 90^\circ$	Tracks	W
701	70111114	70111214	70111314	70111414	70111514	70111614	1	100
701	70111124	70111224	70111324	70111424	70111524	70111624	2	185
701	70111134	70111234	70111334	70111434	70111534	70111634	3	270
701	70111144	70111244	70111344	70111444	70111544	70111644	4	355
701	70111154	70111254	70111354	70111454	70111554	70111654	5	440
701	70111164	70111264	70111364	70111464	70111564	70111664	6	525
701	70111174	70111274	70111374	70111474	70111574	70111674	7	610
701	70111184	70111284	70111384	70111484	70111584	70111684	8	695



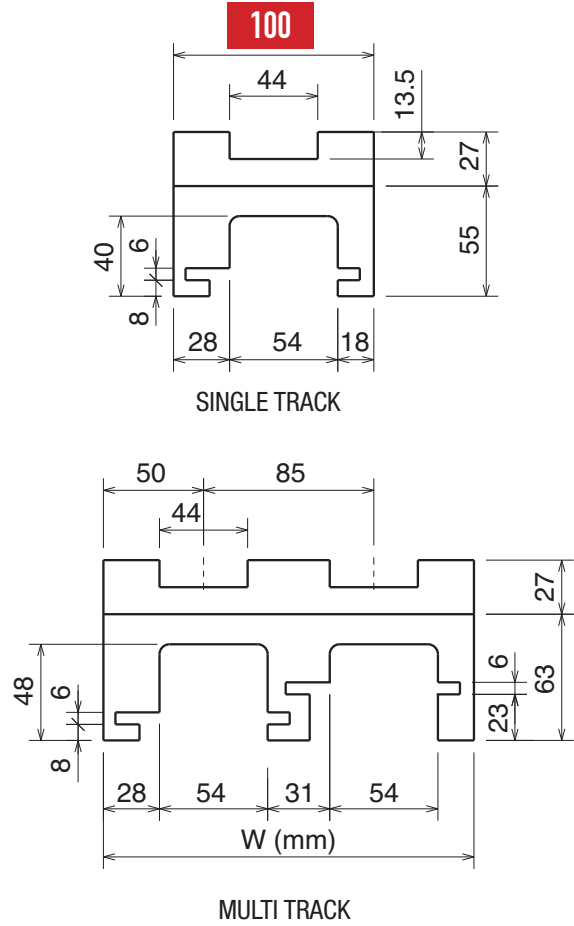
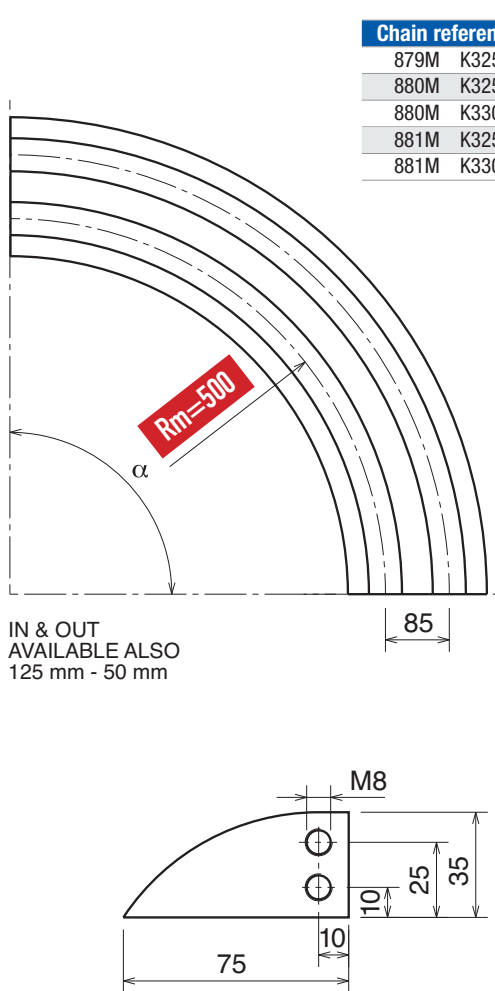
**RS**  
add "RS" for RS-version

Part	$\alpha 15^\circ$	$\alpha 30^\circ$	$\alpha 45^\circ$	$\alpha 60^\circ$	$\alpha 75^\circ$	$\alpha 90^\circ$	Tracks	W
701	70111114RS	70111214RS	70111314RS	70111414RS	70111514RS	70111614RS	1	100
701	70111124RS	70111224RS	70111324RS	70111424RS	70111524RS	70111624RS	2	185
701	70111134RS	70111234RS	70111334RS	70111434RS	70111534RS	70111634RS	3	270
701	70111144RS	70111244RS	70111344RS	70111444RS	70111544RS	70111644RS	4	355
701	70111154RS	70111254RS	70111354RS	70111454RS	70111554RS	70111654RS	5	440
701	70111164RS	70111264RS	70111364RS	70111464RS	70111564RS	70111664RS	6	525
701	70111174RS	70111274RS	70111374RS	70111474RS	70111574RS	70111674RS	7	610
701	70111184RS	70111284RS	70111384RS	70111484RS	70111584RS	70111684RS	8	695



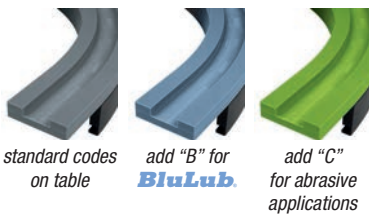
<b>Materiale:</b> Polietilene UHMW-PE	<b>Material:</b> Polyethylene UHMW-PE	<b>Materialien:</b> Polyäthylen UHMW-PE
--	--	--

Curva Larghezza Base = 100 mm; Passo = 85 mm / Curve Basic Width = 100 mm; Pitch = 85 mm / Kurve Basisbreite = 100 mm; Teilung = 85 mm

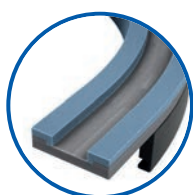


**Magnetic System**

Upper part available, on request, also in **BluLub** and for abrasive applications.



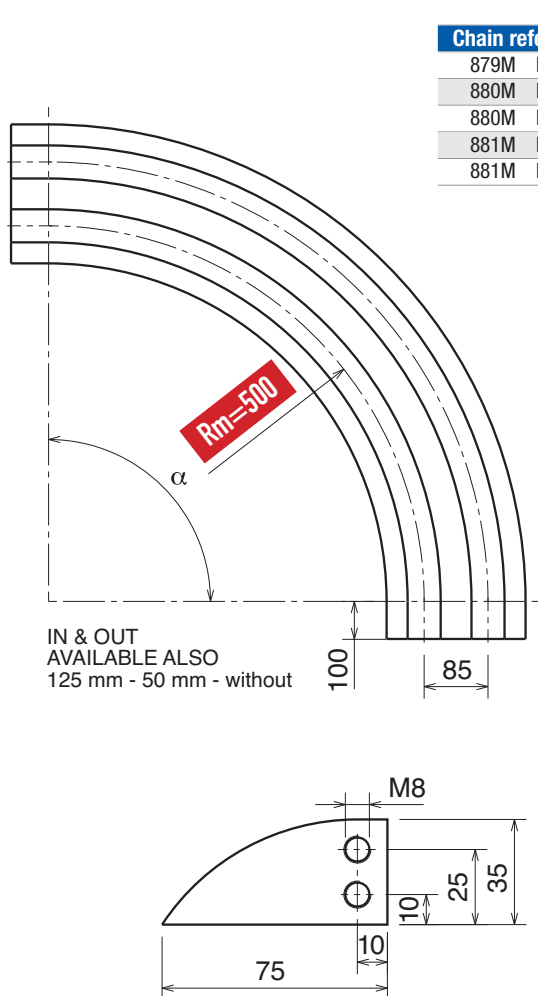
Part	$\alpha$ 15°	$\alpha$ 30°	$\alpha$ 45°	$\alpha$ 60°	$\alpha$ 75°	$\alpha$ 90°	Tracks	W
701	70111110	70111210	70111310	70111410	70111510	70111610	1	100
701	70111120	70111220	70111320	70111420	70111520	70111620	2	185
701	70111130	70111230	70111330	70111430	70111530	70111630	3	270
701	70111140	70111240	70111340	70111440	70111540	70111640	4	355
701	70111150	70111250	70111350	70111450	70111550	70111650	5	440
701	70111160	70111260	70111360	70111460	70111560	70111660	6	525
701	70111170	70111270	70111370	70111470	70111570	70111670	7	610
701	70111180	70111280	70111380	70111480	70111580	70111680	8	695



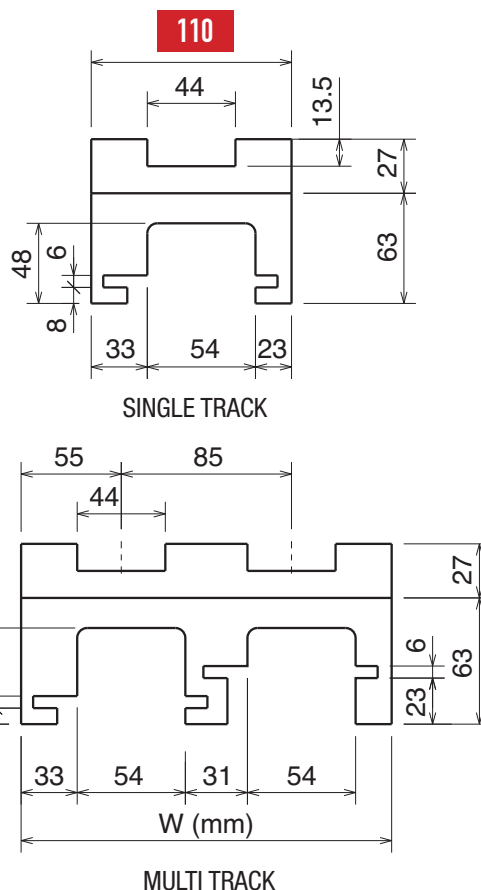
**RS**  
add "RS" for RS-version

Part	$\alpha$ 15°	$\alpha$ 30°	$\alpha$ 45°	$\alpha$ 60°	$\alpha$ 75°	$\alpha$ 90°	Tracks	W
701	70111110RS	70111210RS	70111310RS	70111410RS	70111510RS	70111610RS	1	100
701	70111120RS	70111220RS	70111320RS	70111420RS	70111520RS	70111620RS	2	185
701	70111130RS	70111230RS	70111330RS	70111430RS	70111530RS	70111630RS	3	270
701	70111140RS	70111240RS	70111340RS	70111440RS	70111540RS	70111640RS	4	355
701	70111150RS	70111250RS	70111350RS	70111450RS	70111550RS	70111650RS	5	440
701	70111160RS	70111260RS	70111360RS	70111460RS	70111560RS	70111660RS	6	525
701	70111170RS	70111270RS	70111370RS	70111470RS	70111570RS	70111670RS	7	610
701	70111180RS	70111280RS	70111380RS	70111480RS	70111580RS	70111680RS	8	695

Curva Larghezza Base = 110 mm; Passo = 85 mm / Curve Basic Width = 110 mm; Pitch = 85 mm / Kurve Basisbreite = 110 mm; Teilung = 85 mm

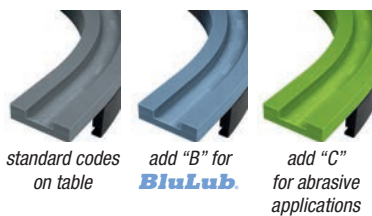


Chain reference	
879M	K325
880M	K325
880M	K330
881M	K325
881M	K330



**Magnetic System**

Upper part available, on request, also in **BluLub** and for abrasive applications.

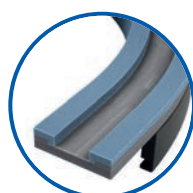


standard codes on table

add "B" for BluLub

add "C" for abrasive applications

Part	$\alpha$ 15°	$\alpha$ 30°	$\alpha$ 45°	$\alpha$ 60°	$\alpha$ 75°	$\alpha$ 90°	Tracks	W
711	71111114	71111214	71111314	71111414	71111514	71111614	1	110
711	71111124	71111224	71111324	71111424	71111524	71111624	2	195
711	71111134	71111234	71111334	71111434	71111534	71111634	3	280
711	71111144	71111244	71111344	71111444	71111544	71111644	4	365
711	71111154	71111254	71111354	71111454	71111554	71111654	5	450
711	71111164	71111264	71111364	71111464	71111564	71111664	6	535
711	71111174	71111274	71111374	71111474	71111574	71111674	7	620
711	71111184	71111284	71111384	71111484	71111584	71111684	8	705



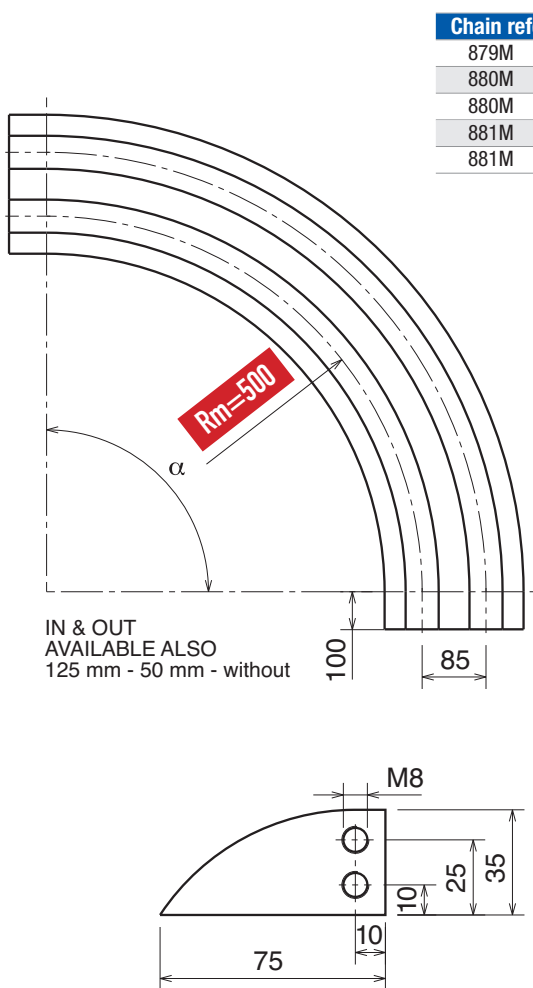
**RS**

add "RS" for RS-version

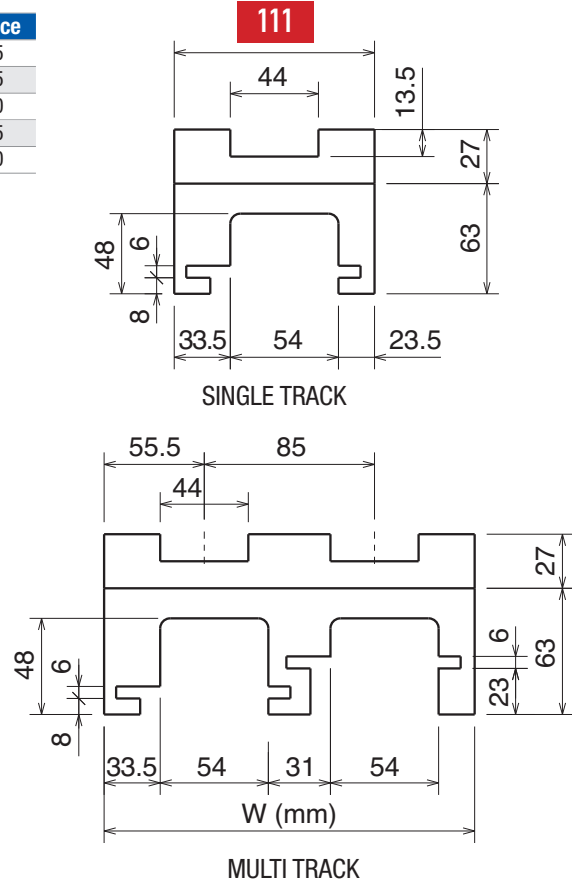
Part	$\alpha$ 15°	$\alpha$ 30°	$\alpha$ 45°	$\alpha$ 60°	$\alpha$ 75°	$\alpha$ 90°	Tracks	W
711	71111114RS	71111214RS	71111314RS	71111414RS	71111514RS	71111614RS	1	110
711	71111124RS	71111224RS	71111324RS	71111424RS	71111524RS	71111624RS	2	195
711	71111134RS	71111234RS	71111334RS	71111434RS	71111534RS	71111634RS	3	280
711	71111144RS	71111244RS	71111344RS	71111444RS	71111544RS	71111644RS	4	365
711	71111154RS	71111254RS	71111354RS	71111454RS	71111554RS	71111654RS	5	450
711	71111164RS	71111264RS	71111364RS	71111464RS	71111564RS	71111664RS	6	535
711	71111174RS	71111274RS	71111374RS	71111474RS	71111574RS	71111674RS	7	620
711	71111184RS	71111284RS	71111384RS	71111484RS	71111584RS	71111684RS	8	705

<b>Materiale:</b>	<b>Material:</b>	<b>Materialien:</b>
Polietilene UHMW-PE	Polyethylene UHMW-PE	Polyäthylen UHMW-PE

Curva Larghezza Base = 111 mm; Passo = 85 mm / Curve Basic Width = 111 mm; Pitch = 85 mm / Kurve Basisbreite = 111 mm; Teilung = 85 mm

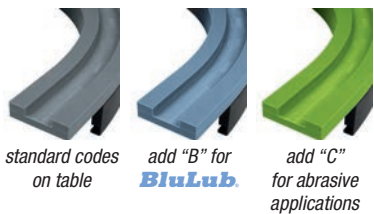


Chain reference	
879M	K325
880M	K325
880M	K330
881M	K325
881M	K330

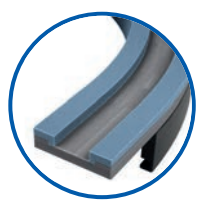


**Magnetic System**

Upper part available, on request, also in **BluLub** and for abrasive applications.



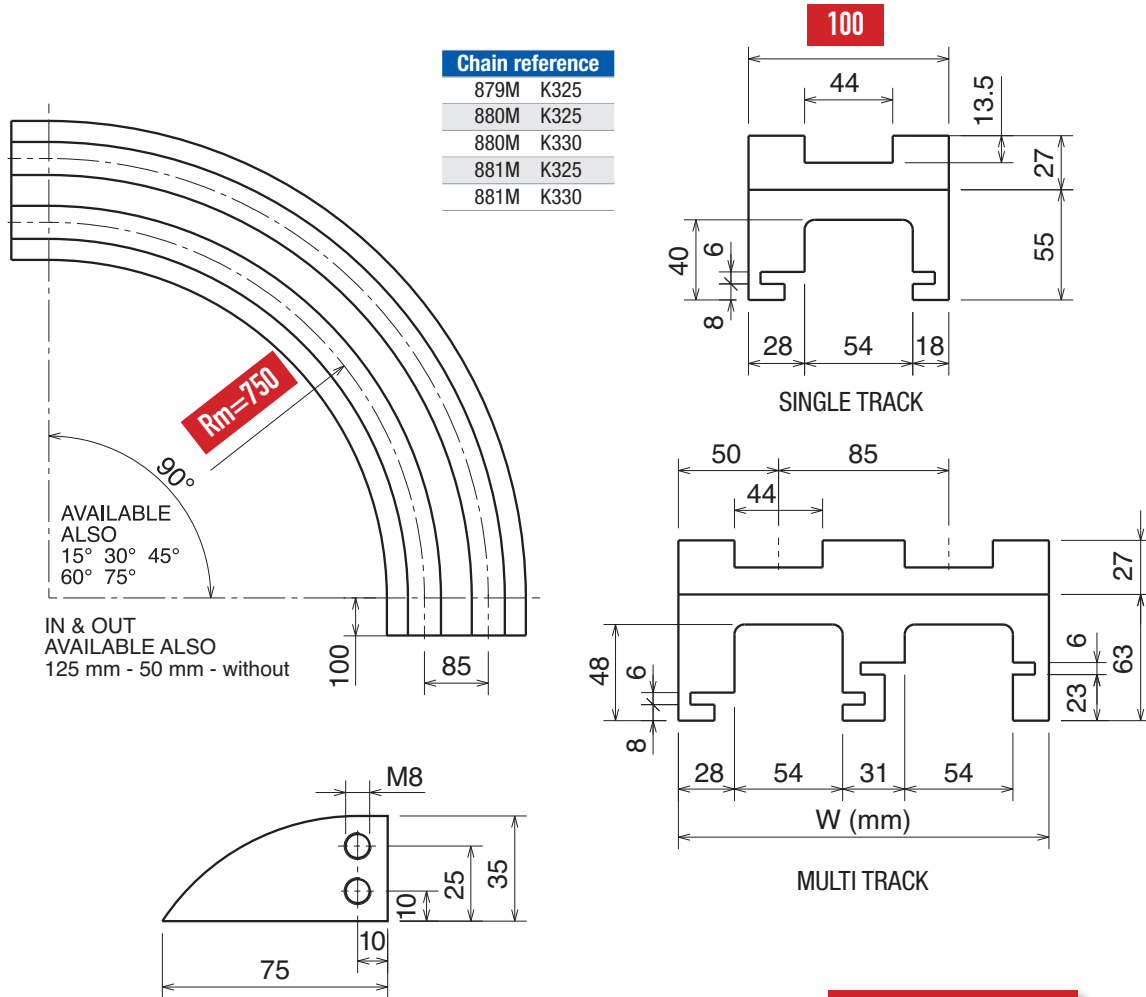
Part	$\alpha$ 15°	$\alpha$ 30°	$\alpha$ 45°	$\alpha$ 60°	$\alpha$ 75°	$\alpha$ 90°	Tracks	W
712	71211114	71211214	71211314	71211414	71211514	71211614	1	111
712	71211124	71211224	71211324	71211424	71211524	71211624	2	196
712	71211134	71211234	71211334	71211434	71211534	71211634	3	281
712	71211144	71211244	71211344	71211444	71211544	71211644	4	366
712	71211154	71211254	71211354	71211454	71211554	71211654	5	451
712	71211164	71211264	71211364	71211464	71211564	71211664	6	536
712	71211174	71211274	71211374	71211474	71211574	71211674	7	621
712	71211184	71211284	71211384	71211484	71211584	71211684	8	706



**RS**  
add "RS" for RS-version

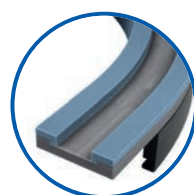
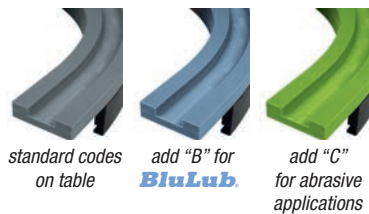
Part	$\alpha$ 15°	$\alpha$ 30°	$\alpha$ 45°	$\alpha$ 60°	$\alpha$ 75°	$\alpha$ 90°	Tracks	W
712	7121114RS	71211214RS	71211314RS	71211414RS	71211514RS	71211614RS	1	111
712	71211124RS	71211224RS	71211324RS	71211424RS	71211524RS	71211624RS	2	196
712	71211134RS	71211234RS	71211334RS	71211434RS	71211534RS	71211634RS	3	281
712	71211144RS	71211244RS	71211344RS	71211444RS	71211544RS	71211644RS	4	366
712	71211154RS	71211254RS	71211354RS	71211454RS	71211554RS	71211654RS	5	451
712	71211164RS	71211264RS	71211364RS	71211464RS	71211564RS	71211664RS	6	536
712	71211174RS	71211274RS	71211374RS	71211474RS	71211574RS	71211674RS	7	621
712	71211184RS	71211284RS	71211384RS	71211484RS	71211584RS	71211684RS	8	706

Curva Larghezza Base = 100 mm; Passo = 85 mm / Curve Basic Width = 100 mm; Pitch = 85 mm / Kurve Basisbreite = 100 mm; Teilung = 85 mm



## Magnetic System

Upper part available, on request, also in **BluLub** and for abrasive applications.



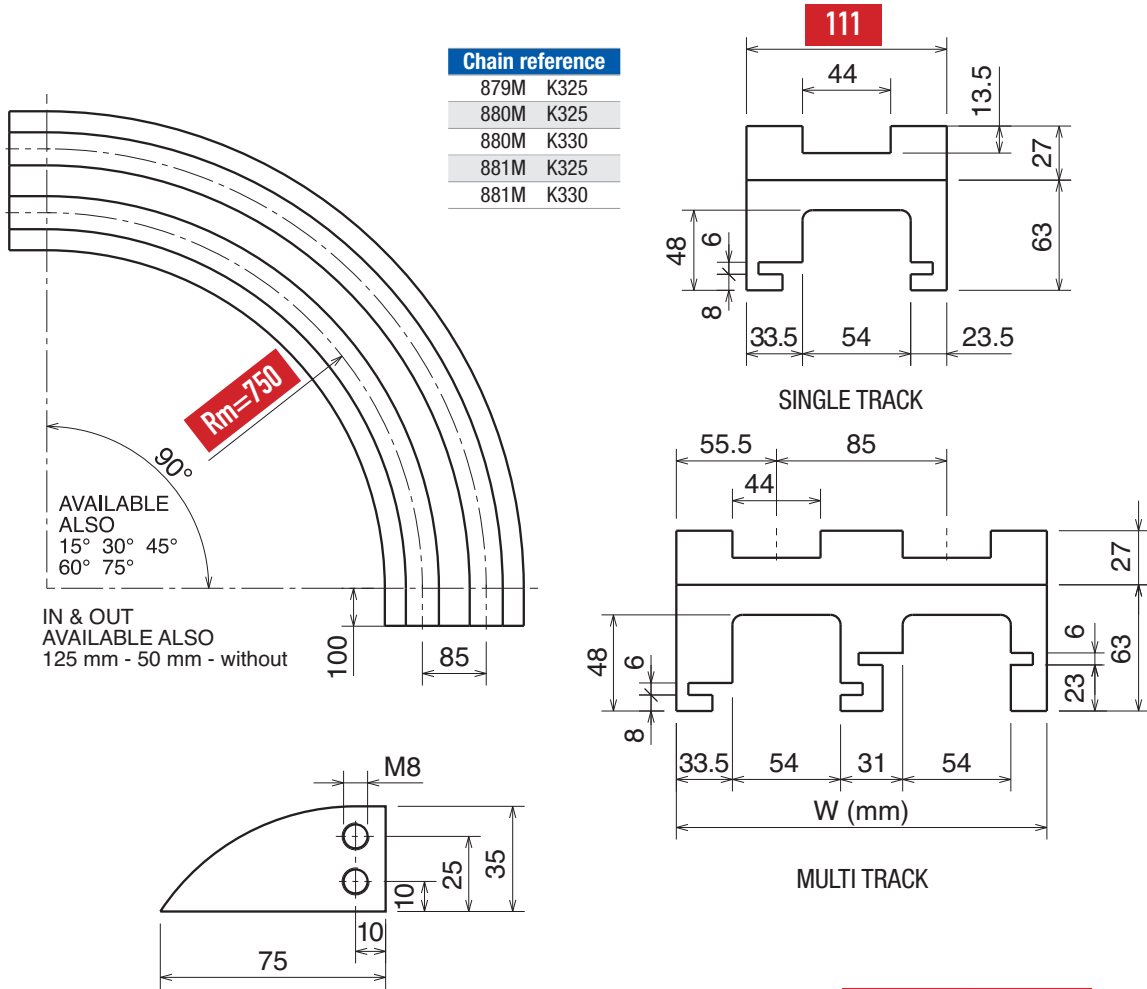
**RS**  
add "RS" for RS-version

Part	Article-Nr.	Tracks	W
702	70216614	1	100
702	70216624	2	185
702	70216634	3	270
702	70216644	4	355
702	70216654	5	440
702	70216664	6	525
702	70216674	7	610
702	70216684	8	695

Part	Article-Nr.	Tracks	W
702	70216614RS	1	100
702	70216624RS	2	185
702	70216634RS	3	270
702	70216644RS	4	355
702	70216654RS	5	440
702	70216664RS	6	525
702	70216674RS	7	610
702	70216684RS	8	695

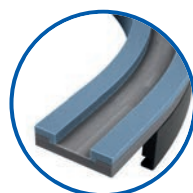
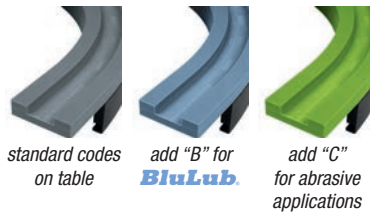
Materiale:	Material:	Materialien:
Polietilene UHMW-PE	Polyethylene UHMW-PE	Polyäthylen UHMW-PE

Curva Larghezza Base = 111 mm; Passo = 85 mm / Curve Basic Width = 111 mm; Pitch = 85 mm / Kurve Basisbreite = 111 mm; Teilung = 85 mm



## Magnetic System

Upper part available, on request, also in **BluLub** and for abrasive applications.

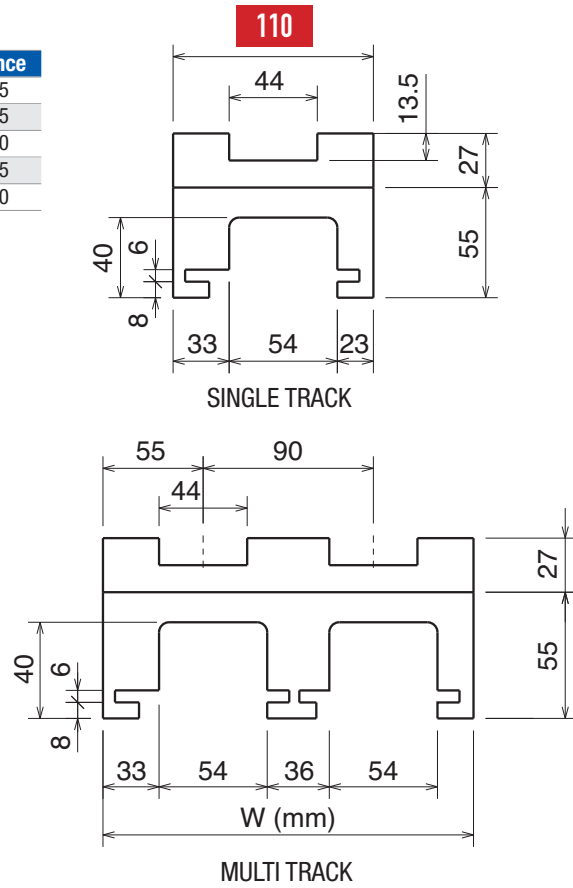
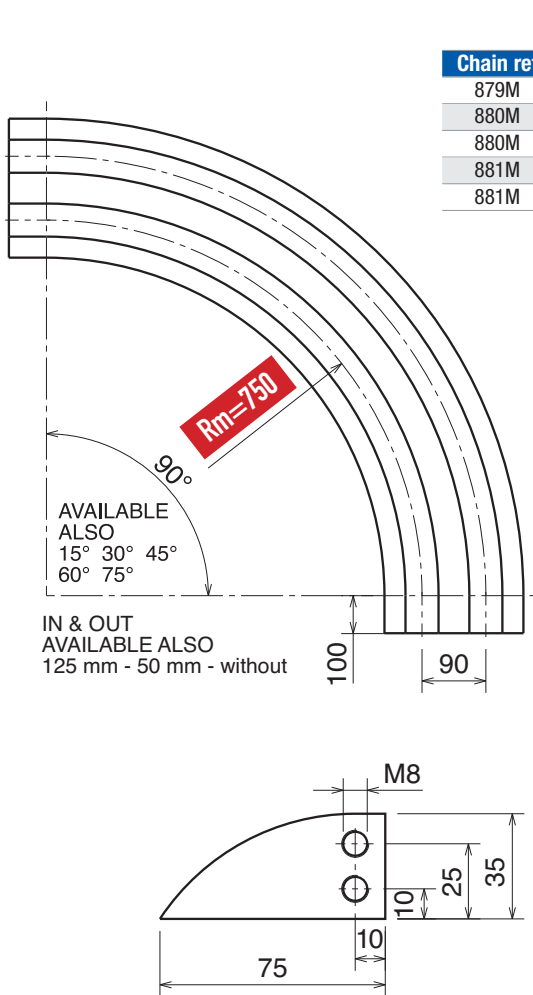


**RS**  
add "RS" for RS-version

Part	Article-Nr.	Tracks	W
713	71316614	1	111
713	71316624	2	196
713	71316634	3	281
713	71316644	4	366
713	71316654	5	451
713	71316664	6	536
713	71316674	7	621
713	71316684	8	706

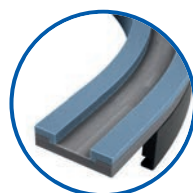
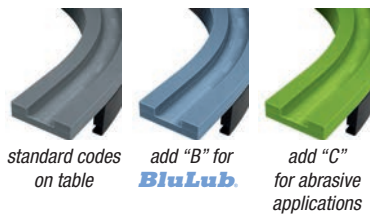
Part	Article-Nr.	Tracks	W
713	71316614RS	1	111
713	71316624RS	2	196
713	71316634RS	3	281
713	71316644RS	4	366
713	71316654RS	5	451
713	71316664RS	6	536
713	71316674RS	7	621
713	71316684RS	8	706

Curva Larghezza Base = 110 mm; Passo = 90 mm / Curve Basic Width = 110 mm; Pitch = 90 mm / Kurve Basisbreite = 110 mm; Teilung = 90 mm



## Magnetic System

Upper part available, on request, also in **BluLub** and for abrasive applications.



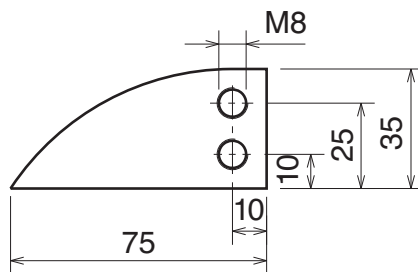
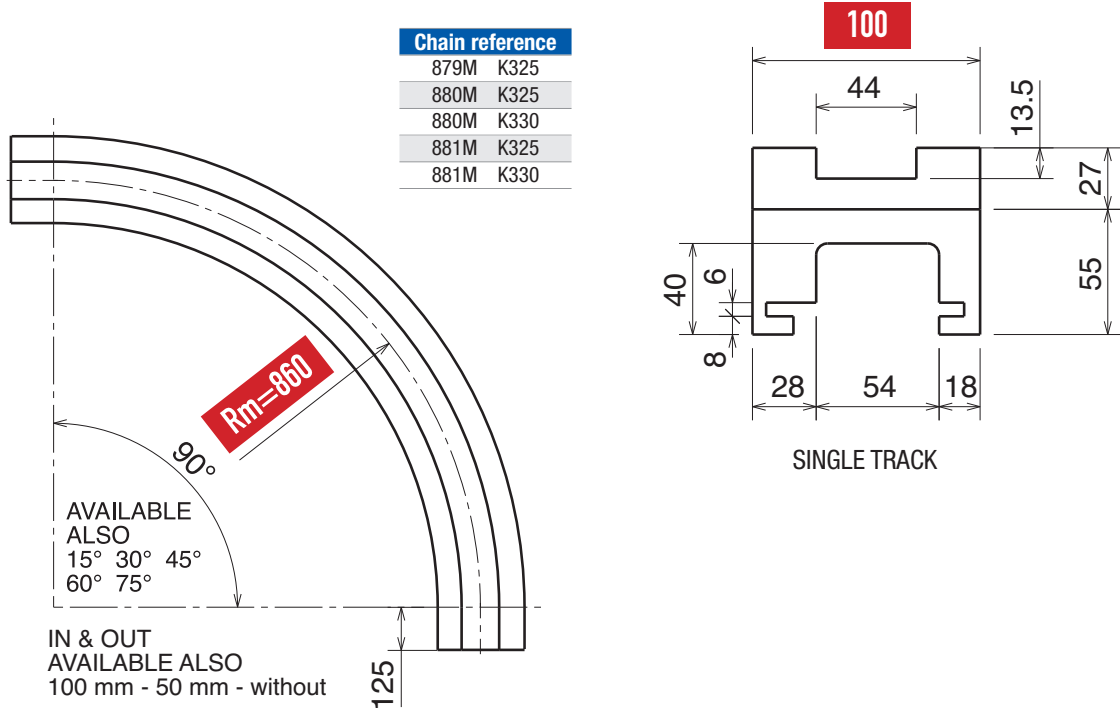
**RS**  
add "RS" for RS-version

Part	Article-Nr.	Tracks	W
714	71416614	1	110
714	71416624	2	200
714	71416634	3	290
714	71416644	4	380
714	71416654	5	470
714	71416664	6	560
714	71416674	7	650
714	71416684	8	740

Part	Article-Nr.	Tracks	W
714	71416614RS	1	110
714	71416624RS	2	200
714	71416634RS	3	290
714	71416644RS	4	380
714	71416654RS	5	470
714	71416664RS	6	560
714	71416674RS	7	650
714	71416684RS	8	740

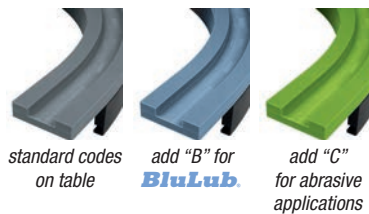
Materiale:	Material:	Materialien:
Polietilene UHMW-PE	Polyethylene UHMW-PE	Polyäthylen UHMW-PE

Curva Larghezza Base = 100 mm; Passo = 85 mm / Curve Basic Width = 100 mm; Pitch = 85 mm / Kurve Basisbreite = 100 mm; Teilung = 85 mm



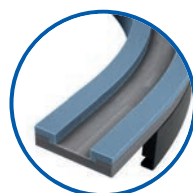
## Magnetic System

Upper part available, on request, also in **BluLub**® and for abrasive applications.



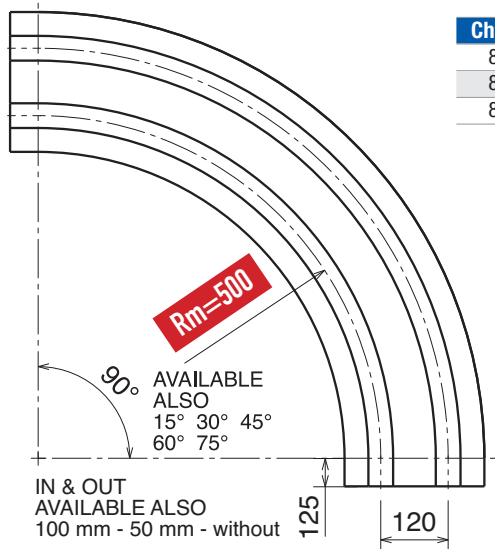
Part	Article-Nr.	Tracks	W
703	70318615	1	100

Part	Article-Nr.	Tracks	W
703	70318615RS	1	100

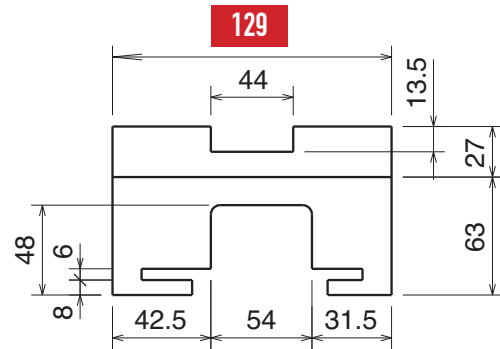


**RS**  
add "RS" for RS-version

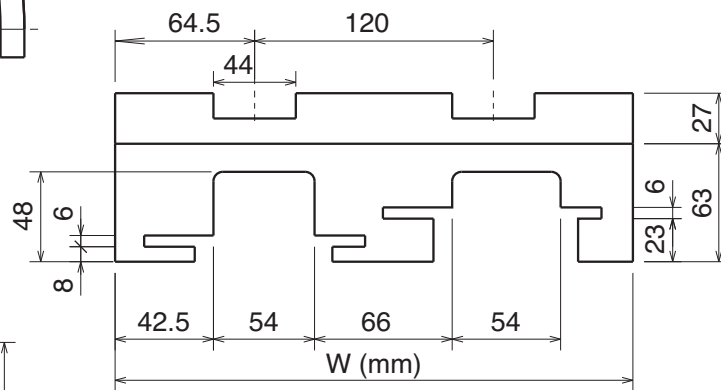
Curva Larghezza Base = 129 mm; Passo = 120 mm / Curve Basic Width = 129 mm; Pitch = 120 mm / Kurve Basisbreite = 129 mm; Teilung = 120 mm



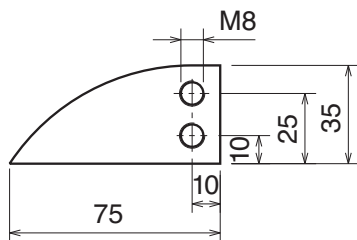
Chain reference	
879M	K450
880M	K450
881M	K450



SINGLE TRACK

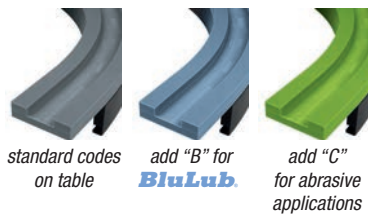


MULTI TRACK



## Magnetic System

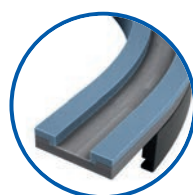
Upper part available, on request, also in **BluLub** and for abrasive applications.



standard codes on table

add "B" for BluLub

add "C" for abrasive applications



**RS**

add "RS" for RS-version

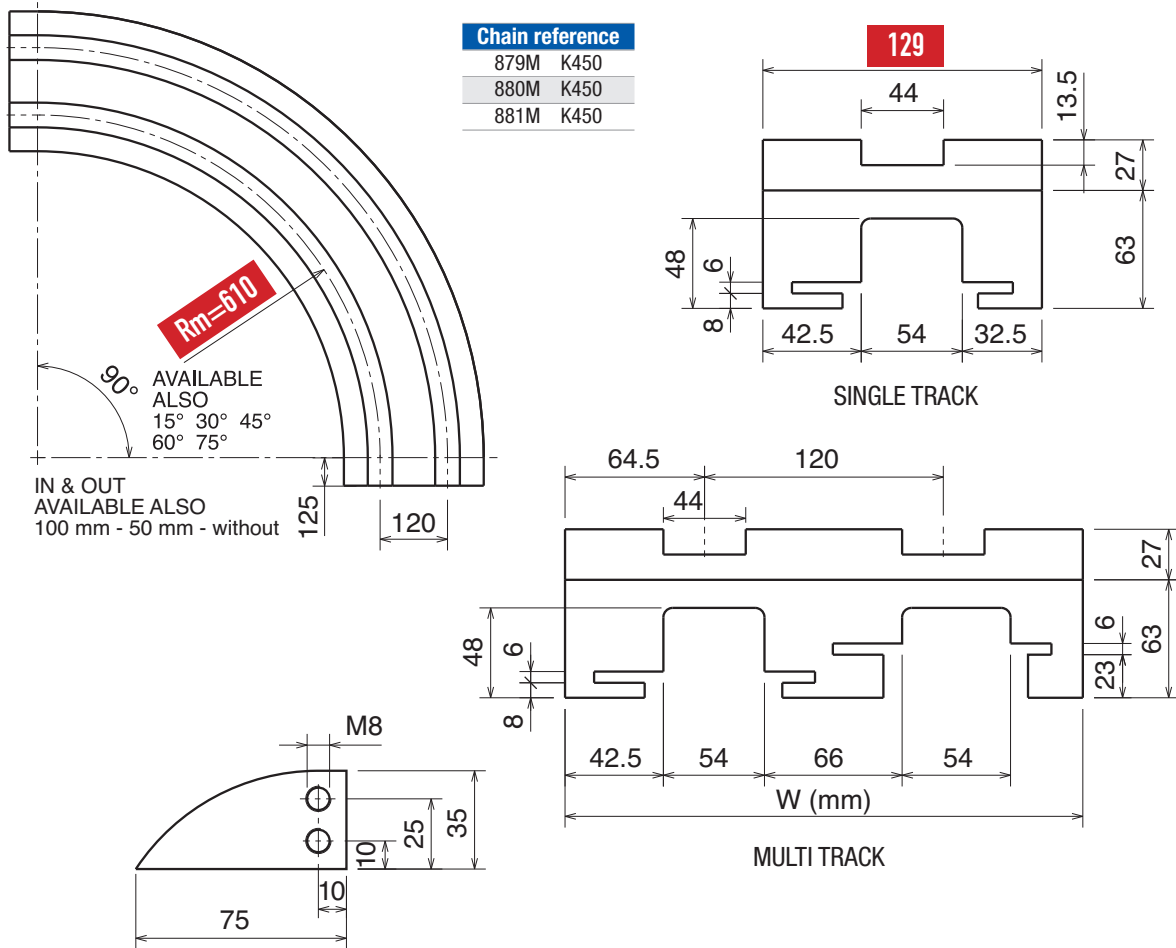
Part	Article-Nr.	Tracks	W
715	71511615	1	129
715	71511625	2	249
715	71511635	3	369
715	71511645	4	489
715	71511655	5	609

Part	Article-Nr.	Tracks	W
715	71511615RS	1	129
715	71511625RS	2	249
715	71511635RS	3	369
715	71511645RS	4	489
715	71511655RS	5	609



Materiale: Polietilene UHMW-PE    Material: Polyethylene UHMW-PE    Materialien: Polyäthylen UHMW-PE

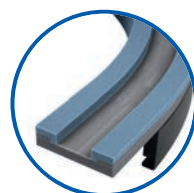
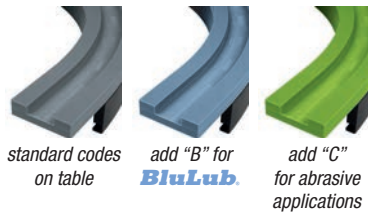
Curva Larghezza Base = 129 mm; Passo = 120 mm / Curve Basic Width = 129 mm; Pitch = 120 mm / Kurve Basisbreite = 129 mm; Teilung = 120 mm



Chain reference	
879M	K450
880M	K450
881M	K450

## Magnetic System

Upper part available, on request, also in **BluLub**® and for abrasive applications.

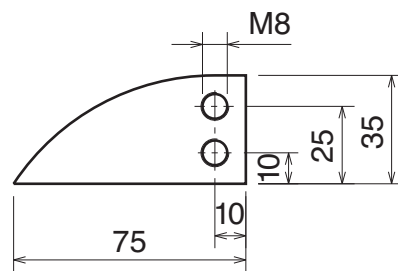
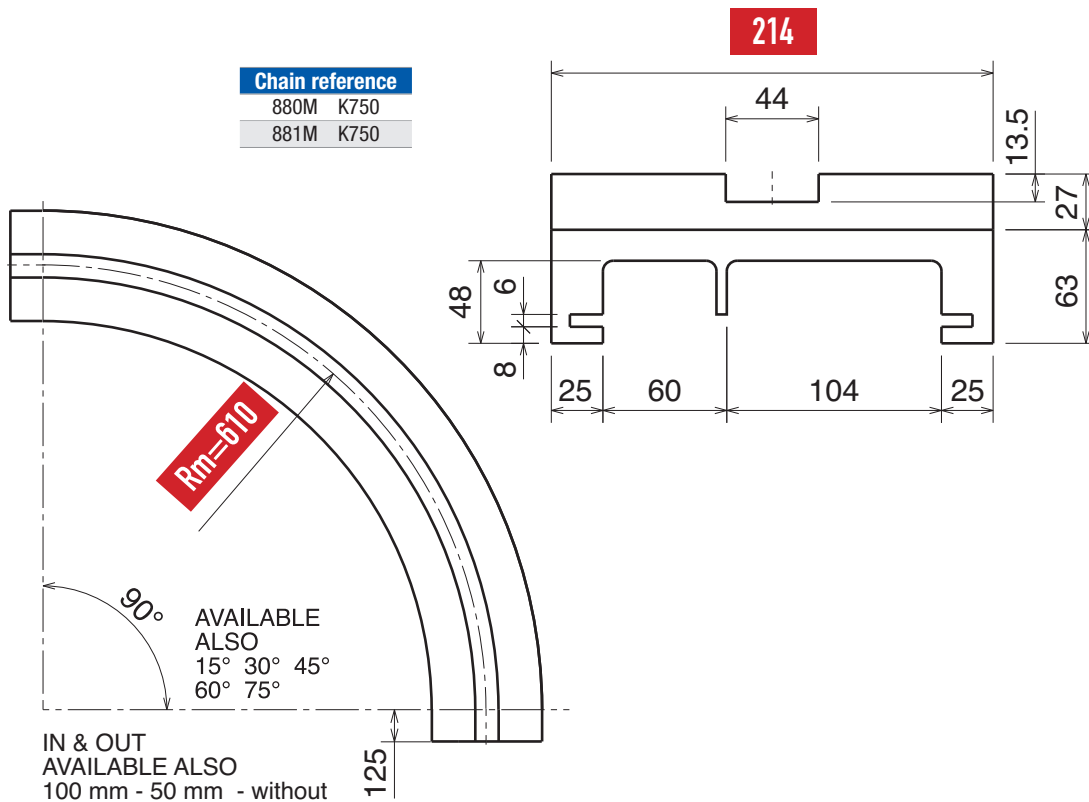


**RS**  
add "RS" for RS-version

Part	Article-Nr.	Tracks	W
704	70413615	1	129
704	70413625	2	249
704	70413635	3	369
704	70413645	4	489
704	70413655	5	609

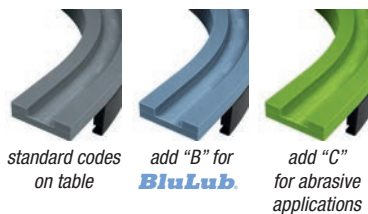
Part	Article-Nr.	Tracks	W
704	70413615RS	1	129
704	70413625RS	2	249
704	70413635RS	3	369
704	70413645RS	4	489
704	70413655RS	5	609

Curva Larghezza Base = 214 mm / Curve Basic Width = 214 mm / Kurve Basisbreite = 214 mm



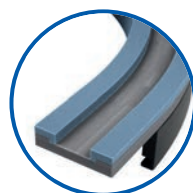
**Magnetic System**

Upper part available, on request, also in **BluLub** and for abrasive applications.



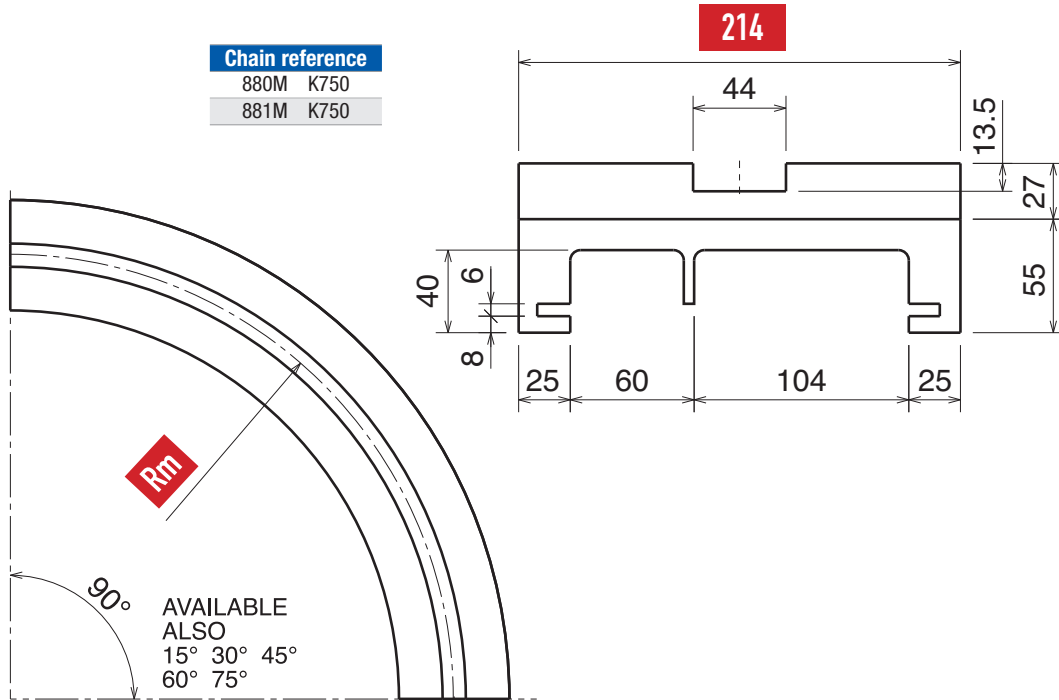
Part	Article-Nr.	Tracks	W
716	71613615	1	214

Part	Article-Nr.	Tracks	W
716	71613615RS	1	214



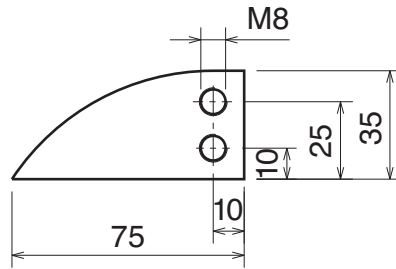
**RS**  
add "RS" for RS-version

Curva Larghezza Base = 214 mm / Curve Basic Width = 214 mm / Kurve Basisbreite = 214 mm



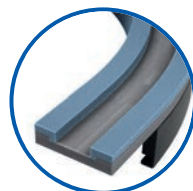
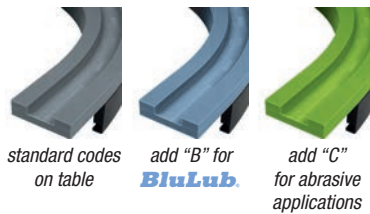
Chain reference	
880M	K750
881M	K750

IN & OUT  
 AVAILABLE ALSO  
 125 mm - 100 mm - 50 mm



**Magnetic System**

Upper part available, on request, also in **BluLub** and for abrasive applications.

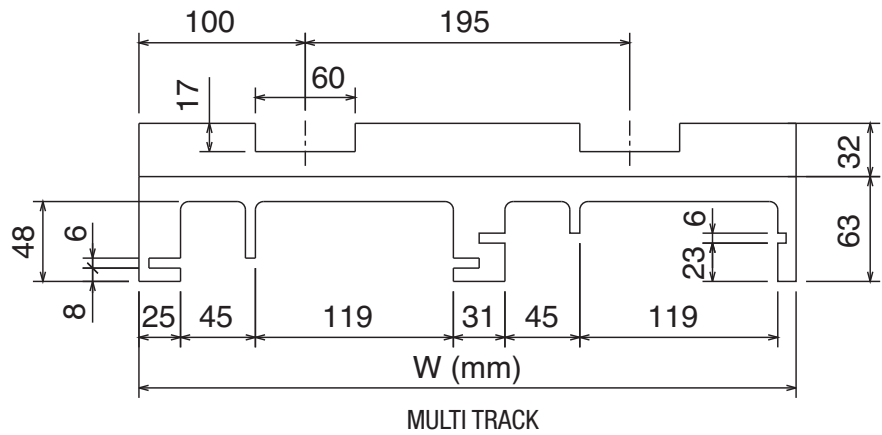
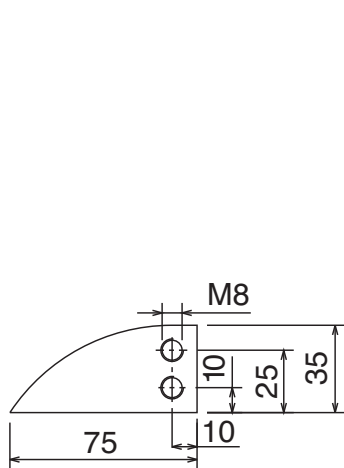
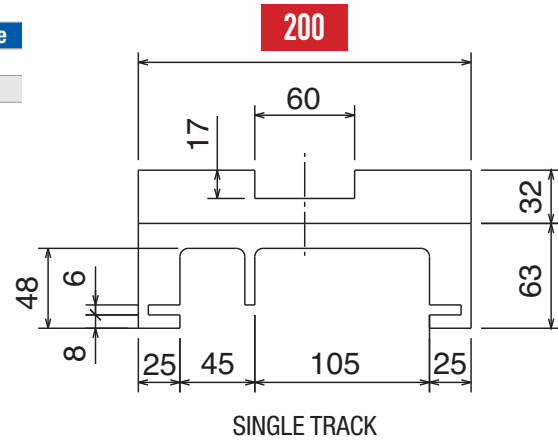
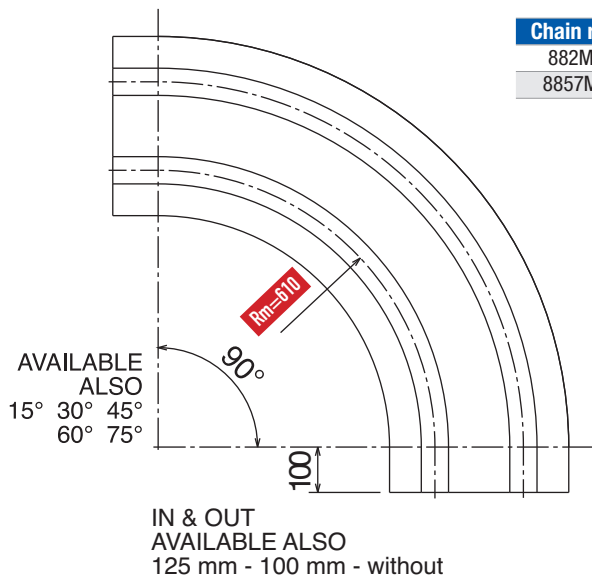


**RS**  
 add "RS" for RS-version

Part	Article-Nr.	Tracks	W	R
707	70716610	1	214	750
707	70718610	1	214	860
707	70719610	1	214	1000

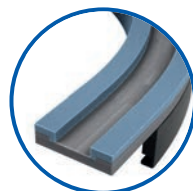
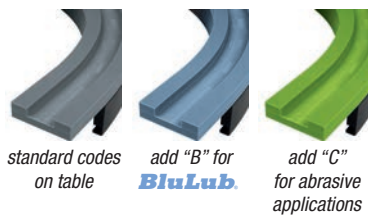
Part	Article-Nr.	Tracks	W	R
707	70716610RS	1	214	750
707	70718610RS	1	214	860
707	70719610RS	1	214	1000

Curva Larghezza Base = 200 mm; Passo = 195 mm / Curve Basic Width = 200 mm; Pitch = 195 mm / Kurve Basisbreite = 200 mm; Teilung = 195 mm



## Magnetic System

Upper part available, on request, also in **BluLub** and for abrasive applications.

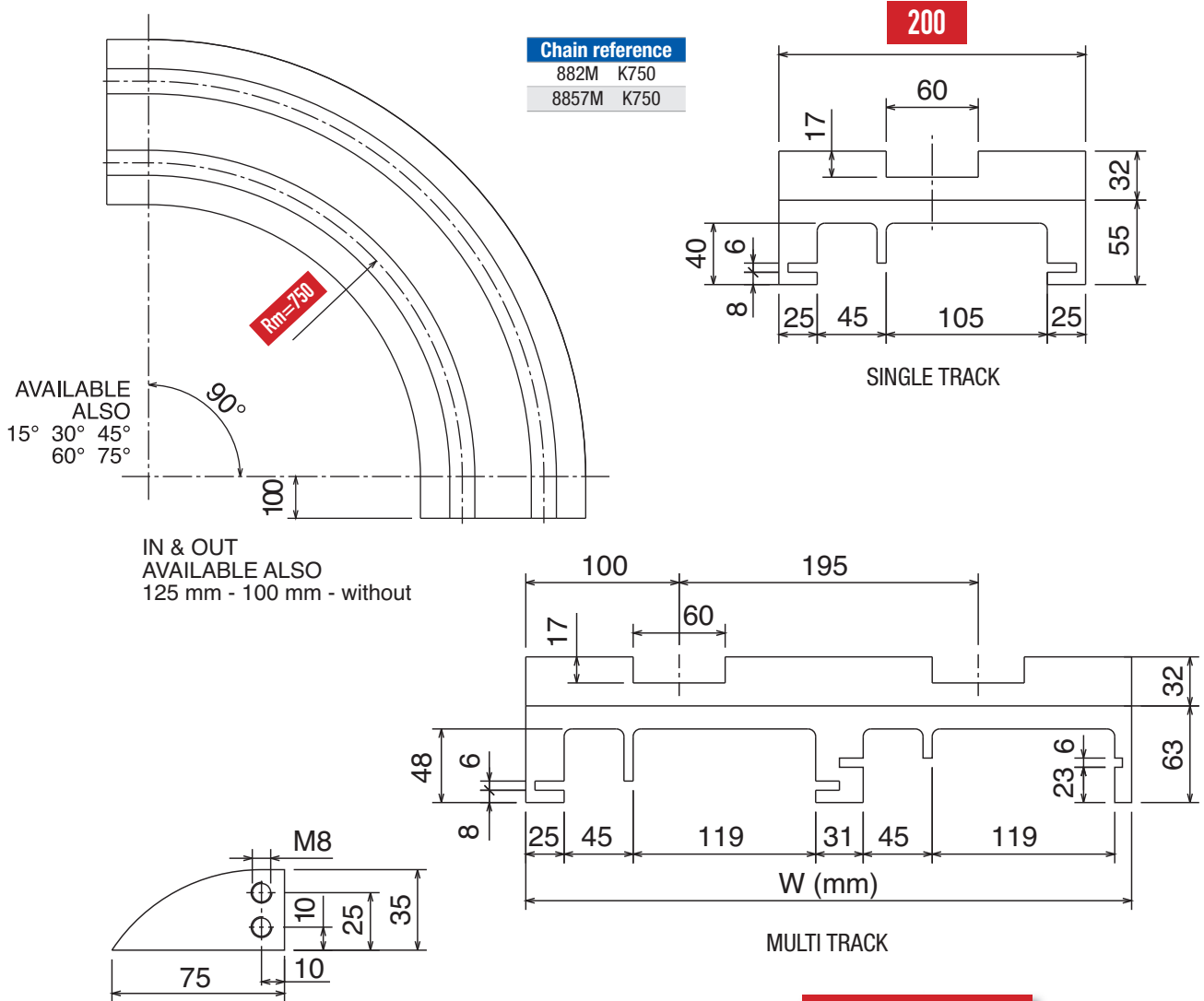


**RS**  
add "RS" for RS-version

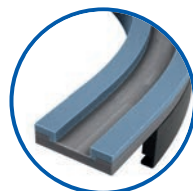
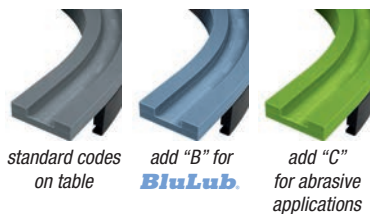
Part	Article-Nr.	Tracks	W
717	71713614	1	200
717	71713624	2	395
717	71713634	3	590
717	71713644	4	785

Part	Article-Nr.	Tracks	W
717	71713614RS	1	200
717	71713624RS	2	395
717	71713634RS	3	590
717	71713644RS	4	785

Curva Larghezza Base = 200 mm; Passo = 195 mm / Curve Basic Width = 200 mm; Pitch = 195 mm / Kurve Basisbreite = 200 mm; Teilung = 195 mm



Upper part available, on request, also in **BluLub** and for abrasive applications.

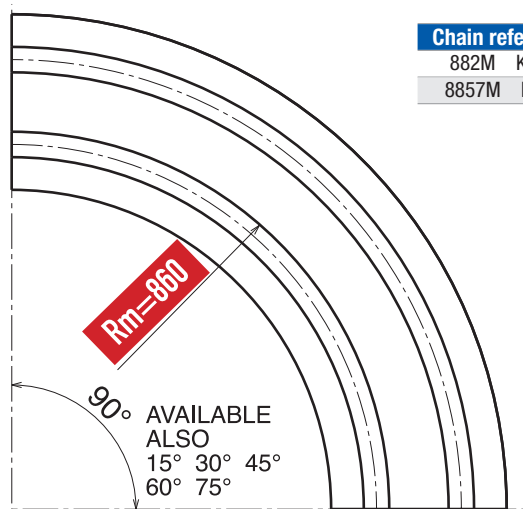


**RS**  
add "RS" for RS-version

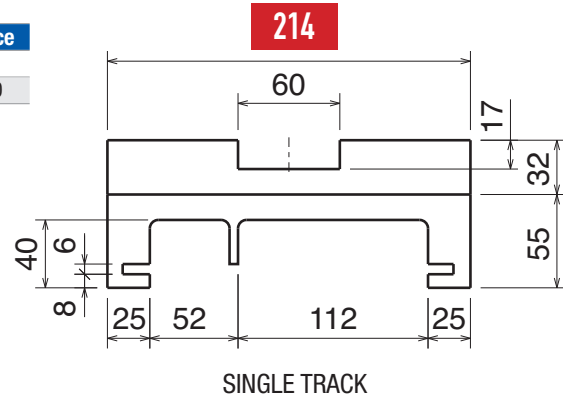
Part	Article-Nr.	Tracks	W
718	71816614	1	200
718	71816624	2	395
718	71816634	3	590

Part	Article-Nr.	Tracks	W
718	71816614RS	1	200
718	71816624RS	2	395
718	71816634RS	3	590

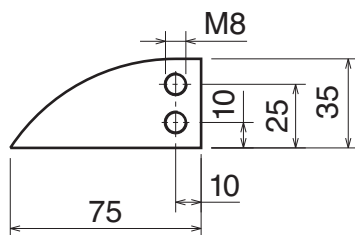
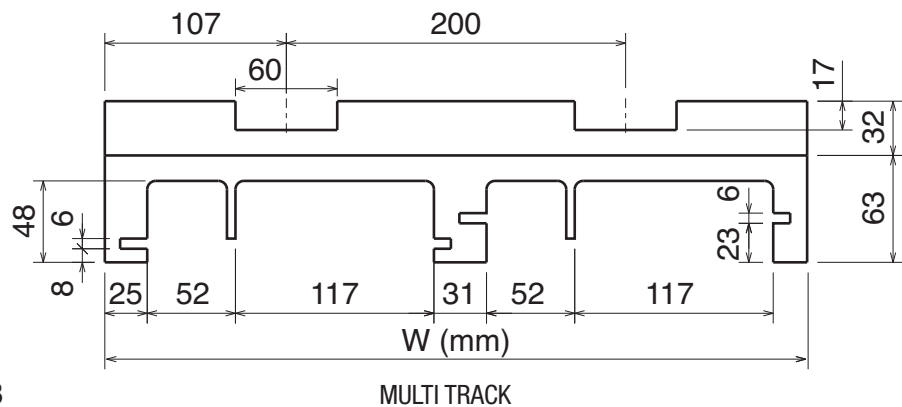
Curva Larghezza Base = 214 mm; Passo = 200 mm / Curve Basic Width = 214 mm; Pitch = 200 mm / Kurve Basisbreite = 214 mm; Teilung = 200 mm



Chain reference	
882M	K750
8857M	K750

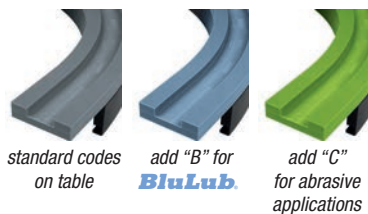


IN & OUT AVAILABLE ALSO  
125 mm  
100 mm  
50 mm



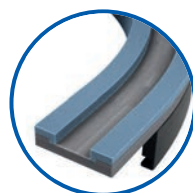
## Magnetic System

Upper part available, on request, also in **BluLub** and for abrasive applications.



Part	Article-Nr.	Tracks	W
708	70818610	1	214
708	70818620	2	410
708	70818630	3	606

Part	Article-Nr.	Tracks	W
708	70818610RS	1	214
708	70818620RS	2	410
708	70818630RS	3	606

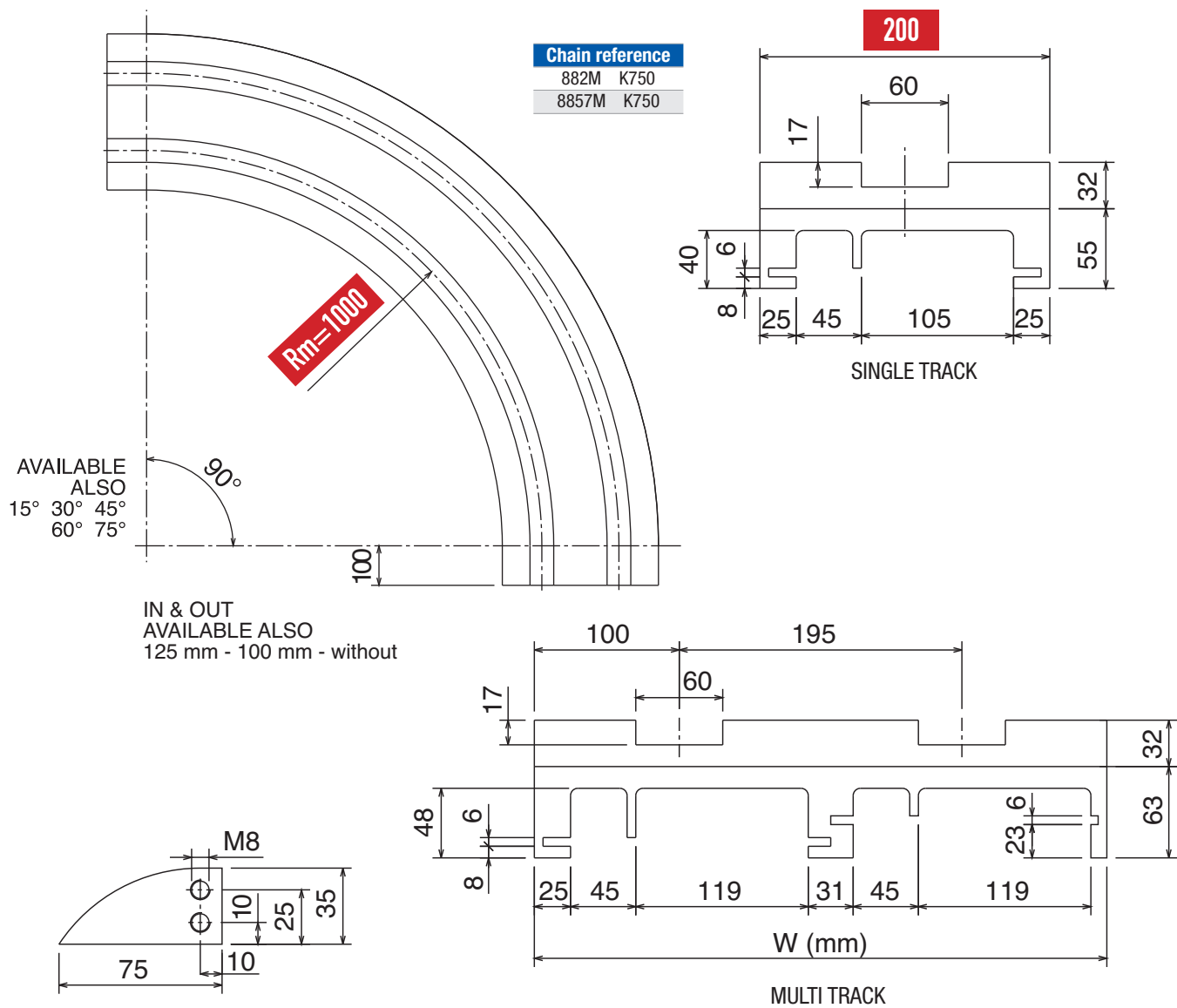


**RS**

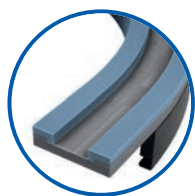
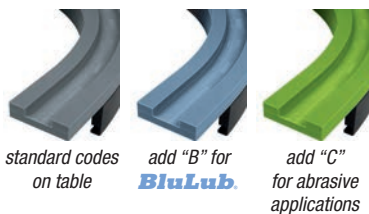
add "RS" for RS-version

Materiale:	Material:	Materialien:
Polietilene UHMW-PE	Polyethylene UHMW-PE	Polyäthylen UHMW-PE

Curva Larghezza Base = 200 mm; Passo = 195 mm / Curve Basic Width = 200 mm; Pitch = 195 mm / Kurve Basisbreite = 200 mm; Teilung = 195 mm



Upper part available, on request, also in **BluLub** and for abrasive applications.



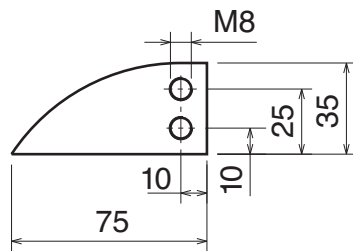
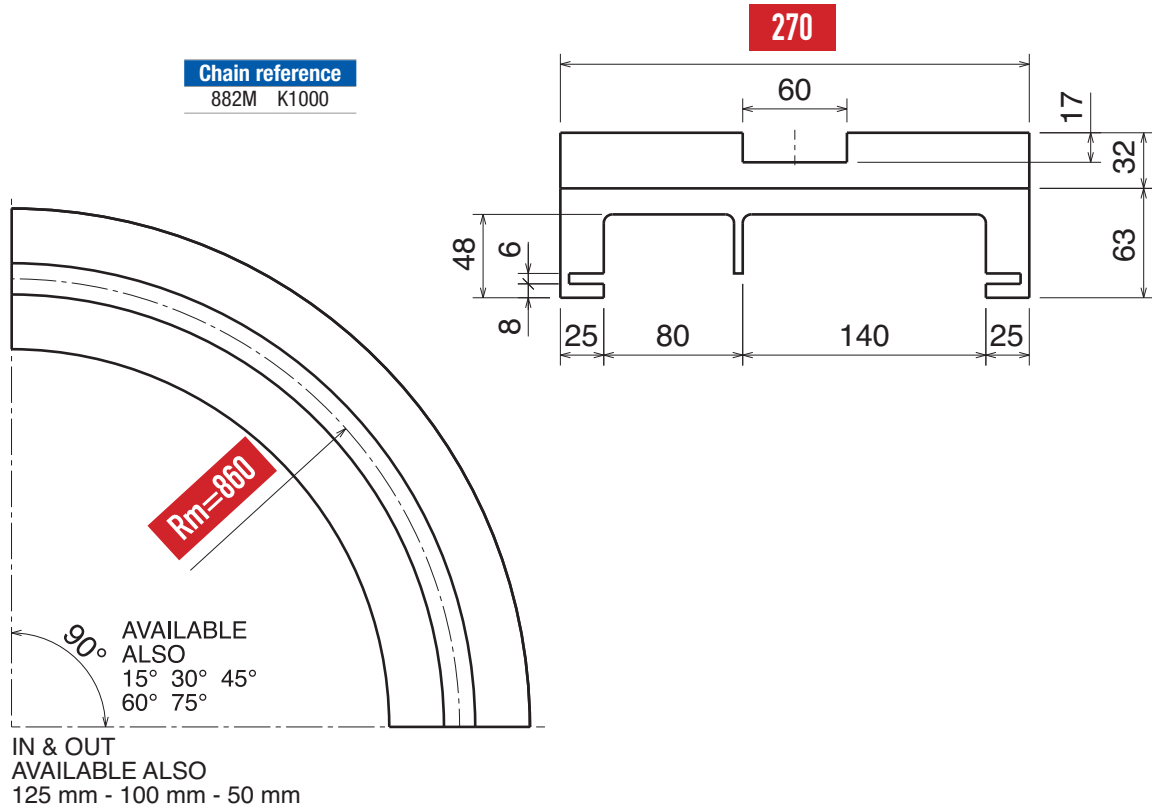
**RS**  
add "RS" for RS-version

**Magnetic System**

Part	Article-Nr.	Tracks	W
719	71919614	1	200
719	71919624	2	395
719	71919634	3	590

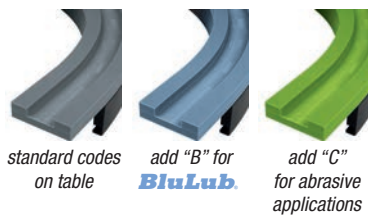
Part	Article-Nr.	Tracks	W
719	71919614RS	1	200
719	71919624RS	2	395
719	71919634RS	3	590

Curva Larghezza Base = 270 mm / Curve Basic Width = 270 mm / Kurve Basisbreite = 270 mm



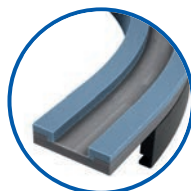
## Magnetic System

Upper part available, on request, also in **BluLub** and for abrasive applications.



Part	Article-Nr.	Tracks	W
709	70918610	1	270

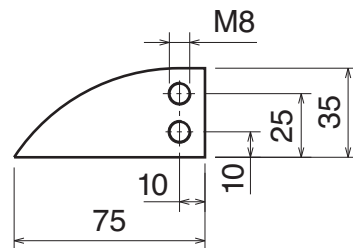
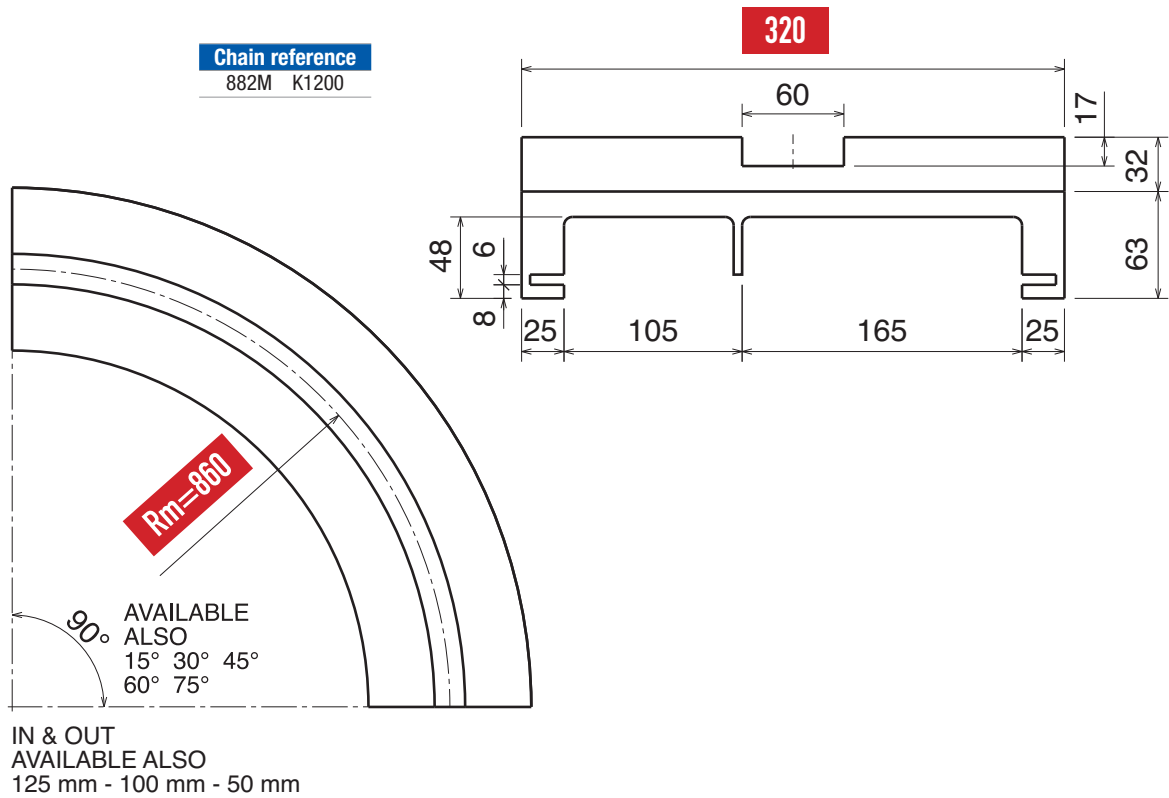
Part	Article-Nr.	Tracks	W
709	70918610RS	1	270



**RS**  
add "RS" for RS-version

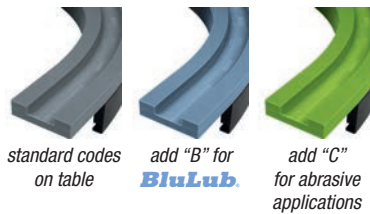


Curva Larghezza Base = 320 mm / Curve Basic Width = 320 mm / Kurve Basisbreite = 320 mm



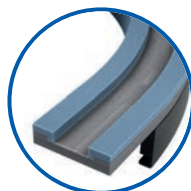
## Magnetic System

Upper part available, on request, also in **BluLub** and for abrasive applications.



Part	Article-Nr.	Tracks	W
710	71018610	1	320

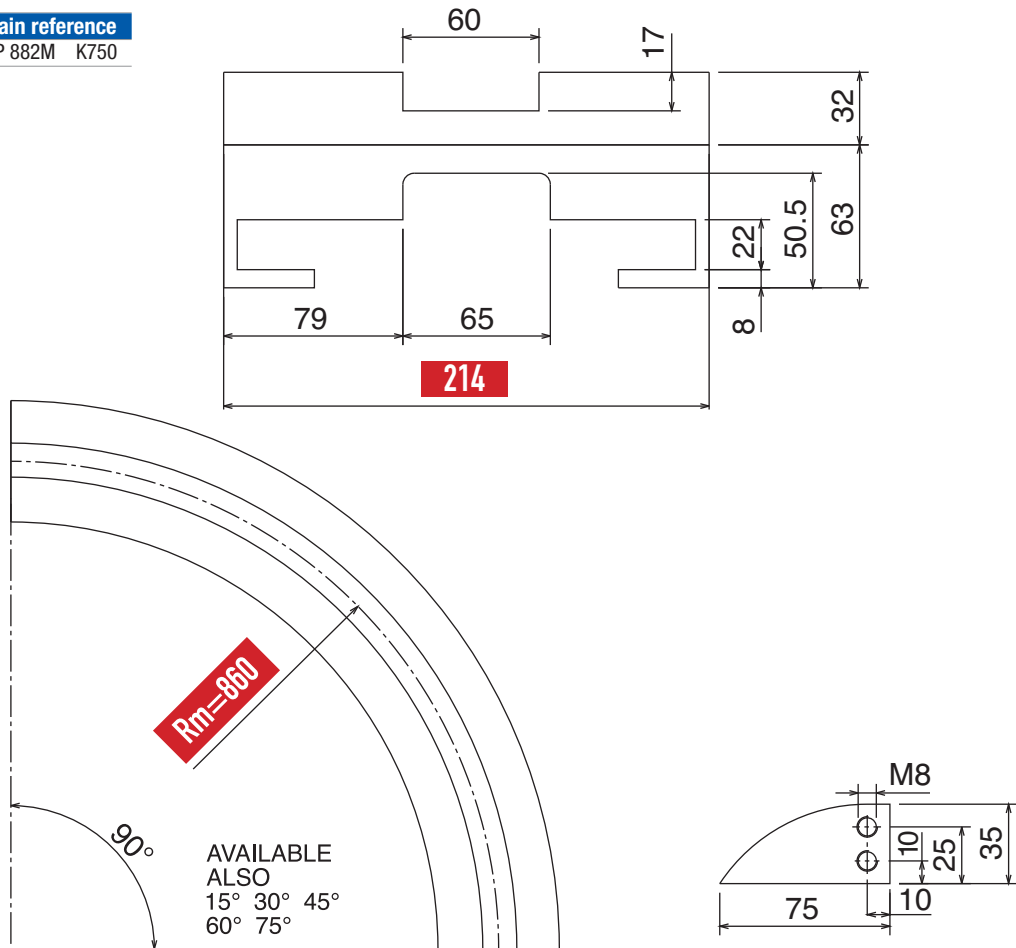
Part	Article-Nr.	Tracks	W
710	71018610RS	1	320



**RS**  
add "RS" for RS-version

Curva Larghezza Base = 214 mm / Curve Basic Width = 214 mm / Kurve Basisbreite = 214 mm

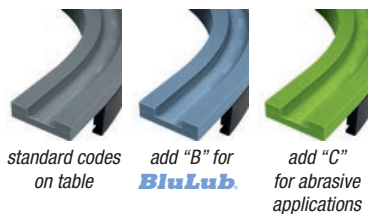
**Chain reference**  
LBP 882M K750



IN & OUT  
AVAILABLE ALSO  
125 mm - 100 mm - 50 mm

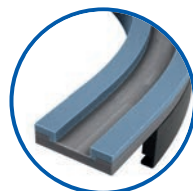
## Magnetic System

Upper part available, on request, also in **BluLub** and for abrasive applications.



Part	Article-Nr.	Tracks	W
781	78118610	1	214

Part	Article-Nr.	Tracks	W
781	78118610RS	1	214

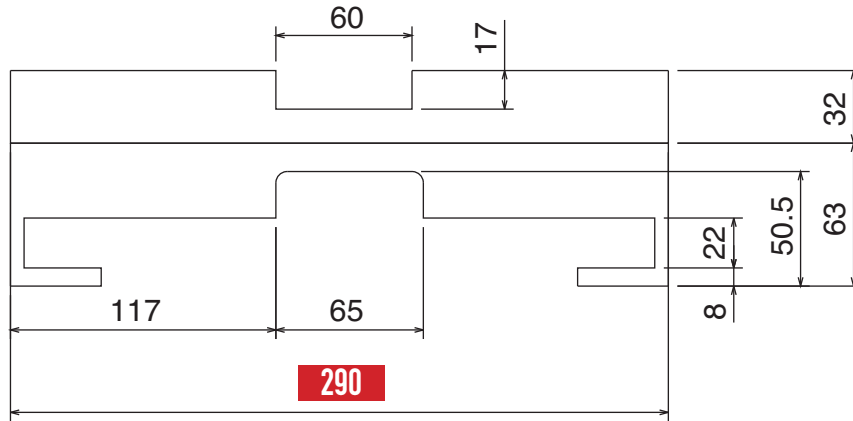


**RS**  
add "RS" for RS-version

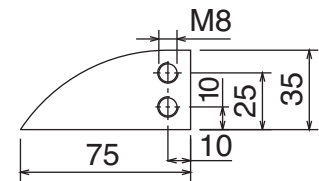
<b>Materiale:</b>	<b>Material:</b>	<b>Materialien:</b>
Polietilene UHMW-PE	Polyethylene UHMW-PE	Polyäthylen UHMW-PE

Curva Larghezza Base = 290 mm / Curve Basic Width = 290 mm / Kurve Basisbreite = 290 mm

**Chain reference**  
LBP 882M K1000

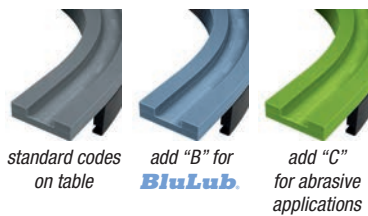


IN & OUT  
AVAILABLE ALSO  
125 mm - 100 mm - 50 mm



## Magnetic System

Upper part available, on request, also in **BluLub** and for abrasive applications.



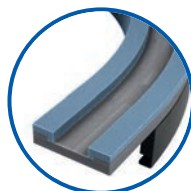
standard codes on table

add "B" for **BluLub**

add "C" for abrasive applications

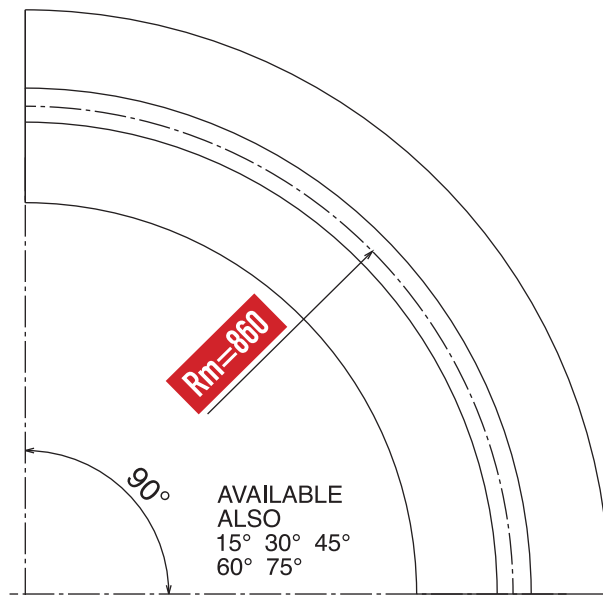
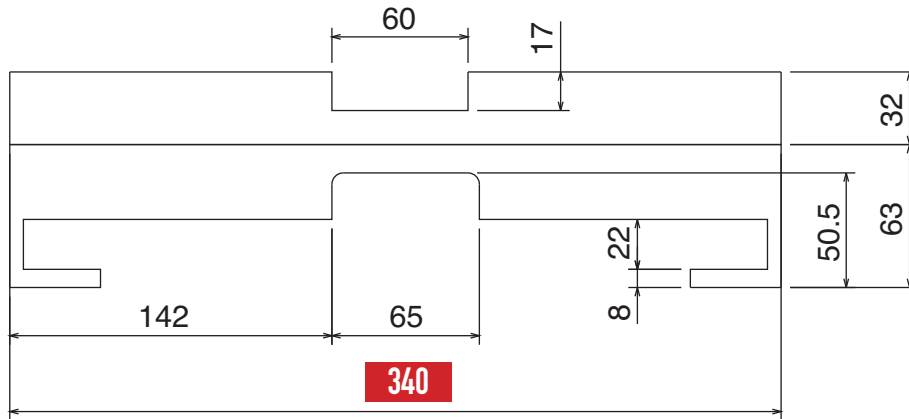
Part	Article-Nr.	Tracks	W
782	78218610	1	290

Part	Article-Nr.	Tracks	W
782	78218610RS	1	290



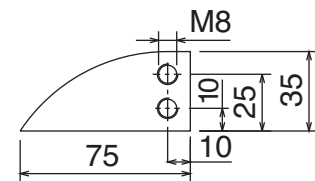
**RS**  
add "RS" for RS-version

Curva Larghezza Base = 340 mm / Curve Basic Width = 340 mm / Kurve Basisbreite = 340 mm



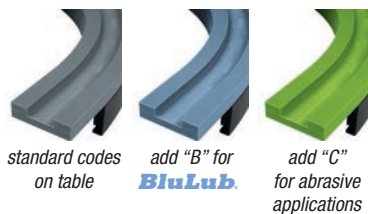
IN & OUT  
AVAILABLE ALSO  
125 mm - 100 mm - 50 mm

**Chain reference**  
LBP 882M K1200



## Magnetic System

Upper part available, on request, also in **BluLub** and for abrasive applications.



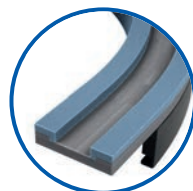
standard codes on table

add "B" for **BluLub**

add "C" for abrasive applications

Part	Article-Nr.	Tracks	W
783	78318610	1	340

Part	Article-Nr.	Tracks	W
783	78318610RS	1	340

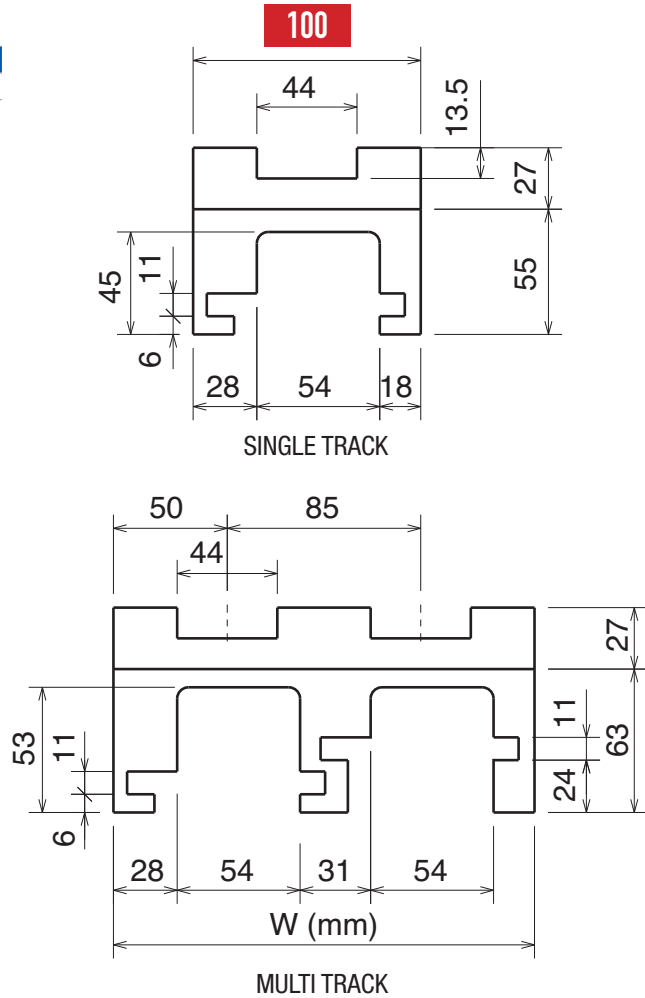
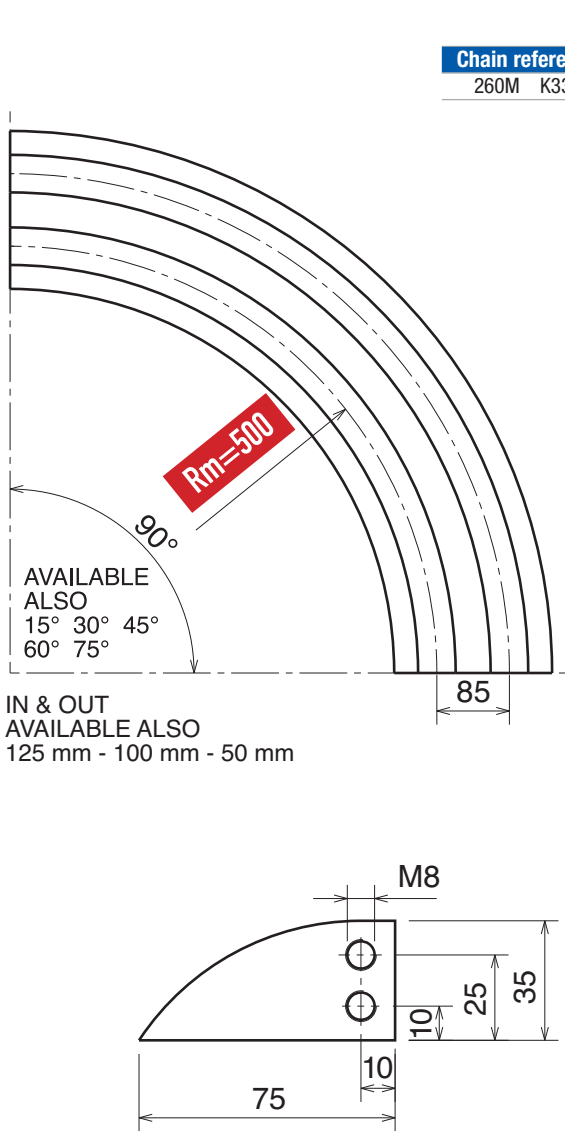


**RS**

add "RS" for RS-version

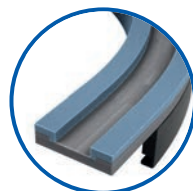
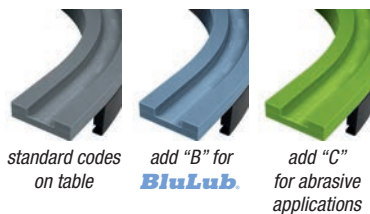
Materiale: Polietilene UHMW-PE    Material: Polyethylene UHMW-PE    Materialien: Polyäthylen UHMW-PE

Curva Larghezza Base = 100 mm; Passo = 85 mm / Curve Basic Width = 100 mm; Pitch = 85 mm / Kurve Basisbreite = 100 mm; Teilung = 85 mm



## Magnetic System

Upper part available, on request, also in **BluLub** and for abrasive applications.

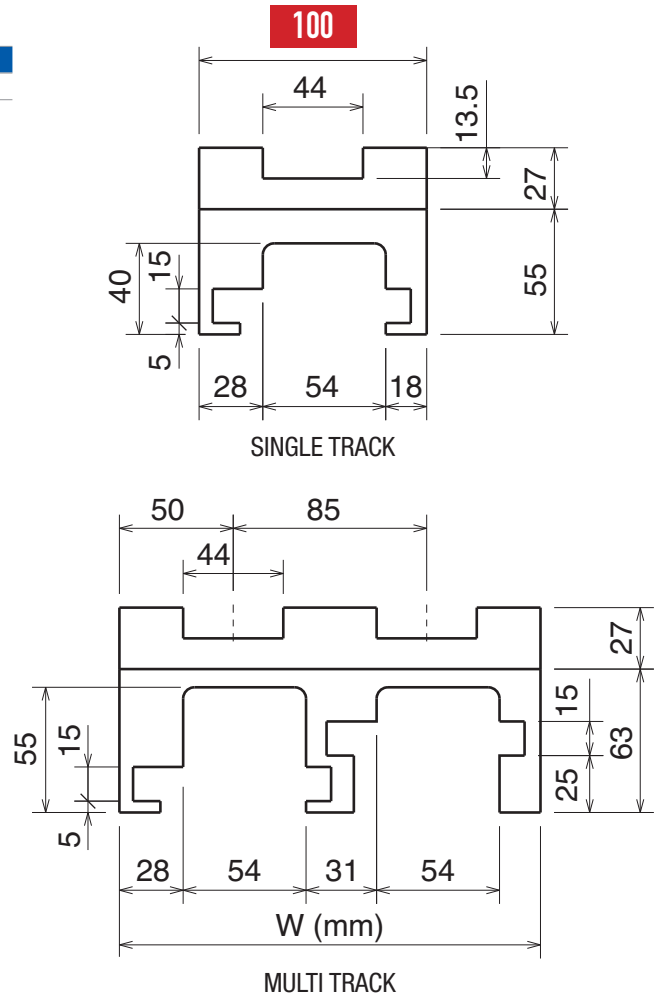
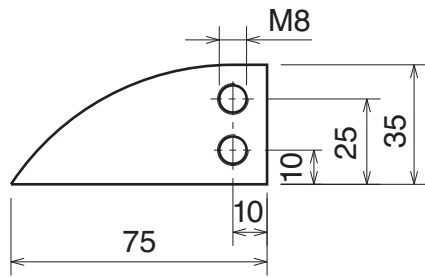
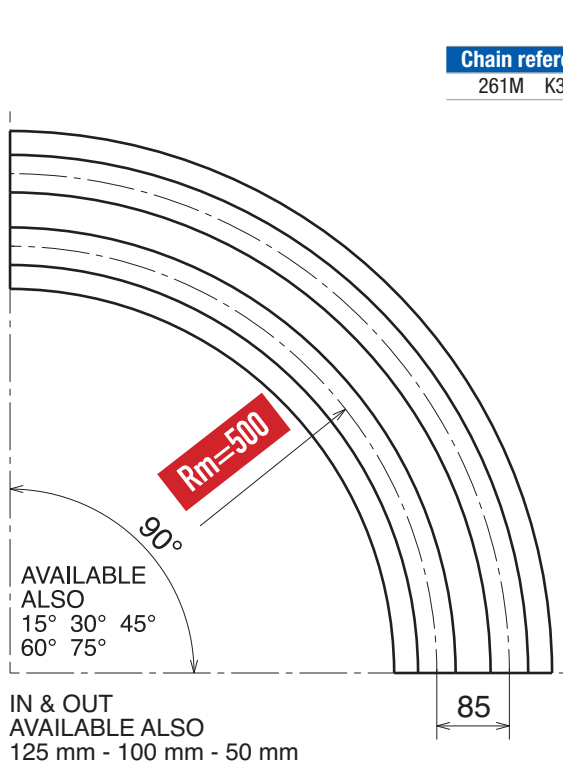


**RS**  
add "RS" for RS-version

Part	Article-Nr.	Tracks	W
705	70511610	1	100
705	70511620	2	185
705	70511630	3	270
705	70511640	4	355
705	70511650	5	440
705	70511660	6	525
705	70511670	7	610
705	70511680	8	695

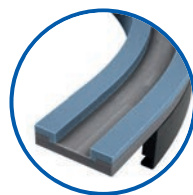
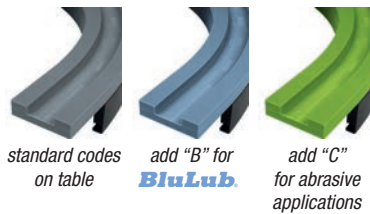
Part	Article-Nr.	Tracks	W
705	70511610RS	1	100
705	70511620RS	2	185
705	70511630RS	3	270
705	70511640RS	4	355
705	70511650RS	5	440
705	70511660RS	6	525
705	70511670RS	7	610
705	70511680RS	8	695

Curva Larghezza Base = 100 mm; Passo = 85 mm / Curve Basic Width = 100 mm; Pitch = 85 mm / Kurve Basisbreite = 100 mm; Teilung = 85 mm



## Magnetic System

Upper part available, on request, also in **BluLub** and for abrasive applications.



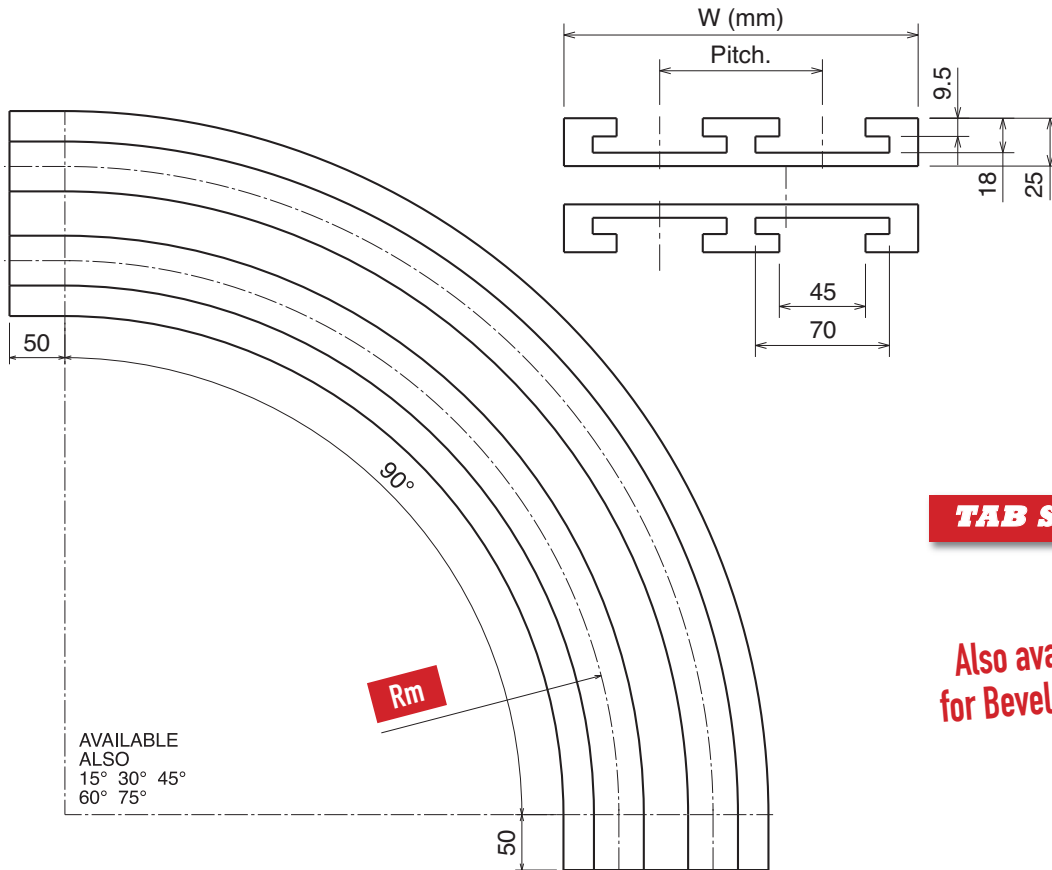
**RS**

add "RS" for RS-version

Part	Article-Nr.	Tracks	W
706	70611610	1	100
706	70611620	2	185
706	70611630	3	270
706	70611640	4	355
706	70611650	5	440
706	70611660	6	525
706	70611670	7	610
706	70611680	8	695

Part	Article-Nr.	Tracks	W
706	70611610RS	1	100
706	70611620RS	2	185
706	70611630RS	3	270
706	70611640RS	4	355
706	70611650RS	5	440
706	70611660RS	6	525
706	70611670RS	7	610
706	70611680RS	8	695

Curva 880-881 TAB K325-K450-K750 / Curve 880-881 TAB K325-K450-K750 / Kurve 880-881 TAB K325-K450-K750

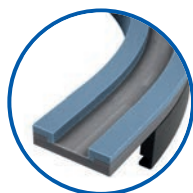
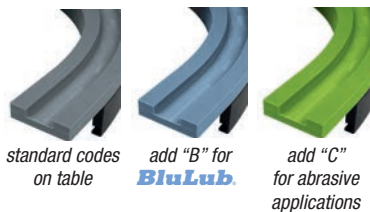


**TAB System**

Also available  
for Bevel system

AVAILABLE  
ALSO  
15° 30° 45°  
60° 75°

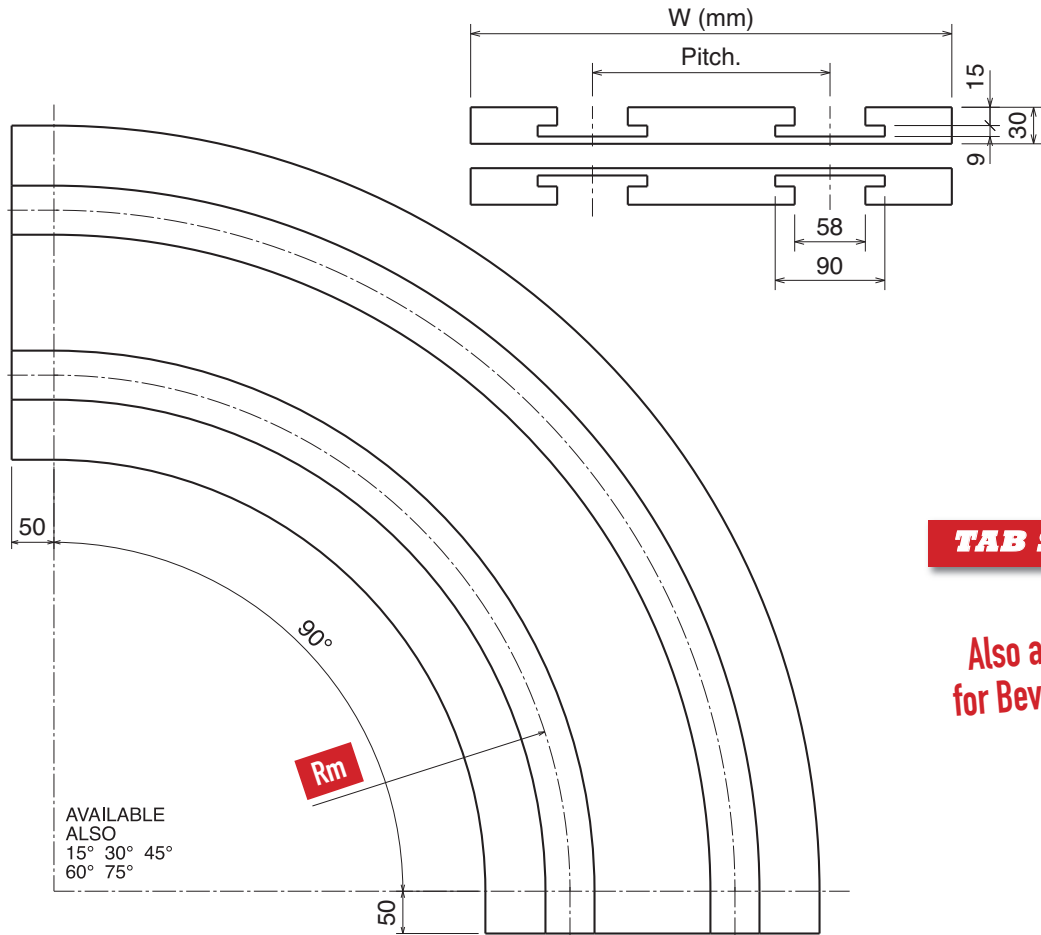
Upper part available, on request,  
also in **BluLub**  
and for abrasive applications.



**RS**  
add "RS" for RS-version

Part	Article-Nr.	Tracks	W	Rm	Pitch
<b>K325</b>					
720	72021612	1	100	500	85
720	72021622	2	185		
720	72021632	3	270		
720	72021642	4	355		
720	72021652	5	440		
720	72021662	6	525		
<b>K450</b>					
721	72123612	1	130	610	120
721	72123622	2	250		
721	72123632	3	370		
721	72123642	4	490		
721	72123652	5	610		
721	72123662	6	720		
<b>K750</b>					
722	72223612	1	200	610	195
722	72223622	2	395		
722	72223632	3	590		
722	72223642	4	785		

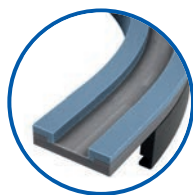
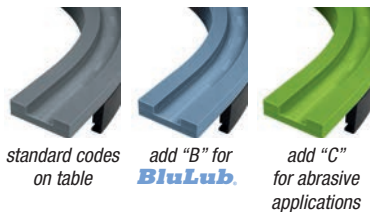
Curva 882 TAB K750-K1000-K1200 / Curve 882 TAB K750-K1000-K1200 / Kurve 882 TAB K750-K1000-K1200



**TAB System**

Also available  
for Bevel system

Upper part available, on request,  
also in **BluLub**  
and for abrasive applications.



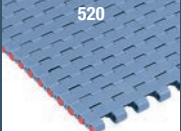
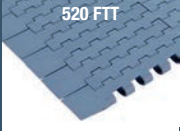
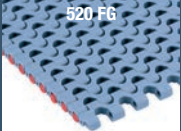
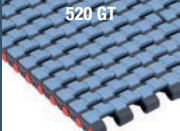


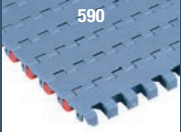
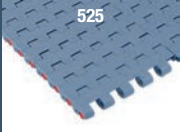

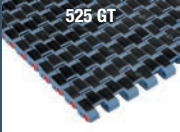
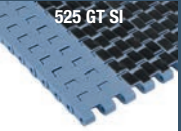
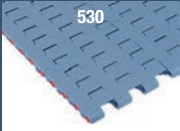
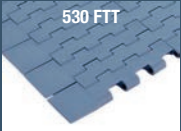
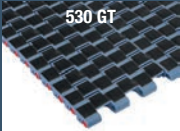
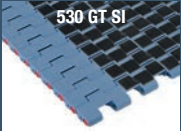
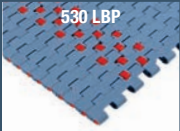


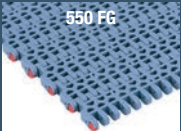
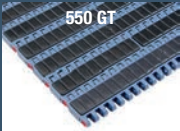
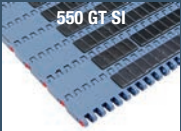
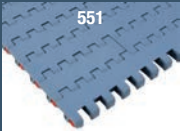
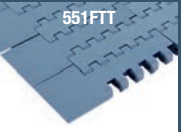
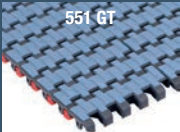

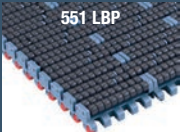
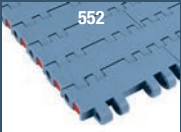

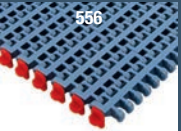
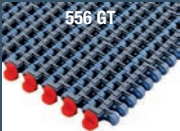
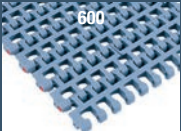








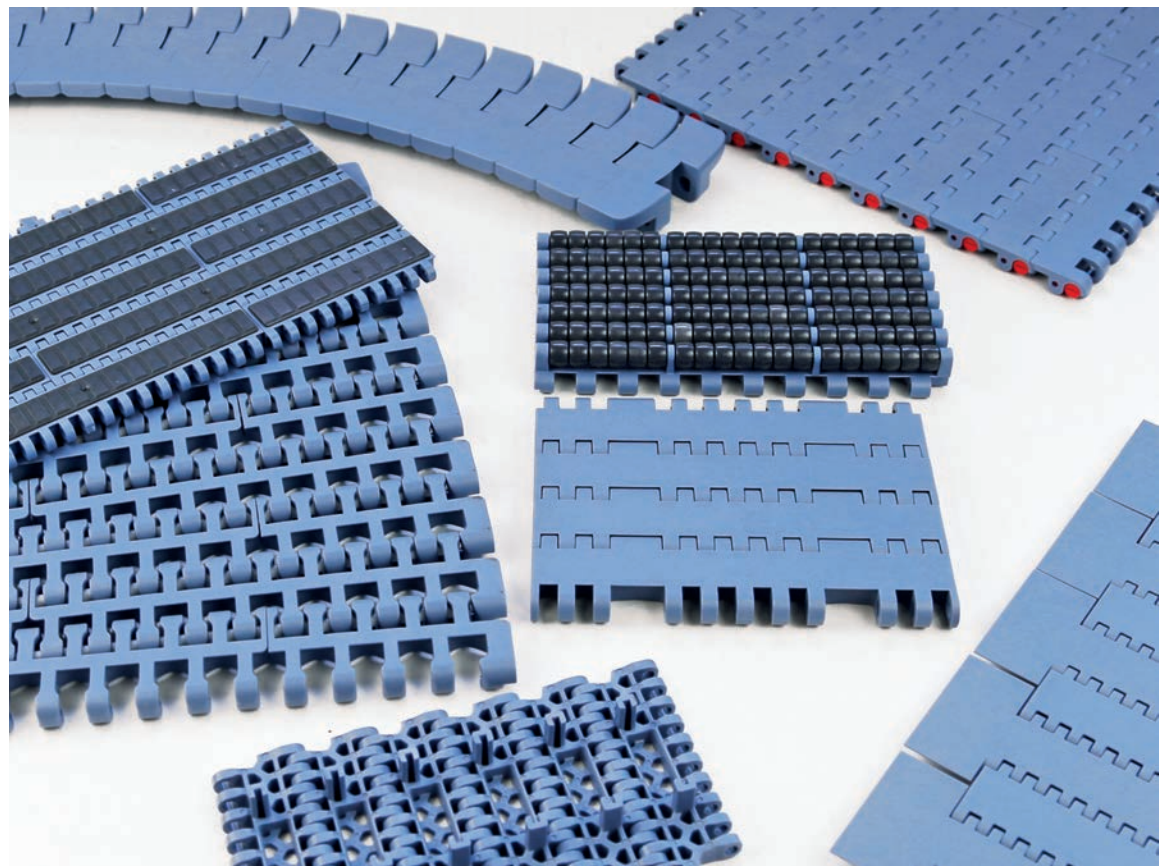
**RS**  
add "RS" for RS-version

Part	Article-Nr.	Tracks	W	Rm	Pitch
<b>K750</b>					
723	72323612	1	200	610	195
723	72323622	2	395		
723	72323632	3	590		
723	72323642	4	785		
<b>K1000</b>					
724	72423612	1	270	610	260
724	72423622	2	530		
724	72423632	3	790		
724	72423642	4	1050		
<b>K1200</b>					
725	72523612	1	320	610	310
725	72523622	2	630		
725	72523632	3	940		
725	72523642	4	1250		



# modular belts

 510 pag. 104	 228 pag. 105	 520 pag. 106	 520 FTT pag. 107	 520 FG pag. 108	 520 GT pag. 109
 520 LBP pag. 110	 521 pag. 111	 590 pag. 112	 525 pag. 113	 525 FTT pag. 114	 525 GT pag. 115
 525 GT SI pag. 116	 530 pag. 117	 530 FTT pag. 118	 530 GT pag. 119	 530 GT SI pag. 120	 530 LBP pag. 121
 550 pag. 122	 550 FTT pag. 123	 550 FG pag. 124	 550 GT pag. 125	 550 GT SI pag. 126	 551 pag. 127
 551 FTT pag. 128	 551 GT pag. 129	 551 GT SI pag. 130	 551 LBP pag. 131	 552 pag. 132	 552 FTT pag. 133
 556 pag. 134	 556 GT pag. 135	 600 pag. 136	 500 RR pag. 137	 389 pag. 138	 260 M pag. 139
 260 M FG pag. 140	 260 TAB pag. 141	 261 M pag. 142			



# 510FT

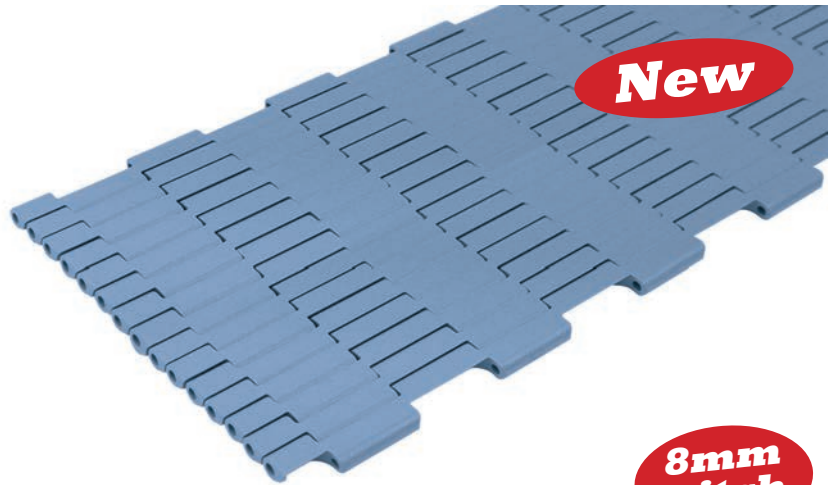
Tappeto Modulare  
Modular Belt  
Modulare Mattenkette

**Imperial  
Sizes**

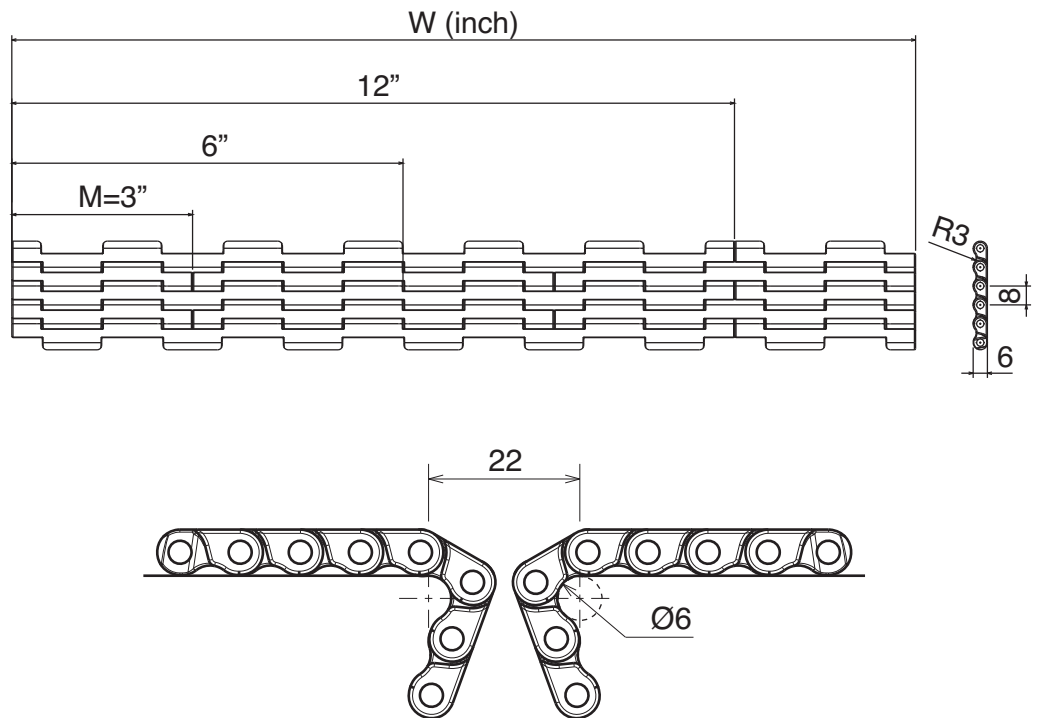
Tappeto Modulare 510 FT, H=6 M=3" / Modular Belt Series 510 FT, H=6 M=3" / Modulare Mattenkette 510 FT, H=6 M=3"

**VERSION A - STANDARD**

CODE STRUCTURE GUIDE			
<b>5331</b>	<b>01</b>	<b>0012</b>	<b>A</b>
<i>Series</i>	<i>Material</i>	<i>Width</i>	<i>Version</i>



**8mm  
pitch**



**\* Material**

**01 LFA - Low Friction Acetal**

Max w. load: 3000 N/m  
Weight: 5,8 kg/m<sup>2</sup>  
Temp. range: dry -40÷80 °C  
wet -40÷65 °C  
Pin material: PBT white

**03 MX - Performance PBT**

Max w. load: 2700 N/m  
Weight: 5,5 kg/m<sup>2</sup>  
Temp. range: dry -40÷120 °C  
wet -40÷60 °C  
Pin material: POM grey

Series	Material	Width	Version
5331	*	0003	A
5331	*	0006	A
5331	*	0009	A
5331	*	0012	A
5331	*	0015	A
5331	*	0018	A
5331	*	0021	A

Series	Material	Width	Version
5331	*	0024	A
5331	*	0027	A
5331	*	0030	A
5331	*	0033	A
5331	*	0036	A
5331	*	0039	A



Materiale:	Material:	Materialien:
UHMW-PE	UHMW-PE	UHMW-PE

Used with belt series  
520-521-525-530

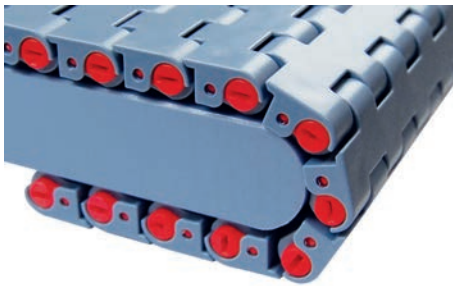
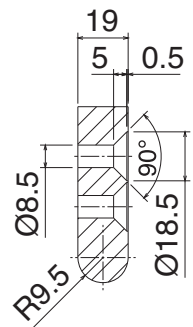
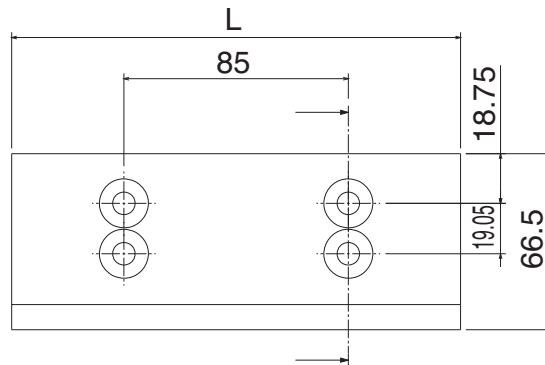
Piatto di trasferimento / Transfer Plate / Überschubplatte

Part	Article-Nr.	L	Type
228	22801	85	A
228	22802	170	A
228	22803	255	A
228	22804	85	B
228	22805	170	B
228	22806	255	B

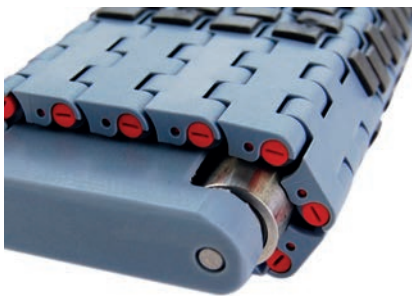
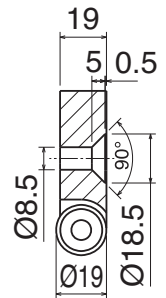
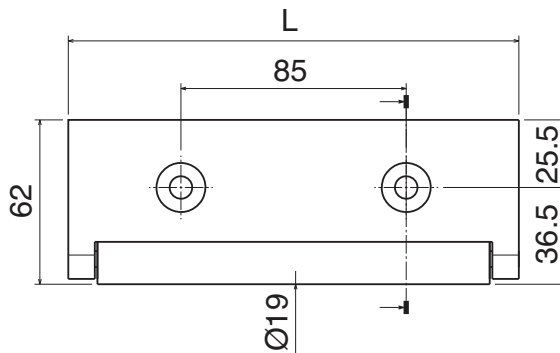
Available in different widths on request



TYPE A



TYPE B - WITH SUPPORTED ROLLER



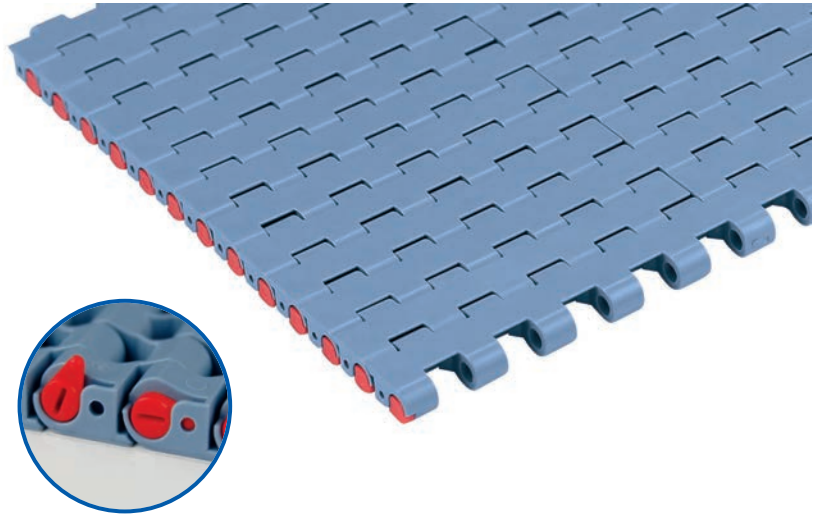
Belt type 1	Belt type 2	A
FT / FG	FT / FG	40
FT / FG	GT	42
FT / FG	LBP	53
GT	GT	44
GT	LBP	55
LBP	LBP	65



Tappeto Modulare 520 FT, H=8,7 M=85 / Modular Belt Series 520 FT, H=8,7 M=85 / Modulare Mattenkette 520 FT, H=8,7 M=85

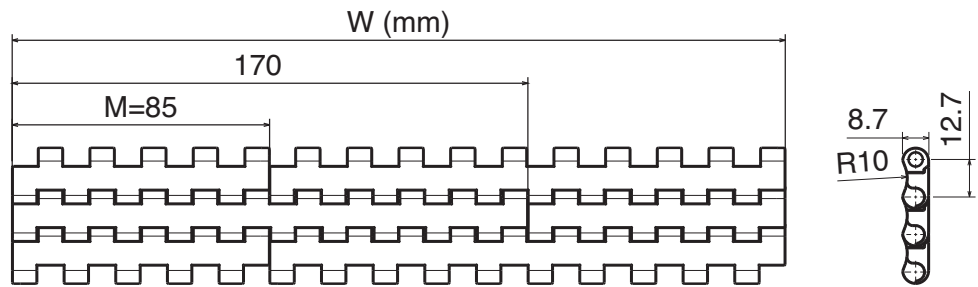
Series	Material	Width	Version
5201	*	0085	A
5201	*	0170	A
5201	*	0255	A
5201	*	0340	A
5201	*	0425	A
5201	*	0510	A
5201	*	0595	A
5201	*	0680	A
5201	*	0765	A

Series	Material	Width	Version
5201	*	0850	A
5201	*	0935	A
5201	*	1020	A
5201	*	1105	A
5201	*	1190	A
5201	*	1275	A
5201	*	1360	A
5201	*	1445	A
5201	*	1530	A



CODE STRUCTURE GUIDE			
5201	03	0340	C
Series	Material	Width	Version

VERSION A - STANDARD



**\* Material**

**01 LFA - Low Friction Acetal**  
 Max w. load: 21500 N/m  
 Weight: 7,8 kg/m<sup>2</sup>  
 Temp. range: dry -40÷80 °C  
 wet -40÷65 °C  
 Pin material: PBT white

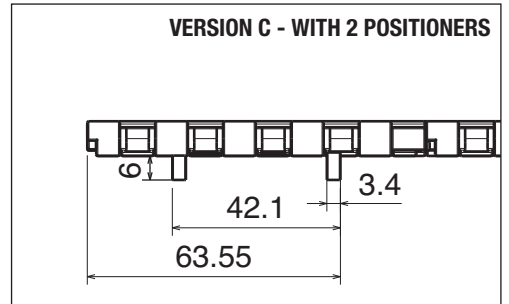
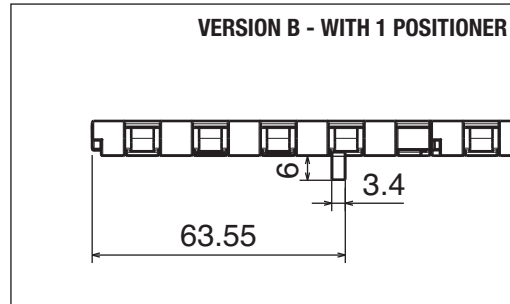
**03 MX - Performance PBT**  
 Max w. load: 17500 N/m  
 Weight: 7,5 kg/m<sup>2</sup>  
 Temp. range: dry -40÷120 °C  
 wet -40÷60 °C  
 Pin material: POM grey

**08 MK Super Performance Acetal**  
 Max w. load: 20700 N/m  
 Weight: 7,8 kg/m<sup>2</sup>  
 Temp. range: dry -40÷80 °C  
 wet -40÷65 °C  
 Pin material: PBT white

**13 MP - Lubricated Acetal**  
 Max w. load: 21500 N/m  
 Weight: 7,8 kg/m<sup>2</sup>  
 Temp. range: dry -40÷80 °C  
 wet -40÷65 °C  
 Pin material: PBT white

**16 DKM Aramide Reinforced Acetal**  
 Max w. load: 21500 N/m  
 Weight: 7,8 kg/m<sup>2</sup>  
 Temp. range: dry -40÷80 °C  
 wet -40÷65 °C  
 Pin material: PBT white

**17 MWX Polyamide Composite**  
 Max w. load: 21500 N/m  
 Weight: 8,1 kg/m<sup>2</sup>  
 Temp. range: dry -40÷104 °C  
 wet NR  
 Pin material: PBT white



Series	Material	Width	Version
5201	*	0085	B
5201	*	0170	B
5201	*	0255	B
5201	*	0340	B
5201	*	0425	B
5201	*	0510	B
5201	*	0595	B
5201	*	0680	B
5201	*	0765	B

Series	Material	Width	Version
5201	*	0850	B
5201	*	0935	B
5201	*	1020	B
5201	*	1105	B
5201	*	1190	B
5201	*	1275	B
5201	*	1360	B
5201	*	1445	B
5201	*	1530	B

Series	Material	Width	Version
5201	*	0085	C
5201	*	0170	C
5201	*	0255	C
5201	*	0340	C
5201	*	0425	C
5201	*	0510	C
5201	*	0595	C
5201	*	0680	C
5201	*	0765	C

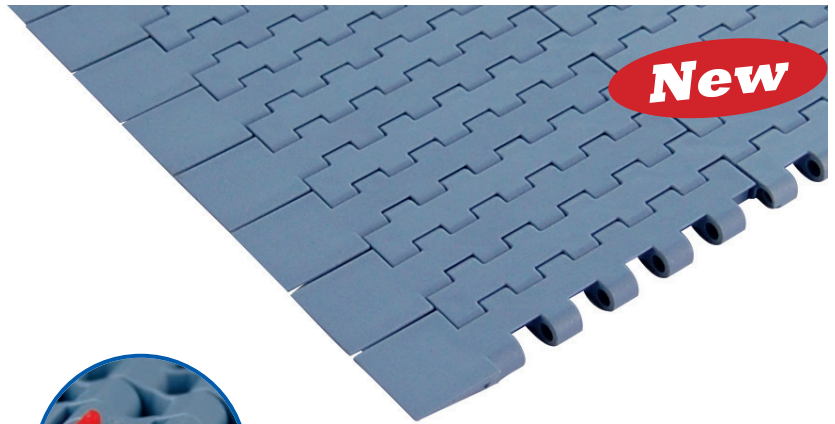
Series	Material	Width	Version
5201	*	0850	C
5201	*	0935	C
5201	*	1020	C
5201	*	1105	C
5201	*	1190	C
5201	*	1275	C
5201	*	1360	C
5201	*	1445	C
5201	*	1530	C





Tappeto Modulare 520 FTT, H=8,7 M=85 / Modular Belt Series 520 FTT, H=8,7 M=85 / Modulare Mattenkette 520 FTT, H=8,7 M=85

Series	Material	Width	Version
5206	*	0085	C
5206	*	0170	CN
5206	*	0255	CN
5206	*	0170	CO
5206	*	0255	CO



CODE STRUCTURE GUIDE			
5206	01	0170	C
Series	Material	Width	Version

**\* Material**

**01 LFA - Low Friction Acetal**

Max w. load: 21500 N/m  
Weight: 7,8 kg/m<sup>2</sup>  
Temp. range: dry -40÷80 °C  
wet -40÷65 °C  
Pin material: PBT white

**03 MX - Performance PBT**

Max w. load: 17500 N/m  
Weight: 7,5 kg/m<sup>2</sup>  
Temp. range: dry -40÷120 °C  
wet -40÷60 °C  
Pin material: POM grey

**08 MK Super Performance Acetal**

Max w. load: 20700 N/m  
Weight: 7,8 kg/m<sup>2</sup>  
Temp. range: dry -40÷80 °C  
wet -40÷65 °C  
Pin material: PBT white

**13 MP - Lubricated Acetal**

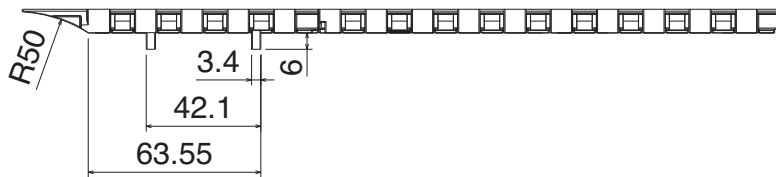
Max w. load: 21500 N/m  
Weight: 7,8 kg/m<sup>2</sup>  
Temp. range: dry -40÷80 °C  
wet -40÷65 °C  
Pin material: PBT white

**16 DKM Aramide Reinforced Acetal**

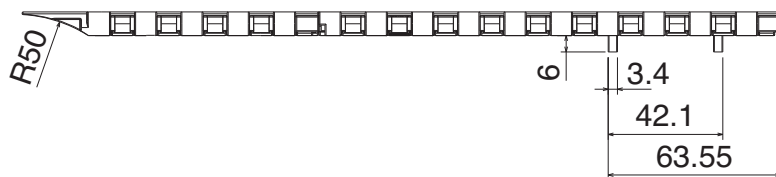
Max w. load: 21500 N/m  
Weight: 7,8 kg/m<sup>2</sup>  
Temp. range: dry -40÷80 °C  
wet -40÷65 °C  
Pin material: PBT white

**17 MWX Polyamide Composite**

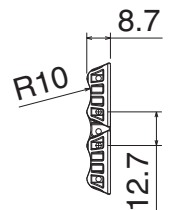
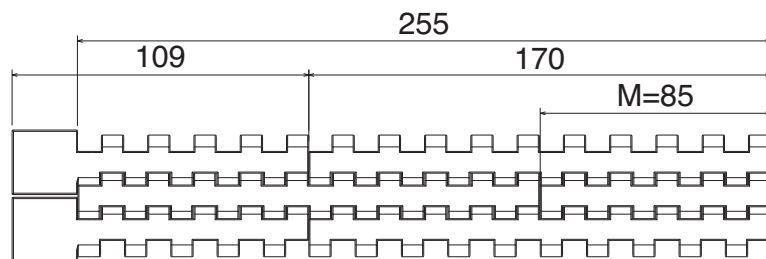
Max w. load: 21500 N/m  
Weight: 8,1 kg/m<sup>2</sup>  
Temp. range: dry -40÷104 °C  
wet NR  
Pin material: PBT white



VERSION CN  
(Near)



VERSION CO  
(Opposite)

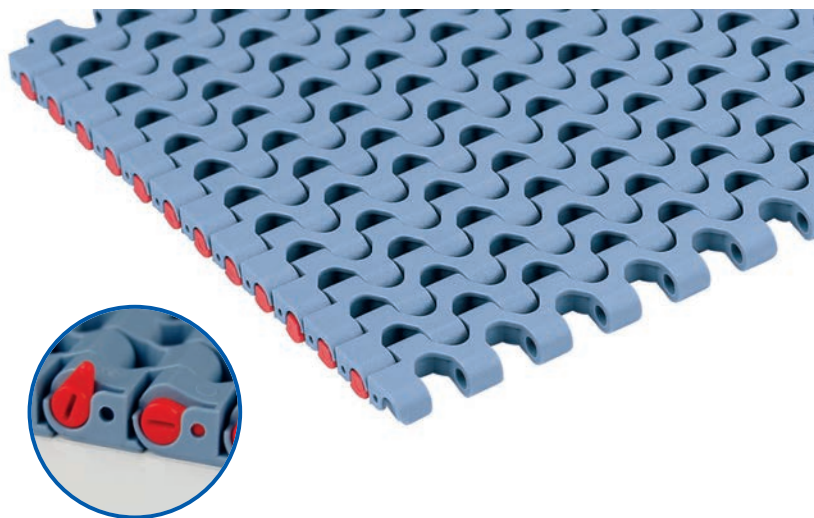




Tappeto Modulare 520 FG, H=8,7 M=85 / Modular Belt Series 520 FG, H=8,7 M=85 / Modulare Mattenkette 520 FG, H=8,7 M=85

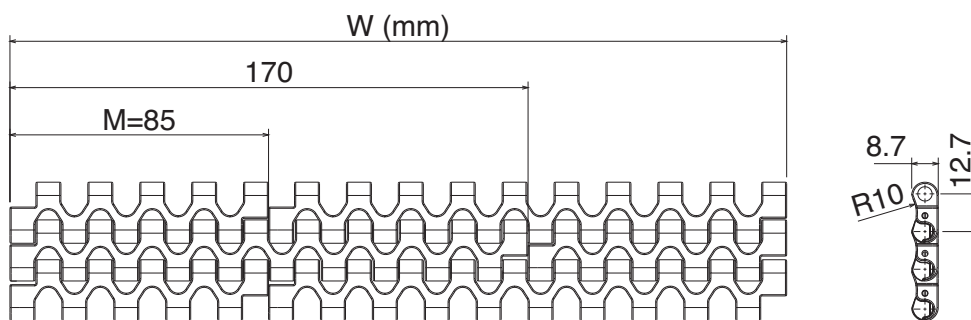
Series	Material	Width	Version
5202	*	0085	A
5202	*	0170	A
5202	*	0255	A
5202	*	0340	A
5202	*	0425	A
5202	*	0510	A
5202	*	0595	A
5202	*	0680	A
5202	*	0765	A

Series	Material	Width	Version
5202	*	0850	A
5202	*	0935	A
5202	*	1020	A
5202	*	1105	A
5202	*	1190	A
5202	*	1275	A
5202	*	1360	A
5202	*	1445	A
5202	*	1530	A



CODE STRUCTURE GUIDE			
5202	01	0765	A
Series	Material	Width	Version

VERSION A - STANDARD



**\* Material**

**01 LFA - Low Friction Acetal**

Max w. load: 21500 N/m  
Weight: 7,5 kg/m<sup>2</sup>  
Temp. range: dry -40÷80 °C  
wet -40÷65 °C  
Pin material: PBT white

**03 MX - Performance PBT**

Max w. load: 17500 N/m  
Weight: 7,2 kg/m<sup>2</sup>  
Temp. range: dry -40÷120 °C  
wet -40÷60 °C  
Pin material: POM grey

**08 MK Super Performance Acetal**

Max w. load: 20700 N/m  
Weight: 7,5 kg/m<sup>2</sup>  
Temp. range: dry -40÷80 °C  
wet -40÷65 °C  
Pin material: PBT white

**13 MP - Lubricated Acetal**

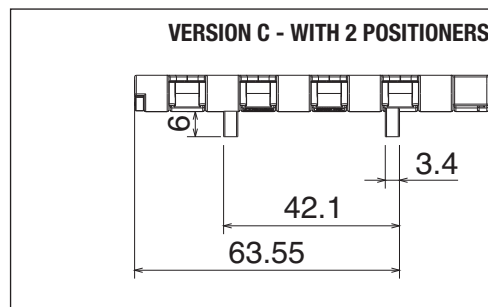
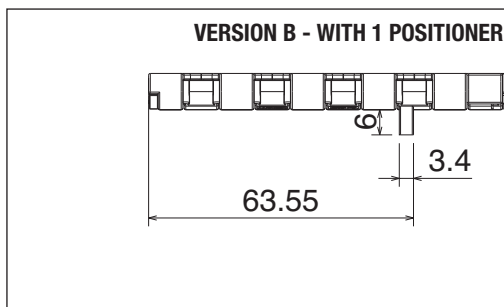
Max w. load: 21500 N/m  
Weight: 7,5 kg/m<sup>2</sup>  
Temp. range: dry -40÷80 °C  
wet -40÷65 °C  
Pin material: PBT white

**16 DKM Aramide Reinforced Acetal**

Max w. load: 21500 N/m  
Weight: 7,5 kg/m<sup>2</sup>  
Temp. range: dry -40÷80 °C  
wet -40÷65 °C  
Pin material: PBT white

**17 MWX Polyamide Composite**

Max w. load: 21500 N/m  
Weight: 7,8 kg/m<sup>2</sup>  
Temp. range: dry -40÷104 °C  
wet NR  
Pin material: PBT white



Series	Material	Width	Version
5202	*	0085	B
5202	*	0170	B
5202	*	0255	B
5202	*	0340	B
5202	*	0425	B
5202	*	0510	B
5202	*	0595	B
5202	*	0680	B
5202	*	0765	B

Series	Material	Width	Version
5202	*	0850	B
5202	*	0935	B
5202	*	1020	B
5202	*	1105	B
5202	*	1190	B
5202	*	1275	B
5202	*	1360	B
5202	*	1445	B
5202	*	1530	B

Series	Material	Width	Version
5202	*	0085	C
5202	*	0170	C
5202	*	0255	C
5202	*	0340	C
5202	*	0425	C
5202	*	0510	C
5202	*	0595	C
5202	*	0680	C
5202	*	0765	C

Series	Material	Width	Version
5202	*	0850	C
5202	*	0935	C
5202	*	1020	C
5202	*	1105	C
5202	*	1190	C
5202	*	1275	C
5202	*	1360	C
5202	*	1445	C
5202	*	1530	C

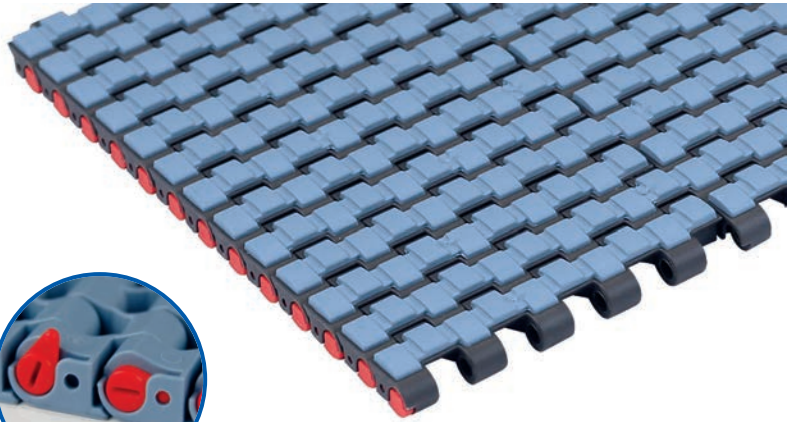
OPEN SURFACE: 25%





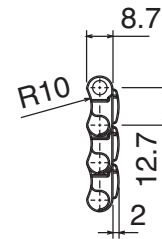
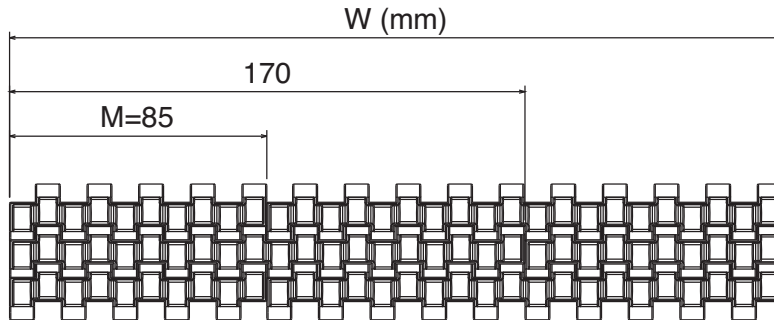
Tappeto Modulare 520 GT, H=8,7 M=85 / Modular Belt Series 520 GT, H=8,7 M=85 / Modulare Mattenkette 520 GT, H=8,7 M=85

Series	Material	Width	Version	Series	Material	Width	Version
5203	*	0085	A	5203	*	0850	A
5203	*	0170	A	5203	*	0935	A
5203	*	0255	A	5203	*	1020	A
5203	*	0340	A	5203	*	1105	A
5203	*	0425	A	5203	*	1190	A
5203	*	0510	A	5203	*	1275	A
5203	*	0595	A	5203	*	1360	A
5203	*	0680	A	5203	*	1445	A
5203	*	0765	A	5203	*	1530	A



CODE STRUCTURE GUIDE			
5203	02	0510	B
Series	Material	Width	Version

VERSION A - STANDARD



\* Material

**01 LFA - Low Friction Acetal**

Max w. load: 21500 N/m  
Weight: 9,0 kg/m<sup>2</sup>  
Temp. range: dry -40÷80 °C  
wet -40÷65 °C  
Pin material: PBT white  
Hardness: 75 ShA

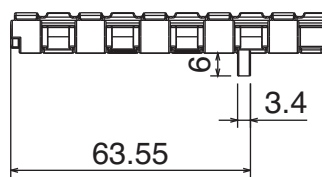
**02 PP Polypropylene**

Max w. load: 13000 N/m  
Weight: 7,5 kg/m<sup>2</sup>  
Temp. range: dry 4÷80 °C  
wet 4÷65 °C  
Pin material: PP blu  
Hardness: 75 ShA

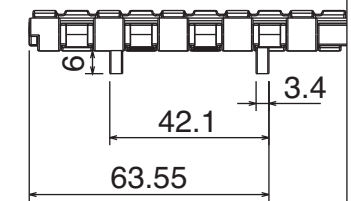
**03 MX - Performance PBT**

Max w. load: 17500 N/m  
Weight: 9,3 kg/m<sup>2</sup>  
Temp. range: dry -40÷120 °C  
wet -40÷60 °C  
Pin material: POM grey  
Hardness: 75 ShA

VERSION B - WITH 1 POSITIONER



VERSION C - WITH 2 POSITIONERS



Series	Material	Width	Version
5203	*	0085	B
5203	*	0170	B
5203	*	0255	B
5203	*	0340	B
5203	*	0425	B
5203	*	0510	B
5203	*	0595	B
5203	*	0680	B
5203	*	0765	B

Series	Material	Width	Version
5203	*	0850	B
5203	*	0935	B
5203	*	1020	B
5203	*	1105	B
5203	*	1190	B
5203	*	1275	B
5203	*	1360	B
5203	*	1445	B
5203	*	1530	B

Series	Material	Width	Version
5203	*	0085	C
5203	*	0170	C
5203	*	0255	C
5203	*	0340	C
5203	*	0425	C
5203	*	0510	C
5203	*	0595	C
5203	*	0680	C
5203	*	0765	C

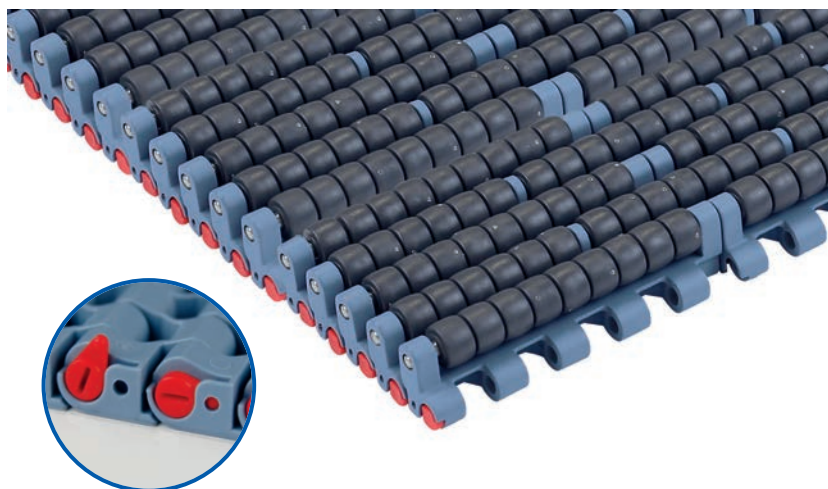
Series	Material	Width	Version
5203	*	0850	C
5203	*	0935	C
5203	*	1020	C
5203	*	1105	C
5203	*	1190	C
5203	*	1275	C
5203	*	1360	C
5203	*	1445	C
5203	*	1530	C





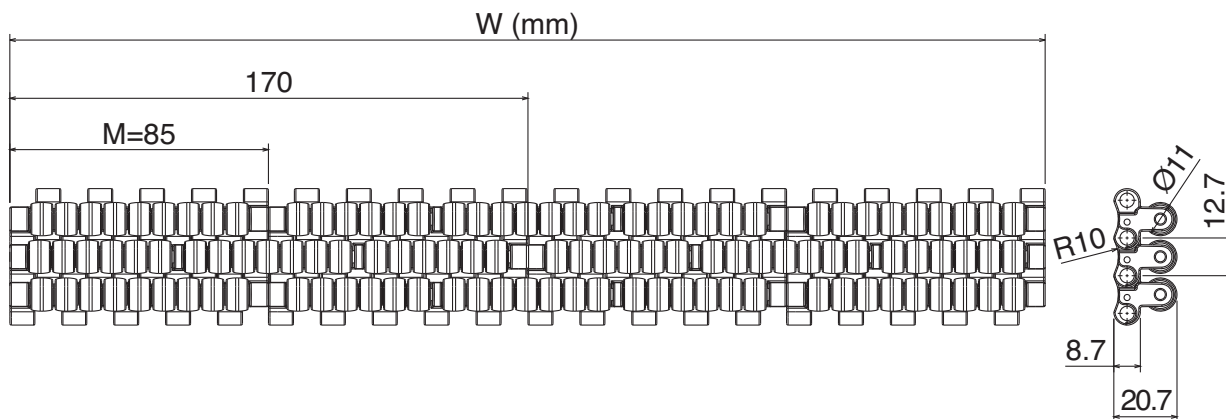
Tappeto Modulare 520 LBP, H=8,7 M=85 / Modular Belt Series 520 LBP, H=8,7 M=85 / Modulare Mattenkette 520 LBP, H=8,7 M=85

Series	Material	Width	Version	Series	Material	Width	Version
5204	*	0085	A	5204	*	0850	A
5204	*	0170	A	5204	*	0935	A
5204	*	0255	A	5204	*	1020	A
5204	*	0340	A	5204	*	1105	A
5204	*	0425	A	5204	*	1190	A
5204	*	0510	A	5204	*	1275	A
5204	*	0595	A	5204	*	1360	A
5204	*	0680	A	5204	*	1445	A
5204	*	0765	A	5204	*	1530	A

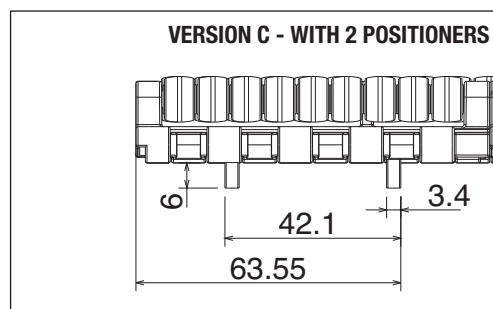
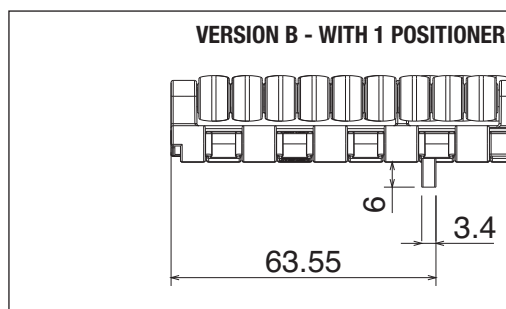


CODE STRUCTURE GUIDE			
5204	01	1530	C
Series	Material	Width	Version

**VERSION A - STANDARD**



* Material	
<b>01 LFA - Low Friction Acetal</b>	
Max w. load:	21500 N/m
Weight:	24,0 kg/m <sup>2</sup>
Temp. range:	dry -40÷80 °C wet 1÷65 °C
Pin material:	PBT white



Series	Material	Width	Version
5204	*	0085	B
5204	*	0170	B
5204	*	0255	B
5204	*	0340	B
5204	*	0425	B
5204	*	0510	B
5204	*	0595	B
5204	*	0680	B
5204	*	0765	B

Series	Material	Width	Version
5204	*	0850	B
5204	*	0935	B
5204	*	1020	B
5204	*	1105	B
5204	*	1190	B
5204	*	1275	B
5204	*	1360	B
5204	*	1445	B
5204	*	1530	B

Series	Material	Width	Version
5204	*	0085	C
5204	*	0170	C
5204	*	0255	C
5204	*	0340	C
5204	*	0425	C
5204	*	0510	C
5204	*	0595	C
5204	*	0680	C
5204	*	0765	C

Series	Material	Width	Version
5204	*	0850	C
5204	*	0935	C
5204	*	1020	C
5204	*	1105	C
5204	*	1190	C
5204	*	1275	C
5204	*	1360	C
5204	*	1445	C
5204	*	1530	C



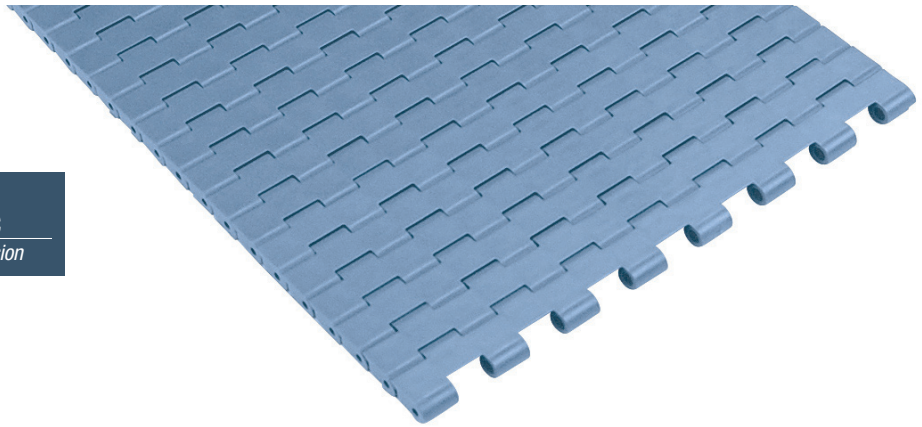




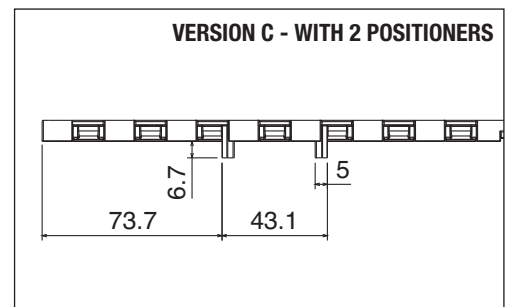
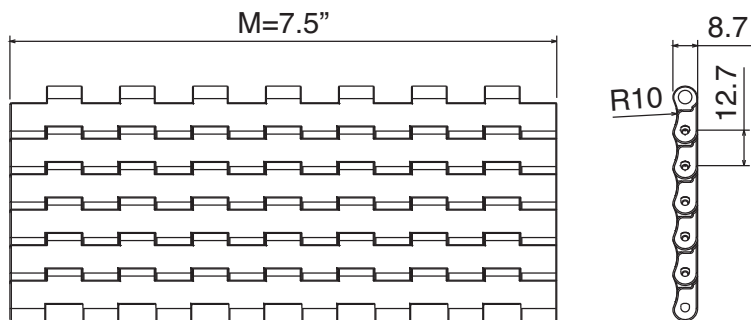
Tappeto Modulare 521 FT, H=8,7 M=7,5" / Modular Belt Series 521 FT, H=8,7 M=7,5" / Modulare Mattenkette 521 FT, H=8,7 M=7,5"

Series	Material	Width	Version
5311	*	9750	A

CODE STRUCTURE GUIDE			
5311	01	9750	C
Series	Material	Width	Version



VERSION A - STANDARD



* Material	
<b>01 LFA - Low Friction Acetal</b>	
Max w. load:	21500 N/m
Weight:	8,0 kg/m <sup>2</sup>
Temp. range:	dry -40÷80 °C wet -40÷65 °C
Pin material:	PBT white
<b>03 MX - Performance PBT</b>	
Max w. load:	17500 N/m
Weight:	7,8 kg/m <sup>2</sup>
Temp. range:	dry -40÷120 °C wet -40÷60 °C
Pin material:	POM grey
<b>08 MK Super Performance Acetal</b>	
Max w. load:	20700 N/m
Weight:	8,0 kg/m <sup>2</sup>
Temp. range:	dry -40÷80 °C wet -40÷65 °C
Pin material:	PBT white
<b>13 MP - Lubricated Acetal</b>	
Max w. load:	21500 N/m
Weight:	8,0 kg/m <sup>2</sup>
Temp. range:	dry -40÷80 °C wet -40÷65 °C
Pin material:	PBT white
<b>16 DKM Aramide Reinforced Acetal</b>	
Max w. load:	21500 N/m
Weight:	8,0 kg/m <sup>2</sup>
Temp. range:	dry -40÷80 °C wet -40÷65 °C
Pin material:	PBT white
<b>17 MWX Polyamide Composite</b>	
Max w. load:	21500 N/m
Weight:	8,3 kg/m <sup>2</sup>
Temp. range:	dry -40÷104 °C wet NR
Pin material:	PBT white

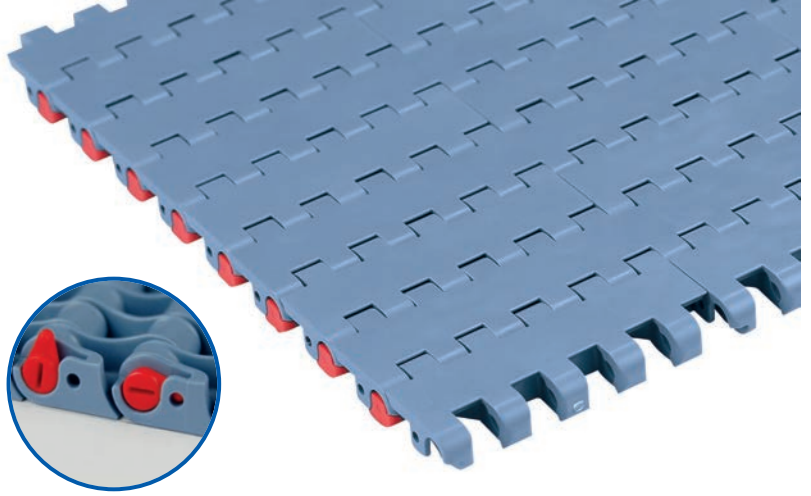
Series	Material	Width	Version
5311	*	9750	C





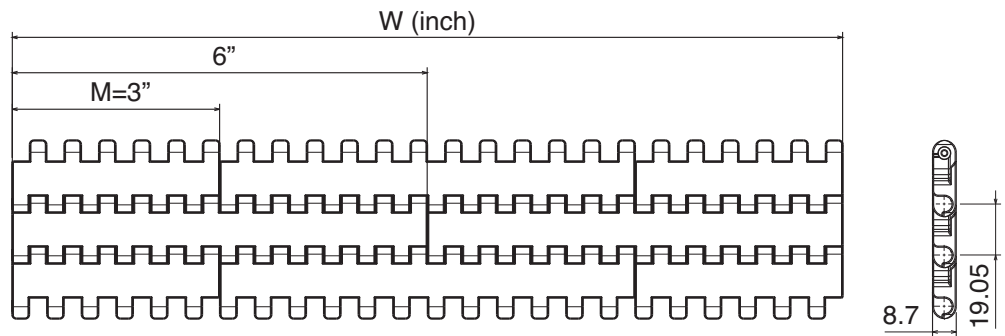
Tappeto Modulare 590 FT, H=8,7 M=3" / Modular Belt Series 590 FT, H=8,7 M=3" / Modulare Mattenkette 590 FT, H=8,7 M=3"

Series	Material	Width	Version	Series	Material	Width	Version
5301	*	0003	A	5301	*	0030	A
5301	*	0006	A	5301	*	0033	A
5301	*	0009	A	5301	*	0036	A
5301	*	0012	A	5301	*	0039	A
5301	*	0015	A	5301	*	0042	A
5301	*	0018	A	5301	*	0045	A
5301	*	0021	A	5301	*	0048	A
5301	*	0024	A	5301	*	0051	A
5301	*	0027	A	5301	*	0054	A

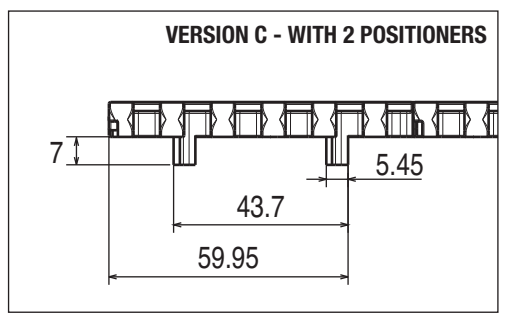


CODE STRUCTURE GUIDE			
5301	01	0009	C
Series	Material	Width	Version

VERSION A - STANDARD



* Material	
<b>01 LFA - Low Friction Acetal</b>	<p>Max w. load: 30000 N/m Weight: 7,2 kg/m<sup>2</sup> Temp. range: dry -40÷80 °C wet -40÷65 °C Pin material: PBT white</p>
<b>03 MX - Performance PBT</b>	<p>Max w. load: 24000 N/m Weight: 7,0 kg/m<sup>2</sup> Temp. range: dry -40÷120 °C wet -40÷60 °C Pin material: POM grey</p>
<b>08 MK Super Performance Acetal</b>	<p>Max w. load: 28800 N/m Weight: 7,2 kg/m<sup>2</sup> Temp. range: dry -40÷80 °C wet -40÷65 °C Pin material: PBT white</p>
<b>13 MP - Lubricated Acetal</b>	<p>Max w. load: 30000 N/m Weight: 7,2 kg/m<sup>2</sup> Temp. range: dry -40÷80 °C wet -40÷65 °C Pin material: PBT white</p>
<b>16 DKM Aramide Reinforced Acetal</b>	<p>Max w. load: 30000 N/m Weight: 7,2 kg/m<sup>2</sup> Temp. range: dry -40÷80 °C wet -40÷65 °C Pin material: PBT white</p>
<b>17 MWX Polyamide Composite</b>	<p>Max w. load: 30000 N/m Weight: 7,5 kg/m<sup>2</sup> Temp. range: dry -40÷104 °C wet NR Pin material: PBT white</p>



Series	Material	Width	Version	Series	Material	Width	Version
5301	*	0003	C	5301	*	0030	C
5301	*	0006	C	5301	*	0033	C
5301	*	0009	C	5301	*	0036	C
5301	*	0012	C	5301	*	0039	C
5301	*	0015	C	5301	*	0042	C
5301	*	0018	C	5301	*	0045	C
5301	*	0021	C	5301	*	0048	C
5301	*	0024	C	5301	*	0051	C
5301	*	0027	C	5301	*	0054	C

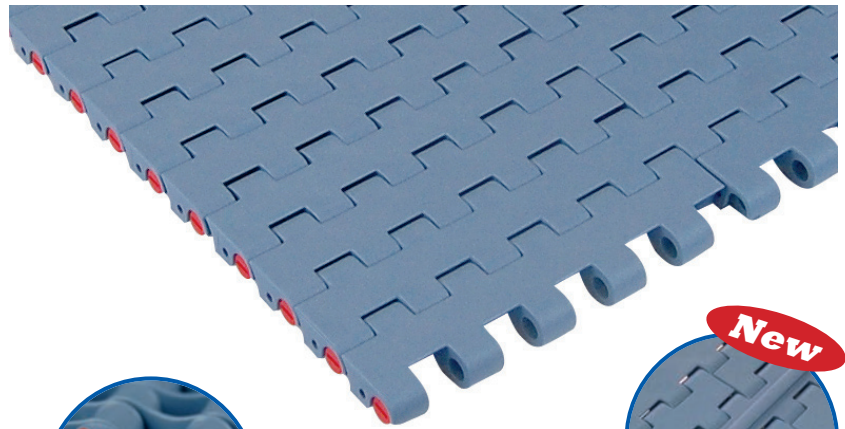




Tappeto Modulare 525 FT, H=8,7 M=85 / Modular Belt Series 525 FT, H=8,7 M=85 / Modulare Mattenkette 525 FT, H=8,7 M=85

Series	Material	Width	Version
5251	*	0085	A
5251	*	0170	A
5251	*	0255	A
5251	*	0340	A
5251	*	0425	A
5251	*	0510	A
5251	*	0595	A
5251	*	0680	A
5251	*	0765	A

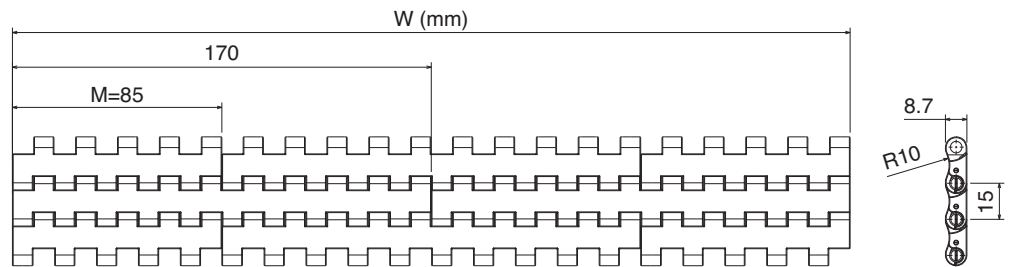
Series	Material	Width	Version
5251	*	0850	A
5251	*	0935	A
5251	*	1020	A
5251	*	1105	A
5251	*	1190	A
5251	*	1275	A
5251	*	1360	A
5251	*	1445	A
5251	*	1530	A



CODE STRUCTURE GUIDE			
5251	03	0340	C
Series	Material	Width	Version

**X RIB VERSION AVAILABLE  
ADD ON CODE:**  
- XR3 (RIB every 3 links)  
- XR5 (RIB every 5 links)

VERSION A - STANDARD



\* Material

**01 LFA - Low Friction Acetal**

Max w. load: 21500 N/m  
Weight: 7,8 kg/m<sup>2</sup>  
Temp. range: dry -40÷80 °C  
wet -40÷65 °C  
Pin material: PBT white

**03 MX - Performance PBT**

Max w. load: 17500 N/m  
Weight: 7,5 kg/m<sup>2</sup>  
Temp. range: dry -40÷120 °C  
wet -40÷60 °C  
Pin material: POM grey

**08 MK Super Performance Acetal**

Max w. load: 20700 N/m  
Weight: 7,8 kg/m<sup>2</sup>  
Temp. range: dry -40÷80 °C  
wet -40÷65 °C  
Pin material: PBT white

**13 MP - Lubricated Acetal**

Max w. load: 21500 N/m  
Weight: 7,8 kg/m<sup>2</sup>  
Temp. range: dry -40÷80°C  
wet -40÷65°C  
Pin material: PBT white

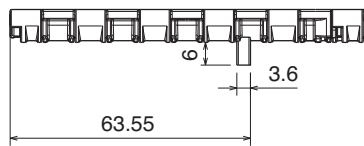
**16 DKM Aramide Reinforced Acetal**

Max w. load: 21500 N/m  
Weight: 7,8 kg/m<sup>2</sup>  
Temp. range: dry -40÷80°C  
wet -40÷65°C  
Pin material: PBT white

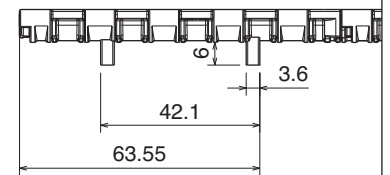
**17 MWX Polyamide Composite**

Max w. load: 21500 N/m  
Weight: 8,1 kg/m<sup>2</sup>  
Temp. range: dry -40÷104°C  
wet NR  
Pin material: PBT white

VERSION B - WITH 1 POSITIONER



VERSION C - WITH 2 POSITIONERS



Series	Material	Width	Version
5251	*	0085	B
5251	*	0170	B
5251	*	0255	B
5251	*	0340	B
5251	*	0425	B
5251	*	0510	B
5251	*	0595	B
5251	*	0680	B
5251	*	0765	B

Series	Material	Width	Version
5251	*	0850	B
5251	*	0935	B
5251	*	1020	B
5251	*	1105	B
5251	*	1190	B
5251	*	1275	B
5251	*	1360	B
5251	*	1445	B
5251	*	1530	B

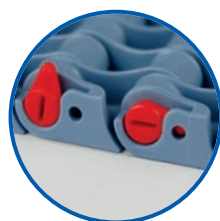
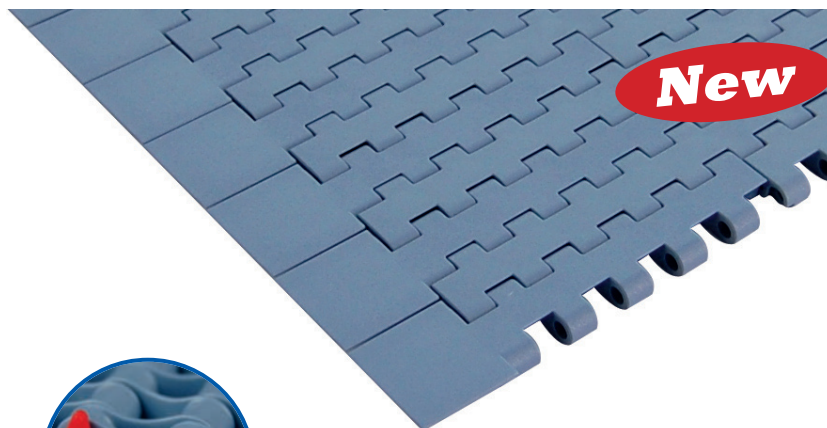
Series	Material	Width	Version
5251	*	0085	C
5251	*	0170	C
5251	*	0255	C
5251	*	0340	C
5251	*	0425	C
5251	*	0510	C
5251	*	0595	C
5251	*	0680	C
5251	*	0765	C

Series	Material	Width	Version
5251	*	0850	C
5251	*	0935	C
5251	*	1020	C
5251	*	1105	C
5251	*	1190	C
5251	*	1275	C
5251	*	1360	C
5251	*	1445	C
5251	*	1530	C



Tappeto Modulare 525 FTT, H=8,7 M=85 / Modular Belt Series 525 FTT, H=8,7 M=85 / Modulare Mattenkette 525 FTT, H=8,7 M=85

Series	Material	Width	Version
5256	*	0085	C
5256	*	0170	CN
5256	*	0255	CN
5256	*	0170	CO
5256	*	0255	CO



**CODE STRUCTURE GUIDE**

5256	03	0085	CN
Series	Material	Width	Version

**\* Material**

**01 LFA - Low Friction Acetal**

Max w. load: 21500 N/m  
Weight: 7,8 kg/m<sup>2</sup>  
Temp. range: dry -40÷80 °C  
wet -40÷65 °C  
Pin material: PBT white

**03 MX - Performance PBT**

Max w. load: 17500 N/m  
Weight: 7,5 kg/m<sup>2</sup>  
Temp. range: dry -40÷120 °C  
wet -40÷60 °C  
Pin material: POM grey

**08 MK**

**Super Performance Acetal**

Max w. load: 20700 N/m  
Weight: 7,8 kg/m<sup>2</sup>  
Temp. range: dry -40÷80 °C  
wet -40÷65 °C  
Pin material: PBT white

**13 MP - Lubricated Acetal**

Max w. load: 21500 N/m  
Weight: 7,8 kg/m<sup>2</sup>  
Temp. range: dry -40÷80 °C  
wet -40÷65 °C  
Pin material: PBT white

**16 DKM**

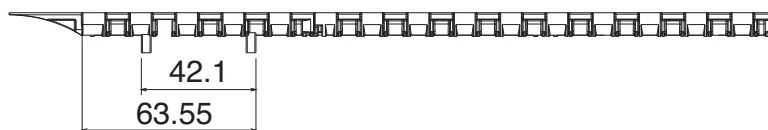
**Aramide Reinforced Acetal**

Max w. load: 21500 N/m  
Weight: 7,8 kg/m<sup>2</sup>  
Temp. range: dry -40÷80 °C  
wet -40÷65 °C  
Pin material: PBT white

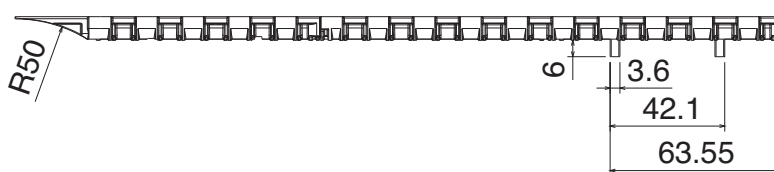
**17 MWX**

**Polyamide Composite**

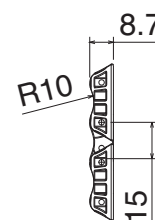
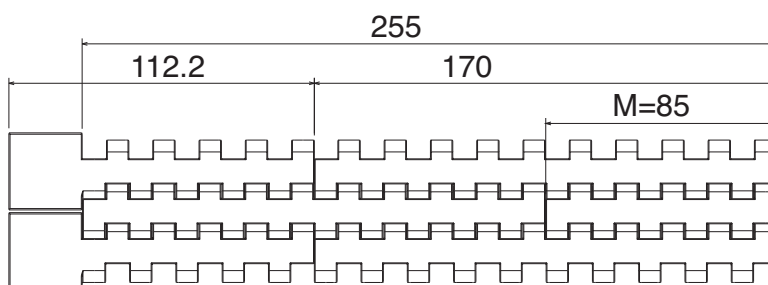
Max w. load: 21500 N/m  
Weight: 8,1 kg/m<sup>2</sup>  
Temp. range: dry -40÷104 °C  
wet NR  
Pin material: PBT white



**VERSION CN**  
(Near)

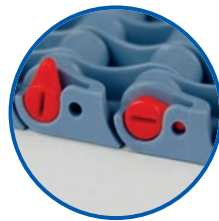
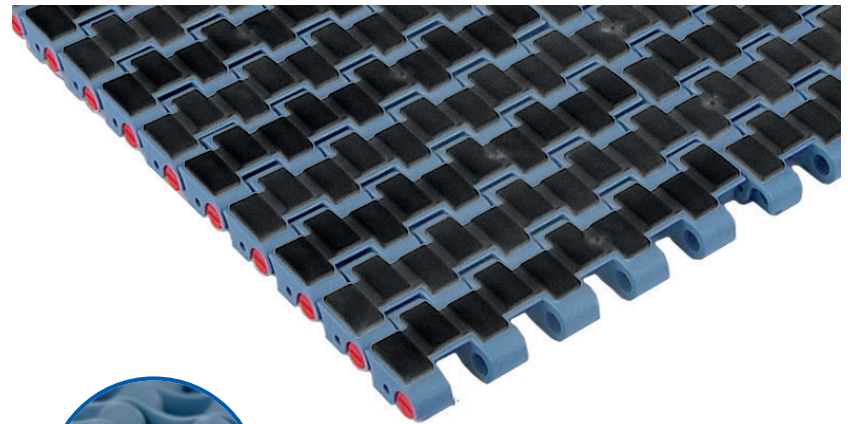


**VERSION CO**  
(Opposite)





Tappeto Modulare 525 GT, H=8,7 M=85 / Modular Belt Series 525 GT, H=8,7 M=85 / Modulare Mattenkette 525 GT, H=8,7 M=85

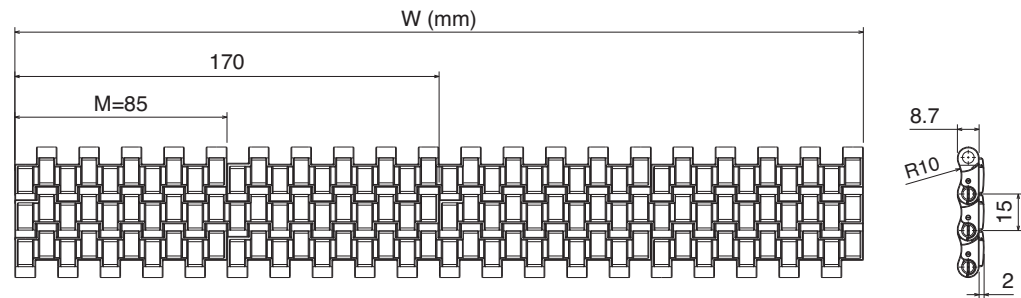


Series	Material	Width	Version
5253	*	0085	A
5253	*	0170	A
5253	*	0255	A
5253	*	0340	A
5253	*	0425	A
5253	*	0510	A
5253	*	0595	A
5253	*	0680	A
5253	*	0765	A

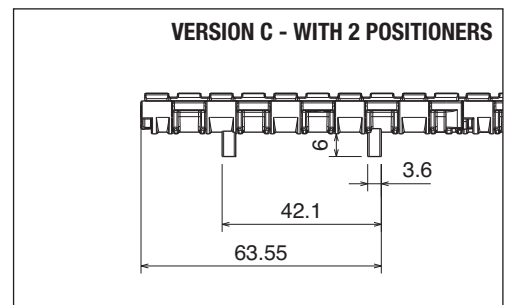
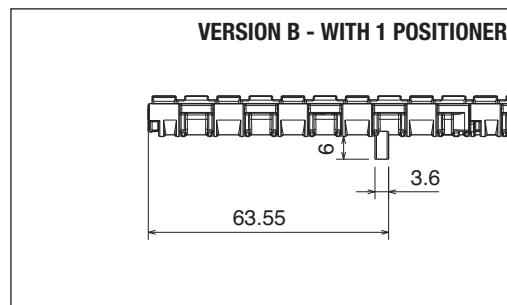
Series	Material	Width	Version
5253	*	0850	A
5253	*	0935	A
5253	*	1020	A
5253	*	1105	A
5253	*	1190	A
5253	*	1275	A
5253	*	1360	A
5253	*	1445	A
5253	*	1530	A

CODE STRUCTURE GUIDE			
5253	01	0765	A
Series	Material	Width	Version

### VERSION A - STANDARD



* Material	
<b>01 LFA - Low Friction Acetal</b>	
Max w. load:	21500 N/m
Weight:	7,8 kg/m <sup>2</sup>
Temp. range:	dry -40÷80 °C wet -40÷65 °C
Pin material:	PBT white
Hardness:	75 Sha
<b>02 PP Polypropylene</b>	
Max w. load:	13000 N/m
Weight:	7,5 kg/m <sup>2</sup>
Temp. range:	dry 4÷80 °C wet 4÷65 °C
Pin material:	PP blu
Hardness:	75 Sha
<b>03 MX - Performance PBT</b>	
Max w. load:	20700 N/m
Weight:	7,8 kg/m <sup>2</sup>
Temp. range:	dry -40÷120 °C wet -40÷60 °C
Pin material:	POM grey
Hardness:	75 Sha



Series	Material	Width	Version
5253	*	0085	B
5253	*	0170	B
5253	*	0255	B
5253	*	0340	B
5253	*	0425	B
5253	*	0510	B
5253	*	0595	B
5253	*	0680	B
5253	*	0765	B

Series	Material	Width	Version
5253	*	0850	B
5253	*	0935	B
5253	*	1020	B
5253	*	1105	B
5253	*	1190	B
5253	*	1275	B
5253	*	1360	B
5253	*	1445	B
5253	*	1530	B

Series	Material	Width	Version
5253	*	0085	C
5253	*	0170	C
5253	*	0255	C
5253	*	0340	C
5253	*	0425	C
5253	*	0510	C
5253	*	0595	C
5253	*	0680	C
5253	*	0765	C

Series	Material	Width	Version
5253	*	0850	C
5253	*	0935	C
5253	*	1020	C
5253	*	1105	C
5253	*	1190	C
5253	*	1275	C
5253	*	1360	C
5253	*	1445	C
5253	*	1530	C

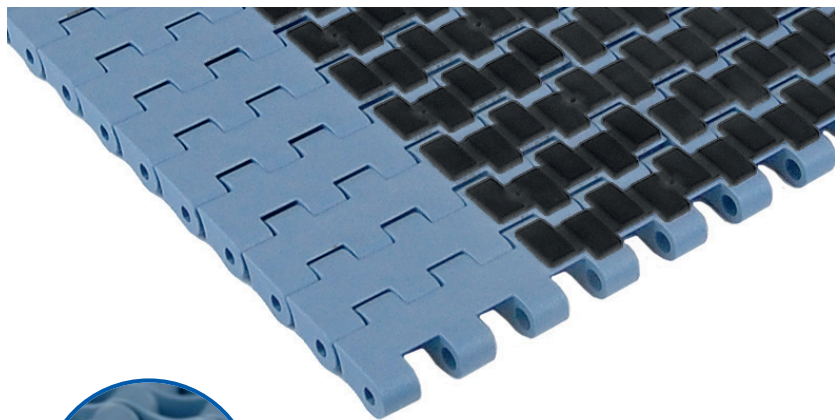




Tappeto Modulare 525 GT, H=8,7 M=85 / Modular Belt Series 525 GT, H=8,7 M=85 / Modulare Mattenkette 525 GT, H=8,7 M=85

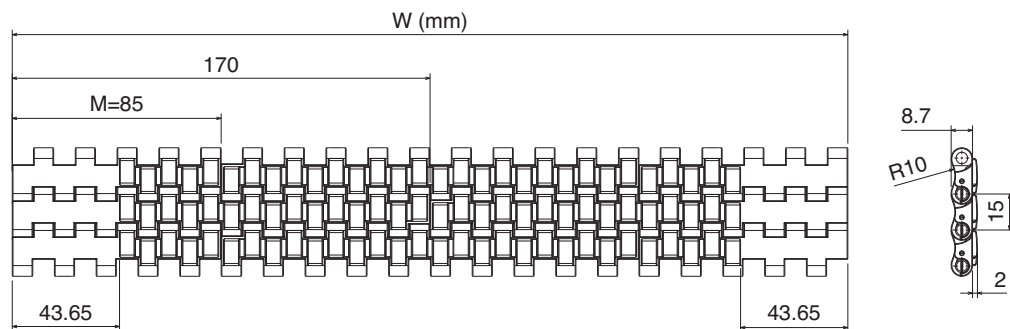
Series	Material	Width	Version
5255	*	0255	A
5255	*	0340	A
5255	*	0425	A
5255	*	0510	A
5255	*	0595	A
5255	*	0680	A
5255	*	0765	A
5255	*	0850	A

Series	Material	Width	Version
5255	*	0935	A
5255	*	1020	A
5255	*	1105	A
5255	*	1190	A
5255	*	1275	A
5255	*	1360	A
5255	*	1445	A
5255	*	1530	A



CODE STRUCTURE GUIDE			
5255	03	0340	C
Series	Material	Width	Version

### VERSION A - STANDARD



**\* Material**

**01 LFA - Low Friction Acetal**

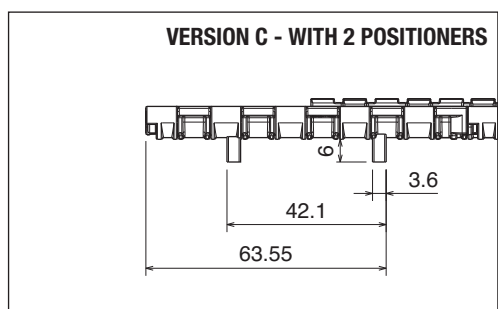
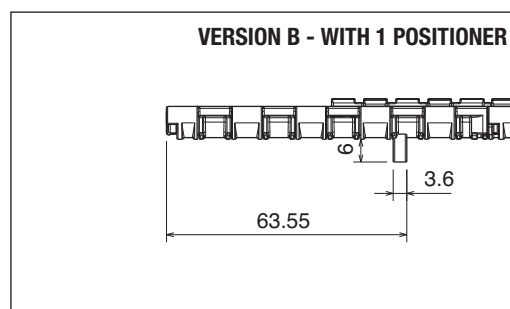
Max w. load: 21500 N/m  
Weight: 7,8 kg/m<sup>2</sup>  
Temp. range: dry -40÷80 °C  
wet -40÷65 °C  
Pin material: PBT white  
Hardness: 75 ShA

**02 PP Polypropylene**

Max w. load: 13000 N/m  
Weight: 7,5 kg/m<sup>2</sup>  
Temp. range: dry 4÷120 °C  
wet 4÷65 °C  
Pin material: PP blu  
Hardness: 75 ShA

**03 MX - Performance PBT**

Max w. load: 20700 N/m  
Weight: 7,8 kg/m<sup>2</sup>  
Temp. range: dry -40÷120 °C  
wet -40÷60 °C  
Pin material: POM grey  
Hardness: 75 ShA

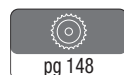


Series	Material	Width	Version
5255	*	0255	B
5255	*	0340	B
5255	*	0425	B
5255	*	0510	B
5255	*	0595	B
5255	*	0680	B
5255	*	0765	B
5255	*	0850	B

Series	Material	Width	Version
5255	*	0935	B
5255	*	1020	B
5255	*	1105	B
5255	*	1190	B
5255	*	1275	B
5255	*	1360	B
5255	*	1445	B
5255	*	1530	B

Series	Material	Width	Version
5255	*	0255	C
5255	*	0340	C
5255	*	0425	C
5255	*	0510	C
5255	*	0595	C
5255	*	0680	C
5255	*	0765	C
5255	*	0850	C

Series	Material	Width	Version
5255	*	0935	C
5255	*	1020	C
5255	*	1105	C
5255	*	1190	C
5255	*	1275	C
5255	*	1360	C
5255	*	1445	C
5255	*	1530	C

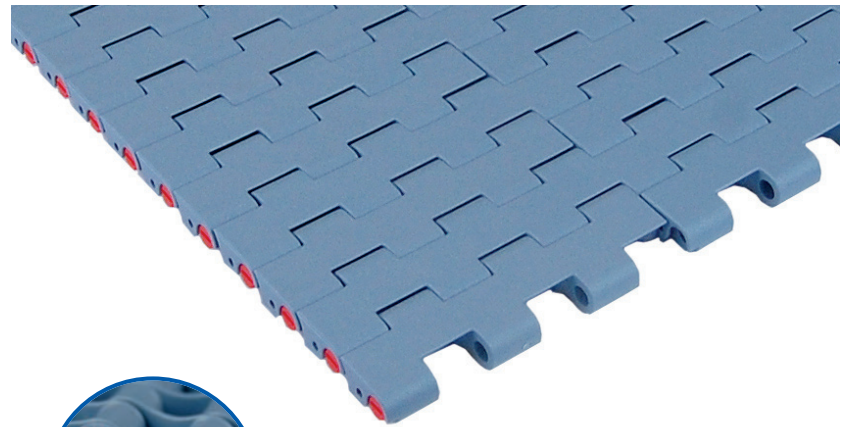




Tappeto Modulare 530 FT, H=8,7 M=3" / Modular Belt Series 530 FT, H=8,7 M=3" / Modulare Mattenkette 530 FT, H=8,7 M=3"

Series	Material	Width	Version
5321	*	0003	A
5321	*	0006	A
5321	*	0009	A
5321	*	0012	A
5321	*	0015	A
5321	*	0018	A
5321	*	0021	A
5321	*	0024	A
5321	*	0027	A

Series	Material	Width	Version
5321	*	0030	A
5321	*	0033	A
5321	*	0036	A
5321	*	0039	A
5321	*	0042	A
5321	*	0045	A
5321	*	0048	A
5321	*	0051	A
5321	*	0054	A



CODE STRUCTURE GUIDE			
5321	01	0042	A
Series	Material	Width	Version

\* Material

**01 LFA - Low Friction Acetal**

Max w. load: 21500 N/m  
Weight: 7,8 kg/m<sup>2</sup>  
Temp. range: dry -40÷80 °C  
wet -40÷65 °C  
Pin material: PBT white

**03 MX - Performance PBT**

Max w. load: 17500 N/m  
Weight: 7,5 kg/m<sup>2</sup>  
Temp. range: dry -40÷120 °C  
wet -40÷60 °C  
Pin material: POM grey

**08 MK Super Performance Acetal**

Max w. load: 20700 N/m  
Weight: 7,8 kg/m<sup>2</sup>  
Temp. range: dry -40÷80 °C  
wet -40÷65 °C  
Pin material: PBT white

**13 MP - Lubricated Acetal**

Max w. load: 21500 N/m  
Weight: 7,8 kg/m<sup>2</sup>  
Temp. range: dry -40÷80°C  
wet -40÷65°C  
Pin material: PBT white

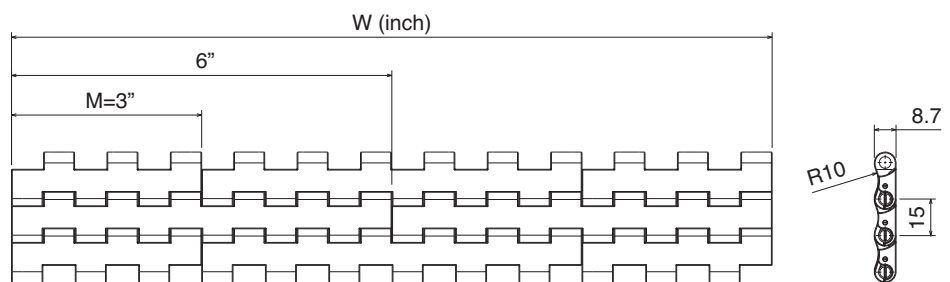
**16 DKM Aramide Reinforced Acetal**

Max w. load: 21500 N/m  
Weight: 7,8 kg/m<sup>2</sup>  
Temp. range: dry -40÷80°C  
wet -40÷65°C  
Pin material: PBT white

**17 MWX Polyamide Composite**

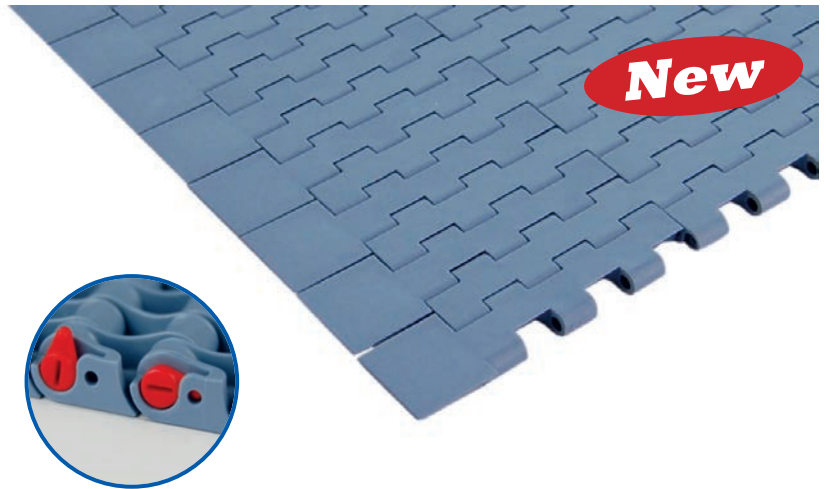
Max w. load: 21500 N/m  
Weight: 8,1 kg/m<sup>2</sup>  
Temp. range: dry -40÷104°C  
wet NR  
Pin material: PBT white

VERSION A - STANDARD



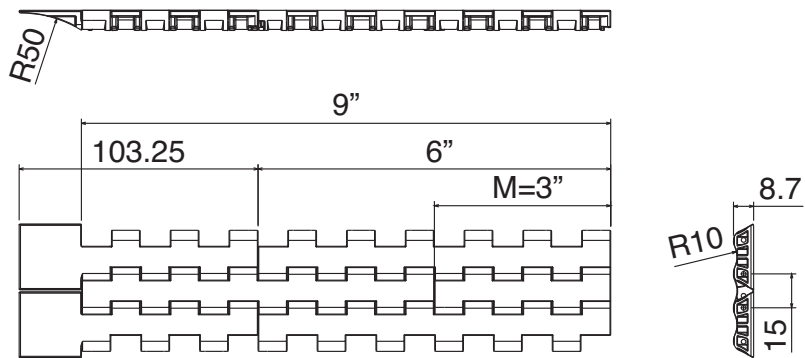
Tappeto Modulare 530 FTT, H=8,7 M=3" / Modular Belt Series 530 FTT, H=8,7 M=3" / Modulare Mattenkette 530 FTT, H=8,7 M=3"

Series	Material	Width	Version
5326	*	0003	A
5326	*	0006	A
5326	*	0009	A



CODE STRUCTURE GUIDE			
5326	01	0006	A
Series	Material	Width	Version

**VERSION A - STANDARD**



**\* Material**

**01 LFA - Low Friction Acetal**

Max w. load: 21500 N/m  
Weight: 7,8 kg/m<sup>2</sup>  
Temp. range: dry -40÷80 °C  
wet -40÷65 °C  
Pin material: PBT white

**03 MX - Performance PBT**

Max w. load: 17500 N/m  
Weight: 7,5 kg/m<sup>2</sup>  
Temp. range: dry -40÷120 °C  
wet -40÷60 °C  
Pin material: POM grey

**08 MK  
Super Performance Acetal**

Max w. load: 20700 N/m  
Weight: 7,8 kg/m<sup>2</sup>  
Temp. range: dry -40÷80 °C  
wet -40÷65 °C  
Pin material: PBT white

**13 MP - Lubricated Acetal**

Max w. load: 21500 N/m  
Weight: 7,8 kg/m<sup>2</sup>  
Temp. range: dry -40÷80 °C  
wet -40÷65 °C  
Pin material: PBT white

**16 DKM  
Aramide Reinforced Acetal**

Max w. load: 21500 N/m  
Weight: 7,8 kg/m<sup>2</sup>  
Temp. range: dry -40÷80 °C  
wet -40÷65 °C  
Pin material: PBT white

**17 MWX  
Polyamide Composite**

Max w. load: 21500 N/m  
Weight: 8,1 kg/m<sup>2</sup>  
Temp. range: dry -40÷104 °C  
wet NR  
Pin material: PBT white



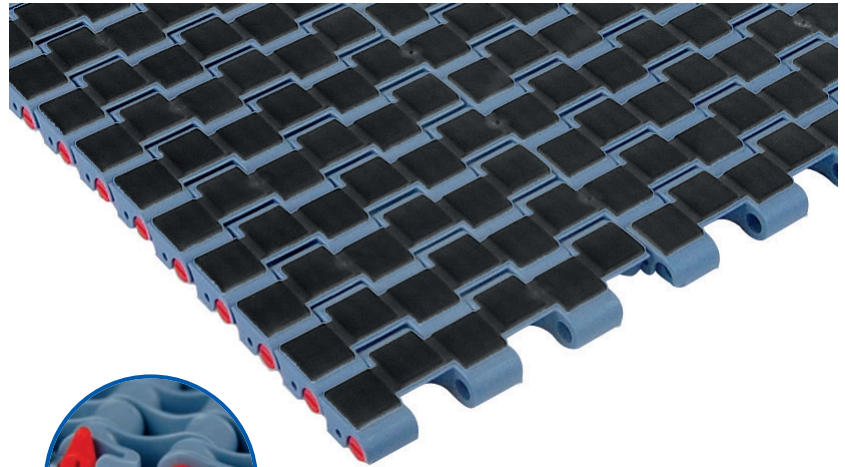




Tappeto Modulare 530 GT, H=8,7 M=3" / Modular Belt Series 530 GT, H=8,7 M=3" / Modulare Mattenkette 530 GT, H=8,7 M=3"

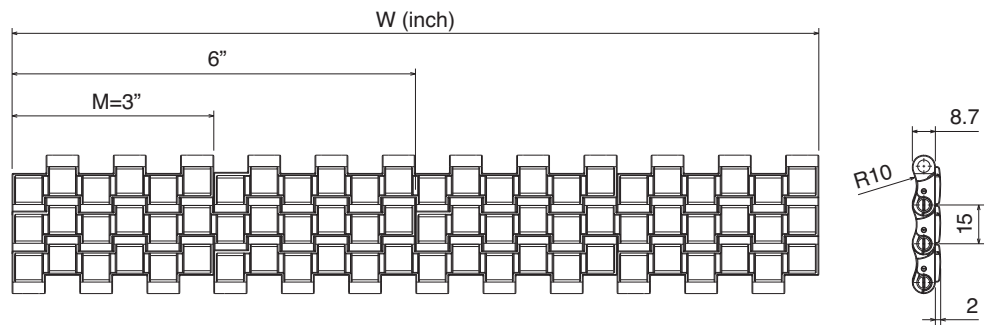
Series	Material	Width	Version
5323	*	0003	A
5323	*	0006	A
5323	*	0009	A
5323	*	0012	A
5323	*	0015	A
5323	*	0018	A
5323	*	0021	A
5323	*	0024	A
5323	*	0027	A

Series	Material	Width	Version
5323	*	0030	A
5323	*	0033	A
5323	*	0036	A
5323	*	0039	A
5323	*	0042	A
5323	*	0045	A
5323	*	0048	A
5323	*	0051	A
5323	*	0054	A



CODE STRUCTURE GUIDE			
5323	01	0009	A
<i>Series</i>	<i>Material</i>	<i>Width</i>	<i>Version</i>

### VERSION A - STANDARD



* Material	
<b>01 LFA - Low Friction Acetal</b>	
Max w. load:	21500 N/m
Weight:	7,8 kg/m <sup>2</sup>
Temp. range:	dry -40÷80 °C wet -40÷65 °C
Pin material:	PBT white
Hardness:	75 ShA
<b>02 PP Polypropylene</b>	
Max w. load:	13000 N/m
Weight:	7,5 kg/m <sup>2</sup>
Temp. range:	dry 4÷80 °C wet 4÷65 °C
Pin material:	PP blu
Hardness:	75 ShA
<b>03 MX - Performance PBT</b>	
Max w. load:	20700 N/m
Weight:	7,8 kg/m <sup>2</sup>
Temp. range:	dry -40÷120 °C wet -40÷60 °C
Pin material:	POM grey
Hardness:	75 ShA

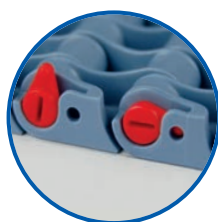
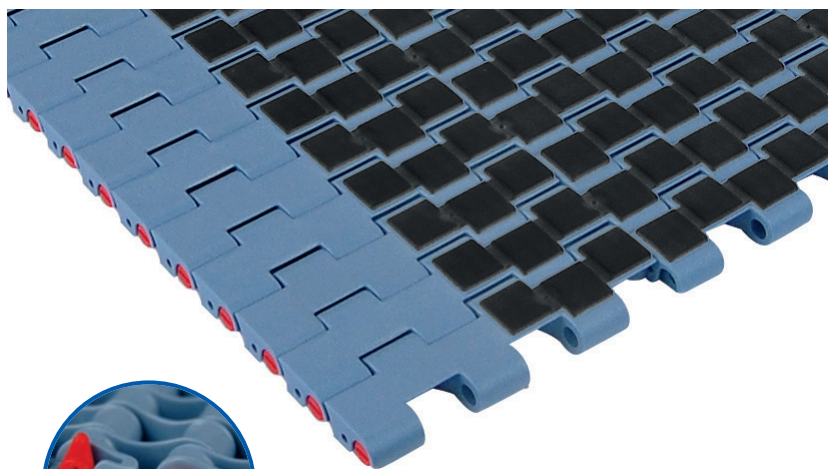




Tappeto Modulare 530 GT, H=8,7 M=3" / Modular Belt Series 530 GT, H=8,7 M=3" / Modulare Mattenkette 530 GT, H=8,7 M=3"

Series	Material	Width	Version
5325	*	0009	A
5325	*	0012	A
5325	*	0015	A
5325	*	0018	A
5325	*	0021	A
5325	*	0024	A
5325	*	0027	A
5325	*	0030	A

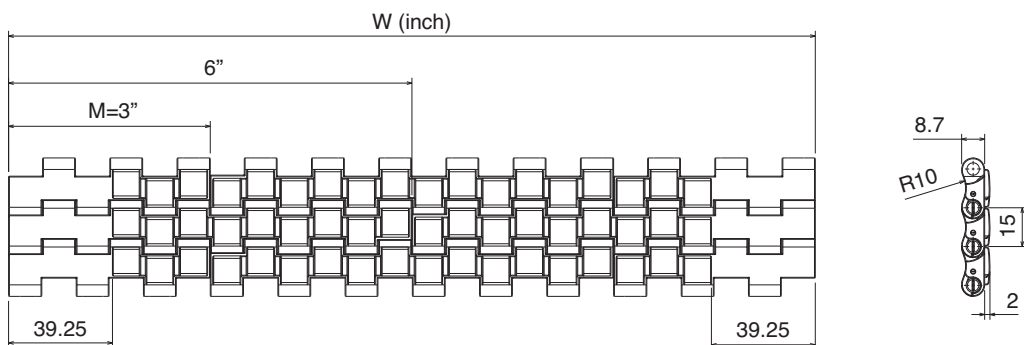
Series	Material	Width	Version
5325	*	0033	A
5325	*	0036	A
5325	*	0039	A
5325	*	0042	A
5325	*	0045	A
5325	*	0048	A
5325	*	0051	A
5325	*	0054	A



CODE STRUCTURE GUIDE			
5325	01	0027	A
Series	Material	Width	Version

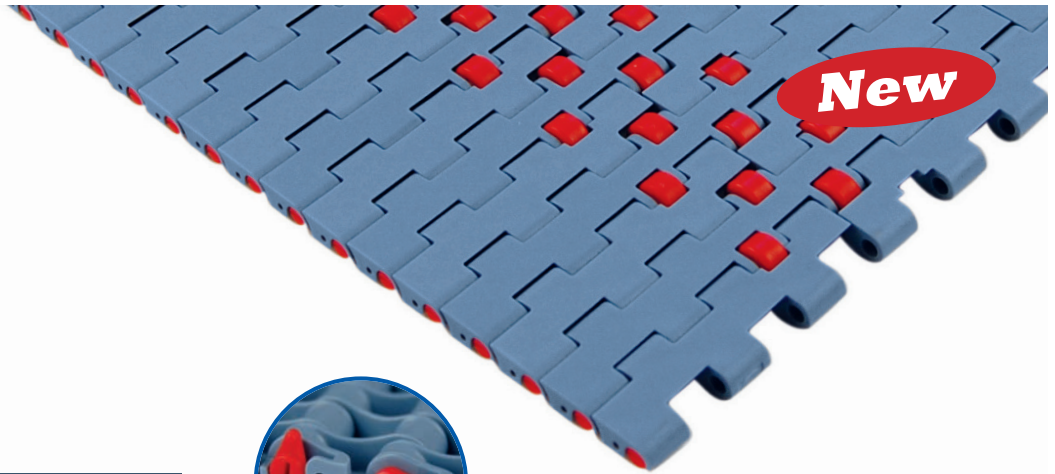
### VERSION A - STANDARD

* Material	
<b>01 LFA - Low Friction Acetal</b>	
Max w. load:	21500 N/m
Weight:	7,8 kg/m <sup>2</sup>
Temp. range:	dry -40÷80 °C wet -40÷65 °C
Pin material:	PBT white
Hardness:	75 ShA
<b>02 PP Polypropylene</b>	
Max w. load:	13000 N/m
Weight:	7,5 kg/m <sup>2</sup>
Temp. range:	dry 4÷80 °C wet 4÷65 °C
Pin material:	PP blu
Hardness:	75 ShA
<b>03 MX - Performance PBT</b>	
Max w. load:	20700 N/m
Weight:	7,8 kg/m <sup>2</sup>
Temp. range:	dry -40÷120 °C wet -40÷60 °C
Pin material:	POM grey
Hardness:	75 ShA





Tappeto Modulare 530 LBP, H=8,7 M=3" | Modular Belt Series 530 LBP, H=8,7 M=3" | Modulare Mattenkette 530 LBP, H=8,7 M=3"

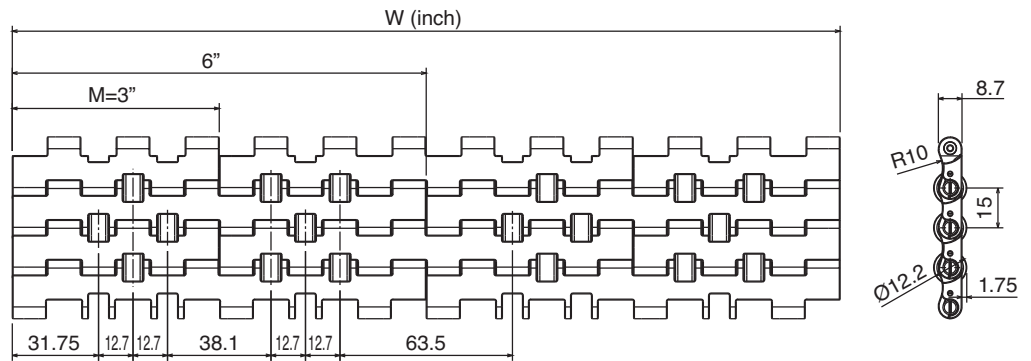


Series	Material	Width	Version
5324	*	0006	A
5324	*	0012	A
5324	*	0018	A
5324	*	0024	A
5324	*	0030	A
5324	*	0036	A
5324	*	0042	A
5324	*	0048	A
5324	*	0054	A

CODE STRUCTURE GUIDE			
5324	01	0012	A
Series	Material	Width	Version

VERSION A - STANDARD

* Material	
<b>01 LFA - Low Friction Acetal</b>	
Max w. load:	21500 N/m
Weight:	7,8 kg/m <sup>2</sup>
Temp. range:	dry -40÷80 °C wet 1÷65 °C
Pin material:	PBT white

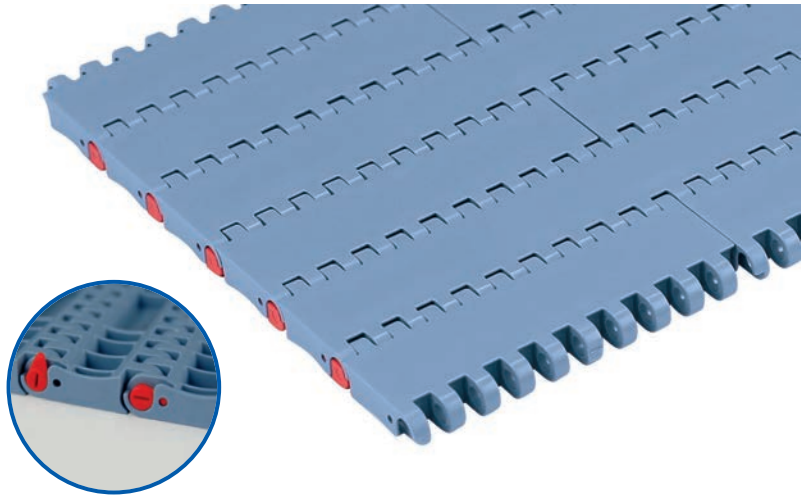




Tappeto Modulare 550 FT, H=8,7 M=85 / Modular Belt Series 550 FT, H=8,7 M=85 / Modulare Mattenkette 550 FT, H=8,7 M=85

Series	Material	Width	Version
5221	*	0085	A
5221	*	0170	A
5221	*	0255	A
5221	*	0340	A
5221	*	0425	A
5221	*	0510	A
5221	*	0595	A
5221	*	0680	A
5221	*	0765	A

Series	Material	Width	Version
5221	*	0850	A
5221	*	0935	A
5221	*	1020	A
5221	*	1105	A
5221	*	1190	A
5221	*	1275	A
5221	*	1360	A
5221	*	1445	A
5221	*	1530	A



CODE STRUCTURE GUIDE			
5221	08	0255	A
Series	Material	Width	Version

### One Track Belt - K330

Series	Material	Width	Version
5221	*	9330	A
5221	*	9330	C

#### \* Material

##### 01 LFA - Low Friction Acetal

Max w. load: 27500 N/m  
Weight: 8,5 kg/m<sup>2</sup>  
Temp. range: dry -40÷80 °C  
wet -40÷65 °C  
Pin material: PBT white

##### 03 MX - Performance PBT

Max w. load: 22000 N/m  
Weight: 8,2 kg/m<sup>2</sup>  
Temp. range: dry -40÷120 °C  
wet -40÷60 °C  
Pin material: POM grey

##### 08 MK Super Performance Acetal

Max w. load: 26500 N/m  
Weight: 8,5 kg/m<sup>2</sup>  
Temp. range: dry -40÷80 °C  
wet -40÷65 °C  
Pin material: PBT white

##### 13 MP - Lubricated Acetal

Max w. load: 27500 N/m  
Weight: 8,5 kg/m<sup>2</sup>  
Temp. range: dry -40÷80 °C  
wet -40÷65 °C  
Pin material: PBT white

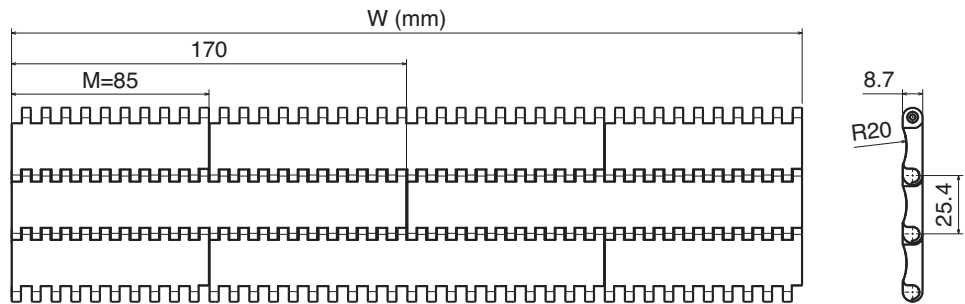
##### 16 DKM Aramide Reinforced Acetal

Max w. load: 27500 N/m  
Weight: 8,5 kg/m<sup>2</sup>  
Temp. range: dry -40÷80 °C  
wet -40÷65 °C  
Pin material: PBT white

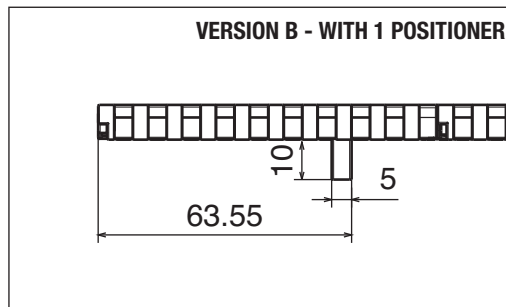
##### 17 MWX Polyamide Composite

Max w. load: 27500 N/m  
Weight: 8,9 kg/m<sup>2</sup>  
Temp. range: dry -40÷104 °C  
wet NR  
Pin material: PBT white

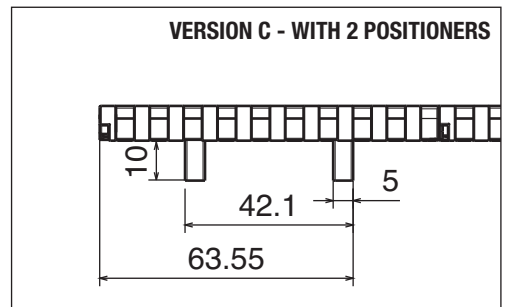
#### VERSION A - STANDARD



#### VERSION B - WITH 1 POSITIONER



#### VERSION C - WITH 2 POSITIONERS



Series	Material	Width	Version
5221	*	0085	B
5221	*	0170	B
5221	*	0255	B
5221	*	0340	B
5221	*	0425	B
5221	*	0510	B
5221	*	0595	B
5221	*	0680	B
5221	*	0765	B

Series	Material	Width	Version
5221	*	0850	B
5221	*	0935	B
5221	*	1020	B
5221	*	1105	B
5221	*	1190	B
5221	*	1275	B
5221	*	1360	B
5221	*	1445	B
5221	*	1530	B

Series	Material	Width	Version
5221	*	0085	C
5221	*	0170	C
5221	*	0255	C
5221	*	0340	C
5221	*	0425	C
5221	*	0510	C
5221	*	0595	C
5221	*	0680	C
5221	*	0765	C

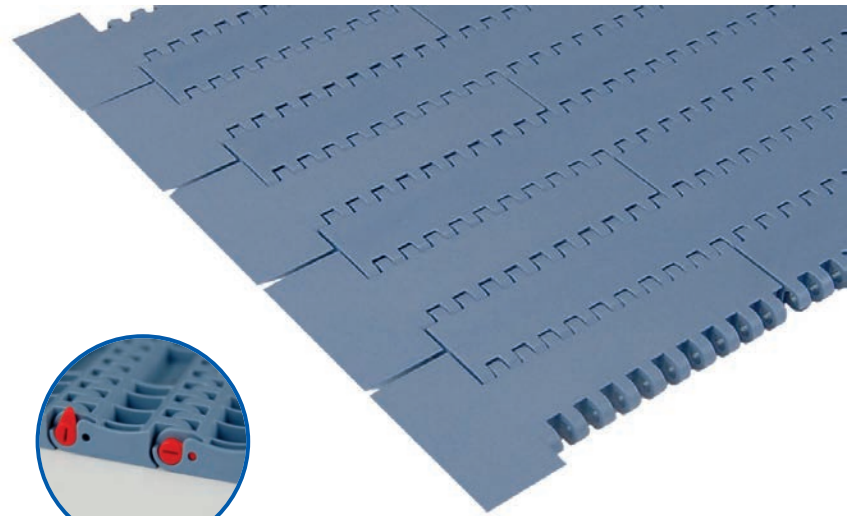
Series	Material	Width	Version
5221	*	0850	C
5221	*	0935	C
5221	*	1020	C
5221	*	1105	C
5221	*	1190	C
5221	*	1275	C
5221	*	1360	C
5221	*	1445	C
5221	*	1530	C





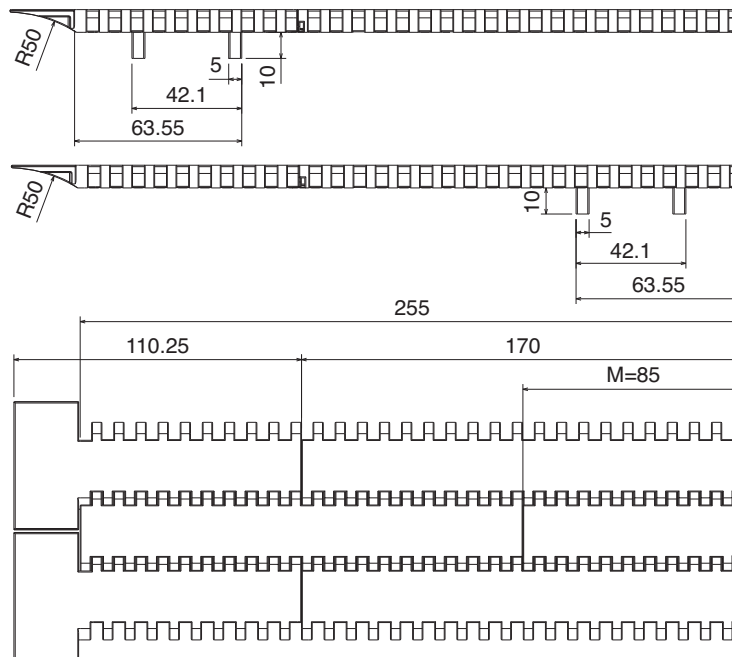
Tappeto Modulare 550 FTT, H=8,7 M=85 / Modular Belt Series 550 FTT, H=8,7 M=85 / Modulare Mattenkette 550 FTT, H=8,7 M=85

Series	Material	Width	Version
5226	*	0085	C
5226	*	0170	CN
5226	*	0255	CN
5226	*	0170	CO
5226	*	0255	CO



CODE STRUCTURE GUIDE			
<b>5226</b>	<b>03</b>	<b>0255</b>	<b>CN</b>
Series	Material	Width	Version

* Material	
<b>01 LFA - Low Friction Acetal</b>	
Max w. load:	27500 N/m
Weight:	8,5 kg/m <sup>2</sup>
Temp. range:	dry -40÷80 °C wet -40÷65 °C
Pin material:	PBT white
<b>03 MX - Performance PBT</b>	
Max w. load:	22000 N/m
Weight:	8,2 kg/m <sup>2</sup>
Temp. range:	dry -40÷120 °C wet -40÷60 °C
Pin material:	POM grey
<b>08 MK Super Performance Acetal</b>	
Max w. load:	26500 N/m
Weight:	8,5 kg/m <sup>2</sup>
Temp. range:	dry -40÷80 °C wet -40÷65 °C
Pin material:	PBT white
<b>13 MP - Lubricated Acetal</b>	
Max w. load:	27500 N/m
Weight:	8,5 kg/m <sup>2</sup>
Temp. range:	dry -40÷80 °C wet -40÷65 °C
Pin material:	PBT white
<b>16 DKM Aramide Reinforced Acetal</b>	
Max w. load:	27500 N/m
Weight:	8,5 kg/m <sup>2</sup>
Temp. range:	dry -40÷80 °C wet -40÷65 °C
Pin material:	PBT white
<b>17 MWX Polyamide Composite</b>	
Max w. load:	27500 N/m
Weight:	8,9 kg/m <sup>2</sup>
Temp. range:	dry -40÷104 °C wet NR
Pin material:	PBT white



**VERSION CN**  
(Near)

**VERSION CO**  
(Opposite)

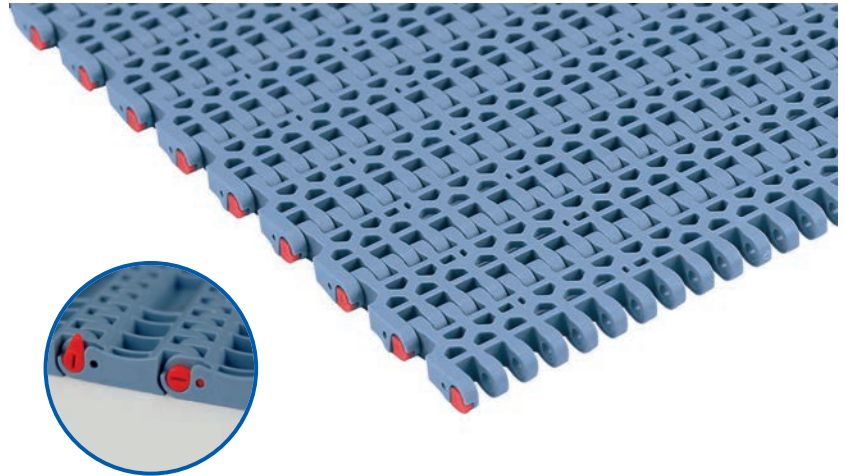




Tappeto Modulare 550 FG, H=8,7 M=85 / Modular Belt Series 550 FG, H=8,7 M=85 / Modulare Mattenkette 550 FG, H=8,7 M=85

Series	Material	Width	Version
5222	*	0085	A
5222	*	0170	A
5222	*	0255	A
5222	*	0340	A
5222	*	0425	A
5222	*	0510	A
5222	*	0595	A
5222	*	0680	A
5222	*	0765	A

Series	Material	Width	Version
5222	*	0850	A
5222	*	0935	A
5222	*	1020	A
5222	*	1105	A
5222	*	1190	A
5222	*	1275	A
5222	*	1360	A
5222	*	1445	A
5222	*	1530	A

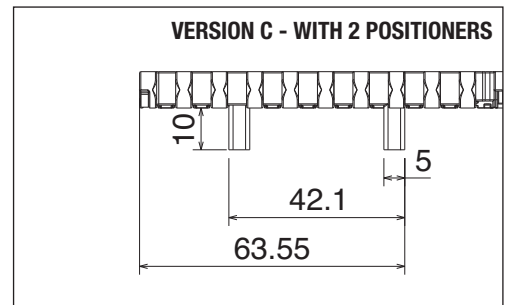
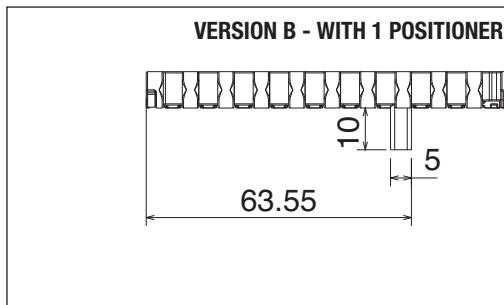
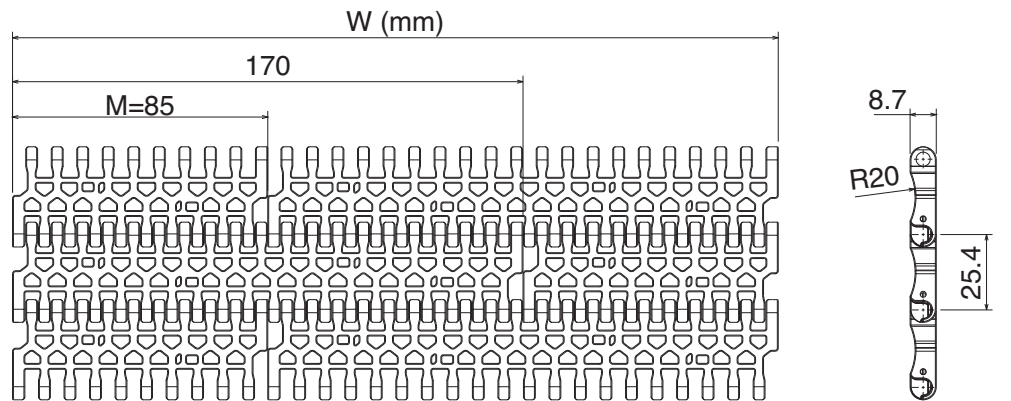


CODE STRUCTURE GUIDE			
5222	01	0850	C
Series	Material	Width	Version

### One Track Belt - K330

Series	Material	Width	Version
5222	*	9330	A
5222	*	9330	C

### VERSION A - STANDARD



#### \* Material

##### 01 LFA - Low Friction Acetal

Max w. load: 27500 N/m  
Weight: 7,0 kg/m<sup>2</sup>  
Temp. range: dry -40÷80 °C  
wet -40÷65 °C  
Pin material: PBT white

##### 03 MX - Performance PBT

Max w. load: 22000 N/m  
Weight: 6,7 kg/m<sup>2</sup>  
Temp. range: dry -40÷120 °C  
wet -40÷60 °C  
Pin material: POM grey

##### 08 MK

##### Super Performance Acetal

Max w. load: 26500 N/m  
Weight: 7,0 kg/m<sup>2</sup>  
Temp. range: dry -40÷80 °C  
wet -40÷65 °C  
Pin material: PBT white

##### 13 MP - Lubricated Acetal

Max w. load: 27500 N/m  
Weight: 7,0 kg/m<sup>2</sup>  
Temp. range: dry -40÷80 °C  
wet -40÷65 °C  
Pin material: PBT white

##### 16 DKM

##### Aramid Reinforced Acetal

Max w. load: 27500 N/m  
Weight: 7,0 kg/m<sup>2</sup>  
Temp. range: dry -40÷80 °C  
wet -40÷65 °C  
Pin material: PBT white

##### 17 MWX

##### Polyamide Composite

Max w. load: 27500 N/m  
Weight: 7,3 kg/m<sup>2</sup>  
Temp. range: dry -40÷104 °C  
wet NR  
Pin material: PBT white

Series	Material	Width	Version
5222	*	0085	B
5222	*	0170	B
5222	*	0255	B
5222	*	0340	B
5222	*	0425	B
5222	*	0510	B
5222	*	0595	B
5222	*	0680	B
5222	*	0765	B

Series	Material	Width	Version
5222	*	0850	B
5222	*	0935	B
5222	*	1020	B
5222	*	1105	B
5222	*	1190	B
5222	*	1275	B
5222	*	1360	B
5222	*	1445	B
5222	*	1530	B

Series	Material	Width	Version
5222	*	0085	C
5222	*	0170	C
5222	*	0255	C
5222	*	0340	C
5222	*	0425	C
5222	*	0510	C
5222	*	0595	C
5222	*	0680	C
5222	*	0765	C

Series	Material	Width	Version
5222	*	0850	C
5222	*	0935	C
5222	*	1020	C
5222	*	1105	C
5222	*	1190	C
5222	*	1275	C
5222	*	1360	C
5222	*	1445	C
5222	*	1530	C



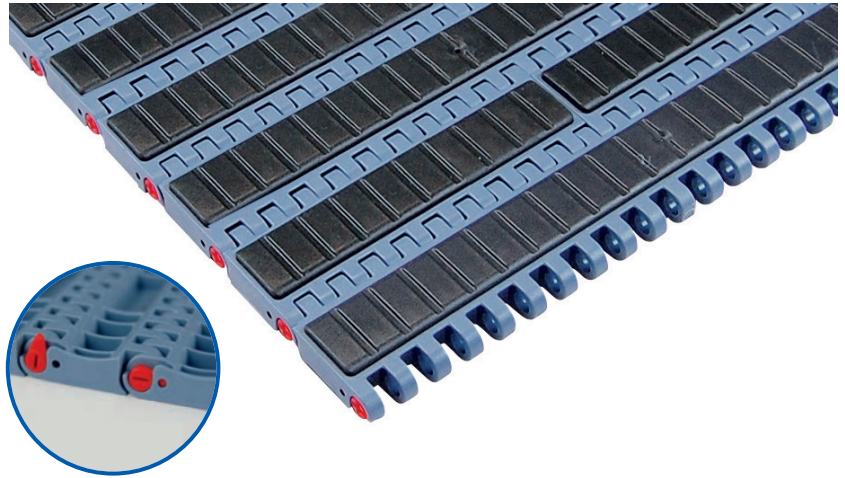
OPEN SURFACE: 30%



Tappeto Modulare 550 GT, H=8,7 M=85 / Modular Belt Series 550 GT, H=8,7 M=85 / Modulare Mattenkette 550 GT, H=8,7 M=85

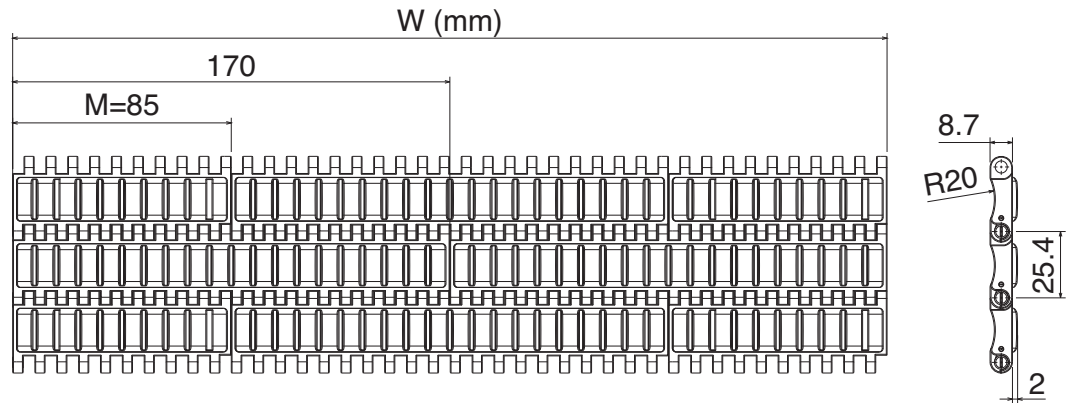
Series	Material	Width	Version
5223	*	0085	A
5223	*	0170	A
5223	*	0255	A
5223	*	0340	A
5223	*	0425	A
5223	*	0510	A
5223	*	0595	A
5223	*	0680	A
5223	*	0765	A

Series	Material	Width	Version
5223	*	0850	A
5223	*	0935	A
5223	*	1020	A
5223	*	1105	A
5223	*	1190	A
5223	*	1275	A
5223	*	1360	A
5223	*	1445	A
5223	*	1530	A

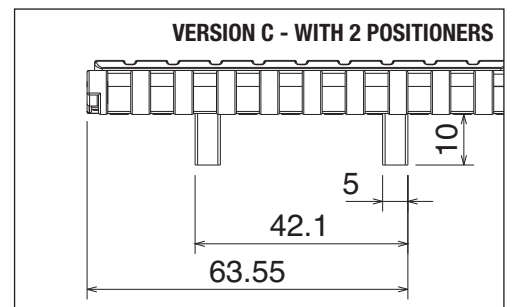
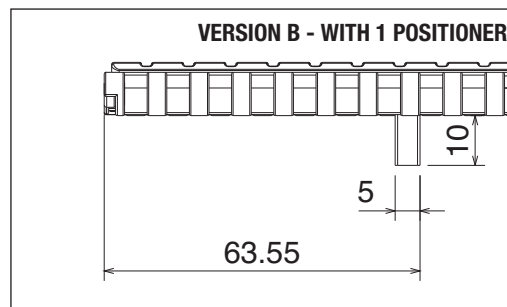


CODE STRUCTURE GUIDE			
5223	02	1020	A
Series	Material	Width	Version

VERSION A - STANDARD



* Material	
<b>01 LFA - Low Friction Acetal</b>	
Max w. load:	27500 N/m
Weight:	10,1 kg/m <sup>2</sup>
Temp. range:	dry -40÷80 °C wet -40÷65 °C
Pin material:	PBT white
Hardness:	75 ShA
<b>02 PP - Polypropylene</b>	
Max w. load:	16500 N/m
Weight:	8,4 kg/m <sup>2</sup>
Temp. range:	dry 4÷80 °C wet 4÷65 °C
Pin material:	PP blu
Hardness:	75 ShA
<b>03 MX - Performance PBT</b>	
Max w. load:	21500 N/m
Weight:	10,5 kg/m <sup>2</sup>
Temp. range:	dry -40÷120 °C wet -40÷60 °C
Pin material:	POM grey
Hardness:	75 ShA



Series	Material	Width	Version
5223	*	0085	B
5223	*	0170	B
5223	*	0255	B
5223	*	0340	B
5223	*	0425	B
5223	*	0510	B
5223	*	0595	B
5223	*	0680	B
5223	*	0765	B

Series	Material	Width	Version
5223	*	0850	B
5223	*	0935	B
5223	*	1020	B
5223	*	1105	B
5223	*	1190	B
5223	*	1275	B
5223	*	1360	B
5223	*	1445	B
5223	*	1530	B

Series	Material	Width	Version
5223	*	0085	C
5223	*	0170	C
5223	*	0255	C
5223	*	0340	C
5223	*	0425	C
5223	*	0510	C
5223	*	0595	C
5223	*	0680	C
5223	*	0765	C

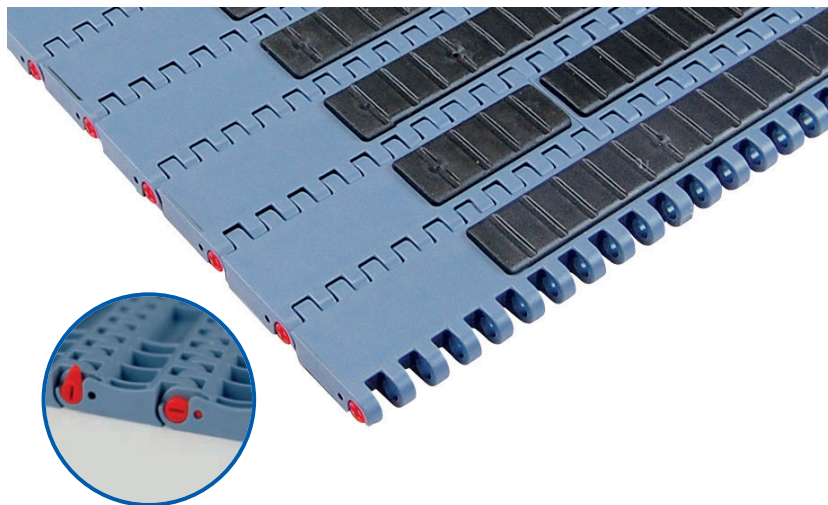
Series	Material	Width	Version
5223	*	0850	C
5223	*	0935	C
5223	*	1020	C
5223	*	1105	C
5223	*	1190	C
5223	*	1275	C
5223	*	1360	C
5223	*	1445	C
5223	*	1530	C



Tappeto Modulare 550 GT, H=8,7 M=85 / Modular Belt Series 550 GT, H=8,7 M=85 / Modulare Mattenkette 550 GT, H=8,7 M=85

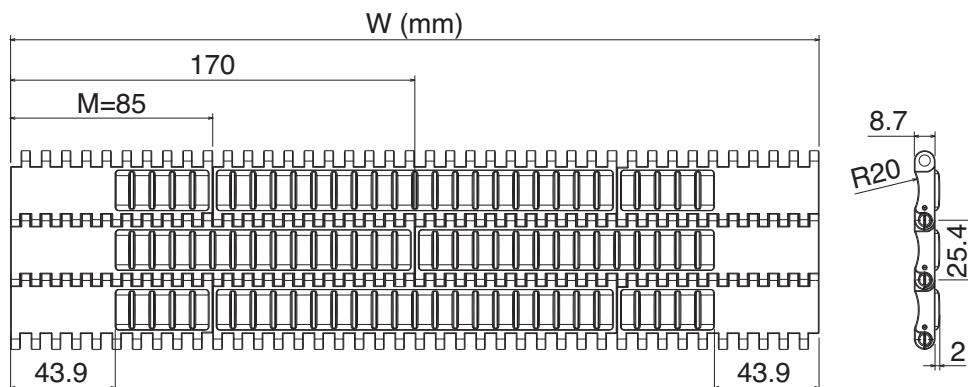
Series	Material	Width	Version
5225	*	0255	A
5225	*	0340	A
5225	*	0425	A
5225	*	0510	A
5225	*	0595	A
5225	*	0680	A
5225	*	0765	A
5225	*	0850	A

Series	Material	Width	Version
5225	*	0935	A
5225	*	1020	A
5225	*	1105	A
5225	*	1190	A
5225	*	1275	A
5225	*	1360	A
5225	*	1445	A
5225	*	1530	A



CODE STRUCTURE GUIDE			
5225	02	0595	B
Series	Material	Width	Version

**VERSION A - STANDARD**



**\* Material**

**01 LFA - Low Friction Acetal**

Max w. load: 27500 N/m  
Weight: 9,8 kg/m<sup>2</sup>  
Temp. range: dry -40÷80 °C  
wet -40÷65 °C

Pin material: PBT white  
Hardness: 75 ShA

**02 PP Polypropylene**

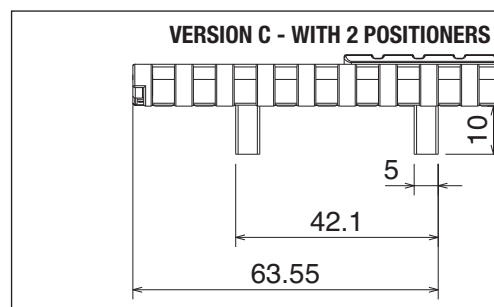
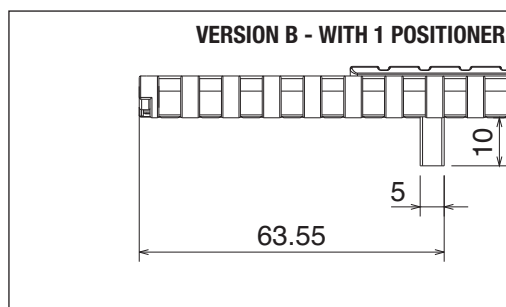
Max w. load: 16500 N/m  
Weight: 8,2 kg/m<sup>2</sup>  
Temp. range: dry 4÷80 °C  
wet 4÷65 °C

Pin material: PP blu  
Hardness: 75 ShA

**03 MX - Performance PBT**

Max w. load: 21500 N/m  
Weight: 10,3 kg/m<sup>2</sup>  
Temp. range: dry -40÷120 °C  
wet -40÷60 °C

Pin material: POM grey  
Hardness: 75 ShA



Series	Material	Width	Version
5225	*	0255	B
5225	*	0340	B
5225	*	0425	B
5225	*	0510	B
5225	*	0595	B
5225	*	0680	B
5225	*	0765	B
5225	*	0850	B

Series	Material	Width	Version
5225	*	0935	B
5225	*	1020	B
5225	*	1105	B
5225	*	1190	B
5225	*	1275	B
5225	*	1360	B
5225	*	1445	B
5225	*	1530	B

Series	Material	Width	Version
5225	*	0255	C
5225	*	0340	C
5225	*	0425	C
5225	*	0510	C
5225	*	0595	C
5225	*	0680	C
5225	*	0765	C
5225	*	0850	C

Series	Material	Width	Version
5225	*	0935	C
5225	*	1020	C
5225	*	1105	C
5225	*	1190	C
5225	*	1275	C
5225	*	1360	C
5225	*	1445	C
5225	*	1530	C



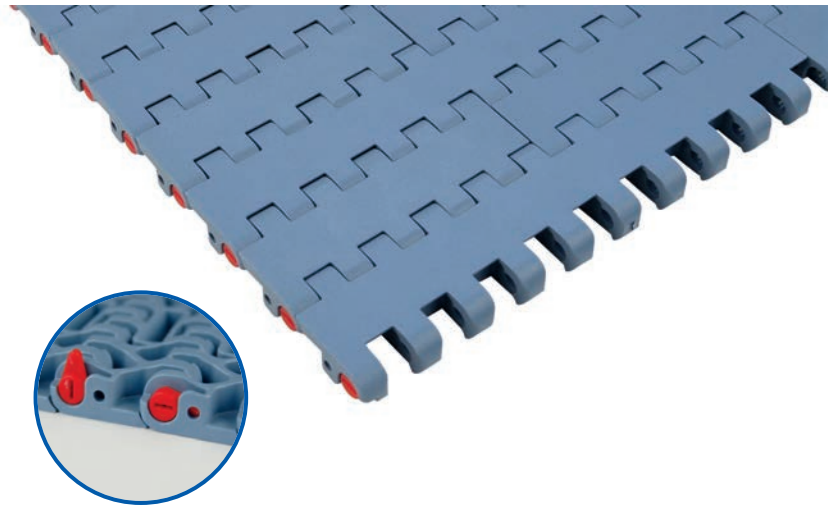




Tappeto Modulare 551 FT, H=12,7 M=85 / Modular Belt Series 551 FT, H=12,7 M=85 / Modulare Mattenkette 551 FT, H=12,7 M=85

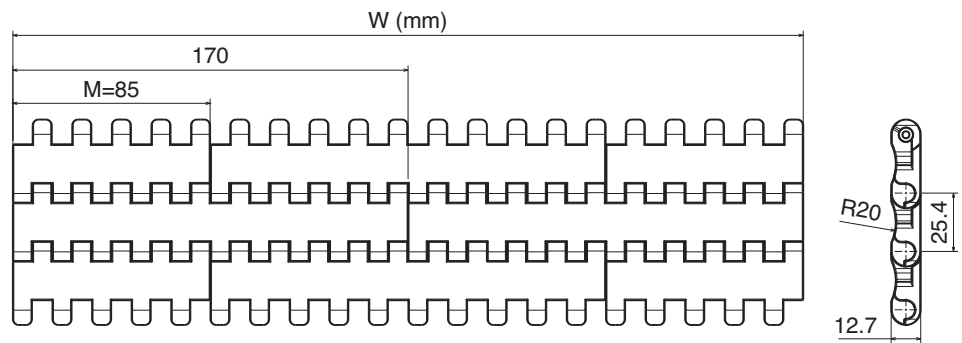
Series	Material	Width	Version
5231	*	0085	A
5231	*	0170	A
5231	*	0255	A
5231	*	0340	A
5231	*	0425	A
5231	*	0510	A
5231	*	0595	A
5231	*	0680	A
5231	*	0765	A

Series	Material	Width	Version
5231	*	0850	A
5231	*	0935	A
5231	*	1020	A
5231	*	1105	A
5231	*	1190	A
5231	*	1275	A
5231	*	1360	A
5231	*	1445	A
5231	*	1530	A



CODE STRUCTURE GUIDE			
5231	01	0680	C
Series	Material	Width	Version

VERSION A - STANDARD



**\* Material**

**01 LFA - Low Friction Acetal**  
 Max w. load: 41500 N/m  
 Weight: 12,5 kg/m<sup>2</sup>  
 Temp. range: dry -40÷80 °C  
 wet -40÷65 °C  
 Pin material: PBT white

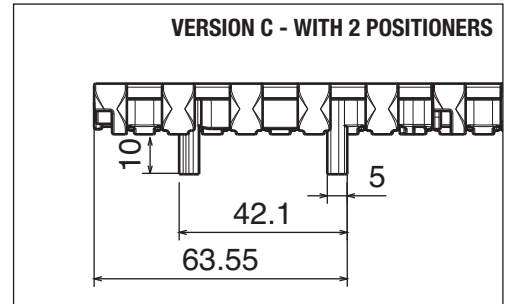
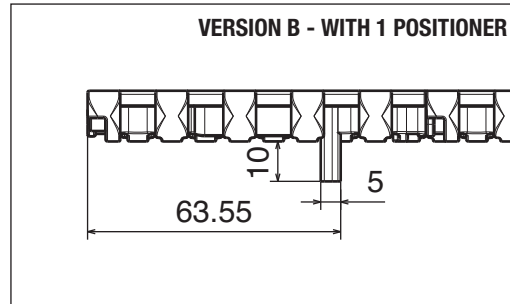
**03 MX - Performance PBT**  
 Max w. load: 33500 N/m  
 Weight: 12,0 kg/m<sup>2</sup>  
 Temp. range: dry -40÷120 °C  
 wet -40÷60 °C  
 Pin material: POM grey

**08 MK Super Performance Acetal**  
 Max w. load: 40000 N/m  
 Weight: 12,5 kg/m<sup>2</sup>  
 Temp. range: dry -40÷80 °C  
 wet -40÷65 °C  
 Pin material: PBT white

**13 MP - Lubricated Acetal**  
 Max w. load: 41500 N/m  
 Weight: 12,5 kg/m<sup>2</sup>  
 Temp. range: dry -40÷80 °C  
 wet -40÷65 °C  
 Pin material: PBT white

**16 DKM Aramide Reinforced Acetal**  
 Max w. load: 41500 N/m  
 Weight: 12,5 kg/m<sup>2</sup>  
 Temp. range: dry -40÷80 °C  
 wet -40÷65 °C  
 Pin material: PBT white

**17 MWX Polyamide Composite**  
 Max w. load: 41500 N/m  
 Weight: 13,0 kg/m<sup>2</sup>  
 Temp. range: dry -40÷104 °C  
 wet NR  
 Pin material: PBT white



Series	Material	Width	Version
5231	*	0085	B
5231	*	0170	B
5231	*	0255	B
5231	*	0340	B
5231	*	0425	B
5231	*	0510	B
5231	*	0595	B
5231	*	0680	B
5231	*	0765	B

Series	Material	Width	Version
5231	*	0850	B
5231	*	0935	B
5231	*	1020	B
5231	*	1105	B
5231	*	1190	B
5231	*	1275	B
5231	*	1360	B
5231	*	1445	B
5231	*	1530	B

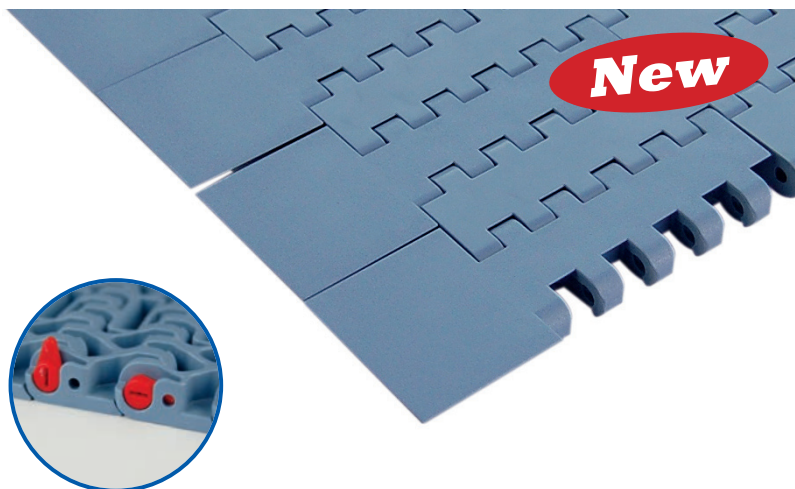
Series	Material	Width	Version
5231	*	0085	C
5231	*	0170	C
5231	*	0255	C
5231	*	0340	C
5231	*	0425	C
5231	*	0510	C
5231	*	0595	C
5231	*	0680	C
5231	*	0765	C

Series	Material	Width	Version
5231	*	0850	C
5231	*	0935	C
5231	*	1020	C
5231	*	1105	C
5231	*	1190	C
5231	*	1275	C
5231	*	1360	C
5231	*	1445	C
5231	*	1530	C



Tappeto Modulare 551 FTT, H=12,7 M=85 / Modular Belt Series 551 FTT, H=12,7 M=85 / Modulare Mattenkette 551 FTT, H=12,7 M=85

Series	Material	Width	Version
5236	*	0085	C
5236	*	0170	CN
5236	*	0255	CN
5236	*	0170	CO
5236	*	0255	CO



CODE STRUCTURE GUIDE			
<b>5236</b>	<b>01</b>	<b>0255</b>	<b>C</b>
Series	Material	Width	Version

**\* Material**

**01 LFA - Low Friction Acetal**

Max w. load: 41500 N/m  
Weight: 12,5 kg/m<sup>2</sup>  
Temp. range: dry -40÷80 °C  
wet -40÷65 °C  
Pin material: PBT white

**03 MX - Performance PBT**

Max w. load: 33500 N/m  
Weight: 12,0 kg/m<sup>2</sup>  
Temp. range: dry -40÷120 °C  
wet -40÷60 °C  
Pin material: POM grey

**08 MK Super Performance Acetal**

Max w. load: 40000 N/m  
Weight: 12,5 kg/m<sup>2</sup>  
Temp. range: dry -40÷80 °C  
wet -40÷65 °C  
Pin material: PBT white

**13 MP - Lubricated Acetal**

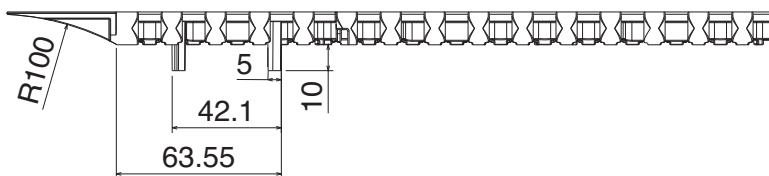
Max w. load: 41500 N/m  
Weight: 12,5 kg/m<sup>2</sup>  
Temp. range: dry -40÷80 °C  
wet -40÷65 °C  
Pin material: PBT white

**16 DKM Aramide Reinforced Acetal**

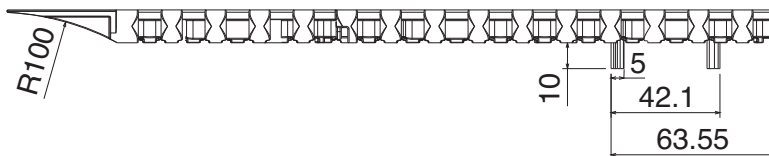
Max w. load: 41500 N/m  
Weight: 12,5 kg/m<sup>2</sup>  
Temp. range: dry -40÷80 °C  
wet -40÷65 °C  
Pin material: PBT white

**17 MWX Polyamide Composite**

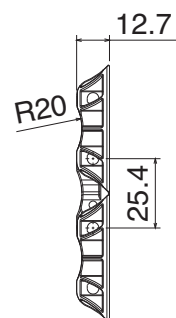
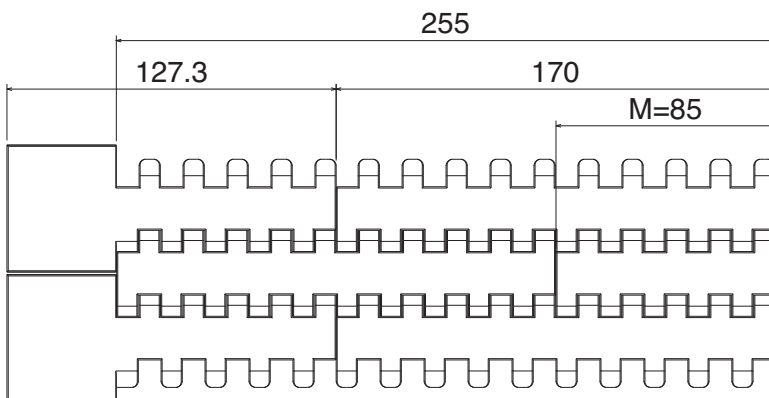
Max w. load: 41500 N/m  
Weight: 13,0 kg/m<sup>2</sup>  
Temp. range: dry -40÷104 °C  
wet NR  
Pin material: PBT white



**VERSION CN**  
(Near)



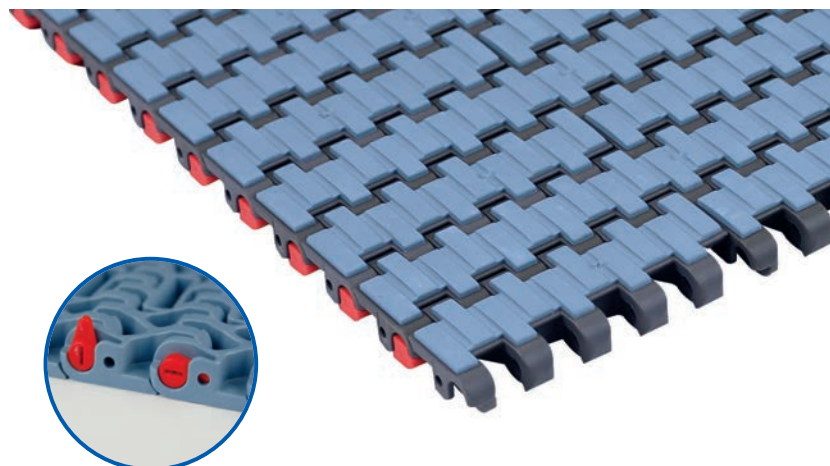
**VERSION CO**  
(Opposite)





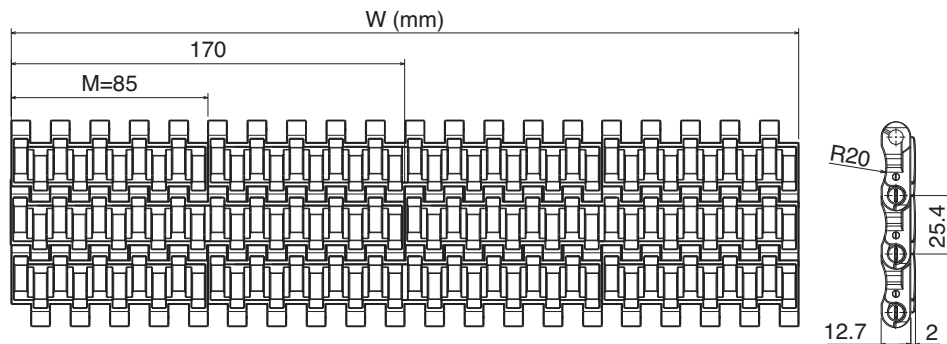
Tappeto Modulare 551 GT, H=12,7 M=85 / Modular Belt Series 551 GT, H=12,7 M=85 / Modulare Mattenkette 551 GT, H=12,7 M=85

Series	Material	Width	Version	Series	Material	Width	Version
5233	*	0085	A	5233	*	0850	A
5233	*	0170	A	5233	*	0935	A
5233	*	0255	A	5233	*	1020	A
5233	*	0340	A	5233	*	1105	A
5233	*	0425	A	5233	*	1190	A
5233	*	0510	A	5233	*	1275	A
5233	*	0595	A	5233	*	1360	A
5233	*	0680	A	5233	*	1445	A
5233	*	0765	A	5233	*	1530	A



CODE STRUCTURE GUIDE			
Series	Material	Width	Version
5233	01	0255	B

### VERSION A - STANDARD



**\* Material**

**01 LFA - Low Friction Acetal**

Max w. load: 41500 N/m  
Weight: 13,5 kg/m<sup>2</sup>  
Temp. range: dry -40÷80 °C  
wet -40÷65 °C

Pin material: PBT white  
Hardness: 75 ShA

**02 PP Polypropylene**

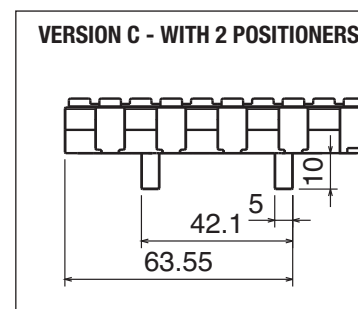
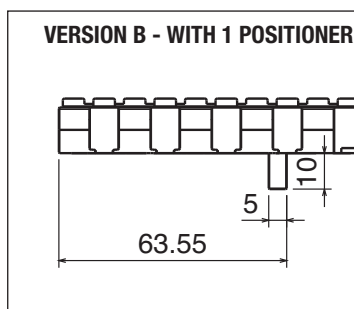
Max w. load: 27000 N/m  
Weight: 11,00 kg/m<sup>2</sup>  
Temp. range: dry 4÷65 °C  
wet 4÷65 °C

Pin material: PP blu  
Hardness: 75 ShA

**03 MX - Performance PBT**

Max w. load: 33500 N/m  
Weight: 12,7 kg/m<sup>2</sup>  
Temp. range: dry -40÷120 °C  
wet -40÷60 °C

Pin material: POM grey  
Hardness: 75 ShA



Series	Material	Width	Version
5233	*	0085	B
5233	*	0170	B
5233	*	0255	B
5233	*	0340	B
5233	*	0425	B
5233	*	0510	B
5233	*	0595	B
5233	*	0680	B
5233	*	0765	B

Series	Material	Width	Version
5233	*	0850	B
5233	*	0935	B
5233	*	1020	B
5233	*	1105	B
5233	*	1190	B
5233	*	1275	B
5233	*	1360	B
5233	*	1445	B
5233	*	1530	B

Series	Material	Width	Version
5233	*	0085	C
5233	*	0170	C
5233	*	0255	C
5233	*	0340	C
5233	*	0425	C
5233	*	0510	C
5233	*	0595	C
5233	*	0680	C
5233	*	0765	C

Series	Material	Width	Version
5233	*	0850	C
5233	*	0935	C
5233	*	1020	C
5233	*	1105	C
5233	*	1190	C
5233	*	1275	C
5233	*	1360	C
5233	*	1445	C
5233	*	1530	C

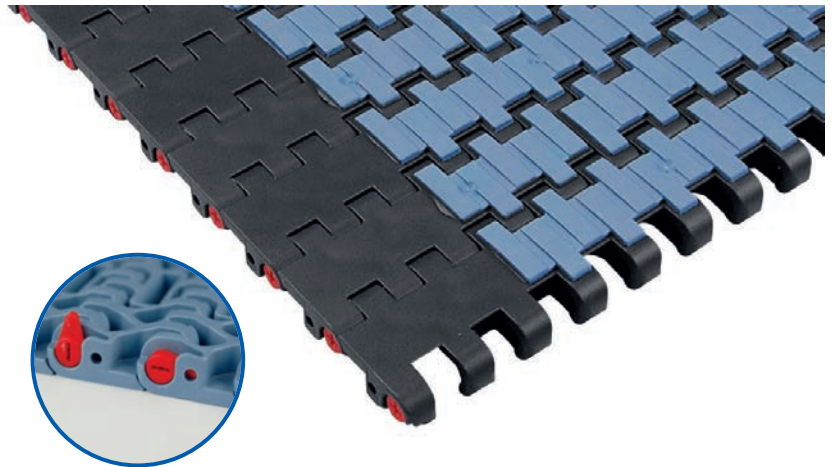




Tappeto Modulare 551 GT, H=12,7 M=85 / Modular Belt Series 551 GT, H=12,7 M=85 / Modulare Mattenkette 551 GT, H=12,7 M=85

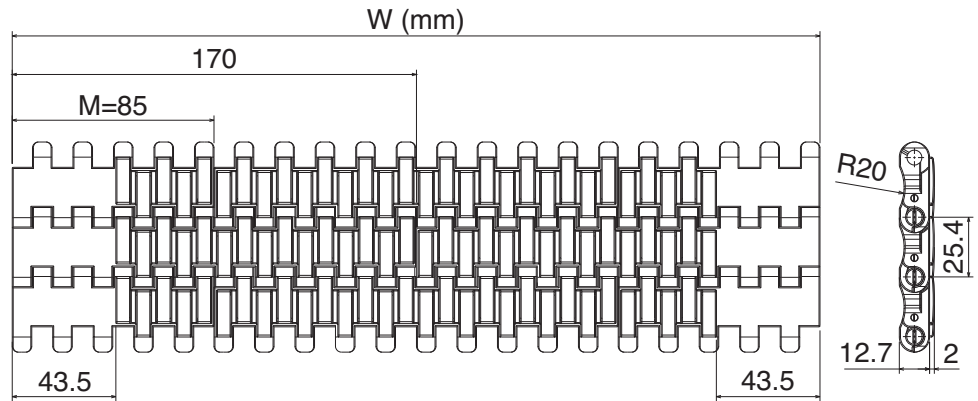
Series	Material	Width	Version
5235	*	0255	A
5235	*	0340	A
5235	*	0425	A
5235	*	0510	A
5235	*	0595	A
5235	*	0680	A
5235	*	0765	A
5235	*	0850	A

Series	Material	Width	Version
5235	*	0935	A
5235	*	1020	A
5235	*	1105	A
5235	*	1190	A
5235	*	1275	A
5235	*	1360	A
5235	*	1445	A
5235	*	1530	A



CODE STRUCTURE GUIDE			
5235	02	0765	A
Series	Material	Width	Version

### VERSION A - STANDARD



**\* Material**

**01 LFA - Low Friction Acetal**

Max w. load: 41500 N/m  
Weight: 13,2 kg/m<sup>2</sup>  
Temp. range: dry -40÷80 °C  
wet -40÷65 °C

Pin material: PBT white  
Hardness: 75 ShA

**02 PP - Polypropylene**

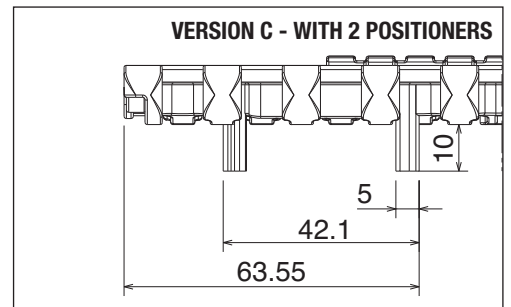
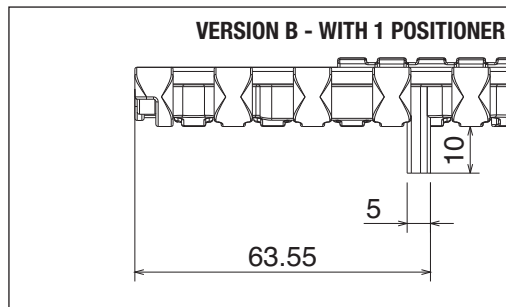
Max w. load: 27000 N/m  
Weight: 10,8 kg/m<sup>2</sup>  
Temp. range: dry 4÷65 °C  
wet 4÷65 °C

Pin material: PP blu  
Hardness: 75 ShA

**03 MX - Performance PBT**

Max w. load: 33500 N/m  
Weight: 12,5 kg/m<sup>2</sup>  
Temp. range: dry -40÷120 °C  
wet -40÷60 °C

Pin material: POM grey  
Hardness: 75 ShA



Series	Material	Width	Version
5235	*	0255	B
5235	*	0340	B
5235	*	0425	B
5235	*	0510	B
5235	*	0595	B
5235	*	0680	B
5235	*	0765	B
5235	*	0850	B

Series	Material	Width	Version
5235	*	0935	B
5235	*	1020	B
5235	*	1105	B
5235	*	1190	B
5235	*	1275	B
5235	*	1360	B
5235	*	1445	B
5235	*	1530	B

Series	Material	Width	Version
5235	*	0255	C
5235	*	0340	C
5235	*	0425	C
5235	*	0510	C
5235	*	0595	C
5235	*	0680	C
5235	*	0765	C
5235	*	0850	C

Series	Material	Width	Version
5235	*	0935	C
5235	*	1020	C
5235	*	1105	C
5235	*	1190	C
5235	*	1275	C
5235	*	1360	C
5235	*	1445	C
5235	*	1530	C

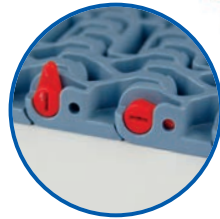
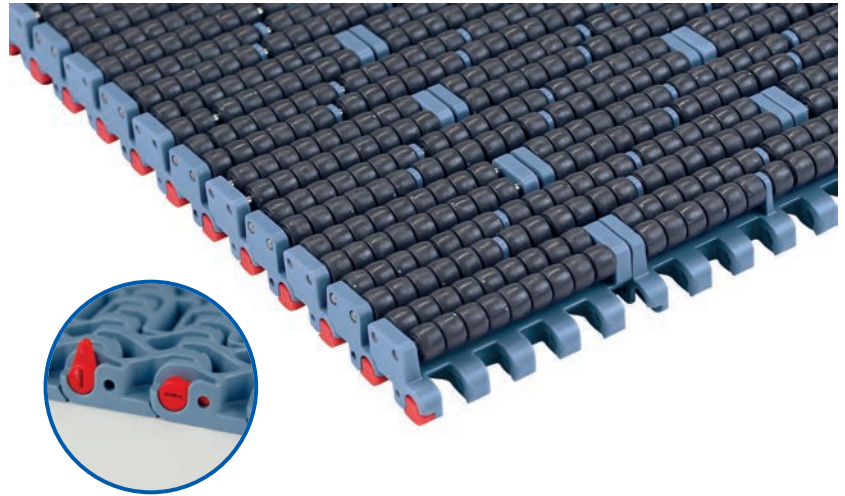




Tappeto Modulare 551 LBP, H=12,7 M=85 / Modular Belt Series 551 LBP, H=12,7 M=85 / Modulare Mattenkette 551 LBP, H=12,7 M=85

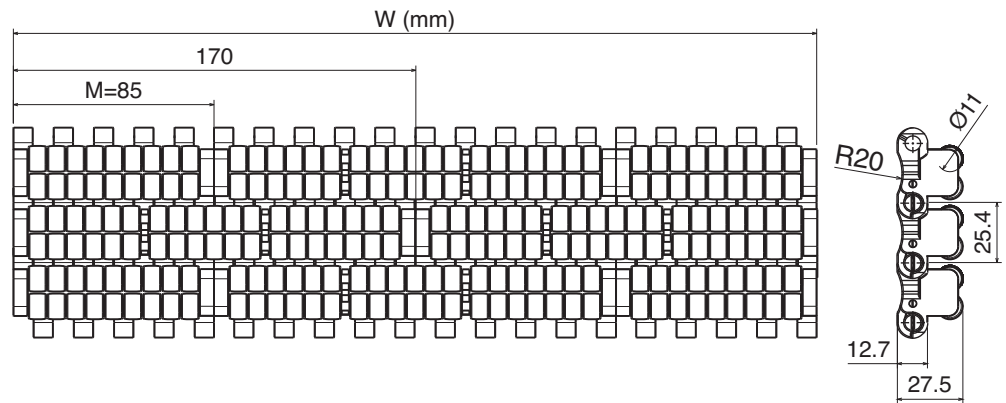
Series	Material	Width	Version
5234	*	0085	A
5234	*	0170	A
5234	*	0255	A
5234	*	0340	A
5234	*	0425	A
5234	*	0510	A
5234	*	0595	A
5234	*	0680	A
5234	*	0765	A

Series	Material	Width	Version
5234	*	0850	A
5234	*	0935	A
5234	*	1020	A
5234	*	1105	A
5234	*	1190	A
5234	*	1275	A
5234	*	1360	A
5234	*	1445	A
5234	*	1530	A



CODE STRUCTURE GUIDE			
<b>5234</b>	<b>01</b>	<b>0425</b>	<b>A</b>
Series	Material	Width	Version

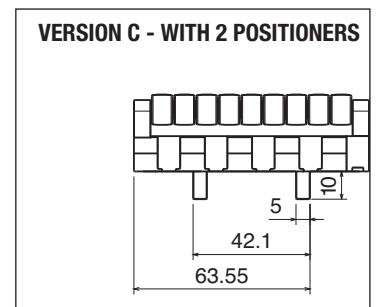
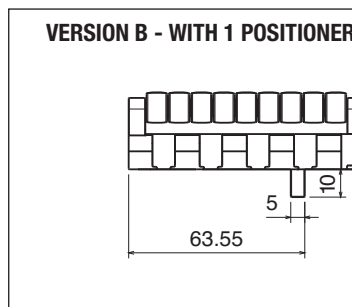
**VERSION A - STANDARD**



**\* Material**

**01 LFA - Low Friction Acetal**

Max w. load: 41500 N/m  
 Weight: 26,9 kg/m<sup>2</sup>  
 Temp. range: dry -40-80 °C  
 wet 1÷65 °C  
 Pin material: PBT white



Series	Material	Width	Version
5234	*	0085	B
5234	*	0170	B
5234	*	0255	B
5234	*	0340	B
5234	*	0425	B
5234	*	0510	B
5234	*	0595	B
5234	*	0680	B
5234	*	0765	B

Series	Material	Width	Version
5234	*	0850	B
5234	*	0935	B
5234	*	1020	B
5234	*	1105	B
5234	*	1190	B
5234	*	1275	B
5234	*	1360	B
5234	*	1445	B
5234	*	1530	B

Series	Material	Width	Version
5234	*	0085	C
5234	*	0170	C
5234	*	0255	C
5234	*	0340	C
5234	*	0425	C
5234	*	0510	C
5234	*	0595	C
5234	*	0680	C
5234	*	0765	C

Series	Material	Width	Version
5234	*	0850	C
5234	*	0935	C
5234	*	1020	C
5234	*	1105	C
5234	*	1190	C
5234	*	1275	C
5234	*	1360	C
5234	*	1445	C
5234	*	1530	C

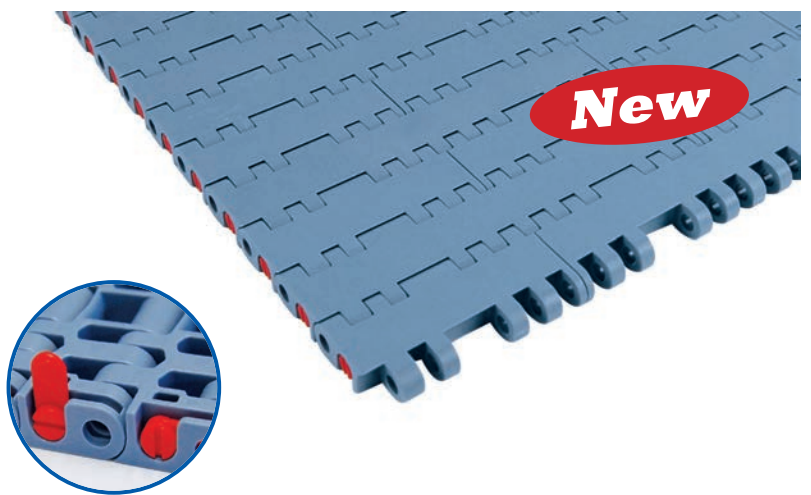




Tappeto Modulare 552 FT, H=12,7 M=3" / Modular Belt Series 552 FT, H=12,7 M=3" / Modulare Mattenkette 552 FT, H=12,7 M=3"

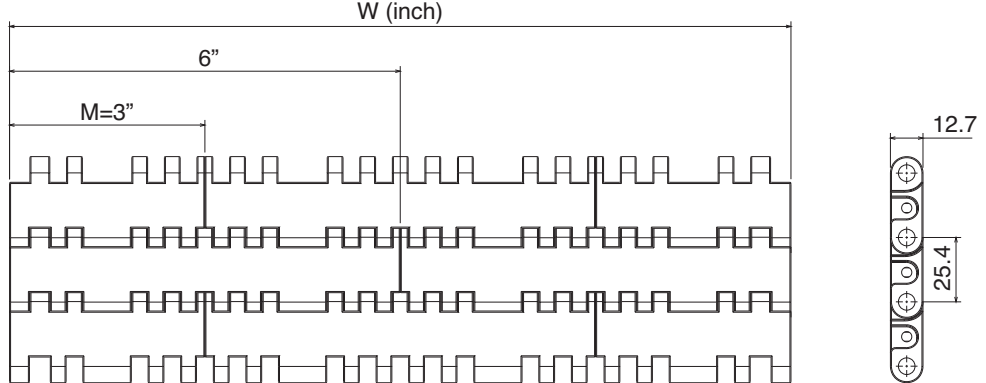
Series	Material	Width	Version
5341	*	0003	A C
5341	*	0006	A C
5341	*	0009	A
5341	*	0012	A
5341	*	0015	A
5341	*	0018	A
5341	*	0021	A
5341	*	0024	A
5341	*	0027	A

Series	Material	Width	Version
5341	*	0030	A
5341	*	0033	A
5341	*	0036	A
5341	*	0039	A
5341	*	0042	A
5341	*	0045	A
5341	*	0048	A
5341	*	0051	A
5341	*	0054	A



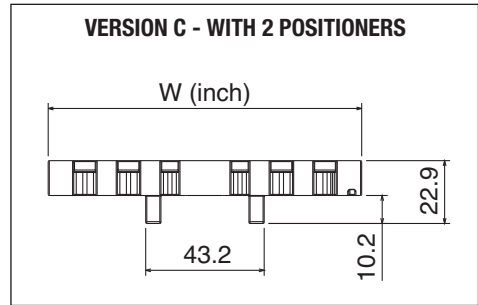
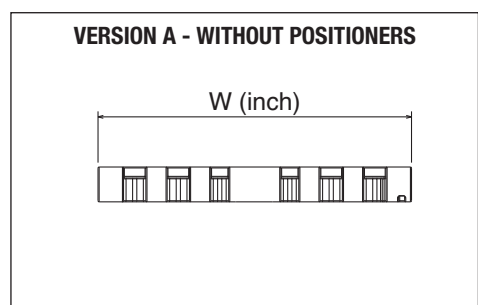
CODE STRUCTURE GUIDE			
5341	*	0021	A
Series	Material	Width	Version

**VERSION A - STANDARD**



**One Track Belt**

* Material	
<b>01 LFA - Low Friction Acetal</b>	
Max w. load:	41500 N/m
Weight:	13.5 kg/m <sup>2</sup>
Temp. range:	dry -40÷80°C wet -40÷65°C
Pin material:	PBT white
<b>03 MX - Performance PBT</b>	
Max w. load:	33500 N/m
Weight:	13.0 kg/m <sup>2</sup>
Temp. range:	dry -40÷120°C wet -40÷60°C
Pin material:	POM grey
<b>08 MK Super Performance Acetal</b>	
Max w. load:	40000 N/m
Weight:	13.5 kg/m <sup>2</sup>
Temp. range:	dry -40÷80°C wet -40÷65°C
Pin material:	PBT white
<b>13 MP - Lubricated Acetal</b>	
Max w. load:	41500 N/m
Weight:	13.5 kg/m <sup>2</sup>
Temp. range:	dry -40÷80°C wet -40÷65°C
Pin material:	PBT white
<b>16 DKM Aramide Reinforced Acetal</b>	
Max w. load:	41500 N/m
Weight:	13.5 kg/m <sup>2</sup>
Temp. range:	dry -40÷80°C wet -40÷65°C
Pin material:	PBT white
<b>17 MWX Polyamide Composite</b>	
Max w. load:	41500 N/m
Weight:	14.0 kg/m <sup>2</sup>
Temp. range:	dry -40÷104°C wet NR
Pin material:	PBT white



K325			
Series	Material	Width	Version
5341	*	9325	A
5341	*	9325	C
K450			
Series	Material	Width	Version
5341	*	9450	A
5341	*	9450	C
K750			
Series	Material	Width	Version
5341	*	9750	A
5341	*	9750	C



Tappeto Modulare 552 FTT, H=12,7 M=3" / Modular Belt Series 552 FTT, H=12,7 M=3" / Modulare Mattenkette 552 FTT, H=12,7 M=3"



CODE STRUCTURE GUIDE

<b>5346</b>	<b>01</b>	<b>9450</b>	<b>C-R</b>
Series	Material	Width	Version



\* Material

**01 LFA** - Low Friction Acetal

Max w. load: 41500 N/m  
Weight: 13.5 kg/m<sup>2</sup>  
Temp. range: dry -40÷80°C  
wet -40÷65°C  
Pin material: PBT white

**03 MX** - Performance PBT

Max w. load: 33500 N/m  
Weight: 13.0 kg/m<sup>2</sup>  
Temp. range: dry -40÷120 °C  
wet -40÷60 °C  
Pin material: POM grey

**08 MK**  
Super Performance Acetal

Max w. load: 40000 N/m  
Weight: 13.5 kg/m<sup>2</sup>  
Temp. range: dry -40÷80 °C  
wet -40÷65 °C  
Pin material: PBT white

**13 MP** - Lubricated Acetal

Max w. load: 41500 N/m  
Weight: 13.5 kg/m<sup>2</sup>  
Temp. range: dry -40÷80 °C  
wet -40÷65 °C  
Pin material: PBT white

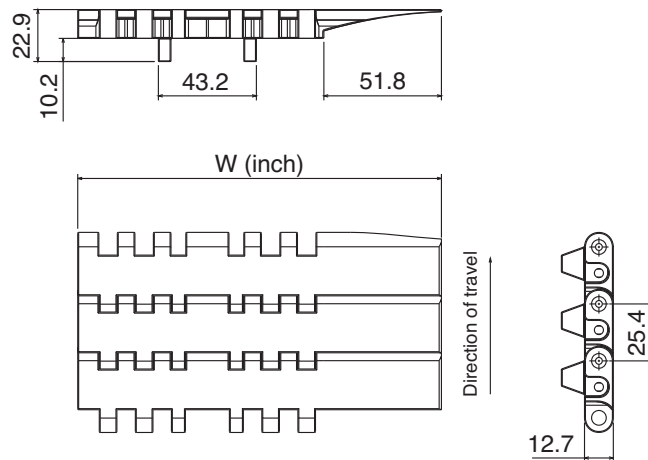
**16 DKM**  
Aramid Reinforced Acetal

Max w. load: 41500 N/m  
Weight: 13.5 kg/m<sup>2</sup>  
Temp. range: dry -40÷80 °C  
wet -40÷65 °C  
Pin material: PBT white

**17 MWX**  
Polyamide Composite

Max w. load: 41500 N/m  
Weight: 14.0 kg/m<sup>2</sup>  
Temp. range: dry -40÷104°C  
wet NR  
Pin material: PBT white

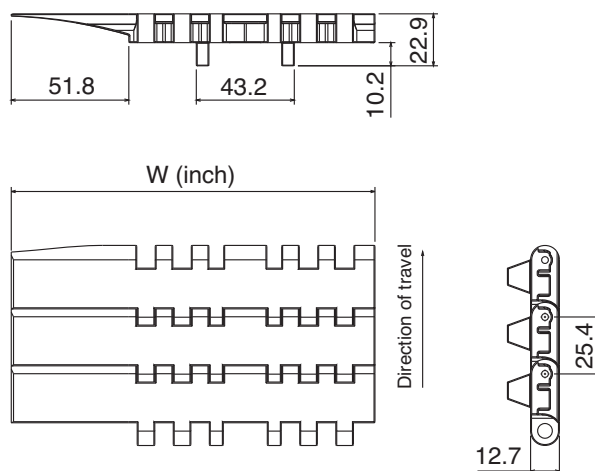
552 FTT DX



K450 / K750

Series	Material	Width	Version
5346	*	9450	C-R
5346	*	9750	C-R

552 FTT SX



K450 / K750

Series	Material	Width	Version
5346	*	9450	C-L
5346	*	9750	C-L





Tappeto Modulare Curvilineo Serie 556, H=12,7 M=3" | Side Flex Modular Belt Series 556, H=12,7 M=3" | Kurvengängige Mattenkette Serie 556, H=12,7 M=3"

**\* Material**

**01 LFA - Low Friction Acetal**

**Max w. load:**  
straight 30.000 N/m  
curve 2.000 N  
**Weight:** 7.5 kg/m<sup>2</sup>  
**Temp. range:** dry -40÷80 °C  
wet -40÷65 °C  
**Pin material:** PBT white

**03 MX - Performance PBT**

**Max w. load:**  
straight 24.000 N/m  
curve 1.500 N  
**Weight:** 7.2 kg/m<sup>2</sup>  
**Temp. range:** dry -40÷120 °C  
wet -40÷60 °C  
**Pin material:** POM grey

**08 MK Super Performance Acetal**

**Max w. load:**  
straight 28.800 N/m  
curve 1.900 N  
**Weight:** 7.7 kg/m<sup>2</sup>  
**Temp. range:** dry -40÷80 °C  
wet -40÷65 °C  
**Pin material:** PBT white

**13 MP - Lubricated Acetal**

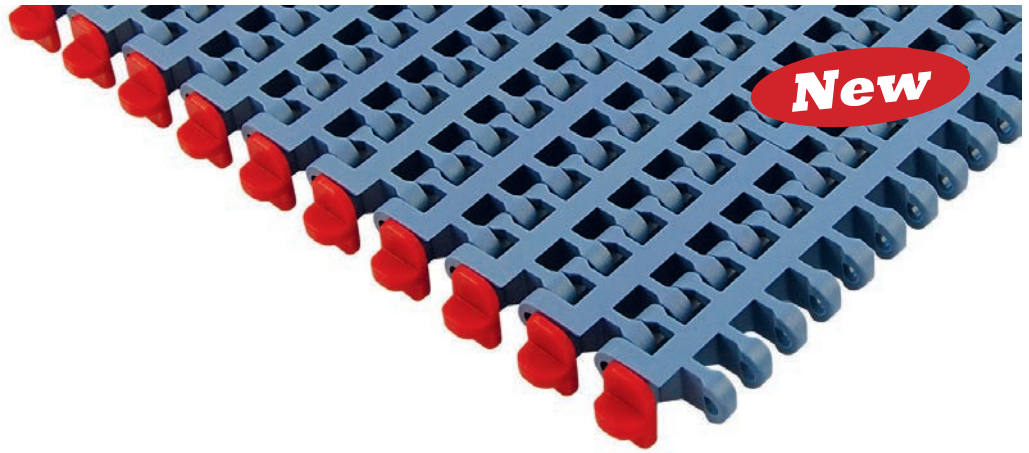
**Max w. load:**  
straight 30.000 N/m  
curve 2.000 N  
**Weight:** 7.5 kg/m<sup>2</sup>  
**Temp. range:** dry -40÷80 °C  
wet -40÷65 °C  
**Pin material:** PBT white

**16 DKM Aramide Reinforced Acetal**

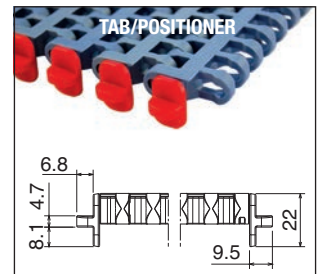
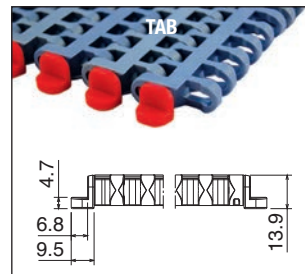
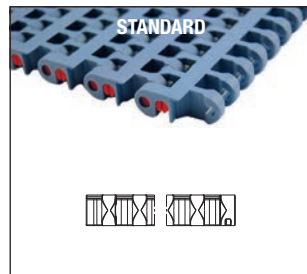
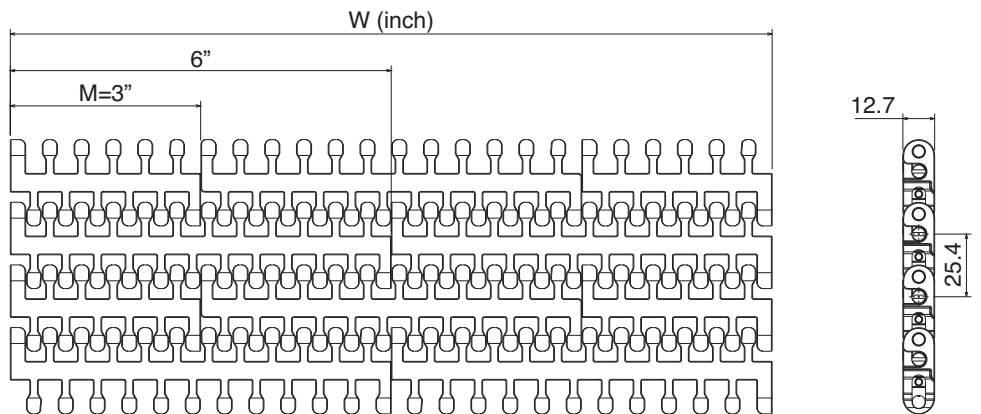
**Max w. load:**  
straight 30.000 N/m  
curve 2.000 N  
**Weight:** 7.5 kg/m<sup>2</sup>  
**Temp. range:** dry -40÷80 °C  
wet -40÷65 °C  
**Pin material:** PBT white

**17 MWX Polyamide Composite**

**Max w. load:**  
straight 30.000 N/m  
curve 2.000 N  
**Weight:** 7.5 kg/m<sup>2</sup>  
**Temp. range:** dry -40÷104 °C  
wet NR  
**Pin material:** PBT white



CODE STRUCTURE GUIDE			
5431	01	0048	C
Series	Material	Width	Version



Series	Material	Width	Version	min radius
One Track Belt				
5431	*	0006	A	290
5431	*	0009	A	435
5431	*	0012	A	580
5431	*	0015	A	725
5431	*	0018	A	890
5431	*	0021	A	1040
5431	*	0024	A	1250

Series	Material	Width	Version	min radius
5431	*	0006	B	290
5431	*	0009	B	435
5431	*	0012	B	580
5431	*	0015	B	725
5431	*	0018	B	890
5431	*	0021	B	1040
5431	*	0024	B	1250

Series	Material	Width	Version	min radius
5431	*	0006	C	290
5431	*	0009	C	435
5431	*	0012	C	580
5431	*	0015	C	725
5431	*	0018	C	890
5431	*	0021	C	1040
5431	*	0024	C	1250







Tappeto Modulare Curvilineo Serie 556 GT, H=12,7 M=3" / Side Flex Modular Belt Series 556 GT, H=12,7 M=3" / Kurvengängige Mattenkette Serie 556 GT, H=12,7 M=3"

**\* Material**

**01 LFA - Low Friction Acetal**

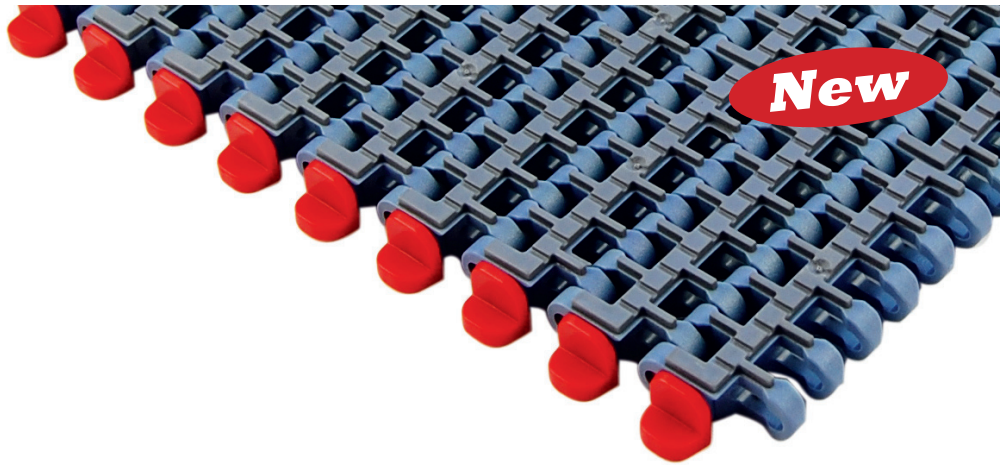
**Max w. load:**  
straight 30.000 N/m  
curve 2.000 N  
**Weight:** 7.7 kg/m<sup>2</sup>  
**Temp. range:** dry -40÷80 °C  
wet -40÷65 °C  
**Pin material:** PBT white  
**Hardness:** 75 ShA

**02 PP  
Polypropylene**

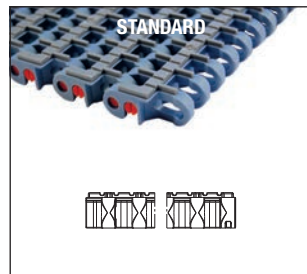
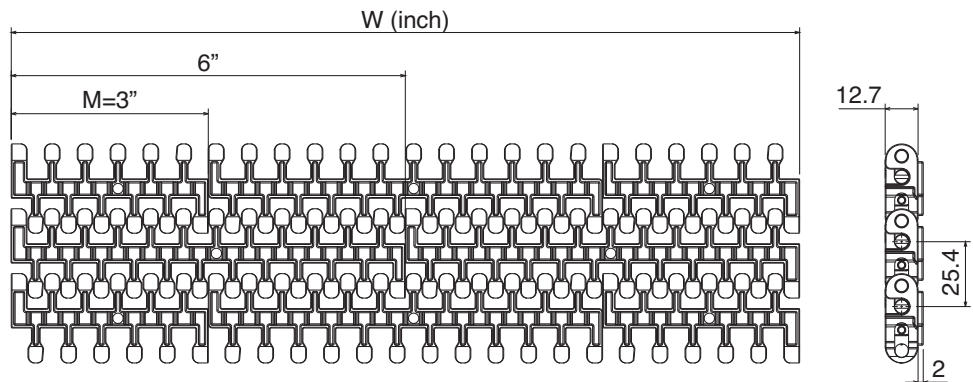
**Max w. load:**  
straight 19.500 N/m  
curve 1.300 N  
**Weight:** 6.0 kg/m<sup>2</sup>  
**Temp. range:** dry 4÷65 °C  
wet 4÷65 °C  
**Pin material:** PP blu  
**Hardness:** 75 ShA

**03 MX - Performance PBT**

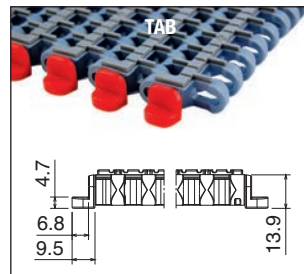
**Max w. load:**  
straight 28.800 N/m  
curve 1.900 N  
**Weight:** 7.8 kg/m<sup>2</sup>  
**Temp. range:** dry -40÷120 °C  
wet -40÷60 °C  
**Pin material:** POM grey  
**Hardness:** 75 ShA



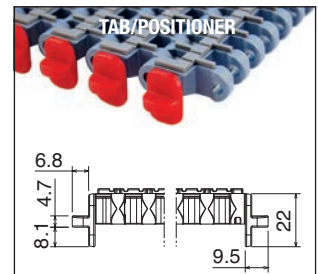
CODE STRUCTURE GUIDE			
<b>5433</b>	<b>02</b>	<b>0018</b>	<b>B</b>
<i>Series</i>	<i>Material</i>	<i>Width</i>	<i>Version</i>



Series	Material	Width	Version	min radius
5433	*	0006	A	290
5433	*	0009	A	435
5433	*	0012	A	580
5433	*	0015	A	725
5433	*	0018	A	890
5433	*	0021	A	1040
5433	*	0024	A	1250



Series	Material	Width	Version	min radius
5433	*	0006	B	290
5433	*	0009	B	435
5433	*	0012	B	580
5433	*	0015	B	725
5433	*	0018	B	890
5433	*	0021	B	1040
5433	*	0024	B	1250



Series	Material	Width	Version	min radius
5433	*	0006	C	290
5433	*	0009	C	435
5433	*	0012	C	580
5433	*	0015	C	725
5433	*	0018	C	890
5433	*	0021	C	1040
5433	*	0024	C	1250



Tappeto Modulare Curvilineo Serie 600, H=12,7 M=85 / Side Flex Modular Belt Series 600, H=12,7 M=85 / Kurvengängige Mattenkette Serie 600, H=12,7 M=85

**\* Material**

**01 LFA - Low Friction Acetal**

**Max w. load:**  
straight 30000 N/m  
curve 2500 N  
**Weight:** 7,7 kg/m<sup>2</sup>  
**Temp. range:** dry -40÷80 °C  
wet -40÷65 °C  
**Pin material:** PBT white

**03 MX - Performance PBT**

**Max w. load:**  
straight 24000 N/m  
curve 2000 N  
**Weight:** 7,5 kg/m<sup>2</sup>  
**Temp. range:** dry -40÷120 °C  
wet -40÷60 °C  
**Pin material:** POM grey

**08 MK Super Performance Acetal**

**Max w. load:**  
straight 28800 N/m  
curve 2400 N  
**Weight:** 7,7 kg/m<sup>2</sup>  
**Temp. range:** dry -40÷80 °C  
wet -40÷65 °C  
**Pin material:** PBT white

**13 MP - Lubricated Acetal**

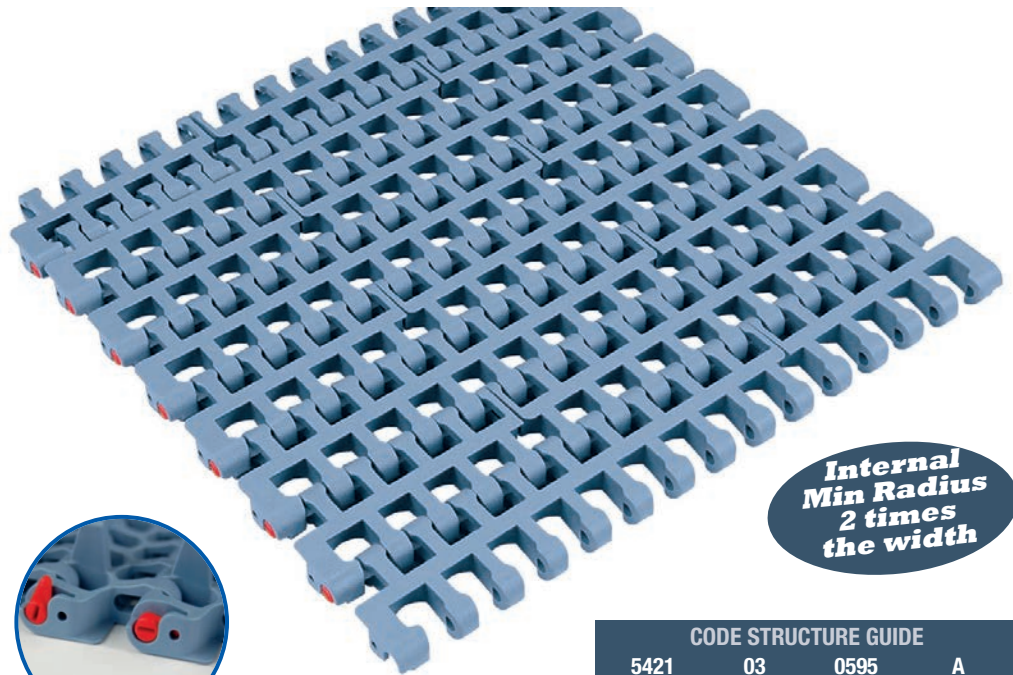
**Max w. load:**  
straight 30000 N/m  
curve 2500 N  
**Weight:** 7,7 kg/m<sup>2</sup>  
**Temp. range:** dry -40÷80 °C  
wet -40÷65 °C  
**Pin material:** PBT white

**16 DKM Aramide Reinforced Acetal**

**Max w. load:**  
straight 30000 N/m  
curve 2500 N  
**Weight:** 7,7 kg/m<sup>2</sup>  
**Temp. range:** dry -40÷80 °C  
wet -40÷65 °C  
**Pin material:** PBT white

**17 MWX Polyamide Composite**

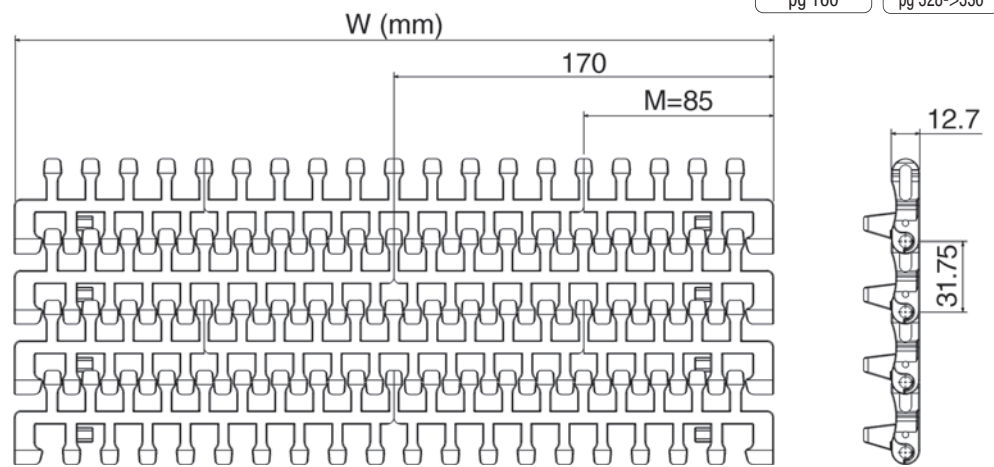
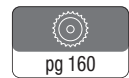
**Max w. load:**  
straight 30000 N/m  
curve 2500 N  
**Weight:** 8,0 kg/m<sup>2</sup>  
**Temp. range:** dry -40÷104 °C  
wet NR  
**Pin material:** PBT white



**Internal Min Radius 2 times the width**

**CODE STRUCTURE GUIDE**

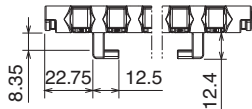
<b>5421</b>	<b>03</b>	<b>0595</b>	<b>A</b>
<i>Series</i>	<i>Material</i>	<i>Width</i>	<i>Version</i>



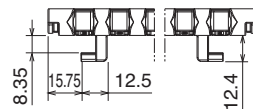
**STANDARD**



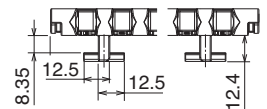
**TAB**



**REVERSE TAB**



**TrT (TAB reverse TAB)**



Series	Material	Width	Version	min radius
5421	*	0255	A	510
5421	*	0340	A	680
5421	*	0425	A	850
5421	*	0510	A	1020
5421	*	0595	A	1190
5421	*	0680	A	1360
5421	*	0765	A	1530
5421	*	0850	A	1700

Series	Material	Width	Version	min radius
5421	*	0255	B	510
5421	*	0340	B	680
5421	*	0425	B	850
5421	*	0510	B	1020
5421	*	0595	B	1190
5421	*	0680	B	1360
5421	*	0765	B	1530
5421	*	0850	B	1700

Series	Material	Width	Version	min radius
5421	*	0255	C	510
5421	*	0340	C	680
5421	*	0425	C	850
5421	*	0510	C	1020
5421	*	0595	C	1190
5421	*	0680	C	1360
5421	*	0765	C	1530
5421	*	0850	C	1700

Series	Material	Width	Version	min radius
5421	*	0255	D	510
5421	*	0340	D	680
5421	*	0425	D	850
5421	*	0510	D	1020
5421	*	0595	D	1190
5421	*	0680	D	1360
5421	*	0765	D	1530
5421	*	0850	D	1700



Tappeto Modulare 500 RR / Raised Rib Belt Series 500 RR / Modulare Mattenkette 500 RR

Series	Material	Width	Series	Material	Width	Version
1348	*	0060	1348	*	0060	C
1348	*	0063	1348	*	0063	C
1348	*	0066	1348	*	0066	C
1348	*	0069	1348	*	0069	C
1348	*	0072	1348	*	0072	C
1348	*	0075	1348	*	0075	C
1348	*	0078	1348	*	0078	C
1348	*	0081	1348	*	0081	C
1348	*	0084	1348	*	0084	C
1348	*	0087	1348	*	0087	C
1348	*	0090	1348	*	0090	C
1348	*	0093	1348	*	0093	C
1348	*	0096	1348	*	0096	C
1348	*	0099	1348	*	0099	C
1348	*	0102	1348	*	0102	C
1348	*	0105	1348	*	0105	C
1348	*	0108	1348	*	0108	C
1348	*	0111	1348	*	0111	C
1348	*	0114	1348	*	0114	C
1348	*	0117	1348	*	0117	C
1348	*	0120	1348	*	0120	C

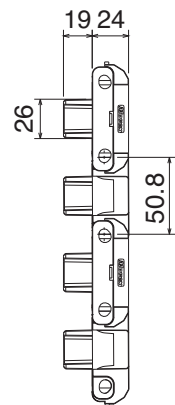
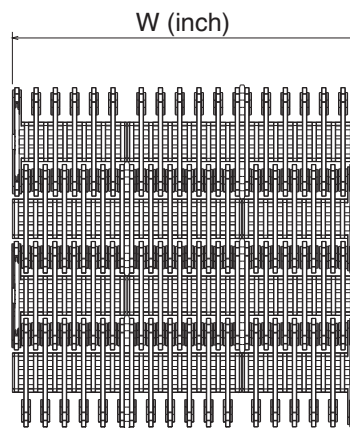
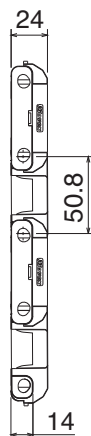
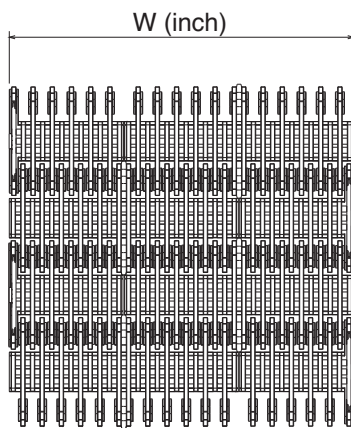
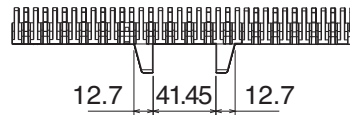


**CODE STRUCTURE GUIDE**

1348	11	0090
Series	Material	Width

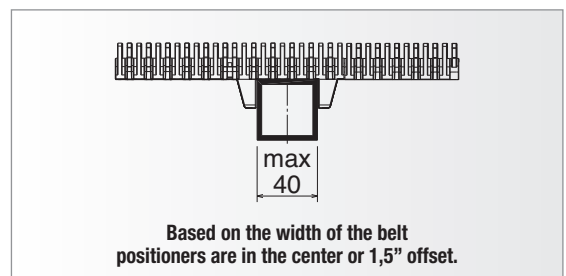
**CODE STRUCTURE GUIDE**

1348	11	0090	C
Series	Material	Width	Version



**\* Material**

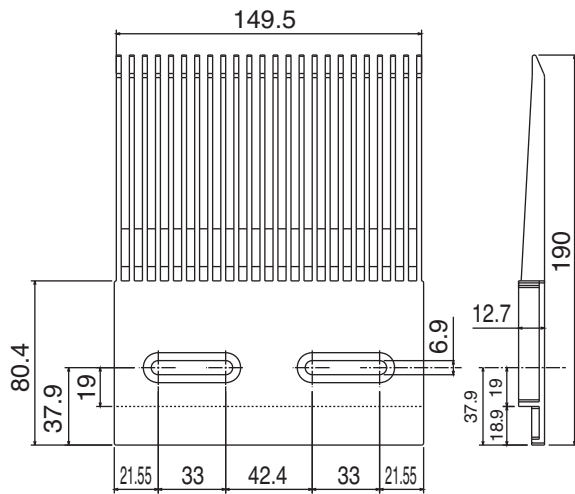
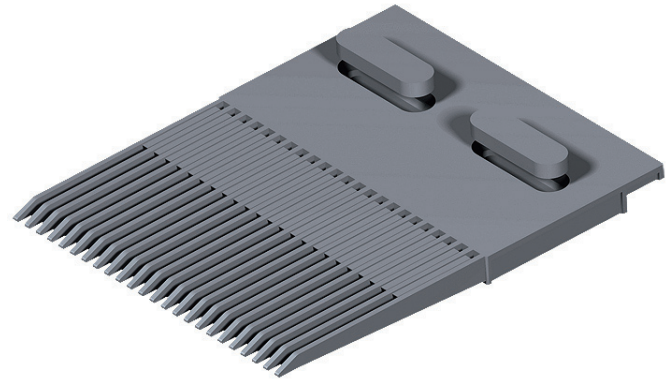
02 PP Polypropylene	11 PPX Polypropylene
Max w. load: 30000 N/m	Max w. load: 30000 N/m
Weight: 10,65 kg/m <sup>2</sup>	Weight: 10,65 kg/m <sup>2</sup>
Temp. range: 4÷104 °C	Temp. range: 4÷104 °C
Pin material: PP grey	Pin material: PP grey



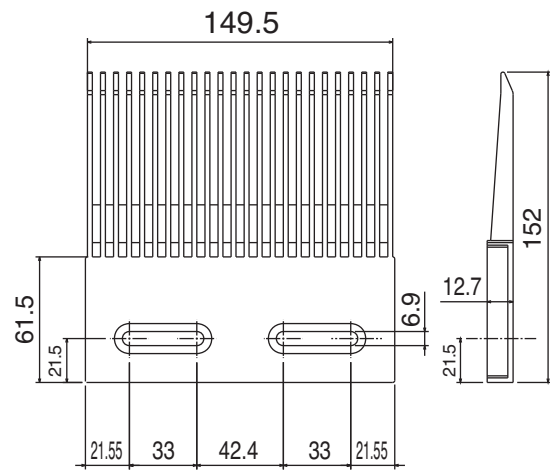
Materiale:	Material:	Materialien:
Resina acetalica	Acetal resin	Azetal
Vite: Acciaio inox	Screw: Stainless steel	Schraube: Edelstahl

## Pettine / Combs / Fingerplatte

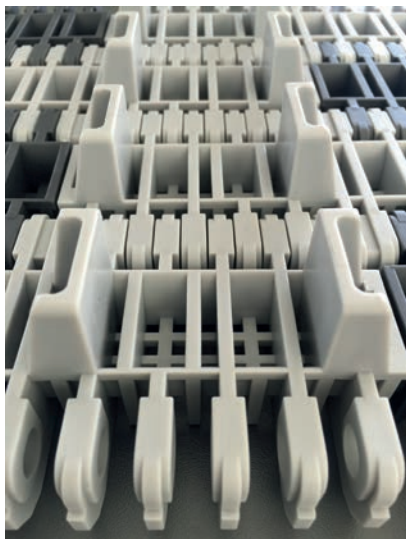
Part	Article-Nr.	A
389	38901	Type A
389	38902	Type B



TYPE A



TYPE B



## 260M FT Catena curvilinea / Sideflexing belt/chain / Kurvengängige Mattenkette

Part	Article-Nr.	Ref.	A	Weight LFA
1151	11510103	260M K330	83,8	1,75
1151	11510105	260M K450	114,3	1,95

**Magnetic System**



### \* Material

#### 01 LFA - Low Friction Acetal

Max w. load: 2000 N/m  
Sideflex radius: 500 mm  
Pin material: Ferritic SS

#### 03 MX - Performance PBT

Max w. load: 1600 N/m  
Sideflex radius: 500 mm  
Pin material: Ferritic SS

#### 08 MK Super Performance Acetal

Max w. load: 1950 N/m  
Sideflex radius: 500 mm  
Pin material: Ferritic SS

#### 13 MP - Lubricated Acetal

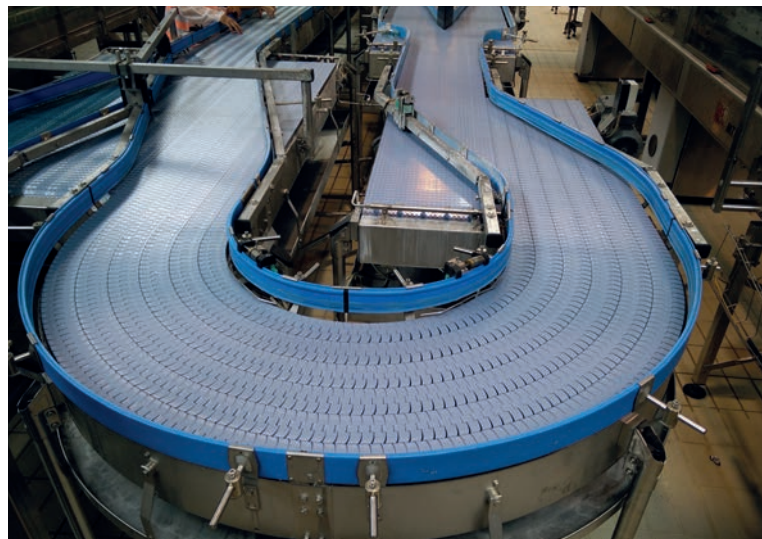
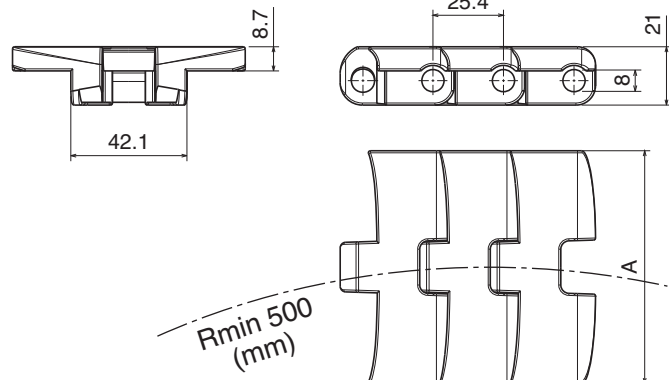
Max w. load: 2000 N/m  
Sideflex radius: mm  
Pin material: Ferritic SS

#### 16 DKM Aramide Reinforced Acetal

Max w. load: 2000 N/m  
Sideflex radius: mm  
Pin material: Ferritic SS

#### 17 MWX Polyamide Composite

Max w. load: 2000 N/m  
Sideflex radius: mm  
Pin material: Ferritic SS



## 260M FG Catena curvilinea / Sideflexing belt/chain / Kurvengängige Mattenkette

Part	Article-Nr.	Ref.	A	Weight LFA
1154	11540103	260M-FG K330	83,8	1,50
1154	11540105	260M-FG K450	114,3	1,65

**New**

**Magnetic System**



### \* Material

#### 01 LFA - Low Friction Acetal

Max w. load: 2000 N/m  
Sideflex radius: 500 mm  
Pin material: Ferritic SS

#### 03 MX - Performance PBT

Max w. load: 1600 N/m  
Sideflex radius: 500 mm  
Pin material: Ferritic SS

#### 08 MK Super Performance Acetal

Max w. load: 1950 N/m  
Sideflex radius: 500 mm  
Pin material: Ferritic SS

#### 13 MP - Lubricated Acetal

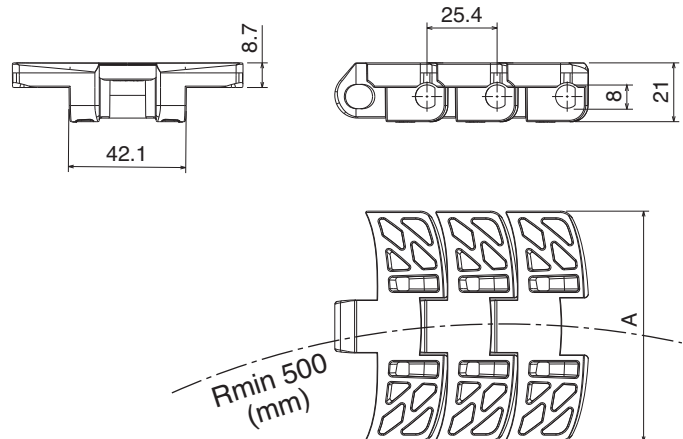
Max w. load: 2000 N/m  
Sideflex radius: mm  
Pin material: Ferritic SS

#### 16 DKM Aramide Reinforced Acetal

Max w. load: 2000 N/m  
Sideflex radius: mm  
Pin material: Ferritic SS

#### 17 MWX Polyamide Composite

Max w. load: 2000 N/m  
Sideflex radius: mm  
Pin material: Ferritic SS



**260TAB** Catena curvilinea / Sideflexing belt/chain / Kurvengängige Mattenkette

Part	Article-Nr.	Ref.	A	Weight LFA
1152	11520103	260TAB K330	83,8	1,85
1152	11520105	260TAB K450	114,3	2,00

**Tab System**



**\* Material**

**01 LFA - Low Friction Acetal**

Max w. load: 2000 N/m  
Sideflex radius: 500 mm  
Pin material: Ferritic SS

**03 MX - Performance PBT**

Max w. load: 1600 N/m  
Sideflex radius: 500 mm  
Pin material: Ferritic SS

**08 MK Super Performance Acetal**

Max w. load: 1950 N/m  
Sideflex radius: 500 mm  
Pin material: Ferritic SS

**13 MP - Lubricated Acetal**

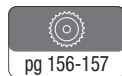
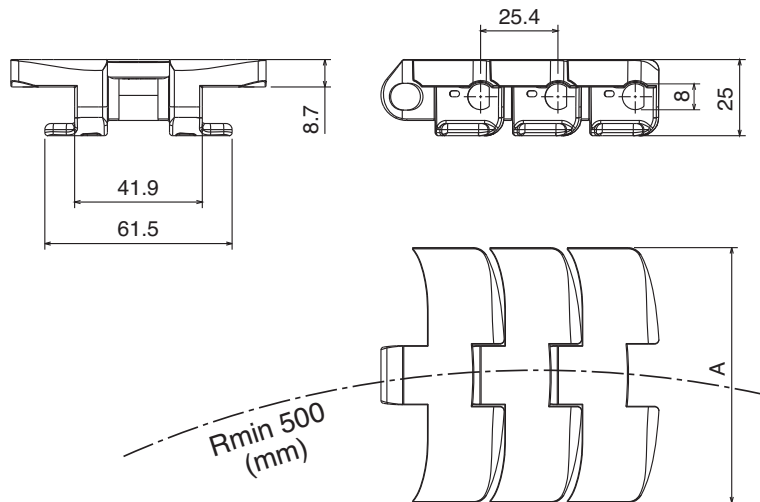
Max w. load: 2000 N/m  
Sideflex radius: mm  
Pin material: Ferritic SS

**16 DKM Aramide Reinforced Acetal**

Max w. load: 2000 N/m  
Sideflex radius: mm  
Pin material: Ferritic SS

**17 MWX Polyamide Composite**

Max w. load: 2000 N/m  
Sideflex radius: mm  
Pin material: Ferritic SS

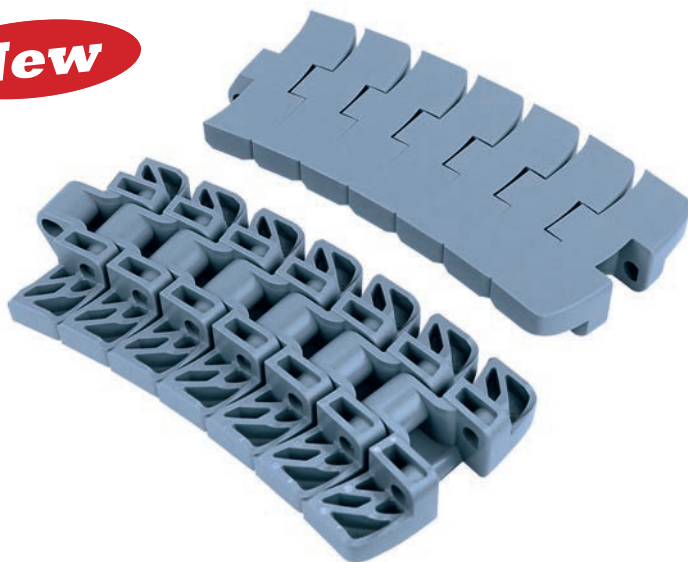


## 261M Catena curvilinea / Sideflexing belt/chain / Kurvengängige Mattenkette

Part	Article-Nr.	Ref.	A	Weight LFA
1153	11530103	261M K330	83,8	2,10
1153	11530105	261M K450	114,3	2,26

**New**

**Magnetic System**



### \* Material

#### 01 LFA - Low Friction Acetal

Max w. load: 2200 N/m  
Sideflex radius: 500 mm  
Pin material: Ferritic SS

#### 03 MX - Performance PBT

Max w. load: 1950 N/m  
Sideflex radius: 500 mm  
Pin material: Ferritic SS

#### 08 MK Super Performance Acetal

Max w. load: 2150 N/m  
Sideflex radius: 500 mm  
Pin material: Ferritic SS

#### 13 MP - Lubricated Acetal

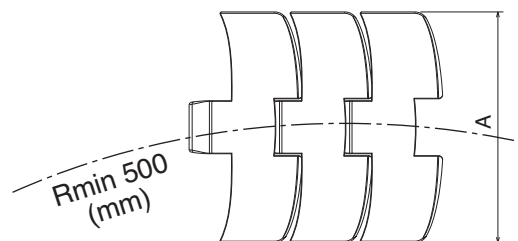
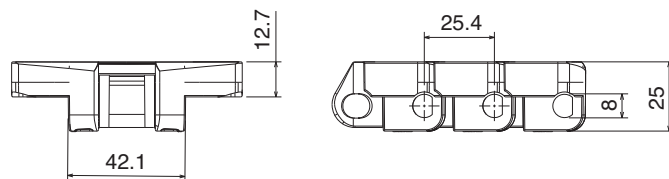
Max w. load: 2200 N/m  
Sideflex radius: mm  
Pin material: Ferritic SS

#### 16 DKM Aramide Reinforced Acetal

Max w. load: 2200 N/m  
Sideflex radius: mm  
Pin material: Ferritic SS













#### 17 MWX Polyamide Composite

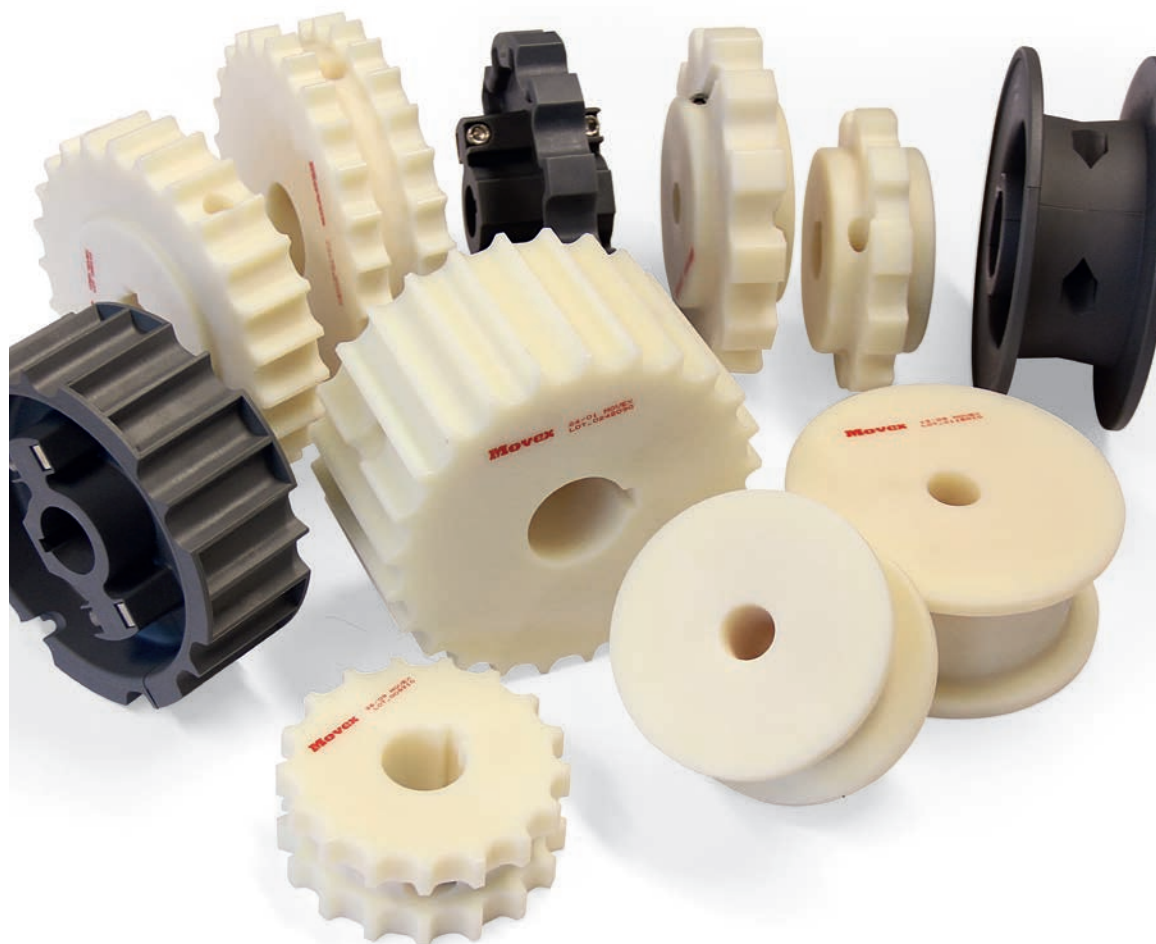
Max w. load: 2200 N/m  
Sideflex radius: mm  
Pin material: Ferritic SS





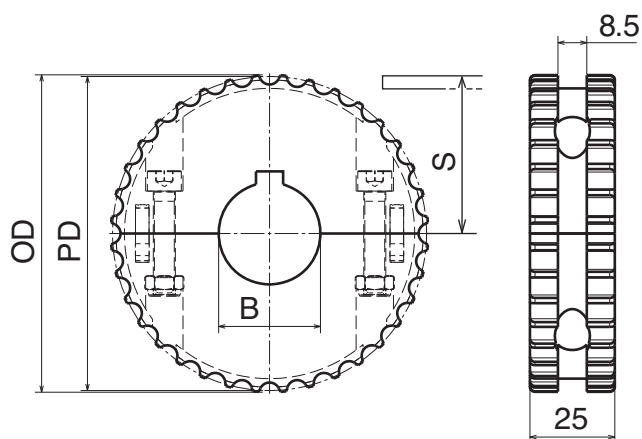
# belt sprockets

510  pag. 144	521  pag. 145	521  pag. 145	520  pag. 146	520  pag. 146	520  pag. 147
520  pag. 147	525-530  pag. 148	525-530  pag. 148	590  pag. 149	590  pag. 149	550  pag. 150
550  pag. 150	550  pag. 151	550  pag. 151	551  pag. 152	551  pag. 152	551  pag. 153
551  pag. 153	552  pag. 154	552  pag. 155	260-261  pag. 156	260-261  pag. 156	260-261  pag. 157
260-261  pag. 157	556  pag. 158	556  pag. 159	600  pag. 160	600  pag. 160	500RR  pag. 161
500RR  pag. 161					





Ruota traino divisa, fresata / Split drive sprocket, machined / geteiltes Antriebskettenrad, gefräst



Materiale:	Material:	Materialien:
Poliammide	Polyamide	Polyamid
Viti: Acciaio inox	Screws: Stainless steel	Schrauben: Edelstahl
Dadi: ferro zincato	Nuts: zinc plated steel	Mutter: verzinkter Stahl

Part	Article-Nr.	z-	Bore	PD	OD	S
1601	159936E	16*	20	41	40,2	16,65
1601	160101E	18*	25	46,5	47,3	20,2
1601	160111E		20*20			
1602	160201E	24*	25	61,8	62,6	27,9
1602	160206E		25*25			
1603	160301	36	25	92,6	93,5	43,3
1603	160302		30			
1603	160303		35			
1603	160304		40			
1603	160306		25*25			
1603	160307		30*30			
1603	160308		40*40			

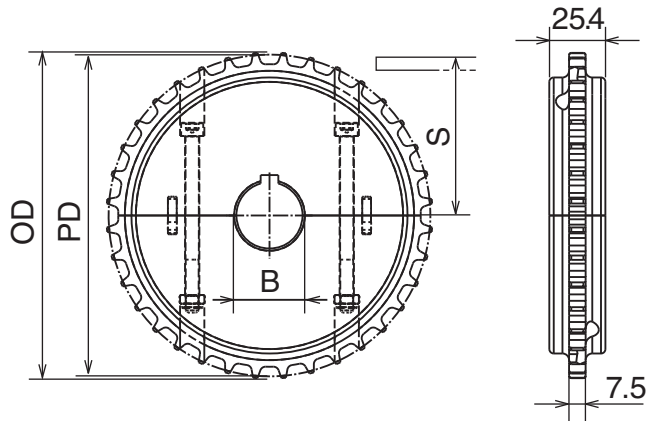
\*Sprocket z-16, z-18 and z-24 are supplied non-split

Materiale:	Material:	Materialien:
Poliammide	Polyamide	Polyamid
Viti: Acciaio inox	Screws: Stainless steel	Schrauben: Edelstahl
Dadi: ferro zincato	Nuts: zinc plated steel	Mutter: verzinkter Stahl

**Ruota traino divisa, fresata / Split drive sprocket, machined / geteiltes Antriebskettenrad, gefräst**

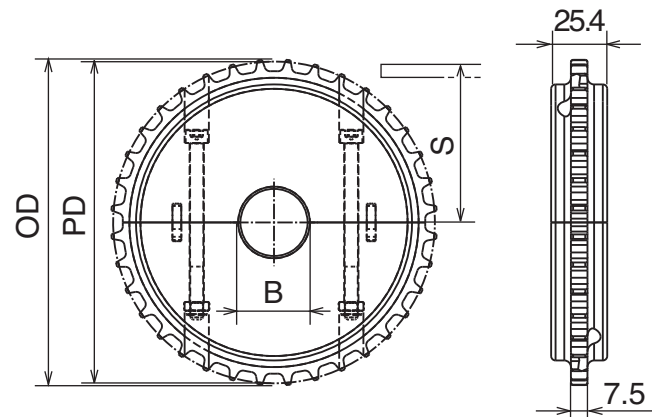


Part	Article-Nr.	z-	Bore	PD	OD	S
1561	156101	28	25	113,4	115,4	52,4
1561	156102		30			
1561	156103		35			
1561	156104		40			
1561	156106		25*25			
1561	156107		30*30			
1561	156108		40*40			
1562	156201	36	25	145,7	147,7	68,5
1562	156202		30			
1562	156203		35			
1562	156204		40			
1562	156206		25*25			
1562	156207		30*30			
1562	156208		40*40			
1563	156301	38	25	153,8	155,8	72,6
1563	156302		30			
1563	156303		35			
1563	156304		40			
1563	156306		25*25			
1563	156307		30*30			
1563	156308		40*40			
1564	156401	40	25	161,9	163,8	76,6
1564	156402		30			
1564	156403		35			
1564	156404		40			
1564	156406		25*25			
1564	156407		30*30			
1564	156408		40*40			

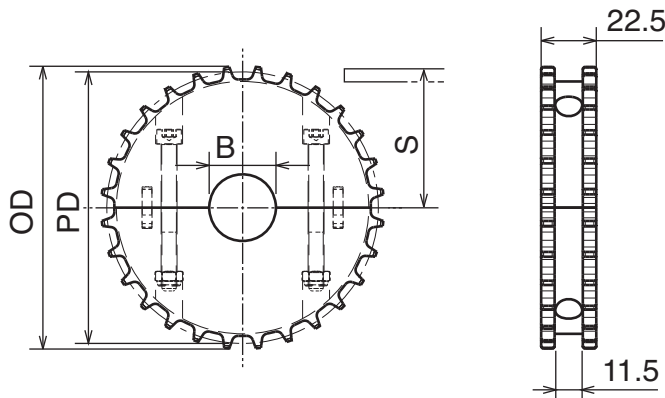
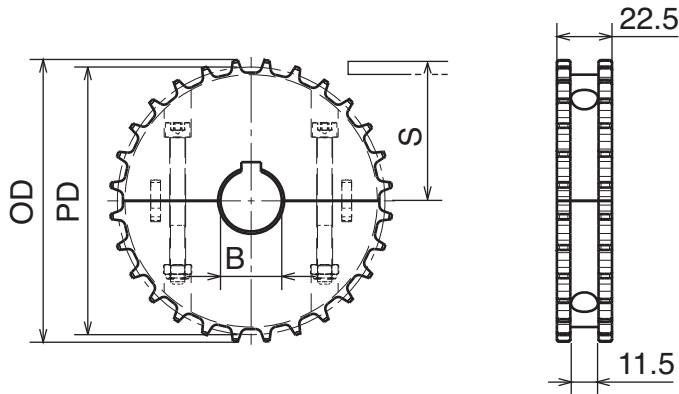


**Ruota rinvio divisa, fresata / Split idler sprocket, machined / geteiltes Umlenkrad, gefräst**

Part	Article-Nr.	z-	Bore	PD	OD	S
1561	156150	28	18*	113,4	115,4	52,4
1561	156151		25			
1561	156152		30			
1561	156153		35			
1561	156154		40			
1562	156250	36	18*	145,7	147,7	68,5
1562	156251		25			
1562	156252		30			
1562	156253		35			
1562	156254		40			
1563	156350	38	18*	153,8	155,8	72,6
1563	156351		25			
1563	156352		30			
1563	156353		35			
1563	156354		40			
1564	156450	40	18*	161,9	163,8	76,6
1564	156451		25			
1564	156452		30			
1564	156453		35			
1564	156454		40			



\*Plain Bore



**Ruota traino divisa, fresata / Split drive sprocket, machined / geteiltes Antriebskettenrad, gefräst**

Part	Article-Nr.	z-	Bore	PD	OD	S
1501	150101	28	25	113,4	115,4	52,4
1501	150102		30			
1501	150103		35			
1501	150104		40			
□	1501	150106	25*25			
□	1501	150107	30*30			
□	1501	150108	40*40			
1502	150201	36	25	145,7	147,7	68,5
1502	150202		30			
1502	150203		35			
1502	150204		40			
□	1502	150206	25*25			
□	1502	150207	30*30			
□	1502	150208	40*40			
1503	150301	38	25	153,8	155,8	72,6
1503	150302		30			
1503	150303		35			
1503	150304		40			
□	1503	150306	25*25			
□	1503	150307	30*30			
□	1503	150308	40*40			
1504	150401	40	25	161,9	163,8	76,6
1504	150402		30			
1504	150403		35			
1504	150404		40			
□	1504	150406	25*25			
□	1504	150407	30*30			
□	1504	150408	40*40			

**Ruota rinvio divisa, fresata / Split idler sprocket, machined / geteiltes Umlenkrad, gefräst**

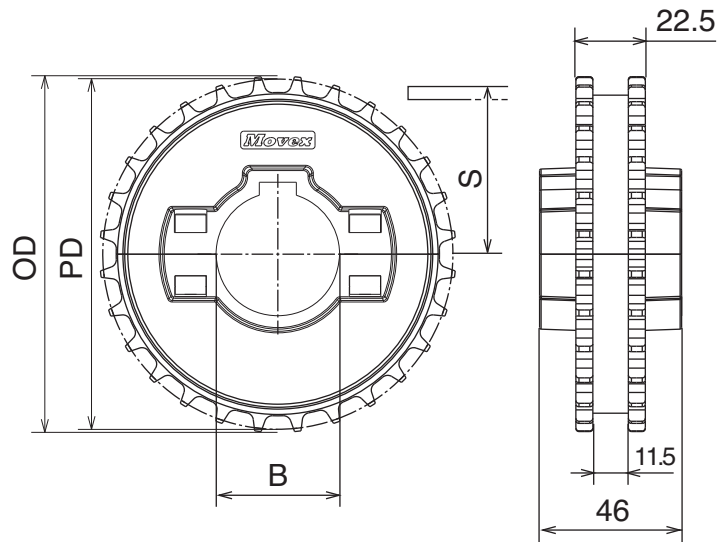
Part	Article-Nr.	z-	Bore	PD	OD	S
1501	150150	28	18*	113,4	115,4	52,4
1501	150151		25			
1501	150152		30			
1501	150153		35			
1501	150154		40			
1502	150250	36	18*	145,7	147,7	68,5
1502	150251		25			
1502	150252		30			
1502	150253		35			
1502	150254		40			
1503	150350	38	18*	153,8	155,8	72,6
1503	150351		25			
1503	150352		30			
1503	150353		35			
1503	150354		40			
1504	150450	40	18*	161,9	163,8	76,6
1504	150451		25			
1504	150452		30			
1504	150453		35			
1504	150454		40			

\*Plain Bore

Materiale:	Material:	Materialien:
Poliamide rinforzato	Polyamide reinforced	Verstärktes Polyamid
Viti: Acciaio inox	Screws: Stainless steel	Schrauben: Edelstahl
Dadi: ottone nichelato	Nuts: nickel plated brass	Mutter: messing vernickelt

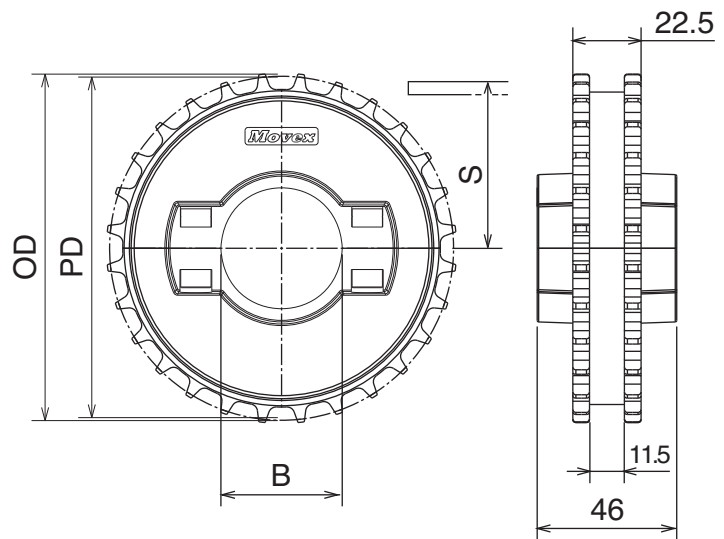
**Ruota traino divisa, stampata / Split drive sprocket, molded / geteiltes Antriebskettenrad, gespritzt**

Part	Article-Nr.	z-	Bore	PD	OD	S
1505	150501	24	25	97,3	99,3	44,3
1505	150502		30			
1505	150503		35			
1505	150504		40			
1505	150506		25*25			
1505	150507		30*30			
1505	150508		40*40			
1506	150601	28	25	113,4	115,4	52,8
1506	150602		30			
1506	150603		35			
1506	150604		40			
1506	150606		25*25			
1506	150607		30*30			
1506	150608		40*40			
1507	150701	36	25	145,7	147,7	68,5
1507	150702		30			
1507	150703		35			
1507	150704		40			
1507	150706		25*25			
1507	150707		30*30			
1507	150708		40*40			



**Ruota rinvio divisa, stampata / Split idler sprocket, molded / geteiltes Umlenkrad, gespritzt**

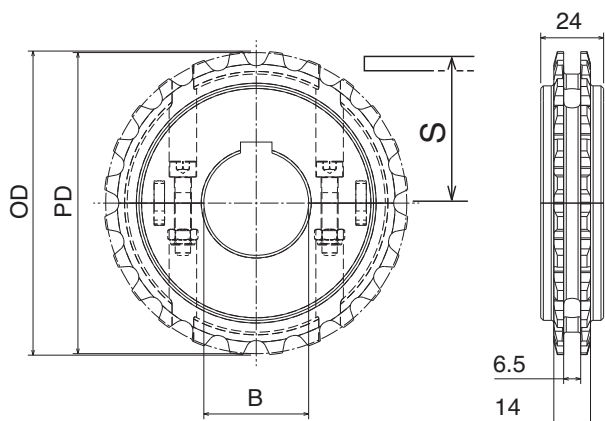
Part	Article-Nr.	z-	Bore	PD	OD	S
1505	150551	24	25	97,3	99,3	44,3
1505	150552		30			
1505	150553		35			
1505	150554		40			
1506	150651	28	25	113,4	115,4	52,8
1506	150652		30			
1506	150653		35			
1506	150654		40			
1507	150751	36	25	145,7	147,7	68,5
1507	150752		30			
1507	150753		35			
1507	150754		40			



Materiale:	Material:	Materialien:
Poliammide	Polyamide	Polyamid
Viti: Acciaio inox	Screws: Stainless steel	Schrauben: Edelstahl
Dadi: ferro zincato	Nuts: zinc plated steel	Mutter: verzinkter Stahl



### Ruota traino divisa, fresata / Split drive sprocket, machined / geteiltes Antriebskettenrad, gefräst

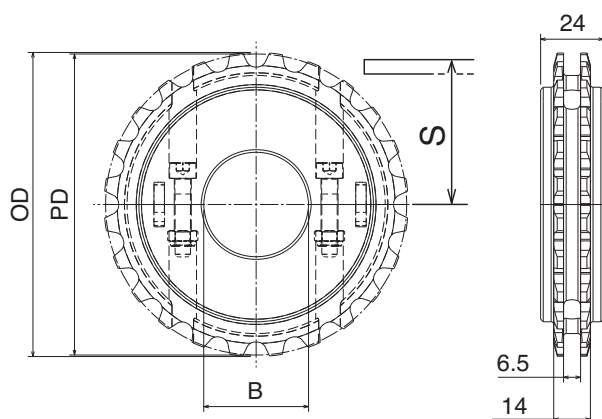


Part	Article-Nr.	z-	Bore	PD	OD	S
1581	158101E	12*	25	58,1	58,2	24,1
1581	158106E		25x25			
1582	158201E	16*	25	77,1	77,7	33,6
1582	158202E		30			
1582	158206E		25x25			
1582	158207E		30x30			
1583	158301	24	25	114,9	115,5	52,5
1583	158302		30			
1583	158303		35			
1583	158304		40			
1583	158306		25x25			
1583	158307		30x30			
1583	158308		40x40			
1584	158401	32	25	153,4	154,8	71,75
1584	158402		30			
1584	158403		35			
1584	158404		40			
1584	158406		25x25			
1584	158407		30x30			
1584	158408		40x40			

\*Sprocket Z-12 and Z-16 are supplied non-split.



### Ruota rinvio divisa, fresata / Split idler sprocket, machined / geteiltes Umlenkrad, gefräst



Part	Article-Nr.	z-	Bore	PD	OD	S
1581	158150E	12**	18*	58,1	58,2	24,1
1581	158151E		25			
1582	158250E	16**	18*	77,1	77,7	33,6
1582	158251E		25			
1582	158252E		30			
1583	158350	24	18*	114,9	115,5	52,5
1583	158351		25			
1583	158352		30			
1583	158353		35			
1583	158354		40			
1584	158450	32	18*	153,4	154,8	71,75
1584	158451		25			
1584	158452		30			
1584	158453		35			
1584	158454		40			

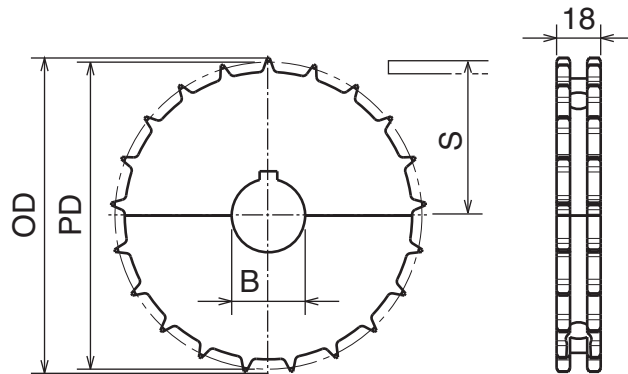
\*\*Idler sprocket Z-12 and Z-16 are supplied non-split.

\*Plain Bore

Materiale:	Material:	Materialien:
Poliamide	Polyamide	Polyamid
Viti: Acciaio inox	Screws: Stainless steel	Schrauben: Edelstahl
Dadi: ferro zincato	Nuts: zinc plated steel	Mutter: verzinkter Stahl

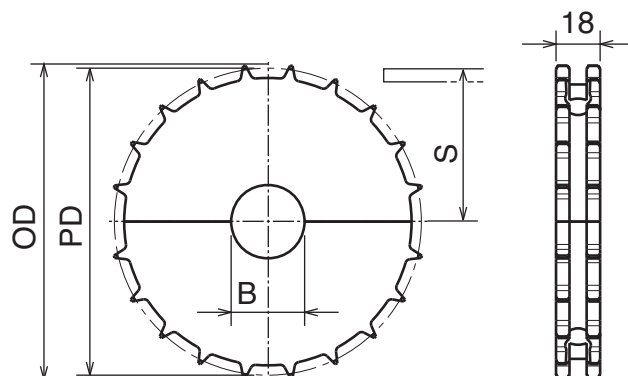
**Ruota traino divisa, fresata / Split drive sprocket, machined / geteiltes Antriebskettenrad, gefräst**

Part	Article-Nr.	z-	Bore	PD	OD	S
1511	151101	17	25	100,7	103,4	46,0
1511	151102		30			
1511	151103		35			
1511	151104		40			
1511	151106		25*25			
1511	151107		30*30			
1511	151108		40*40			
1512	151201	21	25	126	128,7	58,65
1512	151202		30			
1512	151203		35			
1512	151204		40			
1512	151206		25*25			
1512	151207		30*30			
1512	151208		40*40			
1513	151301	24	25	142,9	145,6	67,1
1513	151302		30			
1513	151303		35			
1513	151304		40			
1513	151306		25*25			
1513	151307		30*30			
1513	151308		40*40			
1514	151401	25	25	149	151,7	70,15
1514	151402		30			
1514	151403		35			
1514	151404		40			
1514	151406		25*25			
1514	151407		30*30			
1514	151408		40*40			



**Ruota rinvio divisa, fresata / Split idler sprocket, machined / geteiltes Umlenkrad, gefräst**

Part	Article-Nr.	z-	Bore	PD	OD	S
1511	151150	17	18*	100,7	103,4	46,0
1511	151151		25			
1511	151152		30			
1511	151153		35			
1511	151154		40			
1512	151250	21	18*	126	128,7	58,65
1512	151251		25			
1512	151252		30			
1512	151253		35			
1512	151254		40			
1513	151350	24	18*	142,9	145,6	67,1
1513	151351		25			
1513	151352		30			
1513	151353		35			
1513	151354		40			
1514	151450	25	18*	149	151,7	70,15
1514	151451		25			
1514	151452		30			
1514	151453		35			
1514	151454		40			

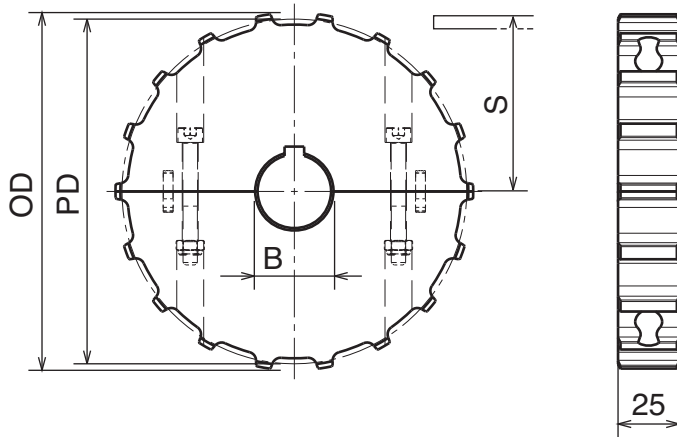


\*Plain Bore

Materiale:	Material:	Materialien:
Poliammide	Polyamide	Polyamid
Viti: Acciaio inox	Screws: Stainless steel	Schrauben: Edelstahl
Dadi: ferro zincato	Nuts: zinc plated steel	Mutter: verzinkter Stahl



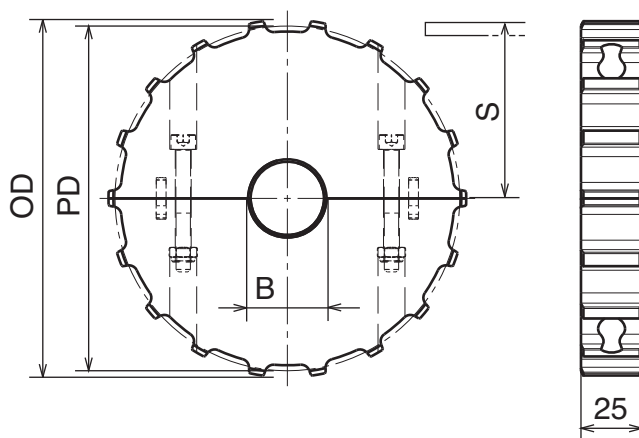
Ruota traino divisa, fresata / Split drive sprocket, machined / geteiltes Antriebskettenrad, gefräst



Part	Article-Nr.	z-	Bore	PD	OD	S
1521	152101	14	25	114,1	114	52,7
1521	152102		30			
1521	152103		35			
1521	152104		40			
1521	152106		25*25			
1521	152107		30*30			
1521	152108		40*40			
1522	152201	16	25	130,2	130	60,7
1522	152202		30			
1522	152203		35			
1522	152204		40			
1522	152206		25*25			
1522	152207		30*30			
1522	152208		40*40			
1523	152301	18	25	146,3	146	68,8
1523	152302		30			
1523	152303		35			
1523	152304		40			
1523	152306		25*25			
1523	152307		30*30			
1523	152308		40*40			
1524	152401	20	25	162,4	162	76,8
1524	152402		30			
1524	152403		35			
1524	152404		40			
1524	152406		25*25			
1524	152407		30*30			
1524	152408		40*40			



Ruota rinvio divisa, fresata / Split idler sprocket, machined / geteiltes Umlenkrad, gefräst



Part	Article-Nr.	z-	Bore	PD	OD	S
1521	152150	14	18*	114,1	114	52,7
1521	152151		25			
1521	152152		30			
1521	152153		35			
1521	152154		40			
1522	152250	16	18*	130,2	130	60,7
1522	152251		25			
1522	152252		30			
1522	152253		35			
1522	152254		40			
1523	152350	18	18*	146,3	146	68,8
1523	152351		25			
1523	152352		30			
1523	152353		35			
1523	152354		40			
1524	152450	20	18*	162,4	162	76,8
1524	152451		25			
1524	152452		30			
1524	152453		35			
1524	152454		40			

\*Plain Bore

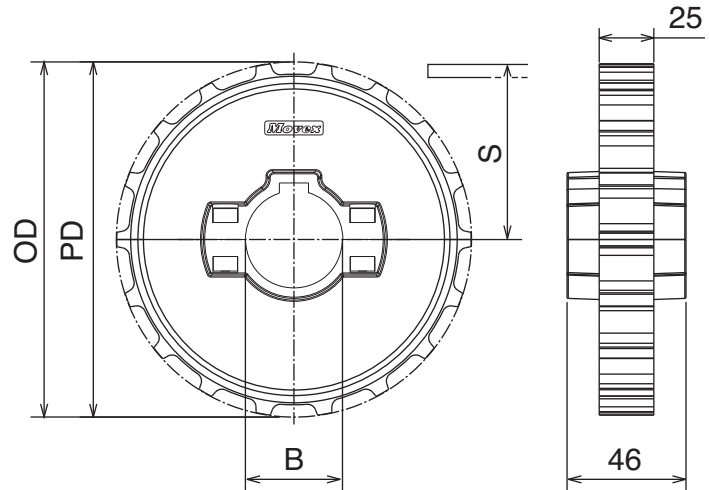


Materiale:	Material:	Materialien:
Poliamide rinforzato	Polyamide reinforced	Verstärktes Polyamid
Viti: Acciaio inox	Screws: Stainless steel	Schrauben: Edelstahl
Dadi: ottone nichelato	Nuts: nickel plated brass	Mutter: messing vernickelt

**Ruota traino divisa, stampata / Split drive sprocket, molded / geteiltes Antriebskettenrad, gespritzt**

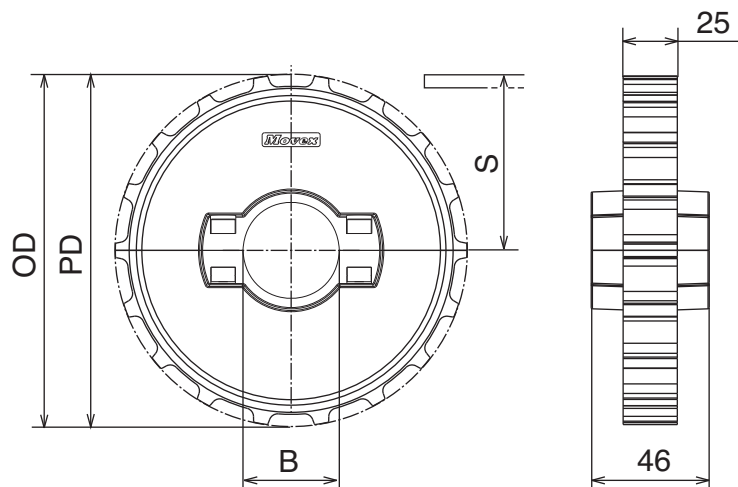


Part	Article-Nr.	z-	Bore	PD	OD	S
1525	152501	14	25	114,1	114	52,7
1525	152502		30			
1525	152503		35			
1525	152504		40			
1525	152506		25*25			
1525	152507		30*30			
1525	152508		40*40			
1526	152601	16	25	130,2	130	60,7
1526	152602		30			
1526	152603		35			
1526	152604		40			
1526	152606		25*25			
1526	152607		30*30			
1526	152608		40*40			
1527	152701	18	25	146,3	146	68,8
1527	152702		30			
1527	152703		35			
1527	152704		40			
1527	152706		25*25			
1527	152707		30*30			
1527	152708		40*40			
1528	152801	20	25	162,4	162	76,8
1528	152802		30			
1528	152803		35			
1528	152804		40			
1528	152806		25*25			
1528	152807		30*30			
1528	152808		40*40			



**Ruota rinvio divisa, stampata / Split idler sprocket, molded / geteiltes Umlenkrad, gespritzt**

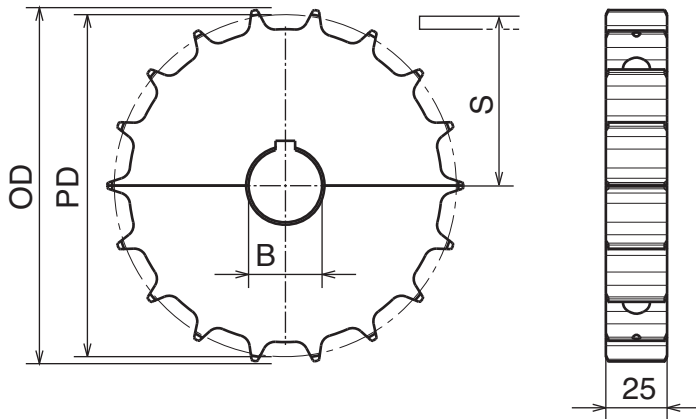
Part	Article-Nr.	z-	Bore	PD	OD	S
1525	152551	14	25	114,1	114	52,7
1525	152552		30			
1525	152553		35			
1525	152554		40			
1526	152651	16	25	130,2	130	60,7
1526	152652		30			
1526	152653		35			
1526	152654		40			
1527	152751	18	25	146,3	146	68,8
1527	152752		30			
1527	152753		35			
1527	152754		40			
1528	152851	20	25	162,4	162	76,8
1528	152852		30			
1528	152853		35			
1528	152854		40			



Materiale:	Material:	Materialien:
Poliammide	Polyamide	Polyamid
Viti: Acciaio inox	Screws: Stainless steel	Schrauben: Edelstahl
Dadi: ferro zincato	Nuts: zinc plated steel	Mutter: verzinkter Stahl



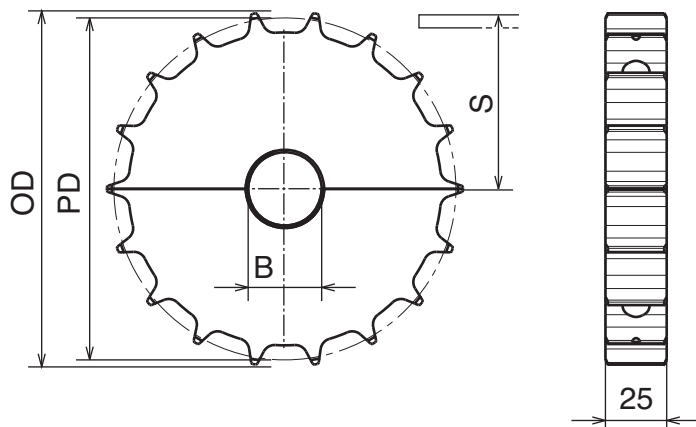
Ruota traino divisa, fresata / Split drive sprocket, machined / geteiltes Antriebskettenrad, gefräst



Part	Article-Nr.	z-	Bore	PD	OD	S
1531	153101	14	25	114,2	113,5	50,7
1531	153102		30			
1531	153103		35			
1531	153104		40			
1531	153106		25*25			
1531	153107		30*30			
1531	153108		40*40			
1532	153201	16	25	130,2	129	58,7
1532	153202		30			
1532	153203		35			
1532	153204		40			
1532	153206		25*25			
1532	153207		30*30			
1532	153208		40*40			
1533	153301	18	25	146,3	145,3	66,7
1533	153302		30			
1533	153303		35			
1533	153304		40			
1533	153306		25*25			
1533	153307		30*30			
1533	153308		40*40			
1534	153401	20	25	162,4	161,7	74,8
1534	153402		30			
1534	153403		35			
1534	153404		40			
1534	153406		25*25			
1534	153407		30*30			
1534	153408		40*40			



Ruota rinvio divisa, fresata / Split idler sprocket, machined / geteiltes Umlenkrad, gefräst



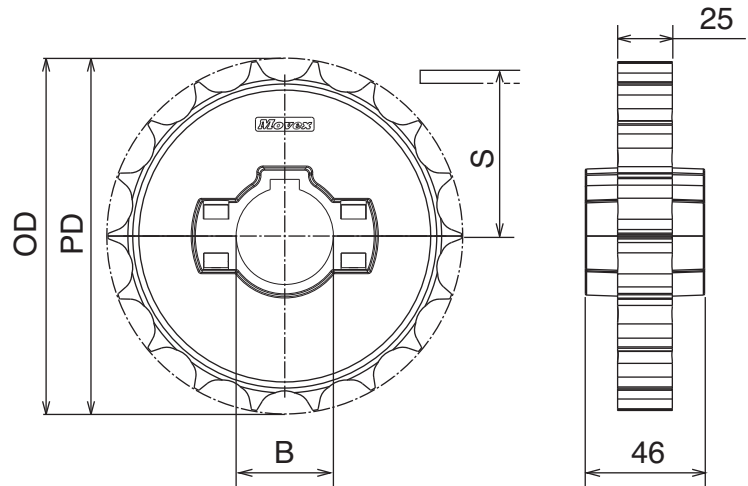
Part	Article-Nr.	z-	Bore	PD	OD	S
1531	153150	14	18*	114,2	114	50,7
1531	153151		25			
1531	153152		30			
1531	153153		35			
1531	153154		40			
1532	153250	16	18*	130,2	129	58,7
1532	153251		25			
1532	153252		30			
1532	153253		35			
1532	153254		40			
1533	153350	18	18*	146,3	145,3	66,7
1533	153351		25			
1533	153352		30			
1533	153353		35			
1533	153354		40			
1534	153450	20	18*	162,4	161,7	74,8
1534	153451		25			
1534	153452		30			
1534	153453		35			
1534	153454		40			

\*Plain Bore

Materiale:	Material:	Materialien:
Poliamide rinforzato	Polyamide reinforced	Verstärktes Polyamid
Viti: Acciaio inox	Screws: Stainless steel	Schrauben: Edelstahl
Dadi: ottone nichelato	Nuts: nickel plated brass	Mutter: messing vernickelt

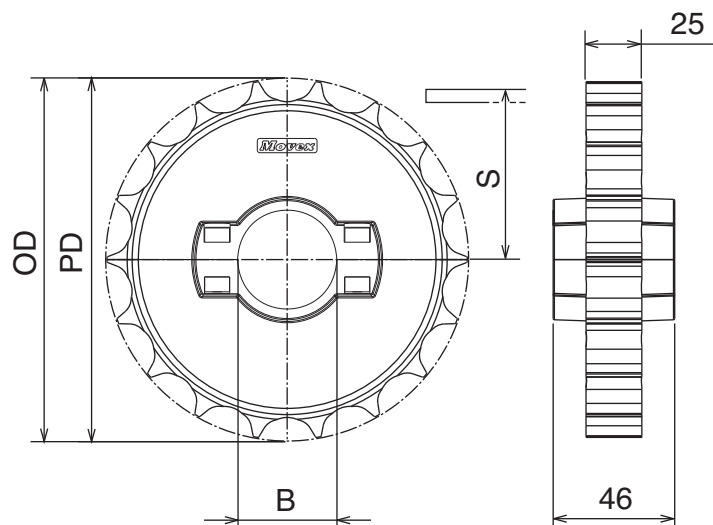
**Ruota traino divisa, stampata / Split drive sprocket, molded / geteiltes Antriebskettenrad, gespritzt**

Part	Article-Nr.	z-	Bore	PD	OD	S
1535	153501	14	25	114,2	114	50,7
1535	153502		30			
1535	153503		35			
1535	153504		40			
1535	153506		25*25			
1535	153507		30*30			
1535	153508		40*40			
1536	153601	16	25	130,2	129	58,7
1536	153602		30			
1536	153603		35			
1536	153604		40			
1536	153606		25*25			
1536	153607		30*30			
1536	153608		40*40			
1537	153701	18	25	146,3	145,3	66,7
1537	153702		30			
1537	153703		35			
1537	153704		40			
1537	153706		25*25			
1537	153707		30*30			
1537	153708		40*40			
1538	153801	20	25	162,4	161,7	74,8
1538	153802		30			
1538	153803		35			
1538	153804		40			
1538	153806		25*25			
1538	153807		30*30			
1538	153808		40*40			



**Ruota rinvio divisa, stampata / Split idler sprocket, molded / geteiltes Umlenkrad, gespritzt**

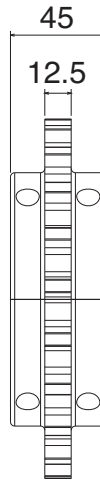
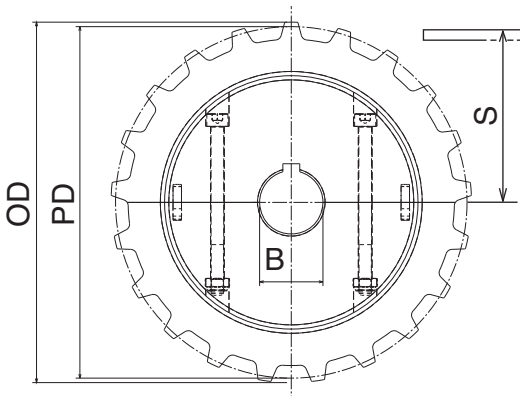
Part	Article-Nr.	z-	Bore	PD	OD	S
1535	153551	14	25	114,2	114	50,7
1535	153552		30			
1535	153553		35			
1535	153554		40			
1536	153651	16	25	130,2	129	58,7
1536	153652		30			
1536	153653		35			
1536	153654		40			
1537	153751	18	25	146,3	145,3	66,7
1537	153752		30			
1537	153753		35			
1537	153754		40			
1538	153851	20	25	162,4	161,7	74,8
1538	153852		30			
1538	153853		35			
1538	153854		40			





**New**

Ruota traino divisa, fresata / Split drive sprocket, machined / geteiltes Antriebskettenrad, gefräst



Materiale:	Material:	Materialien:
Poliammide	Polyamide	Polyamid
Viti: Acciaio inox	Screws: Stainless steel	Schrauben: Edelstahl
Dadi: ferro zincato	Nuts: zinc plated steel	Mutter: verzinkter Stahl

Part	Article-Nr.	z-	Bore	PD	OD	S
1611	161101	16	25	130,2	130,6	58,7
1611	161102	16	30			
1611	161103	16	35			
1611	161104	16	40			
1611	161106	16	25*25			
1611	161107	16	30*30			
1611	161108	16	40*40			
1612	161201	18	25	146,3	146,9	66,8
1612	161202	18	30			
1612	161203	18	35			
1612	161204	18	40			
1612	161206	18	25*25			
1612	161207	18	30*30			
1612	161208	18	40*40			
1613	161301	21	25	170,4	170,7	78,8
1613	161302	21	30			
1613	161303	21	35			
1613	161304	21	40			
1613	161306	21	25*25			
1613	161307	21	30*30			
1613	161308	21	40*40			
1614	161401	25	25	202,7	204,2	95
1614	161402	25	30			
1614	161403	25	35			
1614	161404	25	40			
1614	161406	25	25*25			
1614	161407	25	30*30			
1614	161408	25	40*40			

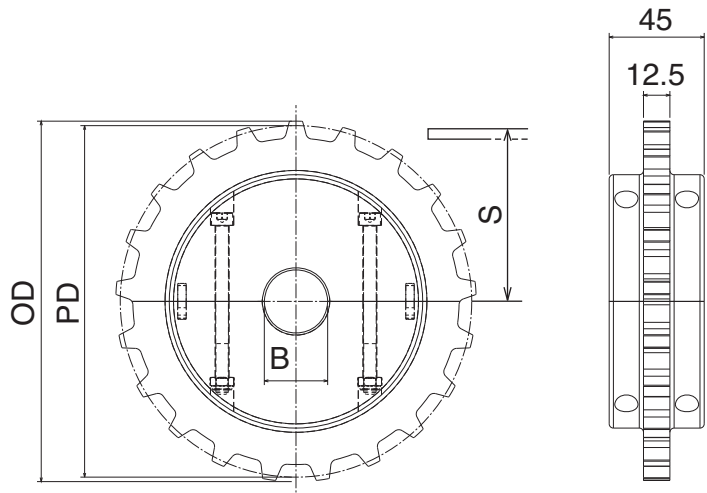
Materiale:	Material:	Materialien:
Poliamide rinforzato	Polyamide reinforced	Verstärktes Polyamid
Viti: Acciaio inox	Screws: Stainless steel	Schrauben: Edelstahl
Dadi: ottone nichelato	Nuts: nickel plated brass	Mutter: messing vernickelt

**New**



**Ruota rinvio divisa, fresata / Split idler sprocket, machined / geteiltes Umlenkrad, gefräst**

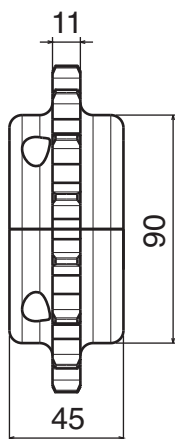
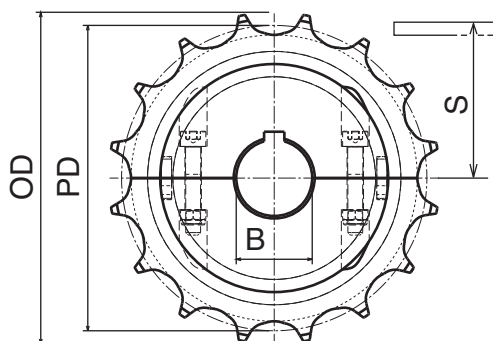
Part	Article-Nr.	z-	Bore	PD	OD	S
1611	161150	16	18*	130,2	130,6	58,7
1611	161151	16	25			
1611	161152	16	30			
1611	161153	16	35			
1611	161154	16	40			
1612	161250	18	18*	146,3	146,9	66,8
1612	161251	18	25			
1612	161252	18	30			
1612	161253	18	35			
1612	161254	18	40			
1613	161350	21	18*	170,4	170,7	78,8
1613	161351	21	25			
1613	161352	21	30			
1613	161353	21	35			
1613	161354	21	40			
1614	161450	25	18*	202,7	204,2	95
1614	161451	25	25			
1614	161452	25	30			
1614	161453	25	35			
1614	161454	25	40			



Materiale:	Material:	Materialien:
Poliammide	Polyamide	Polyamid
Viti: Acciaio inox	Screws: Stainless steel	Schrauben: Edelstahl
Dadi: ferro zincato	Nuts: zinc plated steel	Mutter: verzinkter Stahl



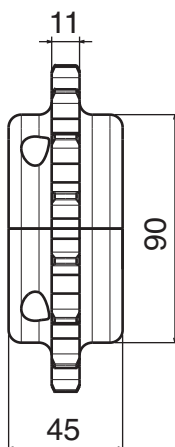
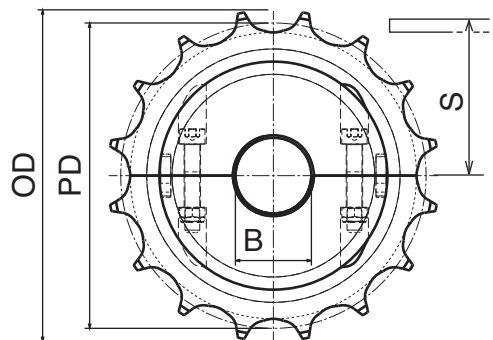
Ruota traino divisa, fresata / Split drive sprocket, machined / geteiltes Antriebskettenrad, gefräst



Part	Article-Nr.	z-	Bore	PD	OD	S
1541	154101	16	25	128,9	130,9	67,8
1541	154102		30			
1541	154103		35			
1541	154104		40			
1542	154201	18	25	144,8	146,8	75,7
1542	154202		30			
1542	154203		35			
1542	154204		40			
1543	154301	19	25	154,3	156,3	80,5
1543	154302		30			
1543	154303		35			
1543	154304		40			



Ruota rinvio divisa, fresata / Split idler sprocket, machined / geteiltes Umlenkrad, gefräst



Part	Article-Nr.	z-	Bore	PD	OD	S
1541	154150	16	18*	128,9	130,9	67,8
1541	154151		25			
1541	154152		30			
1541	154153		35			
1541	154154		40			
1542	154250	18	18*	144,8	146,8	75,7
1542	154251		25			
1542	154252		30			
1542	154253		35			
1542	154254		40			
1543	154350	19	18*	154,3	156,3	80,5
1543	154351		25			
1543	154352		30			
1543	154353		35			
1543	154354		40			

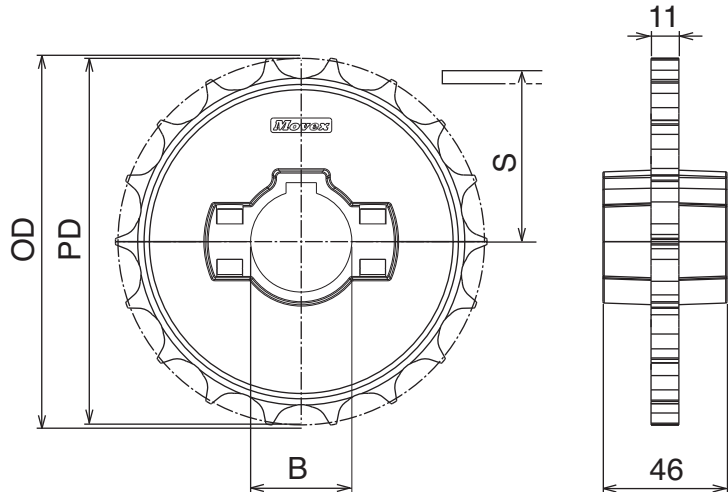
\*Plain Bore

Materiale:	Material:	Materialien:
Poliammide rinforzato	Polyamide reinforced	Verstärktes Polyamid
Viti: Acciaio inox	Screws: Stainless steel	Schrauben: Edelstahl
Dadi: ottone nichelato	Nuts: nickel plated brass	Mutter: Messing vernickelt

### Ruota traino divisa, stampata / Split drive sprocket, molded / geteiltes Antriebskettenrad, gespritzt



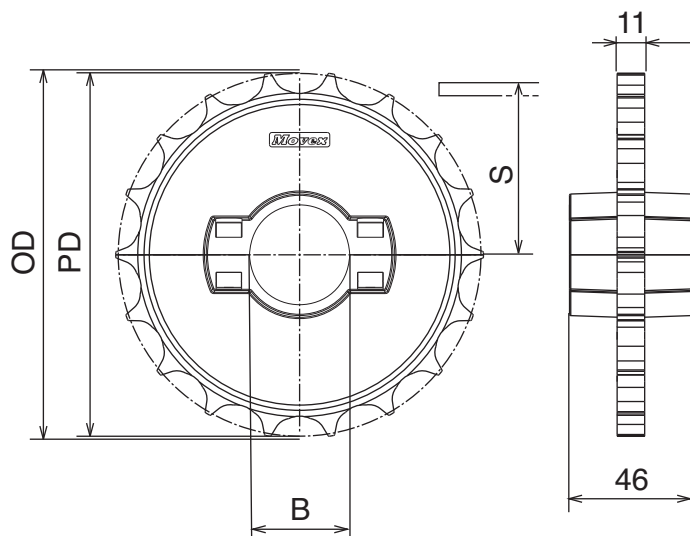
Part	Article-Nr.	z-	Bore	PD	OD	S
1545	154501	16	25	128,9	130,9	67,8
1545	154502		30			
1545	154503		35			
1545	154504		40			
1545	154506		25*25			
1545	154507		30*30			
1545	154508		40*40			
1546	154601	18	25	144,8	146,8	75,7
1546	154602		30			
1546	154603		35			
1546	154604		40			
1546	154606		25*25			
1546	154607		30*30			
1546	154608		40*40			
1547	154701	19	25	154,3	156,3	80,5
1547	154702		30			
1547	154703		35			
1547	154704		40			
1547	154706		25*25			
1547	154707		30*30			
1547	154708		40*40			



### Ruota rinvio divisa, stampata / Split idler sprocket, molded / geteiltes Umlenkrad, gespritzt



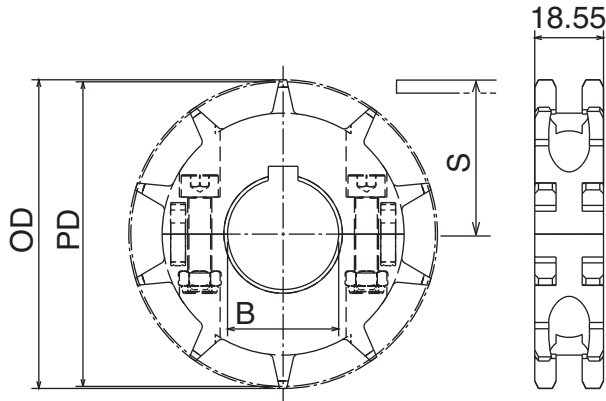
Part	Article-Nr.	z-	Bore	PD	OD	S
1545	154551	16	25	128,9	130,9	67,8
1545	154552		30			
1545	154553		35			
1545	154554		40			
1546	154651	18	25	144,8	146,8	75,7
1546	154652		30			
1546	154653		35			
1546	154654		40			
1547	154751	19	25	154,3	156,3	80,5
1547	154752		30			
1547	154753		35			
1547	154754		40			





**New**

*Ruota traino divisa, fresata / Split drive sprocket, machined / geteiltes Antriebskettenrad, gefräst*



Materiale:	Material:	Materialien:
Poliammide	Polyamide	Polyamid
Viti: Acciaio inox	Screws: Stainless steel	Schrauben: Edelstahl
Dadi: ferro zincato	Nuts: zinc plated steel	Mutter: verzinkter Stahl

Part	Article-Nr.	z-	Bore	PD	OD	S
1620	162001	10	25	82,2	83,3	33,0
1620	162002	10	30			
1620	162003E	10	35			
1620	162004E	10	40			
☐	1620	162006	10	25*25		
☐	1620	162007	10	30*30		
☐	1620	162008E	10	40*40		
1621	162101	12	25	98,1	100,0	41,0
1621	162102	12	30			
1621	162103	12	35			
1621	162104	12	40			
☐	1621	162106	12	25*25		
☐	1621	162107	12	30*30		
☐	1621	162108E	12	40*40		
1622	162201	15	25	122,2	124,3	53,0
1622	162202	15	30			
1622	162203	15	35			
1622	162204	15	40			
☐	1622	162206	15	25*25		
☐	1622	162207	15	30*30		
☐	1622	162208	15	40*40		
1623	162301	18	25	146,3	147,8	65,0
1623	162302	18	30			
1623	162303	18	35			
1623	162304	18	40			
☐	1623	162306	18	25*25		
☐	1623	162307	18	30*30		
☐	1623	162308	18	40*40		



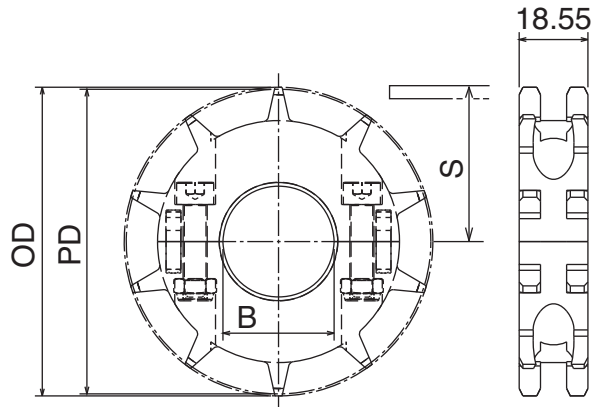
Materiale:	Material:	Materialien:
Poliamide rinforzato	Polyamide reinforced	Verstärktes Polyamid
Viti: Acciaio inox	Screws: Stainless steel	Schrauben: Edelstahl
Dadi: ottone nichelato	Nuts: nickel plated brass	Mutter: messing vernickelt

**New**



**Ruota rinvio divisa, fresata / Split idler sprocket, machined / geteiltes Umlenkrad, gefräst**

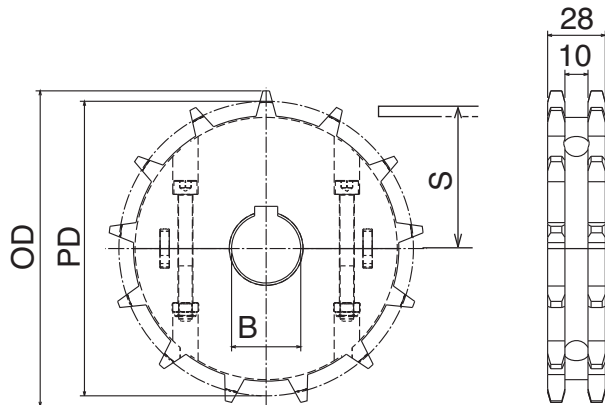
Part	Article-Nr.	z-	Bore	PD	OD	S
1620	162050	10	18*	82,2	83,3	33,0
1620	162051	10	25			
1620	162052	10	30			
1620	162053E	10	35			
1620	162054E	10	40			
1621	162150	12	18*	98,1	100,0	41,0
1621	162151	12	25			
1621	162152	12	30			
1621	162153	12	35			
1621	162154	12	40			
1622	162250	15	18*	122,2	124,3	53,0
1622	162251	15	25			
1622	162252	15	30			
1622	162253	15	35			
1622	162254	15	40			
1623	162350	18	18*	146,3	147,8	65,0
1623	162351	18	25			
1623	162352	18	30			
1623	162353	18	35			
1623	162354	18	40			



Materiale:	Material:	Materialien:
Poliammide	Polyamide	Polyamid
Viti: Acciaio inox	Screws: Stainless steel	Schrauben: Edelstahl
Dadi: ferro zincato	Nuts: zinc plated steel	Mutter: verzinkter Stahl



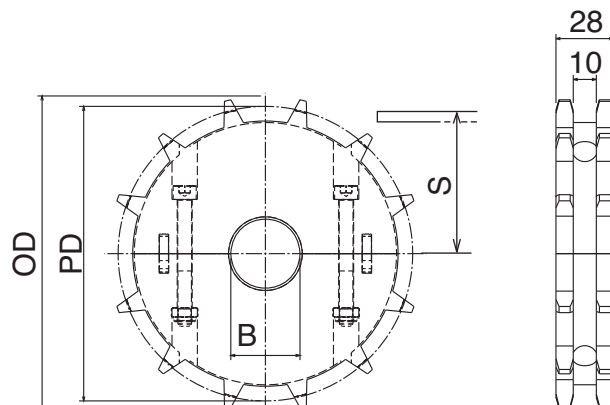
Ruota traino divisa, fresata / Split drive sprocket, machined / geteiltes Antriebskettenrad, gefräst



Part	Article-Nr.	z-	Bore	PD	OD	S
1571	157101	10	25	102,8	107,7	45
1571	157102		30			
1571	157103		35			
1571	157104		40			
1572	157201	13	25	132,7	138,8	60
1572	157202		30			
1572	157203		35			
1572	157204		40			
1573	157301	15	25	152,7	159,4	70
1573	157302		30			
1573	157303		35			
1573	157304		40			
1574	157401	16	25	162,8	169,6	75
1574	157402		30			
1574	157403		35			
1574	157404		40			



Ruota rinvio divisa, fresata / Split idler sprocket, machined / geteiltes Umlenkrad, gefräst



Part	Article-Nr.	z-	Bore	PD	OD	S
1571	157150	10	18*	102,8	107,7	45
1571	157151		25			
1571	157152		30			
1571	157153		35			
1571	157154		40			
1572	157250	13	18*	132,7	138,8	60
1572	157251		25			
1572	157252		30			
1572	157253		35			
1572	157254		40			
1573	157350	15	18*	152,7	159,4	70
1573	157351		25			
1573	157352		30			
1573	157353		35			
1573	157354		40			
1574	157450	16	18*	162,8	169,6	75
1574	157451		25			
1574	157452		30			
1574	157453		35			
1574	157454		40			

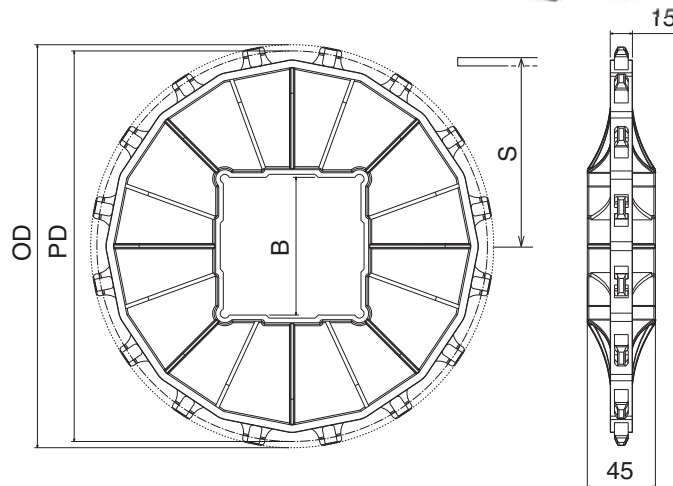
\*Plain Bore

Materiale:	Material:	Materialien:
Resina acetlica	Acetal resin	Azetal

Materiale:	Material:	Materialien:
Resina acetlica	Acetal resin	Azetal
Viti: Acciaio inox	Screws: Stainless steel	Schrauben: Edelstahl
Dadi: ferro zincato	Nuts: zinc plated steel	Mutter: verzinkter Stahl

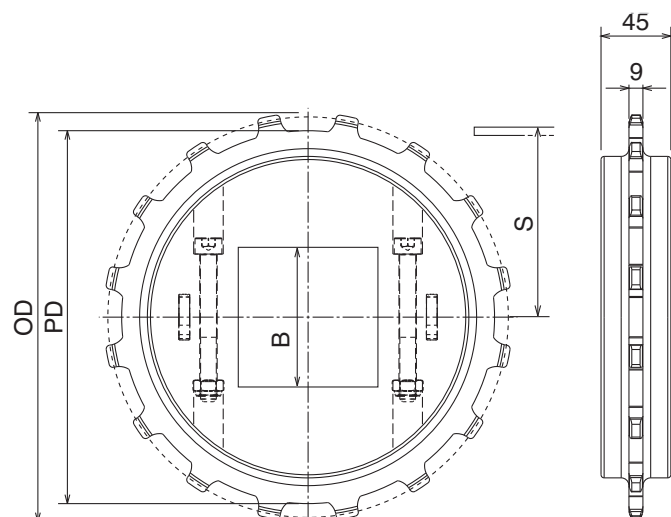
### Ruota traino, stampata / Drive sprocket, molded / Antriebskettenrad, gespritzt

Part	Article-Nr.	z-	Bore	PD	OD	S
1551	155104	10	Ø40	164,4	163,1	74,2
1551	155105		Ø50			
1551	155106		40x40			
1551	155107		60x60			
1551	155108		65x65			
1552	155204	12	Ø40	196,3	196,3	90,1
1552	155206		40x40			
1552	155207		60x60			
1552	155208		65x65			
1553	155311	13	Ø65	212,3	209	98,1
1553	155310		Ø90			
1553	155306		40x40			
1553	155307		60x60			
1553	155308		65x65			
1553	155309		90x90			
1559	155910	16	Ø90	260,4	262	122,3
1559	155905		Ø2,5"			
1559	155908		65x65			
1559	155909		90x90			
1559	155912		120x120			



### Ruota traino, fresata / Drive sprocket, machined / Antriebskettenrad, gefräst

Part	Article-Nr.	z-	Bore	PD	OD	S
1607	160704	10	Ø40	164,4	163,1	74,2
1607	160705		Ø50			
1607	160706		40x40			
1607	160707		60x60			
1607	160708		65x65			
1608	160804	12	Ø40	196,3	196,3	90,1
1608	160806		40x40			
1608	160807		60x60			
1608	160808		65x65			
1609	160911	13	Ø65	212,3	209	98,1
1609	160910		Ø90			
1609	160906		40x40			
1609	160907		60x60			
1609	160908		65x65			
1609	160909		90x90			
1610	161010	16	Ø90	260,4	262	122,3
1610	161005		Ø2,5"			
1610	161008		65x65			
1610	161009		90x90			
1610	161012		120x120			



# BluLub®

**Enhanced - Performance - UHMW-PE**

**BluLub®** è un nuovo materiale ad alte prestazioni composto da lubrificanti solidi di ultima generazione UHMW-PE. **BluLub®** migliora il limite PV rispetto allo standard UHMW-PE, soprattutto nelle applicazioni ove la lubrificazione è limitata o assente e le velocità e/o i carichi sono elevati. **BluLub®** ti fa consumare meno energia e con un basso coefficiente di attrito, migliora la stabilità del prodotto, l'usura della catene e de nastri modulari allungandone la vita utile.

**BluLub®** is a new high-performance compounded UHMW-PE material with the latest generation of solid lubricants. **BluLub®** contributes to improve PV-properties compared to standard UHMW-PE, especially in applications with limited lubrication, higher speeds and/or higher loads. **BluLub®** requires less energy and with the lower coefficient of friction, improves the product stability and wear life of chains and modular belts.

**BluLub®** ist ein neues High-Performance UHMW-PE Material mit der neuesten Generation von festen Schmierstoffen. **BluLub®** trägt dazu bei die PV-Eigenschaften im Vergleich zu Standard-UHMW-PE zu verbessern, vor allem in Anwendungen mit begrenzter Schmierung, höheren Geschwindigkeiten und / oder höheren Lasten. Mit **BluLub®** wird weniger Energie benötigt. Mit dem niedrigeren Reibungskoeffizienten, verbessert sich die Produktstabilität. Die Standzeiten von Ketten und Modulbändern werden erhöht.

### Properties:

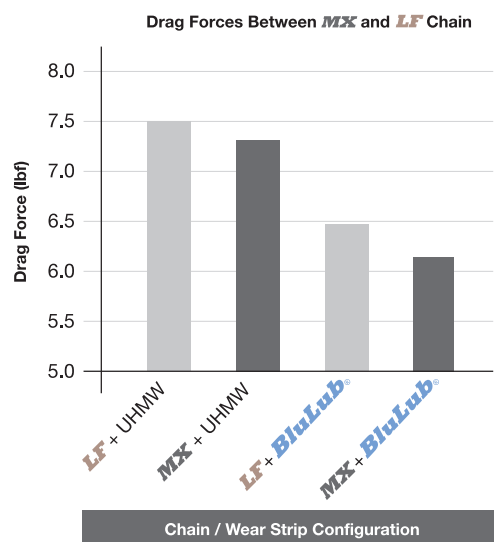
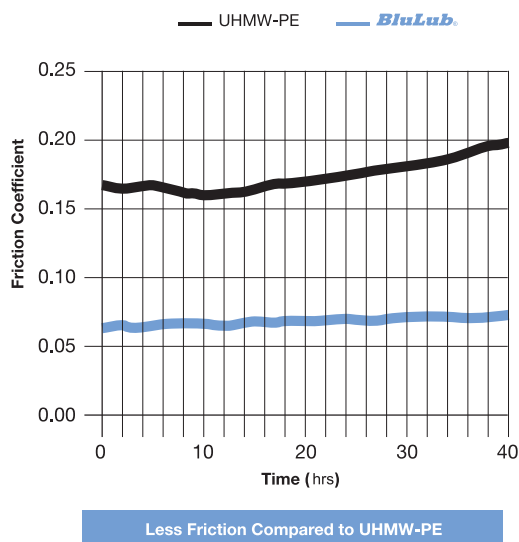
- UHMW-PE Polyethylene with molecular density 5,600,000 g/mol or 9,200,000 g/mol.
- Operating temperature: -40 to 176°F (-40 to + 80°C)
- BluLub complies with the Code of Federal Regulations of FDA

### Advantages:

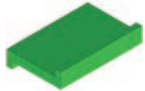
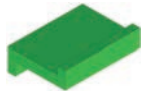
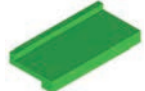
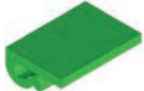
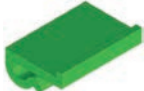


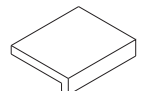
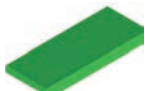
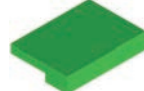
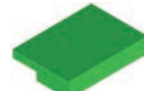
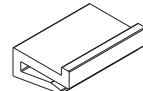
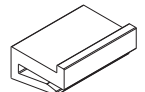
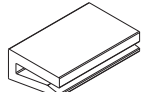
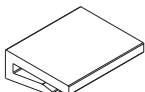
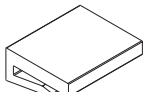
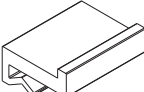
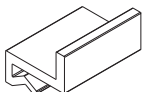
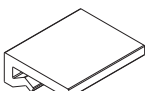
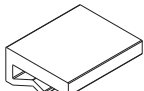
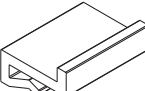
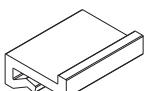
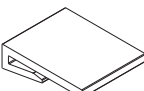
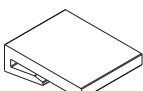
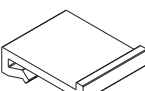
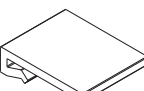
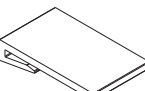
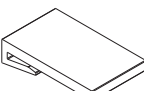
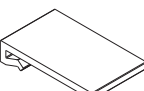
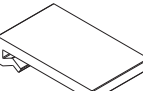
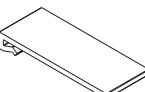
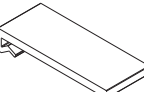
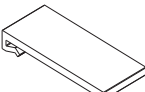
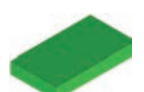

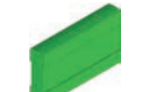
- Running dry
- High speed
- Reduced noise and squeaking
- Lower Coefficient of Friction
- Lower wear
- Less energy consumption
- Minimal moisture absorption
- Smooth and quite chain running

### Vorteile

- Trockenlauf
- hohe Geschwindigkeit
- Reduzierte Geräusentwicklung und kein "Quietschen"
- niedrigerer Reibwert
- geringerer Verschleiß
- weniger Energieverbrauch
- Minimale Feuchtigkeitsaufnahme
- ruhiger Lauf der Kette



# profiles

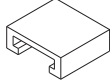
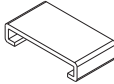
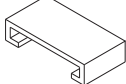
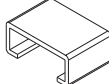
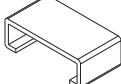
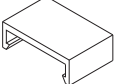
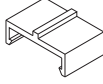
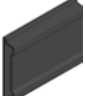















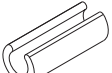
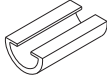







<p><b>101</b></p>  <p>pag. 166</p>	<p><b>102</b></p>  <p>pag. 166</p>	<p><b>176</b></p>  <p>pag. 166</p>	<p><b>103</b></p>  <p>pag. 166</p>	<p><b>104</b></p>  <p>pag. 167</p>	<p><b>179</b></p>  <p>pag. 167</p>
<p><b>175</b></p>  <p>pag. 167</p>	<p><b>1038</b></p>  <p>pag. 168</p>	<p><b>150</b></p>  <p>pag. 168</p>	<p><b>1058</b></p>  <p>pag. 168</p>	<p><b>174</b></p>  <p>pag. 168</p>	<p><b>1014</b></p>  <p>pag. 169</p>
<p><b>1015</b></p>  <p>pag. 169</p>	<p><b>1016</b></p>  <p>pag. 169</p>	<p><b>1017</b></p>  <p>pag. 169</p>	<p><b>1018</b></p>  <p>pag. 170</p>	<p><b>1019</b></p>  <p>pag. 170</p>	<p><b>1020</b></p>  <p>pag. 170</p>
<p><b>1021</b></p>  <p>pag. 171</p>	<p><b>1022</b></p>  <p>pag. 171</p>	<p><b>1023</b></p>  <p>pag. 171</p>	<p><b>1024</b></p>  <p>pag. 171</p>	<p><b>1025</b></p>  <p>pag. 172</p>	<p><b>1026</b></p>  <p>pag. 172</p>
<p><b>1027</b></p>  <p>pag. 172</p>	<p><b>1028</b></p>  <p>pag. 172</p>	<p><b>1029</b></p>  <p>pag. 173</p>	<p><b>1030</b></p>  <p>pag. 173</p>	<p><b>1031</b></p>  <p>pag. 173</p>	<p><b>1032</b></p>  <p>pag. 173</p>
<p><b>1033</b></p>  <p>pag. 174</p>	<p><b>1034</b></p>  <p>pag. 174</p>	<p><b>1035</b></p>  <p>pag. 174</p>	<p><b>105</b></p>  <p>pag. 175</p>	<p><b>106</b></p>  <p>pag. 175</p>	<p><b>107</b></p>  <p>pag. 175</p>



# profiles

<b>108</b>  pag. 175	<b>109</b>  pag. 176	<b>110</b>  pag. 176	<b>156</b>  pag. 176	<b>112</b>  pag. 176	<b>147</b>  pag. 176
<b>133</b>  pag. 177	<b>148</b>  pag. 177	<b>157</b>  pag. 177	<b>118</b>  pag. 178	<b>149</b>  pag. 178	<b>177</b>  pag. 178
<b>1059</b>  pag. 179	<b>178</b>  pag. 179	<b>111</b>  pag. 179	<b>1060</b>  pag. 179	<b>180</b>  pag. 180	<b>181</b>  pag. 180
<b>1052</b>  pag. 180	<b>1000</b>  pag. 181	<b>1001</b>  pag. 181	<b>1002</b>  pag. 181	<b>1003</b>  pag. 181	<b>1004</b>  pag. 181
<b>1006</b>  pag. 182	<b>153</b>  pag. 183	<b>1007</b>  pag. 183	<b>1008</b>  pag. 183	<b>1009</b>  pag. 183	<b>1010</b>  pag. 184
<b>1011</b>  pag. 184	<b>1013</b>  pag. 185	<b>1012</b>  pag. 185	<b>119</b>  pag. 186	<b>120</b>  pag. 186	<b>121</b>  pag. 186
<b>152</b>  pag. 186	<b>122</b>  pag. 187	<b>123</b>  pag. 187	<b>140</b>  pag. 187	<b>146</b>  pag. 187	<b>124</b>  pag. 188
<b>143</b>  pag. 188	<b>141</b>  pag. 188	<b>142</b>  pag. 188	<b>144</b>  pag. 189	<b>125</b>  pag. 189	<b>184</b>  pag. 189
<b>145</b>  pag. 189	<b>130</b>  pag. 190	<b>188</b>  pag. 190	<b>131</b>  pag. 190	<b>199</b>  pag. 190	<b>170</b>  pag. 192
<b>168</b>  pag. 192	<b>169</b>  pag. 192	<b>1036</b>  pag. 192	<b>1037</b>  pag. 192	<b>167</b>  pag. 193	<b>171</b>  pag. 193
<b>172</b>  pag. 193	<b>173</b>  pag. 193	<b>192</b>  pag. 193	<b>163</b>  pag. 194	<b>160</b>  pag. 194	<b>161</b>  pag. 194
<b>162</b>  pag. 194	<b>164</b>  pag. 194	<b>165</b>  pag. 194	<b>154</b>  pag. 195	<b>155</b>  pag. 195	<b>134</b>  pag. 195

# profiles

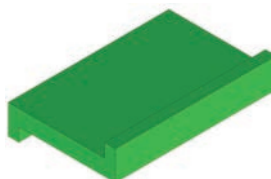
<p><b>1041</b></p>  <p>pag. 196</p>	<p><b>1042</b></p>  <p>pag. 196</p>	<p><b>1043</b></p>  <p>pag. 196</p>	<p><b>1044</b></p>  <p>pag. 197</p>	<p><b>1045</b></p>  <p>pag. 197</p>	<p><b>1053</b></p>  <p>pag. 197</p>
<p><b>1054</b></p>  <p>pag. 197</p>	<p><b>135</b></p>  <p>pag. 198</p>	<p><b>136</b></p>  <p>pag. 198</p>	<p><b>137</b></p>  <p>pag. 198</p>	<p><b>117</b></p>  <p>pag. 198</p>	<p><b>1055</b></p>  <p>pag. 199</p>
<p><b>159</b></p>  <p>pag. 199</p>	<p><b>158</b></p>  <p>pag. 200</p>	<p><b>158</b></p>  <p>pag. 200</p>	<p><b>182</b></p>  <p>pag. 201</p>	<p><b>189</b></p>  <p>pag. 202</p>	<p><b>189</b></p>  <p>pag. 202</p>
<p><b>193</b></p>  <p>pag. 203</p>	<p><b>187</b></p>  <p>pag. 203</p>	<p><b>1056</b></p>  <p>pag. 204</p>	<p><b>1057</b></p>  <p>pag. 204</p>	<p><b>186</b></p>  <p>pag. 205</p>	<p><b>166</b></p>  <p>pag. 206</p>
<p><b>1039</b></p>  <p>pag. 206</p>	<p><b>183</b></p>  <p>pag. 206</p>	<p><b>113</b></p>  <p>pag. 207</p>	<p><b>113</b></p>  <p>pag. 207</p>	<p><b>114</b></p>  <p>pag. 207</p>	<p><b>116</b></p>  <p>pag. 208</p>
<p><b>116</b></p>  <p>pag. 208</p>	<p><b>115</b></p>  <p>pag. 208</p>				



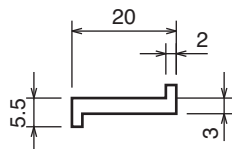
- RED = STOCK ITEM
- BLACK = ON REQUEST

### Material:

Polyethylene UHMW-PE with molecular density 5,600,000 g/mol  
 Linear expansion coefficient:  $1.1 \times 10^{-4} \text{ } ^\circ\text{F}^{-1}$  ( $2 \times 10^{-4} \text{ } ^\circ\text{C}^{-1}$ )  
 Operating temperature: -40 to 176°F (-40 to +80°C)

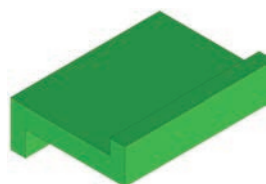


### Profilo "Z" / Z-Profile / Z-Profil

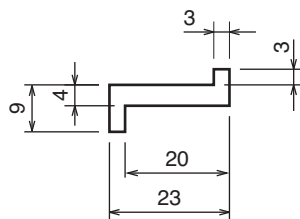


Part	Article-Nr.	Colour
101	10101	black
101	10102	green

On request available in white color

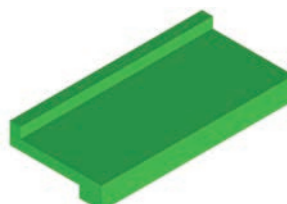


### Profilo "Z" rinforzato / Z-Profile reinforced / Z-Profil, verstärkt

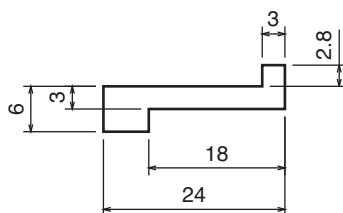


Part	Article-Nr.	Colour
102	10201	black
102	10202	green

On request available in white color

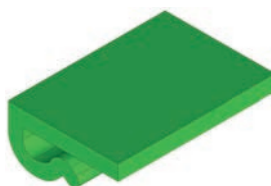


### Profilo "Z" / Z-Profile / Z-Profil

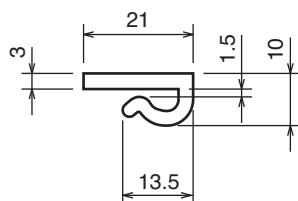


Part	Article-Nr.	Colour
176	17601	black
176	17602	green

On request available in white color



### Profilo Z-clip senza bordo / Z-clip profile without nose / Z Profil ohne Nase



Part	Article-Nr.	Colour
103	10301	black
103	10302	green
103	10300B-30	<b>BlaLub</b>

On request available in white color  
 Fit on 2.5 to 3.5 mm



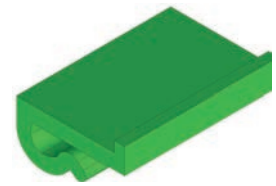


**Material:**

Polyethylene UHMW-PE with molecular density 5,600,000 g/mol  
 Linear expansion coefficient:  $1.1 \times 10^{-4} \text{ } ^\circ\text{F}^{-1}$  ( $2 \times 10^{-4} \text{ } ^\circ\text{C}^{-1}$ )  
 Operating temperature: -40 to 176°F (-40 to +80°C)

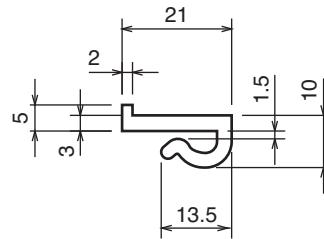
- RED = STOCK ITEM
- BLACK = ON REQUEST

### Profilo Z-clip con bordo / Z-clip profile with nose / Z Profil mit Nase

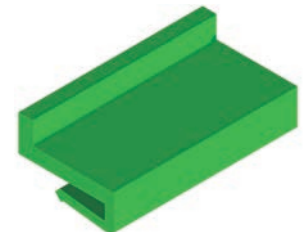


Part	Article-Nr.	Colour
104	10401	black
104	10402	green

On request available in white color  
 Fit on 2.5 to 3.5 mm

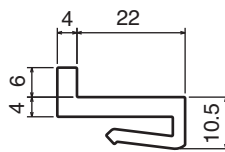


### Profilo Z-clip con bordo / Z-clip profile with nose / Z Profil mit Nase

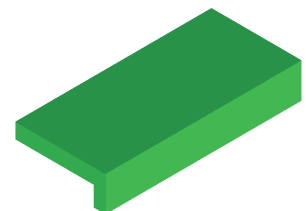


Part	Article-Nr.	L	Colour
179	17901C	3 m	black
179	17901	6 m	black
179	17902C	3 m	green
179	17902	6 m	green

On request available in white color  
 Fit on 2.5 to 3.5 mm

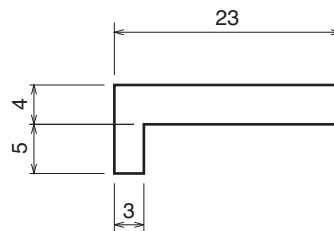


### Profilo "L" / L-Profile / L-Profil



Part	Article-Nr.	Colour
175	17501	black
175	17502	green

On request available in white color



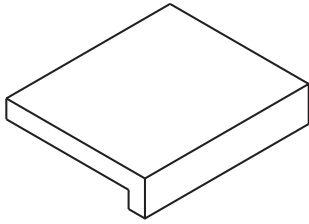
- RED = STOCK ITEM
- BLACK = ON REQUEST
- US STANDARD

**Material:**

Polyethylene UHMW-PE with molecular density 5,600,000 g/mol

Linear expansion coefficient:  $1.1 \times 10^{-4} \text{ } ^\circ\text{F}^{-1}$  ( $2 \times 10^{-4} \text{ } ^\circ\text{C}^{-1}$ )

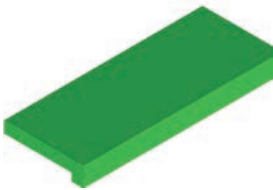
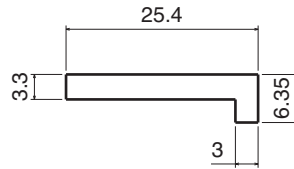
Operating temperature: -40 to 176°F (-40 to +80°C)



**Profilo "L" / L-Profile / L-Profil**

Part	Article-Nr.	L	Colour
1038	103803	60 m	white

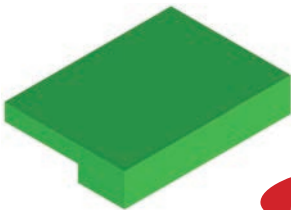
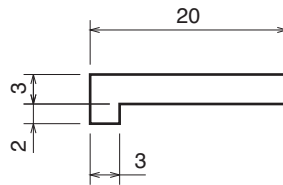
• US STANDARD



**Profilo "L" / L-Profile / L-Profil**

Part	Article-Nr.	Colour
150	15001	black
150	15002	green

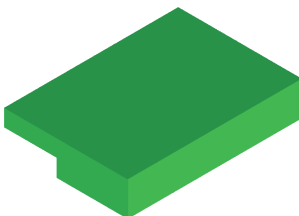
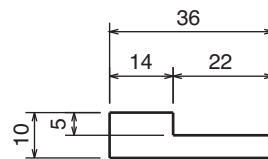
On request available in white color



**Profilo "L" / L-Profile / L-Profil**

**New**

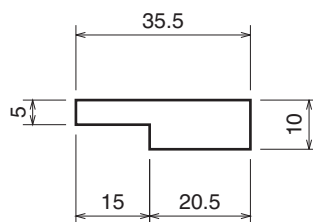
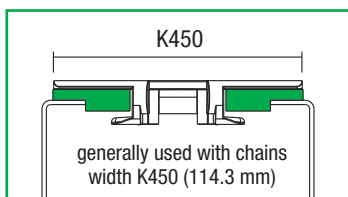
Part	Article-Nr.	L	Colour
1058	105801C	3 m	black
1058	105801	6 m	black
1058	105802C	3 m	green
1058	105802	6 m	green



**Profilo "L" / L-Profile / L-Profil**

Part	Article-Nr.	L	Colour
174	17401C	3 m	black
174	17401	6 m	black
174	17402C	3 m	green
174	17402	6 m	green

On request available in white color

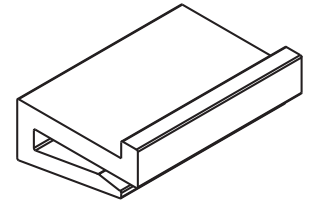


**Material:**

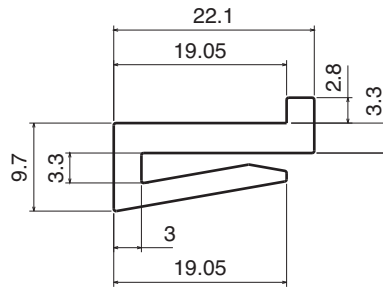
Polyethylene UHMW-PE with molecular density 5,600,000 g/mol  
 Linear expansion coefficient:  $1.1 \times 10^{-4} \text{ } ^\circ\text{F}^{-1}$  ( $2 \times 10^{-4} \text{ } ^\circ\text{C}^{-1}$ )  
 Operating temperature: -40 to 176°F (-40 to +80°C)

- RED = STOCK ITEM
- BLACK = ON REQUEST
- US STANDARD

### Profilo J-Leg 19.05 / J-Leg Profile 19.05 / J Profil mit Nase 19.05



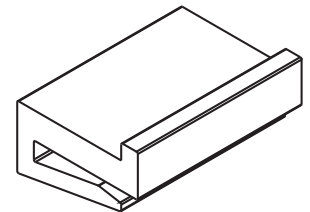
Part	Article-Nr.	L	Colour
1014	101403C	3 m	white
1014	101403	6 m	white



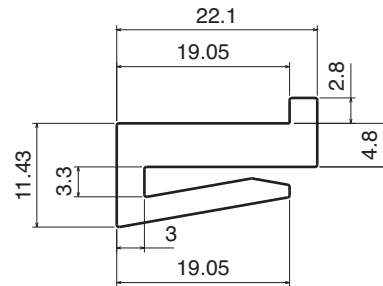
Fit on 3 mm

• US STANDARD

### Profilo J-Leg 19.05 / J-Leg Profile 19.05 / J Profil mit Nase 19.05



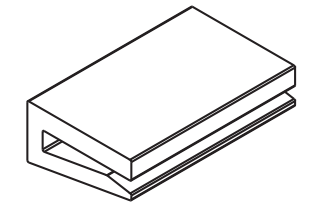
Part	Article-Nr.	L	Colour
1015	101503C	3 m	white
1015	101503	6 m	white



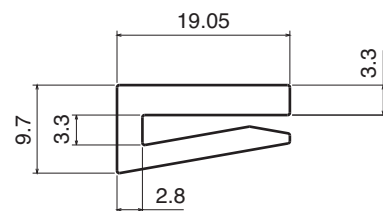
Fit on 3 mm

• US STANDARD

### Profilo J-Leg 19.05 / J-Leg Profile 19.05 / J Profil 19.05



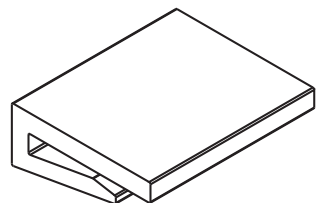
Part	Article-Nr.	L	Colour
1016	101603C	3 m	white
1016	101603	6 m	white



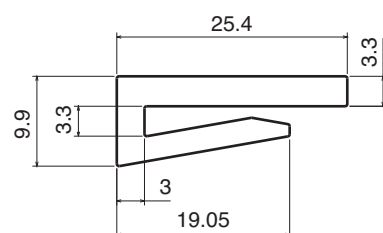
Fit on 3 mm

• US STANDARD

### Profilo J-Leg 25.4 / J-Leg Profile 25.4 / J Profil 25.4



Part	Article-Nr.	L	Colour
1017	101703C	3 m	white
1017	101703	6 m	white
1017	101703-30	30 m	white



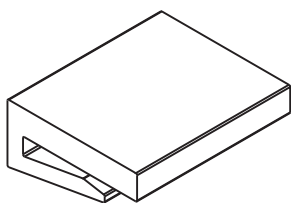
Fit on 3 mm

• US STANDARD

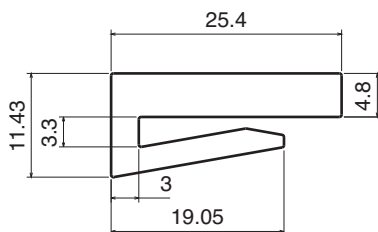
- RED = STOCK ITEM
- BLACK = ON REQUEST
- US STANDARD

**Material:**

Polyethylene UHMW-PE with molecular density 5,600,000 g/mol  
 Linear expansion coefficient:  $1.1 \times 10^{-4} \text{ } ^\circ\text{F}^{-1}$  ( $2 \times 10^{-4} \text{ } ^\circ\text{C}^{-1}$ )  
 Operating temperature: -40 to 176°F (-40 to +80°C)



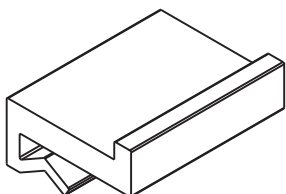
### Profilo J-Leg 25.4 / J-Leg Profile 25.4 / J Profil 25.4



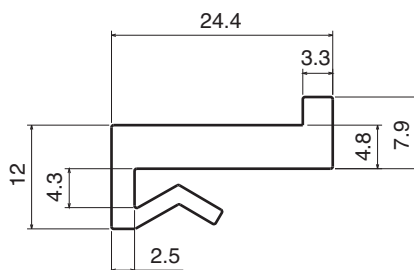
Part	Article-Nr.	L	Colour
1018	101803C	3 m	white
1018	101803	6 m	white

Fit on 3 mm

- US STANDARD



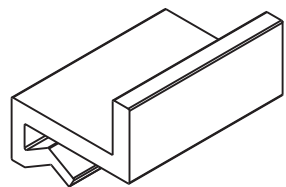
### Profilo J-Leg 25.4 / J-Leg Profile 25.4 / J Profil mit Nase 25.4



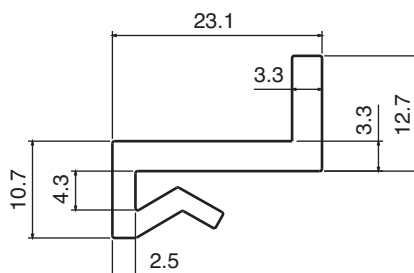
Part	Article-Nr.	L	Colour
1019	101903C	3 m	white
1019	101903	6 m	white

Fit on 3 mm

- US STANDARD



### Profilo J-Leg 25.4 / J-Leg Profile 25.4 / J Profil mit Nase 25.4



Part	Article-Nr.	L	Colour
1020	102003C	3 m	white
1020	102003	6 m	white

Fit on 3 mm

- US STANDARD

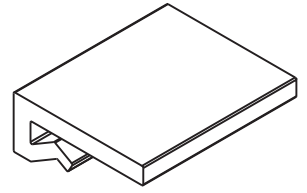


**Material:**

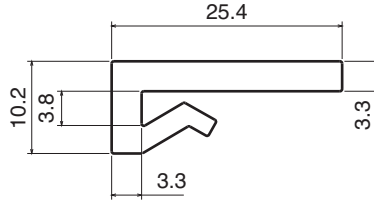
Polyethylene UHMW-PE with molecular density 5,600,000 g/mol  
 Linear expansion coefficient:  $1.1 \times 10^{-4} \text{ } ^\circ\text{F}^{-1}$  ( $2 \times 10^{-4} \text{ } ^\circ\text{C}^{-1}$ )  
 Operating temperature: -40 to 176°F (-40 to +80°C)

- RED = STOCK ITEM
- BLACK = ON REQUEST
- US STANDARD

## Profilo J-Leg 25.4 / J-Leg Profile 25.4 / J Profil 25.4



Part	Article-Nr.	L	Colour
1021	102103C	3 m	white
1021	102103	6 m	white
1021	102103-30	30 m	white
1021	102103-75	75 m	white

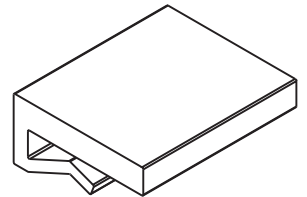


Fit on 3 mm

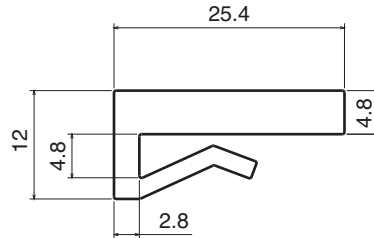
30 m 3/6 m 75 m

• US STANDARD

## Profilo J-Leg 25.4 / J-Leg Profile 25.4 / J Profil 25.4



Part	Article-Nr.	L	Colour
1022	102203C	3 m	white
1022	102203	6 m	white
1022	102203-30	30 m	white

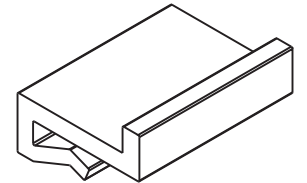


Fit on 3 mm

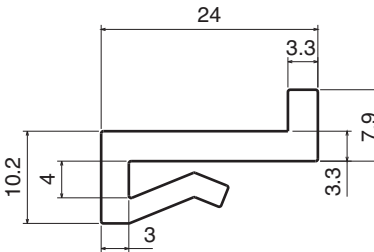
30 m 3/6 m

• US STANDARD

## Profilo J-Leg 25.4 / J-Leg Profile 25.4 / J Profil mit Nase 25.4



Part	Article-Nr.	L	Colour
1023	102303C	3 m	white
1023	102303	6 m	white

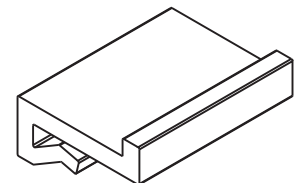


Fit on 3 mm

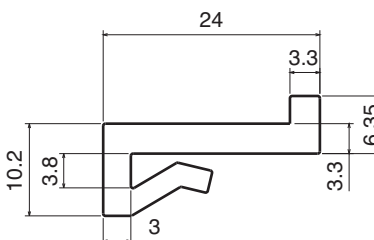
3/6 m

• US STANDARD

## Profilo J-Leg 25.4 / J-Leg Profile 25.4 / J Profil mit Nase 25.4



Part	Article-Nr.	L	Colour
1024	102403C	3 m	white
1024	102403	6 m	white
1024	102403-30	30 m	white



Fit on 3 mm

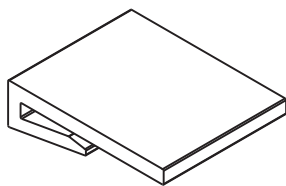
30 m 3/6 m

• US STANDARD

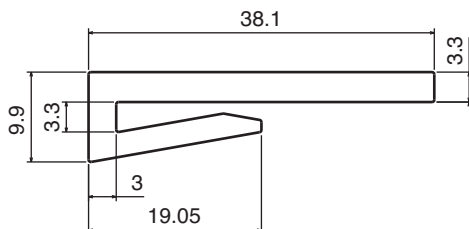
- RED = STOCK ITEM
- BLACK = ON REQUEST
- US STANDARD

**Material:**

Polyethylene UHMW-PE with molecular density 5,600,000 g/mol  
 Linear expansion coefficient:  $1.1 \times 10^{-4} \text{ } ^\circ\text{F}^{-1}$  ( $2 \times 10^{-4} \text{ } ^\circ\text{C}^{-1}$ )  
 Operating temperature: -40 to 176°F (-40 to +80°C)



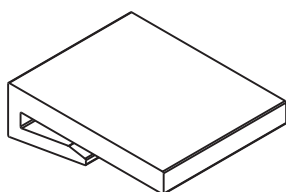
## Profilo J-Leg 38.1 / J-Leg Profile 38.1 / J Profil 38.1



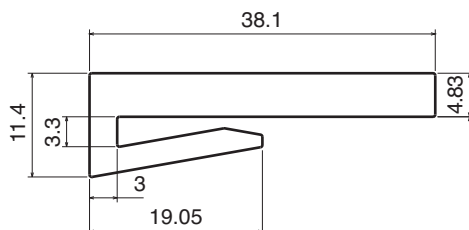
Part	Article-Nr.	L	Colour
1025	102503C	3 m	white
1025	102503	6 m	white
1025	102503-30	30 m	white

Fit on 3 mm

• US STANDARD



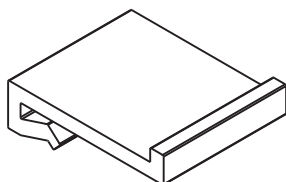
## Profilo J-Leg 38.1 / J-Leg Profile 38.1 / J Profil 38.1



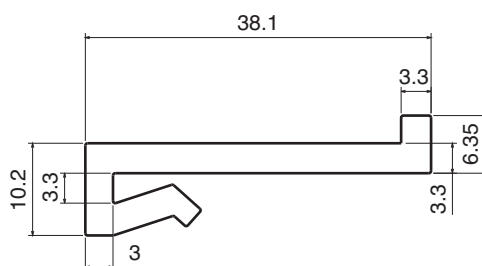
Part	Article-Nr.	L	Colour
1026	102603C	3 m	white
1026	102603	6 m	white

Fit on 3 mm

• US STANDARD



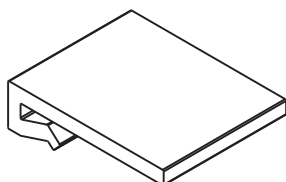
## Profilo J-Leg 38.1 / J-Leg Profile 38.1 / J Profil mit Nase 38.1



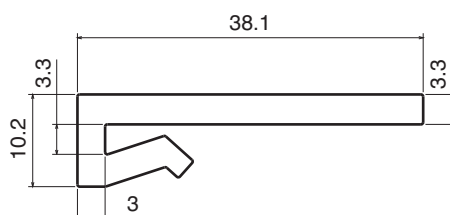
Part	Article-Nr.	L	Colour
1027	102703C	3 m	white
1027	102703	6 m	white

Fit on 3 mm

• US STANDARD



## Profilo J-Leg 38.1 / J-Leg Profile 38.1 / J Profil 38.1



Part	Article-Nr.	L	Colour
1028	102803C	3 m	white
1028	102803	6 m	white

Fit on 3 mm

• US STANDARD



**Material:**

Polyethylene UHMW-PE with molecular density 5,600,000 g/mol  
 Linear expansion coefficient:  $1.1 \times 10^{-4} \text{ } ^\circ\text{F}^{-1}$  ( $2 \times 10^{-4} \text{ } ^\circ\text{C}^{-1}$ )  
 Operating temperature: -40 to 176°F (-40 to +80°C)

- RED = STOCK ITEM
- BLACK = ON REQUEST
- US STANDARD

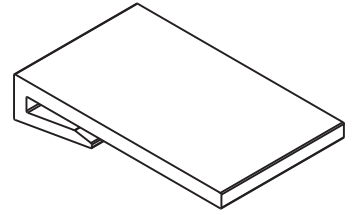
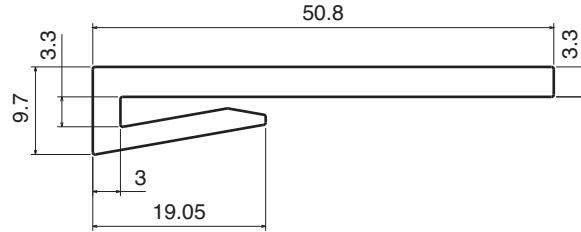
### Profilo J-Leg 50.8 / J-Leg Profile 50.8 / J Profil 50.8

Part	Article-Nr.	L	Colour
1029	102903C	3 m	white
1029	102903	6 m	white



Fit on 3 mm

• US STANDARD



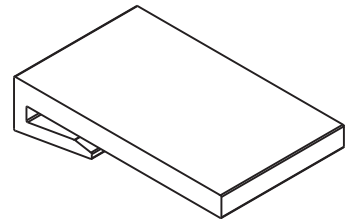
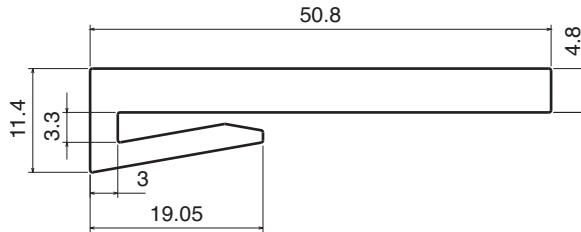
### Profilo J-Leg 50.8 / J-Leg Profile 50.8 / J Profil 50.8

Part	Article-Nr.	L	Colour
1030	103003C	3 m	white
1030	103003	6 m	white



Fit on 3 mm

• US STANDARD



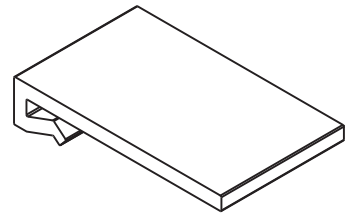
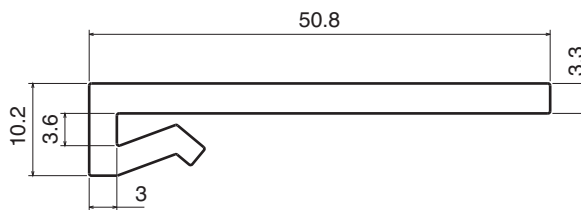
### Profilo J-Leg 50.8 / J-Leg Profile 50.8 / J Profil 50.8

Part	Article-Nr.	L	Colour
1031	103103C	3 m	white
1031	103103	6 m	white



Fit on 3 mm

• US STANDARD



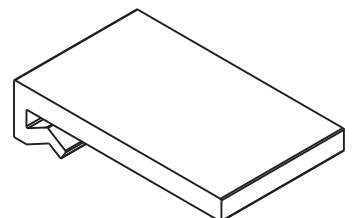
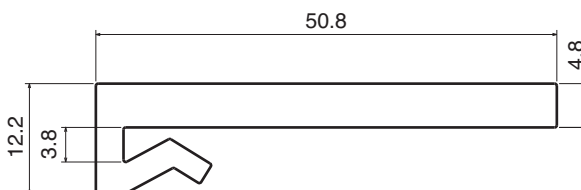
### Profilo J-Leg 50.8 / J-Leg Profile 50.8 / J Profil 50.8

Part	Article-Nr.	L	Colour
1032	103203C	3 m	white
1032	103203	6 m	white



Fit on 3 mm

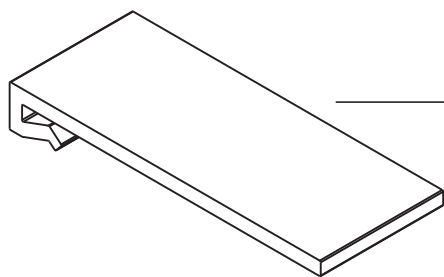
• US STANDARD



- RED = STOCK ITEM
- BLACK = ON REQUEST
- US STANDARD

**Material:**

Polyethylene UHMW-PE with molecular density 5,600,000 g/mol  
 Linear expansion coefficient:  $1.1 \times 10^{-4} \text{ } ^\circ\text{F}^{-1}$  ( $2 \times 10^{-4} \text{ } ^\circ\text{C}^{-1}$ )  
 Operating temperature: -40 to 176°F (-40 to +80°C)

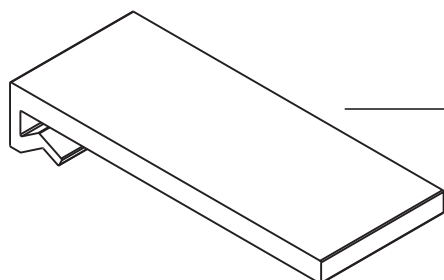
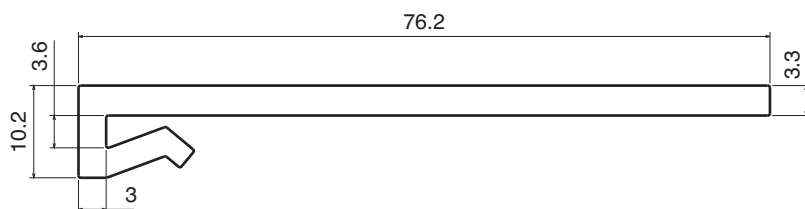


## Profilo J-Leg 76.2 / J-Leg Profile 76.2 / J Profil 76.2

Part	Article-Nr.	L	Colour
1033	103303C	3 m	white
1033	103303	6 m	white

Fit on 3 mm

• US STANDARD

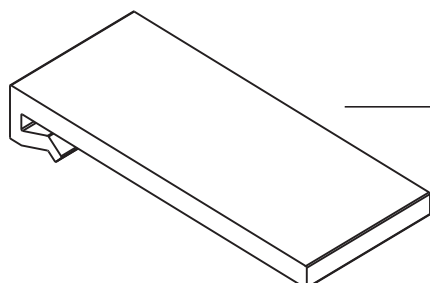
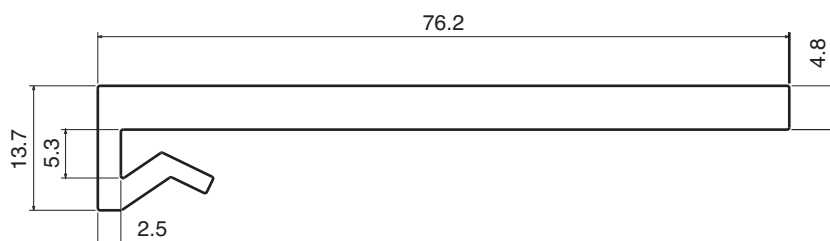


## Profilo J-Leg 76.2 / J-Leg Profile 76.2 / J Profil 76.2

Part	Article-Nr.	L	Colour
1034	103403C	3 m	white
1034	103403	6 m	white

Fit on 3 mm

• US STANDARD

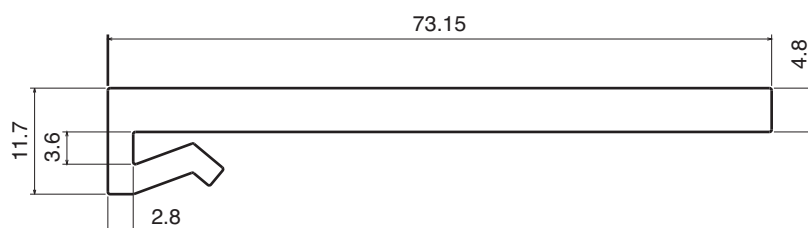


## Profilo J-Leg 73 / J-Leg Profile 73 / J Profil 73

Part	Article-Nr.	L	Colour
1035	103503C	3 m	white
1035	103503	6 m	white

Fit on 3 mm

• US STANDARD





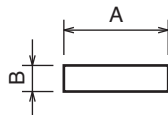
**Material:**

Polyethylene UHMW-PE with molecular density 5.600.000 g/mol  
 Linear expansion coefficient:  $1.1 \times 10^{-4} \text{ } ^\circ\text{F}^{-1}$  ( $2 \times 10^{-4} \text{ } ^\circ\text{C}^{-1}$ )  
 Operating temperature: -40 to 176°F (-40 to +80°C)

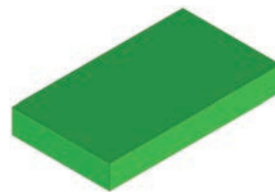
- RED = STOCK ITEM
- BLACK = ON REQUEST

## Profilo piatto / Flat profile / Flachprofil

Part	Article-Nr.	A	B	Colour
105	10501	20	3	black
105	10502	20	3	green
105	10503	20	5	black
105	10504	20	5	green
105	10596	40	3	green
105	10505	60	3	black
105	10506	60	3	green
105	10507	70	3	black
105	10508	70	3	green



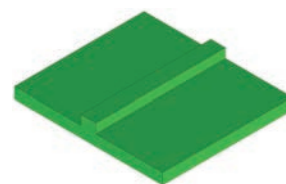
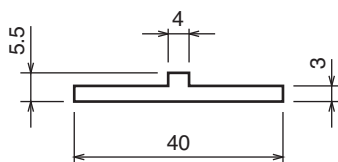
On request available in white color



## Profilo guida catena / Flat profile with nose / Flachprofil mit Nase

Part	Article-Nr.	Colour
106	10601	black
106	10602	green

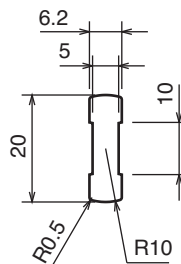
On request available in white color



## Profilo guida catena / Wear strip / Rückführleiste

Part	Article-Nr.	Colour
107	10701	black
107	10702	green

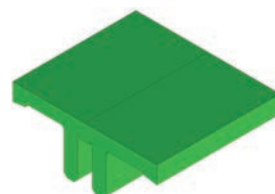
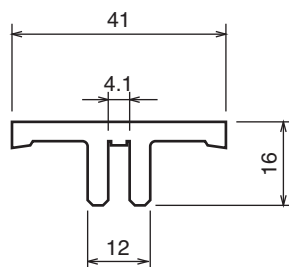
On request available in white color



## Profilo T / T-profile / T-Profil

Part	Article-Nr.	L	Colour
108	10801C	3 m	black
108	10801	6 m	black
108	10802C	3 m	green
108	10802	6 m	green

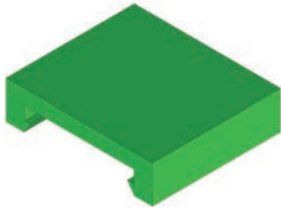
On request available in white color  
 Fit on 4 mm



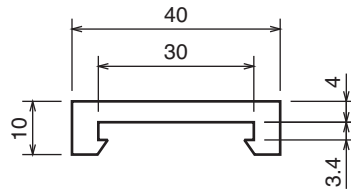
- RED = STOCK ITEM
- BLACK = ON REQUEST

**Material:**

Polyethylene UHMW-PE with molecular density 5,600,000 g/mol  
Linear expansion coefficient:  $1.1 \times 10^{-4} \text{ } ^\circ\text{F}^{-1}$  ( $2 \times 10^{-4} \text{ } ^\circ\text{C}^{-1}$ )  
Operating temperature: -40 to 176°F (-40 to +80°C)

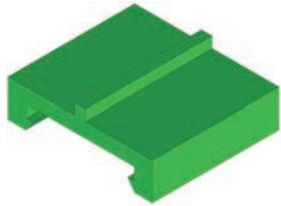


**Profilo clip-on guida catena / Flat clip-on wear strip / U-Profil Clip-on**

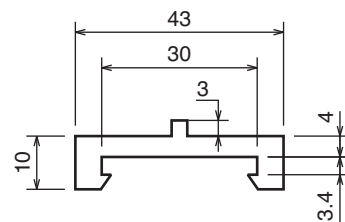


Part	Article-Nr.	L	Colour
109	10901C	3 m	black
109	10901	6 m	black
109	10902C	3 m	green
109	10902	6 m	green
109	10901BC	3 m	BluLub.
109	10901B	6 m	BluLub.

On request available in white color

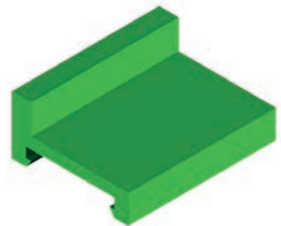


**Profilo clip-on guida catena con bordo / Flat clip-on wear strip with nose / U-Profil Clip-on mit Nase**

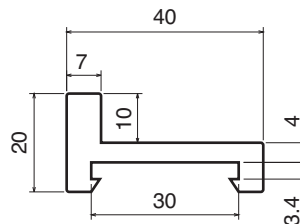


Part	Article-Nr.	L	Colour
110	11001C	3 m	black
110	11001	6 m	black
110	11002C	3 m	green
110	11002	6 m	green

On request available in white color

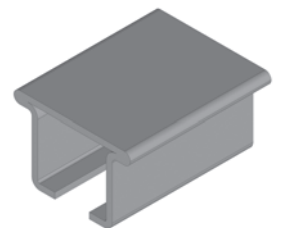


**Profilo clip-on guida tappeto / Clip-on wear strip for belt / Clip-on m. Seitenführung**

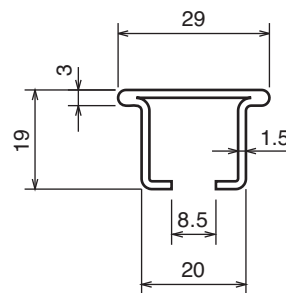


Part	Article-Nr.	L	Colour
156	15601C	3 m	black
156	15601	6 m	black
156	15602C	3 m	green
156	15602	6 m	green

On request available in white color

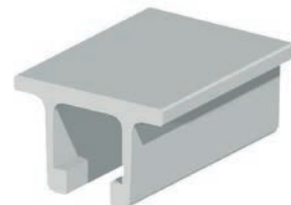


**Profilo / Profile / Profil**

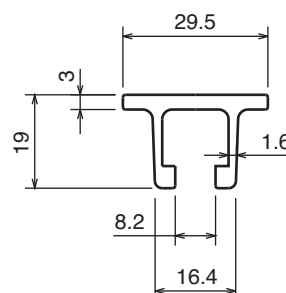


Part	Article-Nr.	L	Material
112	11201C	3 m	AISI 304
112	11201	6 m	AISI 304
112	11202C	3 m	AISI 430
112	11202	6 m	AISI 430

Assembly with accessories at pages 207-208



**Profilo in alluminio / Aluminum profile / Aluminium-Profil**



Part	Article-Nr.	L	Material
147	14701C	3 m	aluminum
147	14701	6 m	aluminum

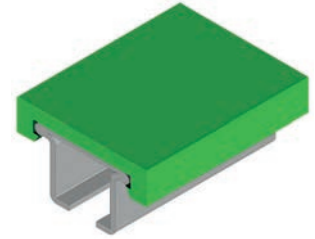


**Material:**

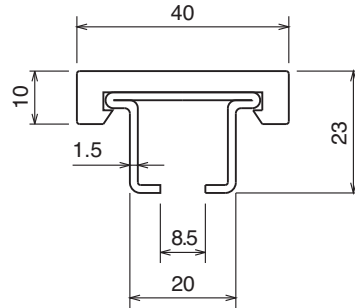
Polyethylene UHMW-PE with molecular density 5,600,000 g/mol  
Linear expansion coefficient:  $1.1 \times 10^{-4} \text{ } ^\circ\text{F}^{-1}$  ( $2 \times 10^{-4} \text{ } ^\circ\text{C}^{-1}$ )  
Operating temperature: -40 to 176°F (-40 to +80°C)

- RED = STOCK ITEM
- BLACK = ON REQUEST

**Profilo assemblato clip-on / Profile assembled clip-on / Profile montiert clip-on**



Part	Article-Nr.	L	Material	Colour
133	<b>13301C</b>	3 m	AISI 304	green
133	<b>13301</b>	6 m	AISI 304	green
133	<b>13302C</b>	3 m	AISI 430	green
133	<b>13302</b>	6 m	AISI 430	green
133	<b>13305BC</b>	3 m	AISI 304	<i>BluLub.</i>
133	<b>13305B</b>	6 m	AISI 304	<i>BluLub.</i>
133	<b>13306BC</b>	3 m	AISI 430	<i>BluLub.</i>
133	<b>13306B</b>	6 m	AISI 430	<i>BluLub.</i>

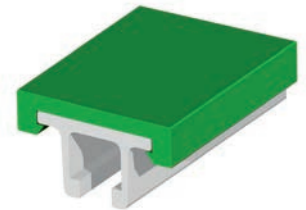


On request available in white color

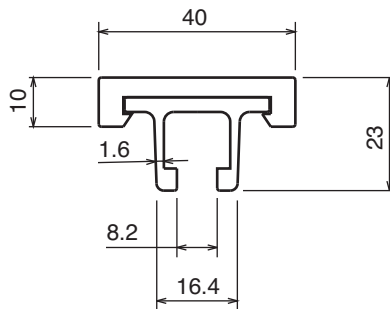


Assembly with accessories at pages 207-208

**Profilo assemblato clip-on / Profile assembled clip-on / Profile montiert clip-on**



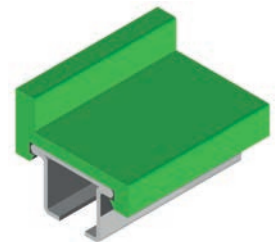
Part	Article-Nr.	L	Material	Colour
148	<b>14801C</b>	3 m	aluminum	green
148	<b>14801</b>	6 m	aluminum	green
148	<b>14801BC</b>	3 m	aluminum	<i>BluLub.</i>
148	<b>14801B</b>	6 m	aluminum	<i>BluLub.</i>



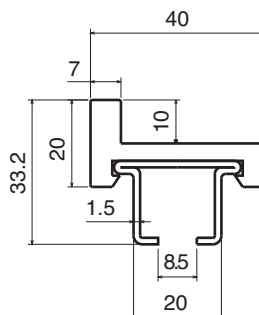
On request available in white color



**Profilo guida tappeto assemblato / Wear strip assembled for belt / Gleitleiste für mattenketten kpl montiert**



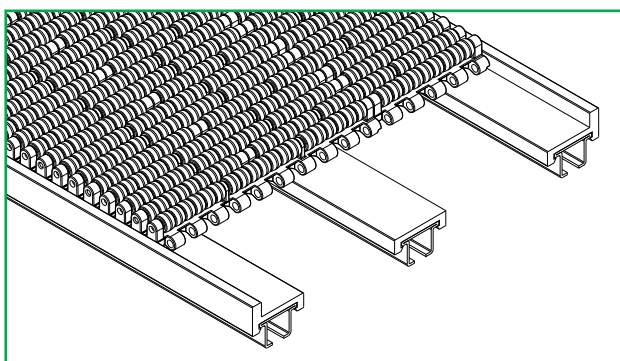
Part	Article-Nr.	L	Material	Colour
157	<b>15701C</b>	3 m	AISI 304	green
157	<b>15701</b>	6 m	AISI 304	green
157	<b>15702C</b>	3 m	AISI 430	green
157	<b>15702</b>	6 m	AISI 430	green



On request available in white color



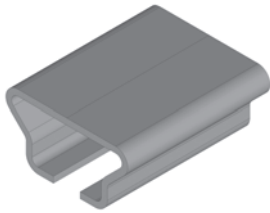
Assembly with accessories at pages 207-208



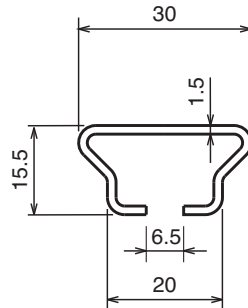
- RED = STOCK ITEM
- BLACK = ON REQUEST

**Material:**

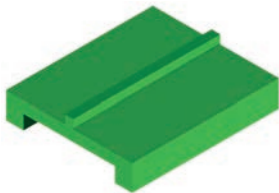
Polyethylene UHMW-PE with molecular density 5,600,000 g/mol  
 Linear expansion coefficient:  $1.1 \times 10^{-4} \text{ } ^\circ\text{F}^{-1}$  ( $2 \times 10^{-4} \text{ } ^\circ\text{C}^{-1}$ )  
 Operating temperature: -40 to 176°F (-40 to +80°C)



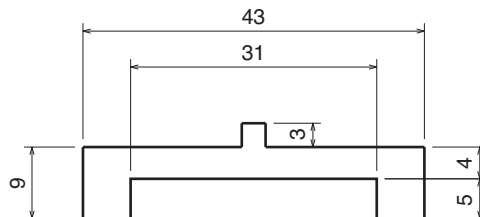
**Profilo Delta / D-Profile / D-Profil**



Part	Article-Nr.	L	Material
118	11801C	3 m	AISI 304
118	11801	6 m	AISI 304
118	11802C	3 m	AISI 430
118	11802	6 m	AISI 430

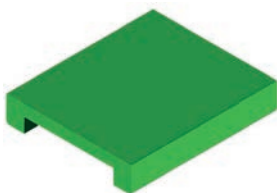


**Profilo ad "U" con bordo / U-profile with nose / U-Profil mit Nase**

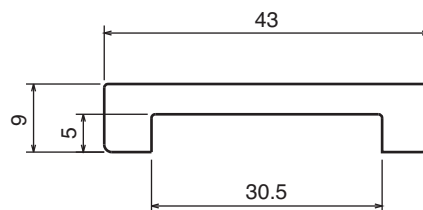


Part	Article-Nr.	L	Colour
149	14950C	3 m	black
149	14950	6 m	black
149	14952C	3 m	green
149	14952	6 m	green

On request available in white color



**Profilo ad "U" / U-profile / U-Profil**



Part	Article-Nr.	L	Colour
177	17701C	3 m	black
177	17701	6 m	black
177	17702C	3 m	green
177	17702	6 m	green
177	17701BC	3 m	<b>BluLub</b>
177	17701B	6 m	<b>BluLub</b>

On request available in white color



Material:

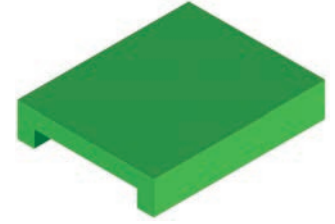
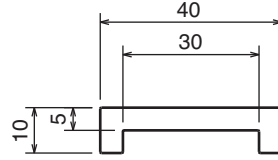
Polyethylene UHMW-PE with molecular density 5,600,000 g/mol  
Linear expansion coefficient:  $1.1 \times 10^{-4} \text{ } ^\circ\text{F}^{-1}$  ( $2 \times 10^{-4} \text{ } ^\circ\text{C}^{-1}$ )  
Operating temperature: -40 to 176°F (-40 to +80°C)

- RED = STOCK ITEM
- BLACK = ON REQUEST

Profilo ad "U" / U-profile / U-Profil

Part	Article-Nr.	L	Colour
1059	105901C	3 m	black
1059	105901	6 m	black
1059	105902C	3 m	green
1059	105902	6 m	green
1059	105901BC	3 m	<i>BluLub.</i>
1059	105901B	6 m	<i>BluLub.</i>

**New**

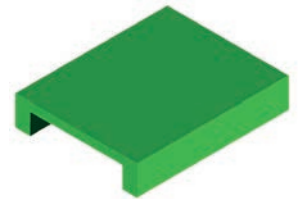
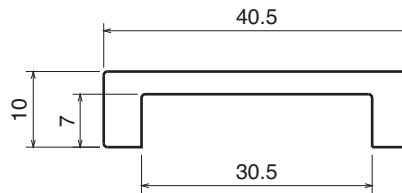


On request available in white color



Profilo ad "U" / U-profile / U-Profil

Part	Article-Nr.	L	Colour
178	17801C	3 m	black
178	17801	6 m	black
178	17802C	3 m	green
178	17802	6 m	green
178	17801BC	3 m	<i>BluLub.</i>
178	17801B	6 m	<i>BluLub.</i>



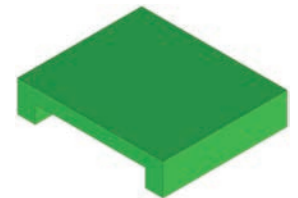
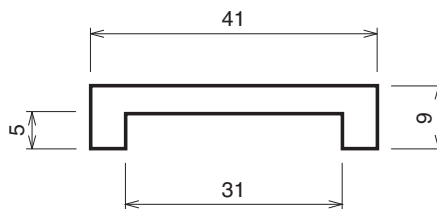
On request available in white color



Profilo ad "U" / U-profile / U-Profil

Part	Article-Nr.	L	Colour
111	11101C	3 m	black
111	11101	6 m	black
111	11102C	3 m	green
111	11102	6 m	green

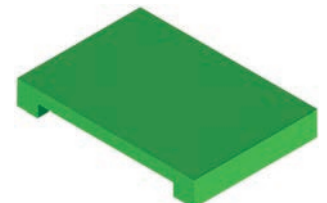
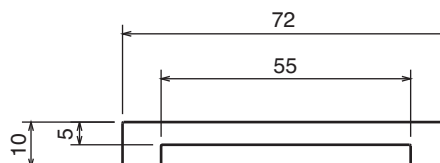
On request available in white color



Profilo ad "U" / U-profile / U-Profil

Part	Article-Nr.	L	Colour
1060	106001C	3 m	black
1060	106001	6 m	black
1060	106002C	3 m	green
1060	106002	6 m	green

**New**



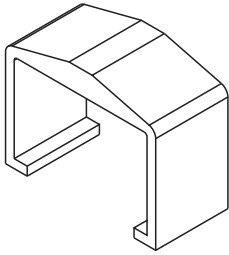
On request available in white color



- RED = STOCK ITEM
- BLACK = ON REQUEST

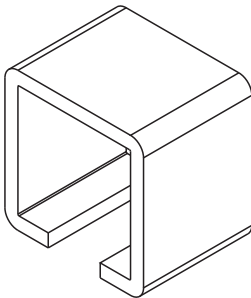
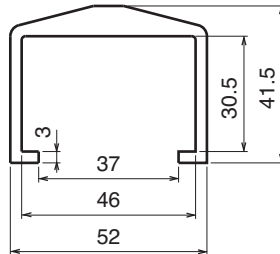
**Material:**

Polyethylene UHMW-PE with molecular density 5,600,000 g/mol  
 Linear expansion coefficient:  $1.1 \times 10^{-4} \text{ } ^\circ\text{F}^{-1}$  ( $2 \times 10^{-4} \text{ } ^\circ\text{C}^{-1}$ )  
 Operating temperature: -40 to 176°F (-40 to +80°C)



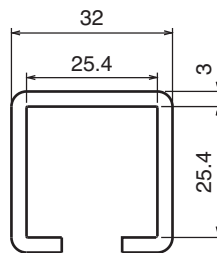
**Copri profilo / Bar cover / Abdeckprofil**

Part	Article-Nr.	L	Colour
180	18003C	3 m	white
180	18003	6 m	white

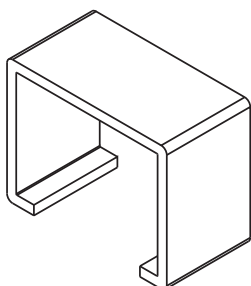


**Copri profilo 25.4x25.4 / Bar cover 25.4x25.4 / Abdeckprofil 25.4x25.4**

Part	Article-Nr.	L	Colour
181	18103C	3 m	white
181	18103	6 m	white

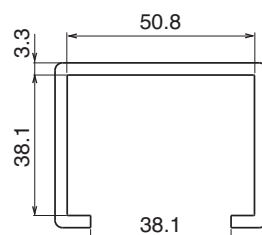


Fit on 25.4x25.4 mm



**Copri profilo 38.1x50.8 / Bar cover 38.1x50.8 / Abdeckprofil 38.1x50.8**

Part	Article-Nr.	L	Colour
1052	105203C	3 m	white
1052	105203	6 m	white



Fit on 38.1x50.8 mm



Material:

Polyethylene UHMW-PE with molecular density 5.600.000 g/mol  
Linear expansion coefficient:  $1.1 \times 10^{-4} \text{ } ^\circ\text{F}^{-1}$  ( $2 \times 10^{-4} \text{ } ^\circ\text{C}^{-1}$ )  
Operating temperature: -40 to 176°F (-40 to +80°C)

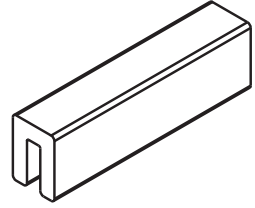
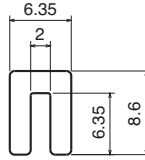
- RED = STOCK ITEM
- BLACK = ON REQUEST

Copri profilo 1.5 mm / Bar cap 1.5 mm / Abdeckprofil 1.5 mm

Part	Article-Nr.	L	Colour
1000	100003-30	30 m	white



Fit on 1.5 mm

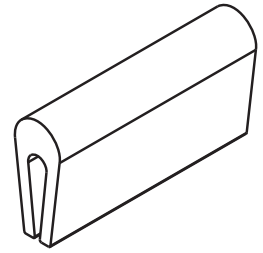
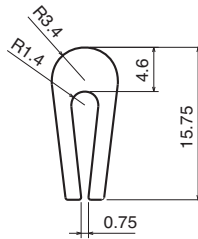


Copri profilo 1.5 mm / Bar cap 1.5 mm / Abdeckprofil 1.5 mm

Part	Article-Nr.	L	Colour
1001	100103-30	30 m	white



Fit on 1.5 mm

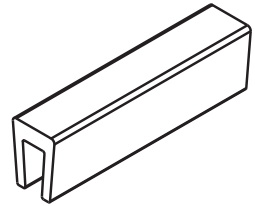
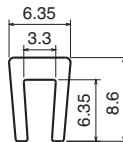


Copri profilo 3 mm / Bar cap 3 mm / Abdeckprofil 3 mm

Part	Article-Nr.	L	Colour
1002	100203-30	30 m	white



Fit on 3 mm

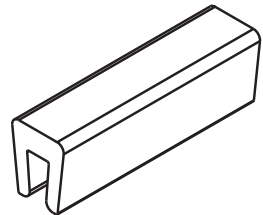
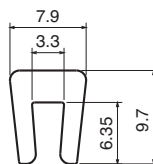


Copri profilo 3 mm / Bar cap 3 mm / Abdeckprofil 3 mm

Part	Article-Nr.	L	Material
1003	100303-30	30 m	white



Fit on 3 mm

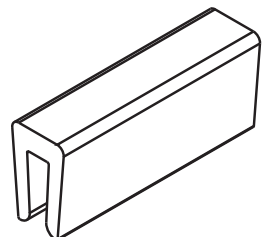
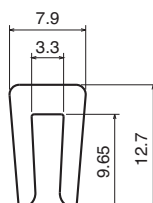


Copri profilo 3 mm / Bar cap 3 mm / Abdeckprofil 3 mm

Part	Article-Nr.	L	Material
1004	100403-30	30 m	white



Fit on 3 mm



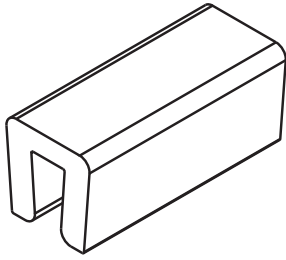
- RED = STOCK ITEM
- BLACK = ON REQUEST

**Material:**

Polyethylene UHMW-PE with molecular density 5,600,000 g/mol

Linear expansion coefficient:  $1.1 \times 10^{-4} \text{ } ^\circ\text{F}^{-1}$  ( $2 \times 10^{-4} \text{ } ^\circ\text{C}^{-1}$ )

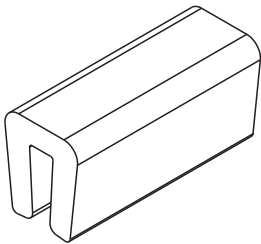
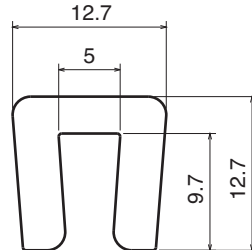
Operating temperature: -40 to 176°F (-40 to +80°C)



**Copri profilo 5 mm / Bar cap 5 mm / Abdeckprofil 5 mm**

Part	Article-Nr.	L	Colour
1006	100603-30	30 m	white

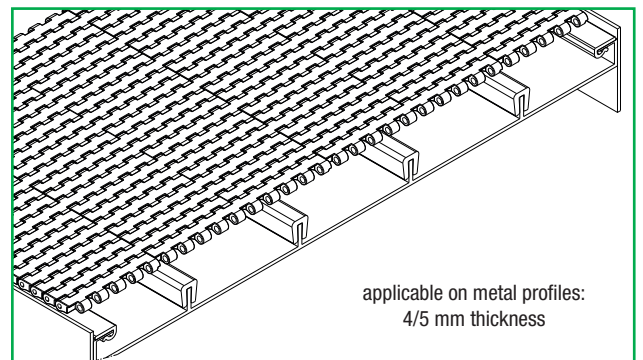
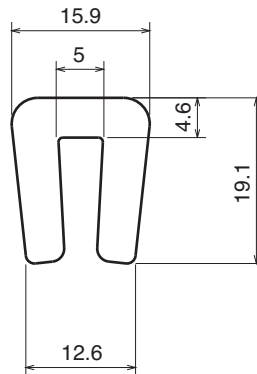
Fit on 5 mm



**Copri profilo 5 mm / Bar cap 5 mm / Abdeckprofil 5 mm**

Part	Article-Nr.	Colour
153	15303-30	white

Fit on 4/5 mm



applicable on metal profiles:  
4/5 mm thickness

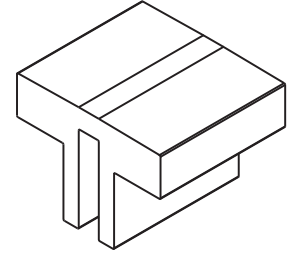


**Material:**

Polyethylene UHMW-PE with molecular density 5,600,000 g/mol  
 Linear expansion coefficient:  $1.1 \times 10^{-4} \text{ } ^\circ\text{F}^{-1}$  ( $2 \times 10^{-4} \text{ } ^\circ\text{C}^{-1}$ )  
 Operating temperature: -40 to 176°F (-40 to +80°C)

- RED = STOCK ITEM
- BLACK = ON REQUEST

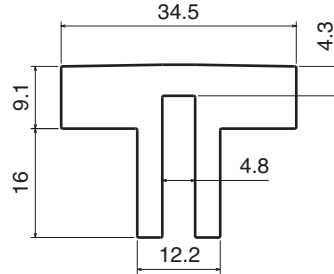
**Copri profilo 5 mm / Bar cap 5 mm / Abdeckprofil 5 mm**



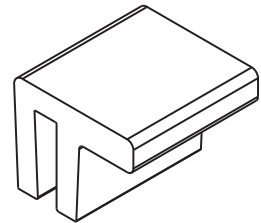
Part	Article-Nr.	L	Colour
1007	100703	6 m	white
1007	100703B	6 m	<b>BiuLub.</b>



Fit on 5 mm



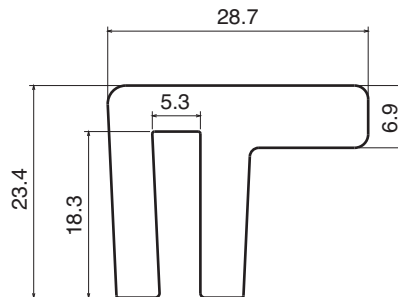
**Copri profilo 5 mm / Bar cap 5 mm / Abdeckprofil 5 mm**



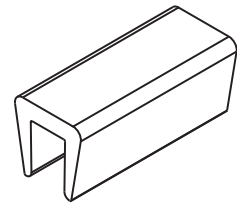
Part	Article-Nr.	L	Colour
1008	100803	6 m	white
1008	100803B	6 m	<b>BiuLub.</b>



Fit on 5 mm



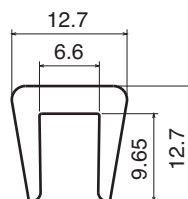
**Copri profilo 6 mm / Bar cap 6 mm / Abdeckprofil 6 mm**



Part	Article-Nr.	L	Colour
1009	100903-30	30 m	white



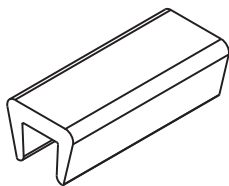
Fit on 6 mm



- RED = STOCK ITEM
- BLACK = ON REQUEST

**Material:**

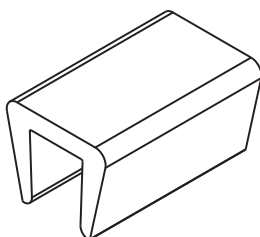
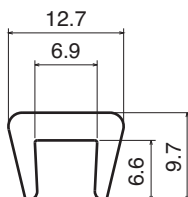
Polyethylene UHMW-PE with molecular density 5,600,000 g/mol  
 Linear expansion coefficient:  $1.1 \times 10^{-4} \text{ } ^\circ\text{F}^{-1}$  ( $2 \times 10^{-4} \text{ } ^\circ\text{C}^{-1}$ )  
 Operating temperature: -40 to 176°F (-40 to +80°C)



**Copri profilo 6 mm / Bar cap 6 mm / Abdeckprofil 6 mm**

Part	Article-Nr.	L	Colour
1010	101003-30	30 m	white

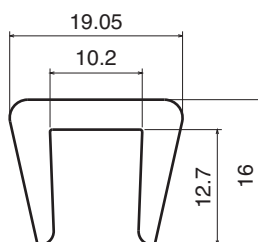
Fit on 6 mm



**Copri profilo 10 mm / Bar cap 10 mm / Abdeckprofil 10 mm**

Part	Article-Nr.	L	Colour
1011	101103-30	30 m	white

Fit on 10 mm

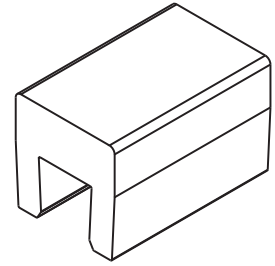


**Material:**

Polyethylene UHMW-PE with molecular density 5,600,000 g/mol  
 Linear expansion coefficient:  $1.1 \times 10^{-4} \text{ } ^\circ\text{F}^{-1}$  ( $2 \times 10^{-4} \text{ } ^\circ\text{C}^{-1}$ )  
 Operating temperature: -40 to 176°F (-40 to +80°C)

- RED = STOCK ITEM
- BLACK = ON REQUEST

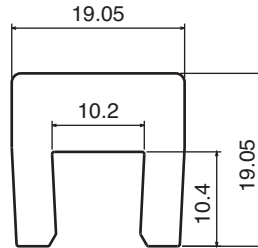
**Copri profilo 10 mm / Bar cap 10 mm / Abdeckprofil 10 mm**



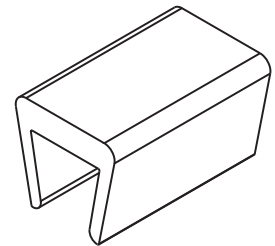
Part	Article-Nr.	L	Colour
1013	101303	6 m	white



Fit on 10 mm



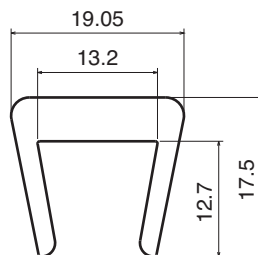
**Copri profilo 12-13 mm / Bar cap 12-13 mm / Abdeckprofil 12-13 mm**



Part	Article-Nr.	L	Colour
1012	101203-30	30 m	white



Fit on 12/13 mm



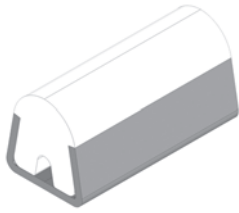
# 119-120-121-152

Guide Coniche  
Guide rail  
Konische Führungen

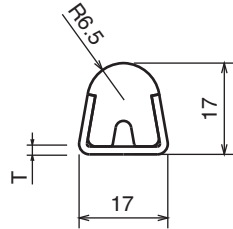
- RED = STOCK ITEM
- BLACK = ON REQUEST

Material:

Metal profile: Stainless steel  
Plastic profile UHMW-PE



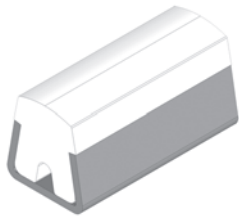
## Guida conica tonda / Guide rail round / konische Führung rund



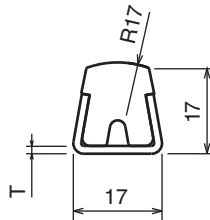
Part	Article-Nr.	Colour	Length	T	Metal profile	Type
119	11963	white	3 m	1.9	AISI 304	
119	11967	white	6 m			
119	11901C	white	3 m	1.5	AISI 304	
119	11901	white	6 m			



On request available in [BluLub®](#)



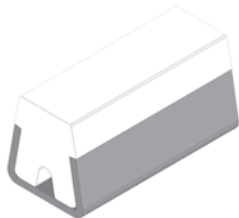
## Guida conica semitonda / Guide rail modified / konische Führung halbrund



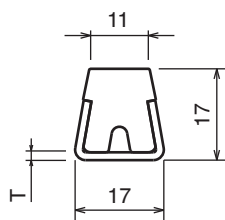
Part	Article-Nr.	Colour	Length	T	Metal profile	Type
120	12063	white	3 m	1.9	AISI 304	
120	12067	white	6 m			
120	12001C	white	3 m	1.5	AISI 304	
120	12001	white	6 m			



On request available in [BluLub®](#)



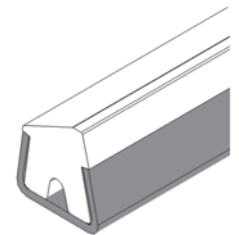
## Guida conica piatta / Guide rail flat / konische Führung flach



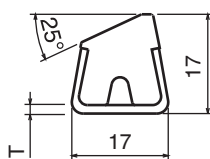
Part	Article-Nr.	Colour	Length	T	Metal profile	Type
121	12163	white	3 m	1.9	AISI 304	
121	12167	white	6 m			
121	12101C	white	3 m	1.5	AISI 304	
121	12101	white	6 m			



On request available in [BluLub®](#)



## Guida conica 25° / Guide rail 25° / konische Führung 25°



Part	Article-Nr.	Colour	Length	T	Metal profile	Type
152	15263	white	3 m	1.9	AISI 304	
152	15267	white	6 m			
152	15201C	white	3 m	1.5	AISI 304	
152	15201	white	6 m			



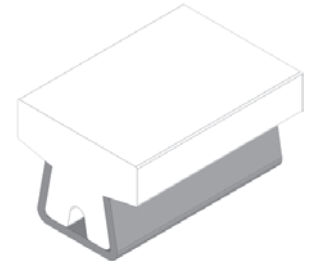
On request available in [BluLub®](#)



- RED = STOCK ITEM
- BLACK = ON REQUEST

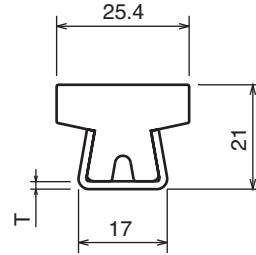
**Material:**

Metal profile: Stainless steel  
Plastic profile UHMW-PE

**Guida conica profilo a T 25,4 mm / Guide rail T-shape 25,4 mm / konische Führung flach (T) 25,4 mm**



Part	Article-Nr.	Colour	Length	T	Metal profile	Type
122	12263	white	3 m	1.9	AISI 304	
122	12267	white	6 m			
122	12201C	white	3 m	1.5	AISI 304	
122	12201	white	6 m			





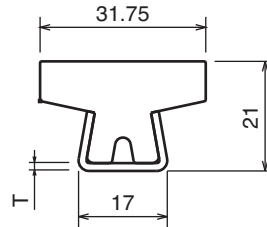
On request available in [BluLub](#)



**Guida conica profilo a T 31,75 mm / Guide rail T-shape 31,75 mm / konische Führung flach (T) 31,75 mm**



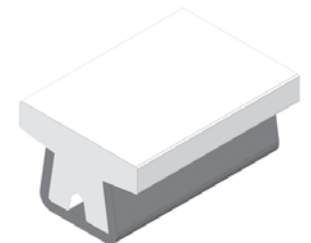
Part	Article-Nr.	Colour	Length	T	Metal profile	Type
123	12363	white	3 m	1.9	AISI 304	
123	12367	white	6 m			
123	12301C	white	3 m	1.5	AISI 304	
123	12301	white	6 m			





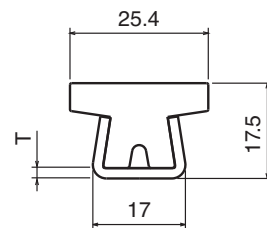
On request available in [BluLub](#)



**Guida conica profilo a T 25,4 mm / Guide rail T-shape 25,4 mm / konische Führung flach (T) 25,4 mm**



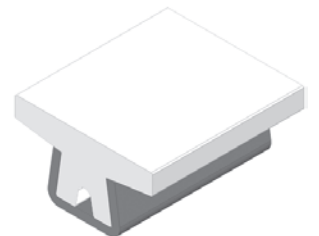
Part	Article-Nr.	Colour	Length	T	Metal profile	Type
140	14063	white	3 m	1.9	AISI 304	
140	14067	white	6 m			
140	14001C	white	3 m	1.5	AISI 304	
140	14001	white	6 m			





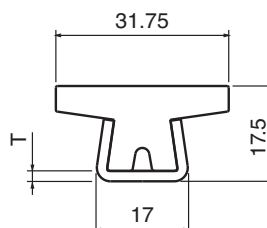
On request available in [BluLub](#)



**Guida conica profilo a T 31,75 mm / Guide rail T-shape 31,75 mm / konische Führung flach (T) 31,75 mm**



Part	Article-Nr.	Colour	Length	T	Metal profile	Type
146	14663	white	3 m	1.9	AISI 304	
146	14667	white	6 m			
146	14601C	white	3 m	1.5	AISI 304	
146	14601	white	6 m			



On request available in [BluLub](#)



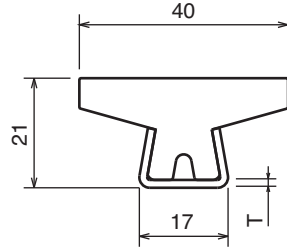
# 124-143-141-142

Guide Coniche  
Guide rail  
Konische Führungen

- RED = STOCK ITEM
- BLACK = ON REQUEST

Material:

Metal profile: Stainless steel  
Plastic profile UHMW-PE

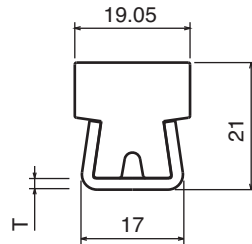


## Guida conica profilo a T 40 mm / Guide rail T-shape 40 mm / konische Führung flach (T) 40 mm

Part	Article-Nr.	Colour	Length	T	Metal profile	Type
124	12463	white	3 m	1.9	AISI 304	
124	12467	white	6 m			
124	12401C	white	3 m	1.5	AISI 304	
124	12401	white	6 m			



On request available in [BluLub](#).

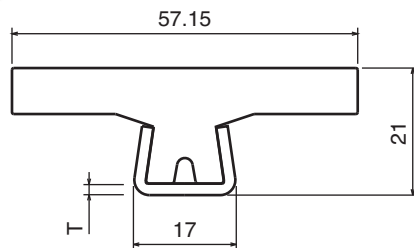
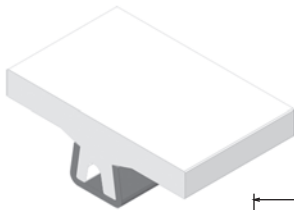


## Guida conica profilo a "T" 19,05 mm / Guide rail T-shape 19,05 mm / konische Führung flach (T) 19,05 mm

Part	Article-Nr.	Colour	Length	T	Metal profile	Type
143	14363	white	3 m	1.9	AISI 304	
143	14367	white	6 m			
143	14301C	white	3 m	1.5	AISI 304	
143	14301	white	6 m			



On request available in [BluLub](#).

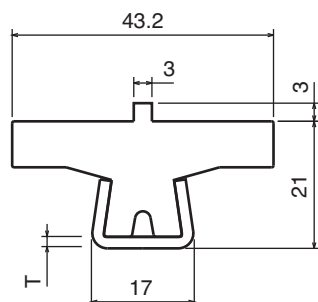
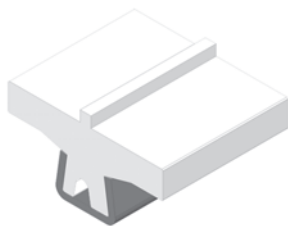


## Guida conica profilo a "T" 57,15 mm / Guide rail T-shape 57,15 mm / konische Führung flach (T) 57,15 mm

Part	Article-Nr.	Colour	Length	T	Metal profile	Type
141	14163	white	3 m	1.9	AISI 304	
141	14167	white	6 m			
141	14101C	white	3 m	1.5	AISI 304	
141	14101	white	6 m			



On request available in [BluLub](#).



## Guida conica profilo a "T" 43,2 mm / Guide rail T-shape 43,2 mm / konische Führung flach (T) 43,2 mm

Part	Article-Nr.	Colour	Length	T	Metal profile	Type
142	14263	white	3 m	1.9	AISI 304	
142	14267	white	6 m			
142	14201C	white	3 m	1.5	AISI 304	
142	14201	white	6 m			



On request available in [BluLub](#).

**Material:**

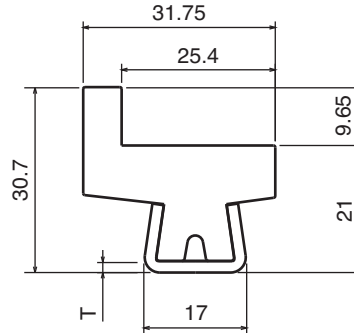
Metal profile: Stainless steel  
Plastic profile UHMW-PE

- RED = STOCK ITEM
- BLACK = ON REQUEST

**Guida conica profilo a "L" 31,75 mm / Guide rail L-shape 31,75 mm / konische Führung flach (L) 31,75 mm**

Part	Article-Nr.	Colour	Length	T	Metal profile	Type
125	12563	white	3 m	1.9	AISI 304	
125	12567	white	6 m			
125	12501C	white	3 m	1.5	AISI 304	
125	12501	white	6 m			

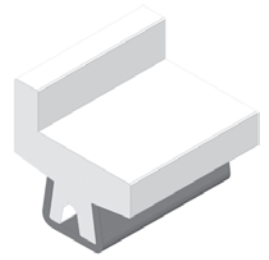
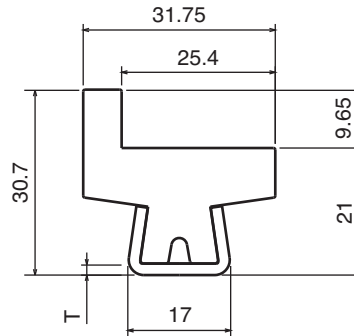
On request available in **BluLub**.



**Guida conica profilo a "L" 31,75 mm / Guide rail L-shape 31,75 mm / konische Führung flach (L) 31,75 mm**

Part	Article-Nr.	Colour	Length	T	Metal profile	Type
144	14463	white	3 m	1.9	AISI 304	
144	14467	white	6 m			
144	14401C	white	3 m	1.5	AISI 304	
144	14401	white	6 m			

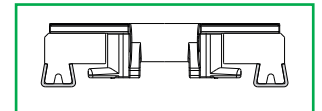
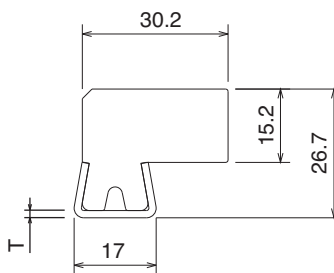
On request available in **BluLub**.



**Guida conica per catena / Guide rail for chain / konische Führung**

Part	Article-Nr.	Colour	Length	T	Metal profile	Type
184	18463	white	3 m	1.9	AISI 304	
184	18467	white	6 m			
184	18401C	white	3 m	1.5	AISI 304	
184	18401	white	6 m			

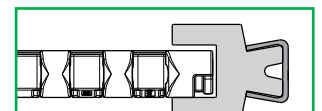
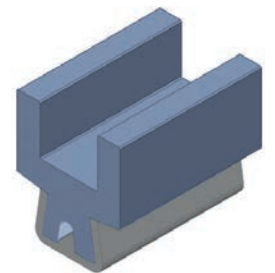
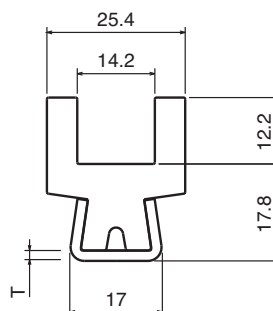
On request available in **BluLub**.



**Guida tappeto / Belt side guide / Seitenführung für Mattenkette**

Part	Article-Nr.	Colour	Length	T	Metal profile	Type
145	14563	<b>BluLub</b>	3 m	1.9	AISI 304	
145	14567	<b>BluLub</b>	6 m			
145	14503C	<b>BluLub</b>	3 m	1.5	AISI 304	
145	14503	<b>BluLub</b>	6 m			

On request available in **BluLub**.

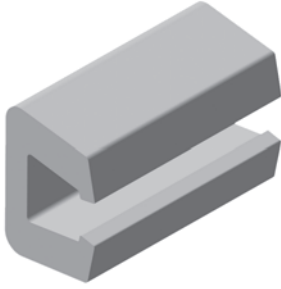


bendable profile, generally used with sideflexing belt 600 series

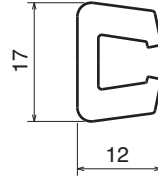
- RED = STOCK ITEM
- BLACK = ON REQUEST

**Material:**

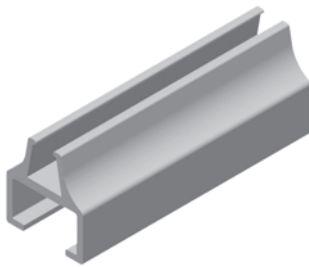
Polyethylene UHMW-PE with molecular density 5,600,000 g/mol  
Linear expansion coefficient:  $1.1 \times 10^{-4} \text{ } ^\circ\text{F}^{-1}$  ( $2 \times 10^{-4} \text{ } ^\circ\text{C}^{-1}$ )  
Operating temperature: -40 to 176°F (-40 to +80°C)



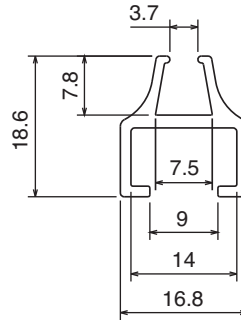
**Profilo in alluminio / Aluminum rail for bottle guide / Aluminium profil**



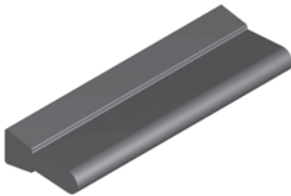
Part	Article-Nr.	L	Material
130	<b>13001C</b>	3 m	aluminium
130	<b>13001</b>	6 m	aluminium



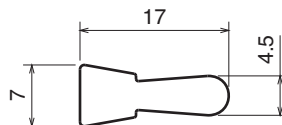
**Profilo in alluminio / Aluminum rail for bottle guide / Aluminium profil**



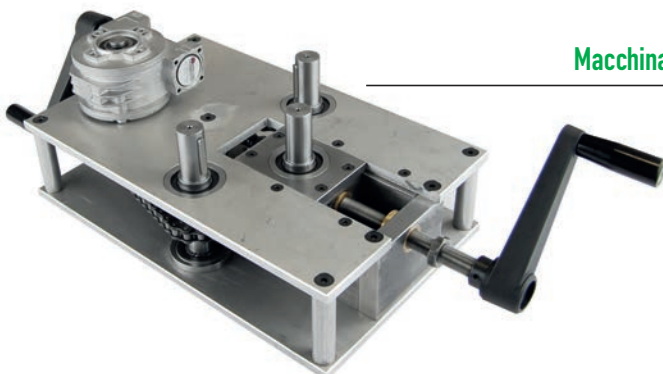
Part	Article-Nr.	L	Material
188	<b>18801C</b>	3 m	aluminium
188	<b>18801</b>	6 m	aluminium



**Profilo guida bottiglia / Plastic rail for bottle guide / Flaschenführungs profil**



Part	Article-Nr.	Material
131	<b>13101</b>	PE grey
131	<b>13101B</b>	<b>BluLub®</b>



**Macchina curvatrice / Bending machine / Biegemaschine**

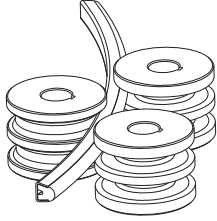
Part	Article-Nr.
199	<b>P19999</b>



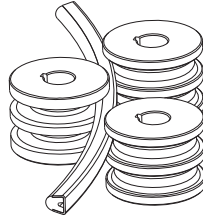
Materiale:	Material:	Materialien:
Poliammide	Polyamide	Polyamid

Rulli per macchina curvatrice / Roller for bending machine / Rollen für Biegemaschine

Internal curve



External curve

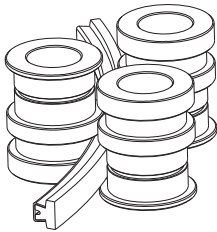


P15101

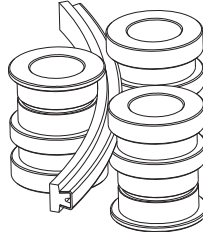
for part 119-120-121



Internal curve

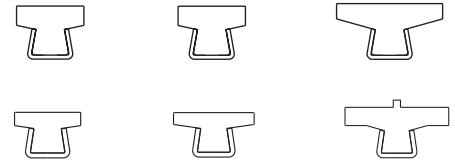


External curve

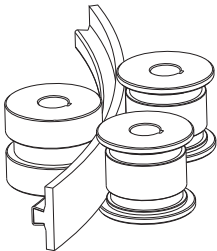


P15102

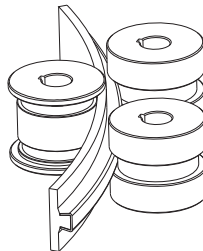
for part 122-123-124-142-140-146



Internal curve

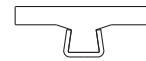


External curve

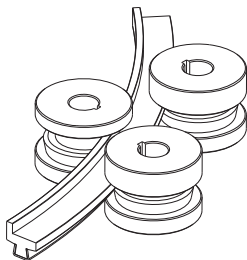


P15103

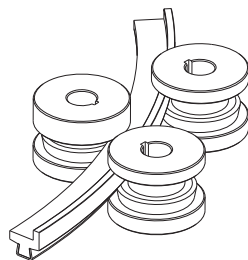
for part 141



Internal curve

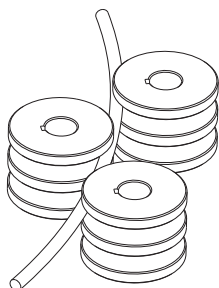


External curve



P15104

for part 144



P15105

for Ø8-Ø10-Ø12 - Ø1/2"-Ø5/8"

- RED = STOCK ITEM
- BLACK = ON REQUEST

**Material:**

Polyethylene UHMW-PE with molecular density 9,200,000 g/mol

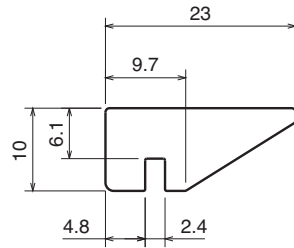
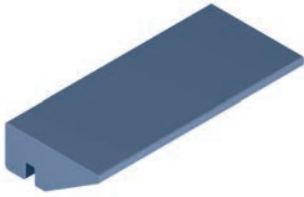
**BluLub** new material with reduced coefficient of friction and higher wear resistance.

**BluLub** complies with the code of Federal Regulations of FDA.

Linear expansion coefficient:  $1.1 \times 10^{-4} \text{ } ^\circ\text{F}^{-1}$  ( $2 \times 10^{-4} \text{ } ^\circ\text{C}^{-1}$ )

Operating temperature: -40 to 176°F (-40 to +80°C)

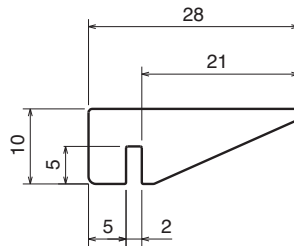
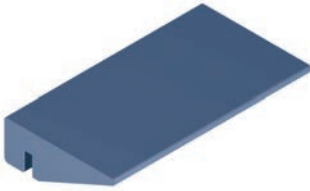
Guida collo / Neck guide / Nackenführung



Part	Article-Nr.	L	Material
170	17001B	3 m	BluLub®
170	17002B	6 m	BluLub®



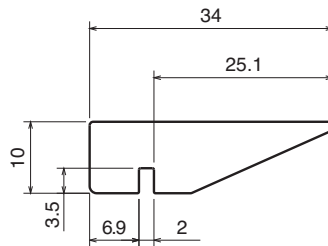
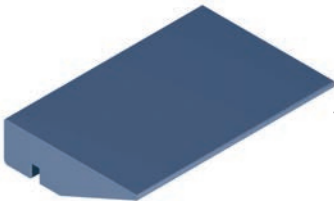
Guida collo / Neck guide / Nackenführung



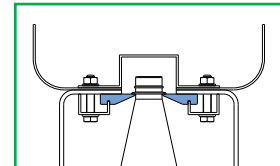
Part	Article-Nr.	L	Material
168	16801B	3 m	BluLub®
168	16802B	6 m	BluLub®



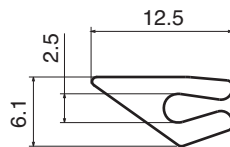
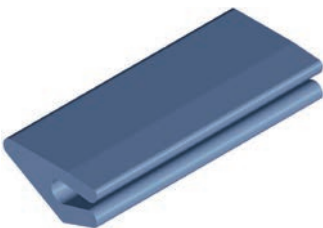
Guida collo / Neck guide / Nackenführung



Part	Article-Nr.	L	Material
169	16901B	3 m	BluLub®
169	16902B	6 m	BluLub®



Guida collo / Neck guide / Nackenführung

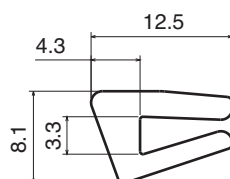
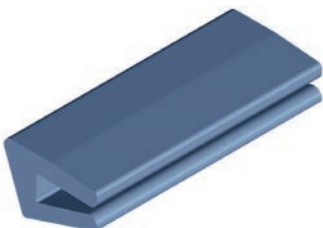


Part	Article-Nr.	L	Material
1036	103600B	30 m	BluLub®

Fit on 1.8-2 mm



Guida collo / Neck guide / Nackenführung



Part	Article-Nr.	L	Material
1037	103700B	30 m	BluLub®

Fit on 3 mm



**Material:**

Polyethylene UHMW-PE with molecular density 9,200,000 g/mol

**BluLub** new material with reduced coefficient of friction and higher wear resistance.

**BluLub** complies with the code of Federal Regulations of FDA.

Linear expansion coefficient:  $1.1 \times 10^{-4} \text{ } ^\circ\text{F}^{-1}$  ( $2 \times 10^{-4} \text{ } ^\circ\text{C}^{-1}$ )

Operating temperature: -40 to 176°F (-40 to +80°C)

- RED = STOCK ITEM
- BLACK = ON REQUEST

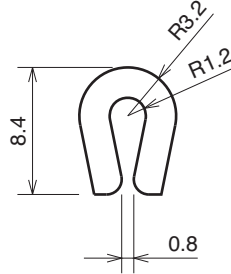
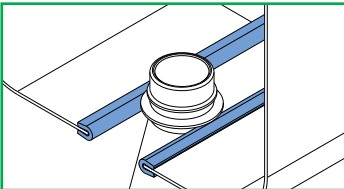
**Guida collo / Neck guide / Nackenführung**



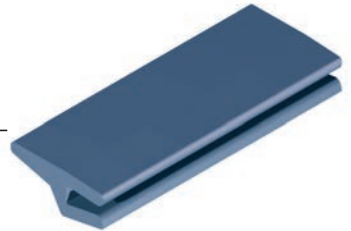
Part	Article-Nr.	L	Material
167	16700B-30	30 m	<b>BluLub</b>
167	16700B-75	75 m	<b>BluLub</b>

Fit on 1.8-2 mm  



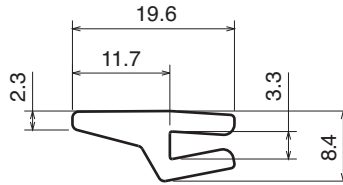


**Guida collo / Neck guide / Nackenführung**



Part	Article-Nr.	Material
171	17100B	<b>BluLub</b>

Fit on 3 mm  

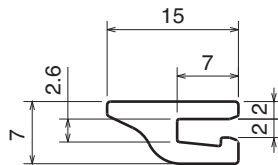



**Guida collo / Neck guide / Nackenführung**

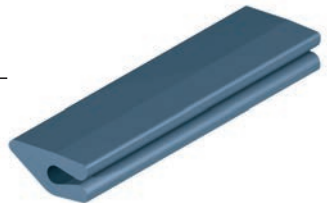


Part	Article-Nr.	Material
172	17200B	<b>BluLub</b>


Fit on 3 mm  

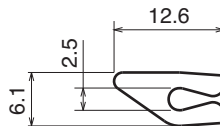



**Guida collo / Neck guide / Nackenführung**

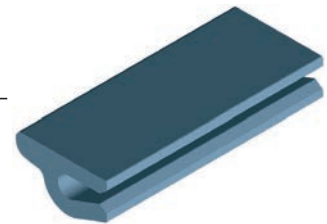


Part	Article-Nr.	Material
173	17300B	<b>BluLub</b>


Fit on 1.8-2 mm  


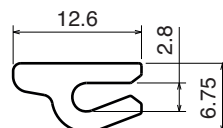


**Guida collo / Neck guide / Nackenführung**



Part	Article-Nr.	Material
192	19200B	<b>BluLub</b>

Fit on 1.8-2 mm  




- RED = STOCK ITEM
- BLACK = ON REQUEST

**Material:**

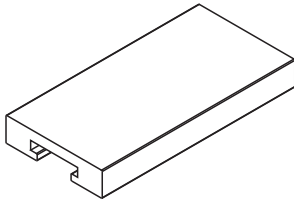
Polyethylene UHMW-PE with molecular density 9,200,000 g/mol

**BluLub** new material with reduced coefficient of friction and higher wear resistance.

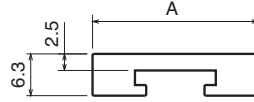
**BluLub** complies with the code of Federal Regulations of FDA.

Linear expansion coefficient:  $1.1 \times 10^{-4} \text{ } ^\circ\text{F}^{-1}$  ( $2 \times 10^{-4} \text{ } ^\circ\text{C}^{-1}$ )

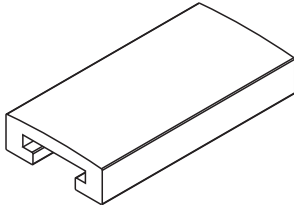
Operating temperature: -40 to 176°F (-40 to +80°C)



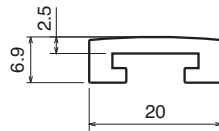
**Profilo 25 mm per guida in alluminio / Profile 25 mm for aluminum guide / C-Profil f. Aluminiumprofil**



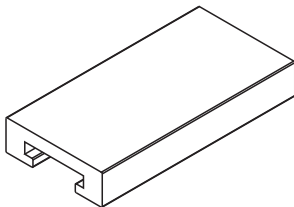
Part	Article-Nr.	A	L	Colour
163	16303C	25.4	3 m	white
163	16303	25.4	6 m	white
163	16313C	31.75	3 m	white
163	16313	31.75	6 m	white
163	16323C	35	3 m	white
163	16323	35	6 m	white
163	16324C	38.1	3 m	white
163	16324	38.1	6 m	white



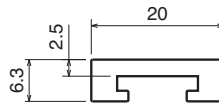
**Profilo 20 mm per guida in alluminio / Profile 20 mm for aluminum guide / C-Profil f. Aluminiumprofil**



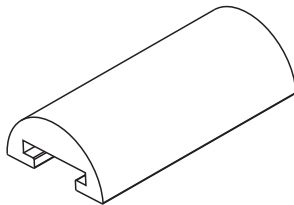
Part	Article-Nr.	L	Colour
160	16003C	3 m	white
160	16003	6 m	white



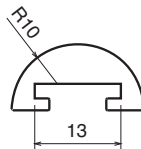
**Profilo 20 mm per guida in alluminio / Profile 20 mm for aluminum guide / C-Profil f. Aluminiumprofil**



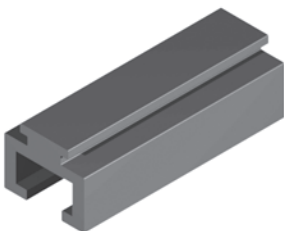
Part	Article-Nr.	L	Colour
161	16103C	3 m	white
161	16103	6 m	white



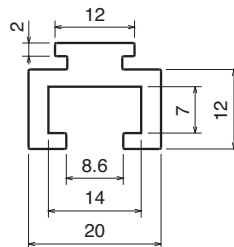
**Profilo tondo per guida in alluminio / Round profile for aluminum guide / Pilzprofil f. Aluminiumprofil**



Part	Article-Nr.	L	Colour
162	16202C	3 m	green
162	16202	6 m	green
162	16203C	3 m	white
162	16203	6 m	white



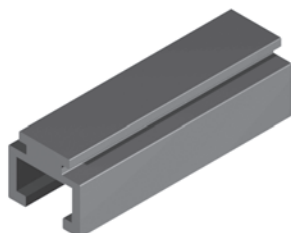
**Guida in alluminio / Aluminum guide / Aluminiumprofil**



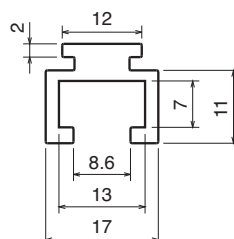
Part	Article-Nr.	L	Material
164	16401C	3 m	aluminum
164	16401	6 m	aluminum



Fixing screw:  
M8 hex.head  
or PART 362



**Guida in alluminio / Aluminum guide / Aluminiumprofil**



Part	Article-Nr.	L	Material
165	16501C	3 m	aluminum
165	16501	6 m	aluminum



Fixing screw:  
M8 hex.head  
or PART 362

**Material:**

Polyethylene UHMW-PE with molecular density 9,200,000 g/mol

**BluLub** new material with reduced coefficient of friction and higher wear resistance.

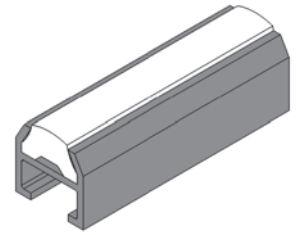
**BluLub** complies with the code of Federal Regulations of FDA.

Linear expansion coefficient:  $1.1 \times 10^{-4} \text{ } ^\circ\text{F}^{-1}$  ( $2 \times 10^{-4} \text{ } ^\circ\text{C}^{-1}$ )

Operating temperature: -40 to 176°F (-40 to +80°C)

- RED = STOCK ITEM
- BLACK = ON REQUEST

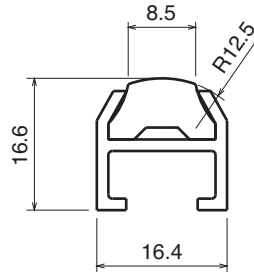
### Guida laterale / Side guide rail / Seitenführungen



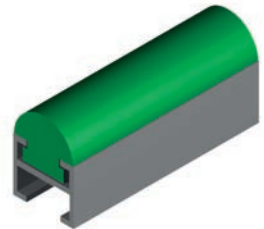
Part	Article-Nr.	L	Colour
154	15401C	3 m	white
154	15401	6 m	white
154	15401BC	3 m	<b>BluLub®</b>
154	15401B	6 m	<b>BluLub®</b>



Fixing screw:  
M8 hex.head  
or **PART 362**



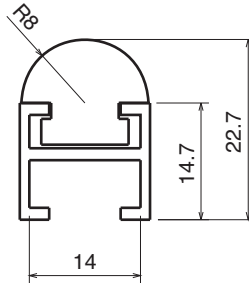
### Guida laterale / Side guide rail / Seitenführungen



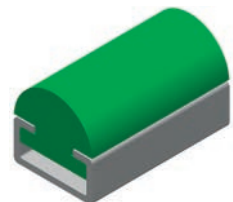
Part	Article-Nr.	L	Colour
155	15501C	3 m	green
155	15501	6 m	green



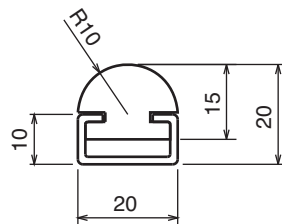
Fixing screw:  
M8 hex.head  
or **PART 362**



### Guida standard / Standard guide rail / Seitenführung



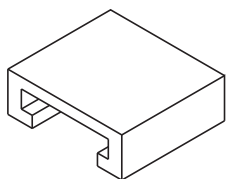
Part	Article-Nr.	L	Colour
134	13401C	3 m	green
134	13401	6 m	green



- RED = STOCK ITEM
- BLACK = ON REQUEST
- US STANDARD

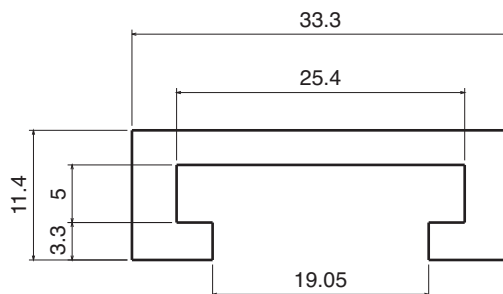
**Material:**

Polyethylene UHMW-PE with molecular density 9,200,000 g/mol  
 Linear expansion coefficient:  $1.1 \times 10^{-4} \text{ } ^\circ\text{F}^{-1}$  ( $2 \times 10^{-4} \text{ } ^\circ\text{C}^{-1}$ )  
 Operating temperature: -40 to 176°F (-40 to +80°C)



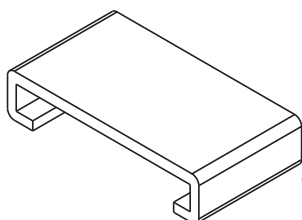
**Profilo "C" / C-Profile / C-Profil**

Part	Article-Nr.	L	Colour
1041	104103C	3 m	white
1041	104103	6 m	white



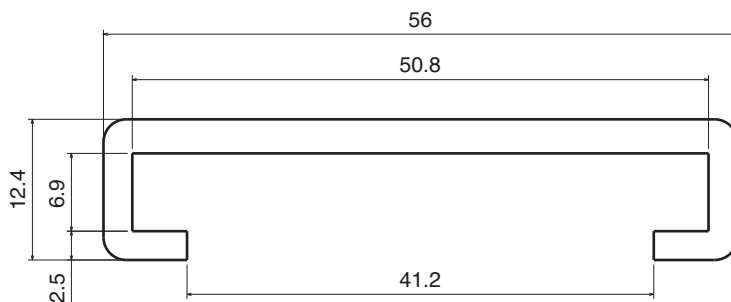
Fit on 5x25 mm

• US STANDARD



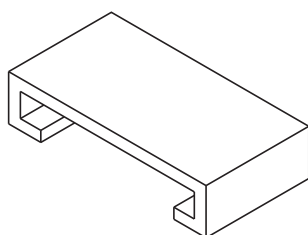
**Profilo "C" / C-Profile / C-Profil**

Part	Article-Nr.	L	Colour
1042	104203C	3 m	white
1042	104203	6 m	white



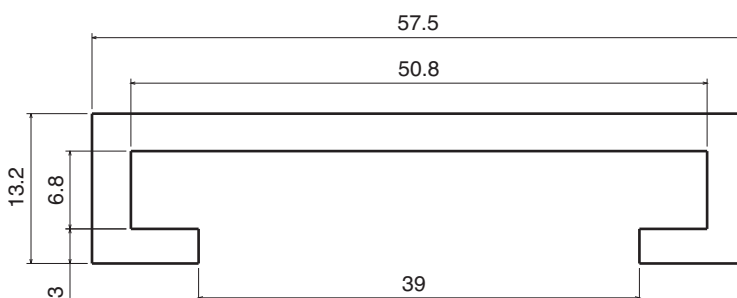
Fit on 6x50 mm

• US STANDARD



**Profilo "C" / C-Profile / C-Profil**

Part	Article-Nr.	L	Colour
1043	104303C	3 m	white
1043	104303	6 m	white



Fit on 6x50 mm

• US STANDARD



**Material:**

Polyethylene UHMW-PE with molecular density 9,200,000 g/mol  
 Linear expansion coefficient:  $1.1 \times 10^{-4} \text{ } ^\circ\text{F}^{-1}$  ( $2 \times 10^{-4} \text{ } ^\circ\text{C}^{-1}$ )  
 Operating temperature: -40 to 176°F (-40 to +80°C)

- RED = STOCK ITEM
- BLACK = ON REQUEST
- US STANDARD

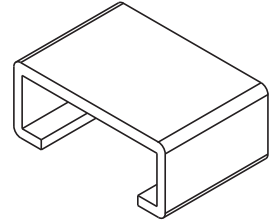
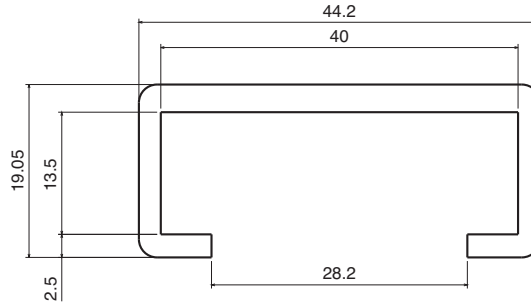
### Profilo "C" / C-Profile / C-Profil

Part	Article-Nr.	L	Colour
1044	104403C	3 m	white
1044	104403	6 m	white



Fit on 12.7x38.1 mm

• US STANDARD



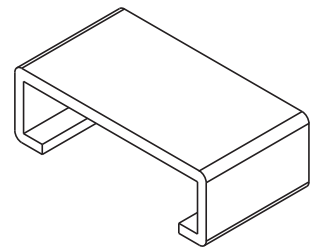
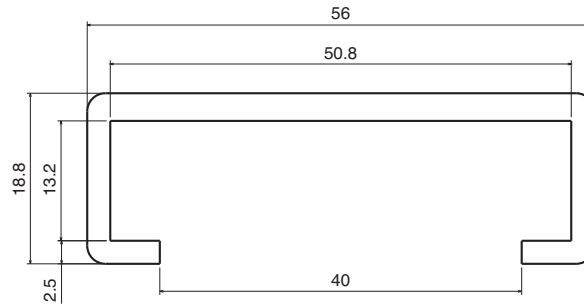
### Profilo "C" / C-Profile / C-Profil

Part	Article-Nr.	L	Colour
1045	104503C	3 m	white
1045	104503	6 m	white



Fit on 12.7x50.8 mm

• US STANDARD



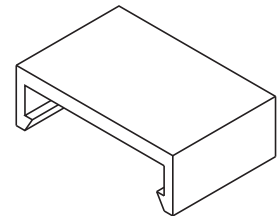
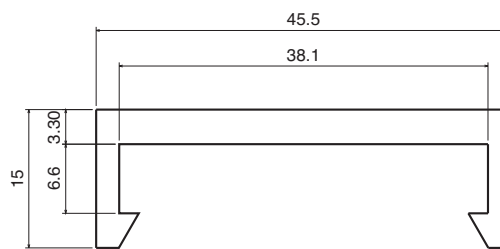
### Bar cover

Part	Article-Nr.	L	Colour
1053	105303C	3 m	white
1053	105303	6 m	white



Fit on 6.35x38.1 mm

• US STANDARD



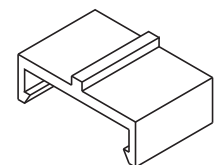
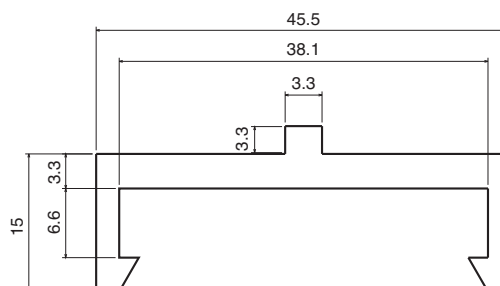
### Bar cover

Part	Article-Nr.	L	Colour
1054	105403C	3 m	white
1054	105403	6 m	white



Fit on 6.35x38.1 mm

• US STANDARD



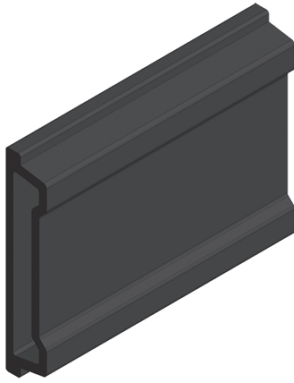
- RED = STOCK ITEM
- BLACK = ON REQUEST

Material:

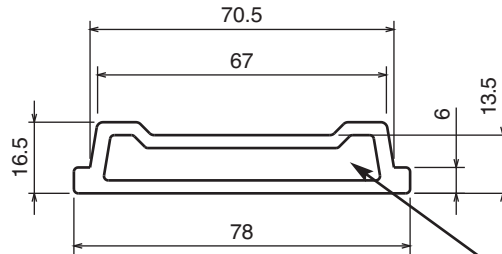
Polyethylene HMW-PE

Linear expansion coefficient:  $1.1 \times 10^{-4} \text{ } ^\circ\text{F}^{-1}$  ( $2 \times 10^{-4} \text{ } ^\circ\text{C}^{-1}$ )

Operating temperature: -40 to 176°F (-40 to +80°C)

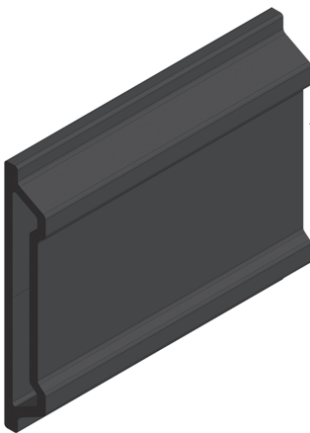


## Guida laterale H.78 mm / Side guide H.78 mm / Seitenführung H.78 mm

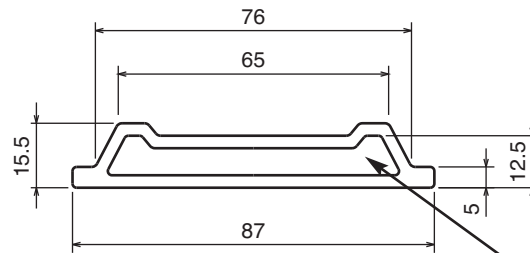


USE WITH STEEL 60x6

Part	Article-Nr.	L	Colour
135	13501C	3 m	black
135	13501	6 m	black

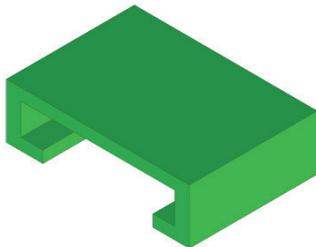
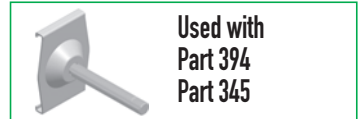


## Guida laterale H.87 mm / Side guide H.87 mm / Seitenführung H.87 mm

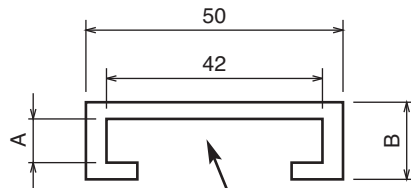


USE WITH STEEL 60x6

Part	Article-Nr.	L	Colour
136	13601C	3 m	black
136	13601	6 m	black

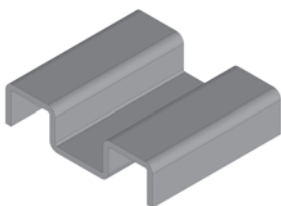


## Profilo "C" / C-profile / C-Profil

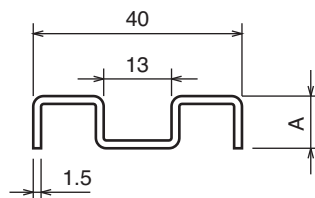


USE WITH STEEL  
40x8 OR 40x10

Part	Article-Nr.	L	A	B	Colour
137	13701C	3 m	8,5	14	green
137	13701	6 m	8,5	14	green
137	13701BC	3 m	8,5	14	BluLub.
137	13701B	6 m	8,5	14	BluLub.
137	13711C	3 m	10,5	16	green
137	13711	6 m	10,5	16	green
137	13711BC	3 m	10,5	16	BluLub.
137	13711B	6 m	10,5	16	BluLub.



## Profilo Omega / M-Profile / M-Profil



Part	Article-Nr.	L	A	Material
117	11701C	3 m	8	AISI 304
117	11701	6 m	8	AISI 304
117	11702C	3 m	10	AISI 304
117	11702	6 m	10	AISI 304

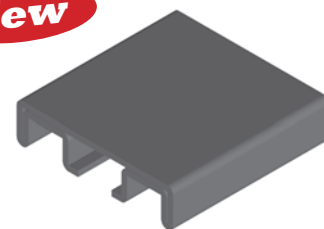




Materiale:	Material:	Materialien:
Acciaio inox o alluminio	Stainless steel or Aluminum	Edelstahl oder Aluminium

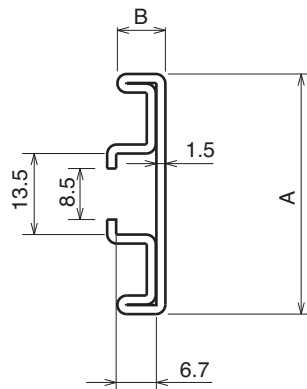
- RED = STOCK ITEM
- BLACK = ON REQUEST

**New**

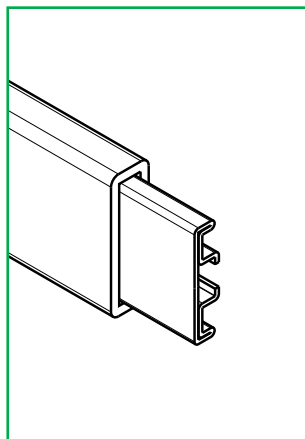


Guida in acciaio inox / Stainless steel guide / Edelstahlprofil

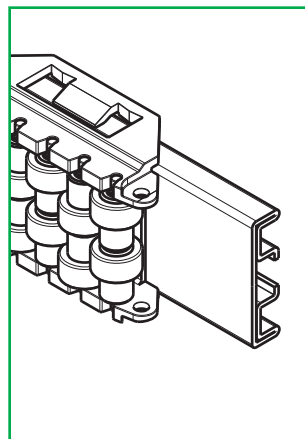
Part	Article-Nr.	L	A	B
1055	105501C	3 m	40	8
1055	105501	6 m	40	8
1055	105503C	3 m	50	6
1055	105503	6 m	50	6



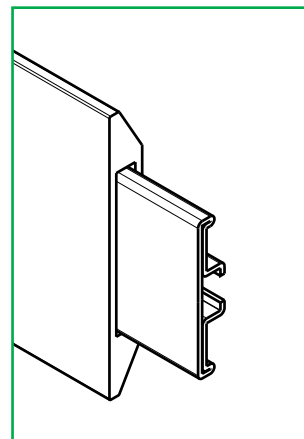
Stainless steel  
AISI 304



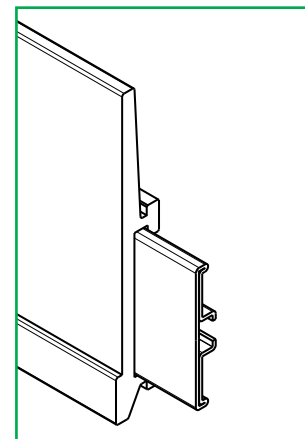
**40x8**  
used with part 13701C / 13701BC  
18914C / 18914 / 18301C / 18301



**40x8**  
used with part 36301 / 36302  
39601 / 39602



**50x6**  
used with part 104203C / 104303C  
15800C / 15801C



**50x6**  
used with part 18204C / 18204  
18904C / 18904 / 18604C / 18604

Guida in alluminio / Aluminum guide / Aluminiumprofil

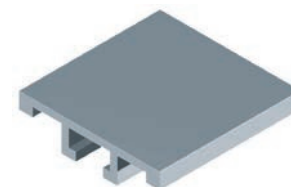
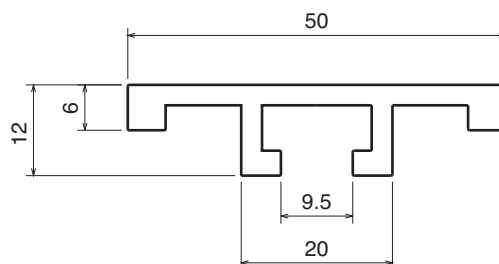
Part	Article-Nr.	L	Material
159	15901C	3 m	aluminum
159	15901	6 m	aluminum



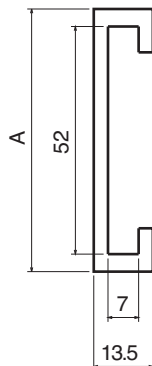
3/6 m



Fixing screw:  
M8 hex.head  
or **PART 362**



- RED = STOCK ITEM
- BLACK = ON REQUEST



**Material:**

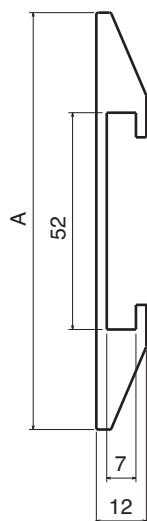
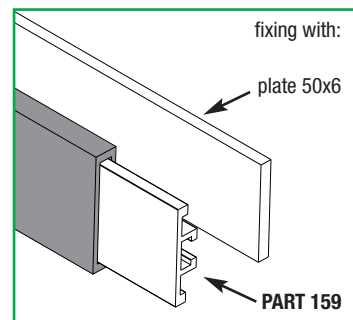
Polyethylene HMW-PE

**BluLub** new material with reduced coefficient of friction and higher wear resistance.

**BluLub** complies with the code of Federal Regulations of FDA.  
Linear expansion coefficient:  $1.1 \times 10^{-4} \text{ } ^\circ\text{F}^{-1}$  ( $2 \times 10^{-4} \text{ } ^\circ\text{C}^{-1}$ )  
Operating temperature: -40 to 176°F (-40 to +80°C)

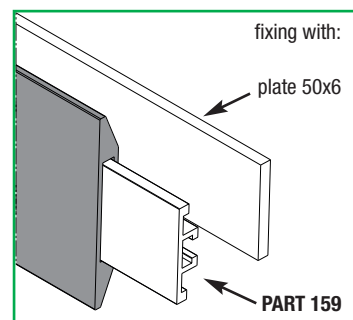
**Guida laterale / Side guide rail / Seitenführung**

Part	Article-Nr.	L	A	Colour
158	15800C	3 m	60	grey
158	15800	6 m	60	grey
158	15800BC	3 m	60	<b>BluLub</b>
158	15800B	6 m	60	<b>BluLub</b>



**Guida laterale / Side guide rail / Seitenführung**

Part	Article-Nr.	L	A	Colour
158	15801C	3 m	90	grey
158	15801	6 m	90	grey
158	15801BC	3 m	90	<b>BluLub</b>
158	15801B	6 m	90	<b>BluLub</b>
158	15802C	3 m	100	grey
158	15802	6 m	100	grey
158	15802BC	3 m	100	<b>BluLub</b>
158	15802B	6 m	100	<b>BluLub</b>
158	15803C	3 m	120	grey
158	15803	6 m	120	grey
158	15803BC	3 m	120	<b>BluLub</b>
158	15803B	6 m	120	<b>BluLub</b>



**Material:**

Polyethylene HMW-PE

**BluLub** new material with reduced coefficient of friction and higher wear resistance.

**BluLub** complies with the code of Federal Regulations of FDA.

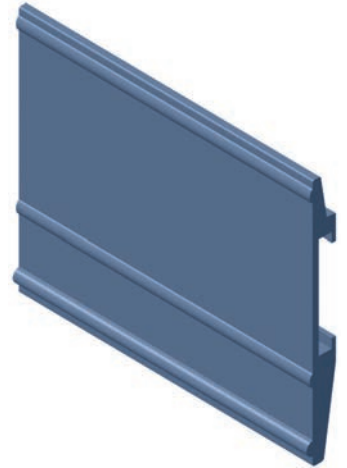
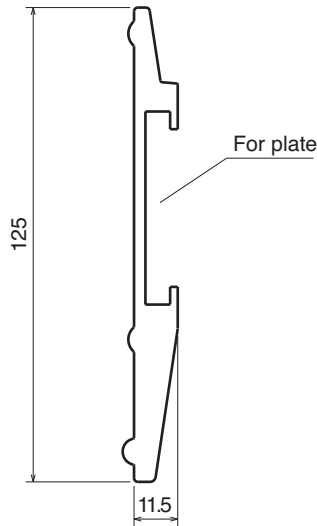
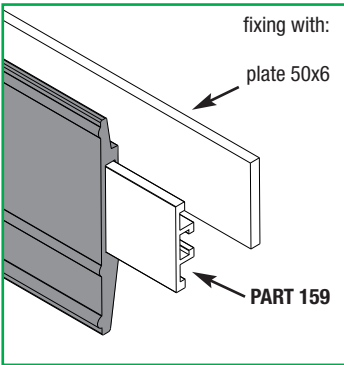
Linear expansion coefficient:  $1.1 \times 10^{-4} \text{ } ^\circ\text{F}^{-1}$  ( $2 \times 10^{-4} \text{ } ^\circ\text{C}^{-1}$ )

Operating temperature: -40 to 176°F (-40 to +80°C)

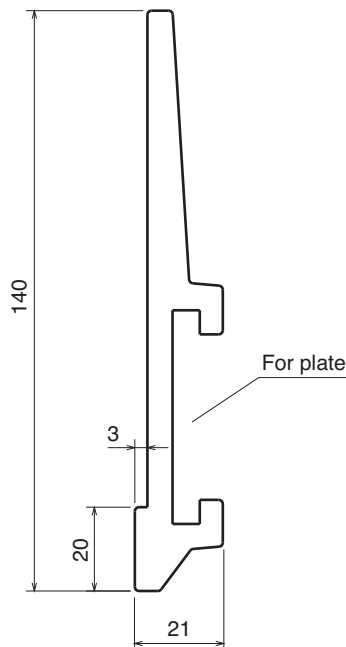
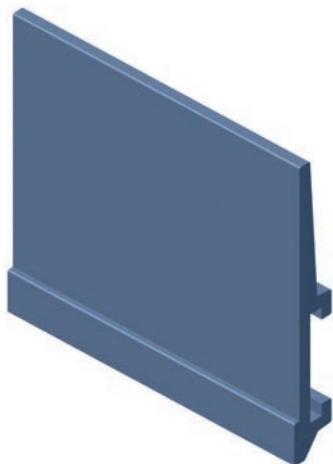
- RED = STOCK ITEM
- BLACK = ON REQUEST

**Guida laterale / Side guide rail / Seitenführung**

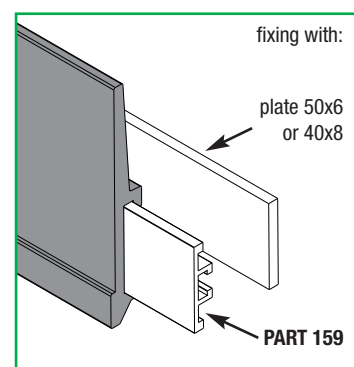
Part	Article-Nr.	L	For plate	Colour
182	18204C	3 m	50x6	grey
182	18204	6 m	50x6	grey
182	18200BC	3 m	50x6	<b>BluLub®</b>
182	18200B	6 m	50x6	<b>BluLub®</b>



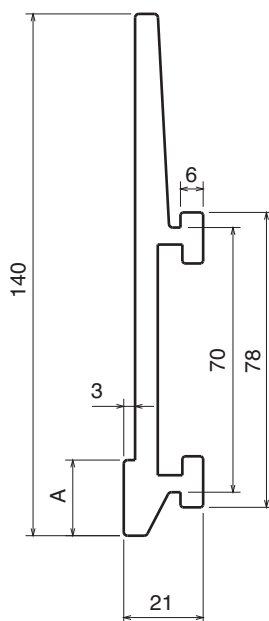
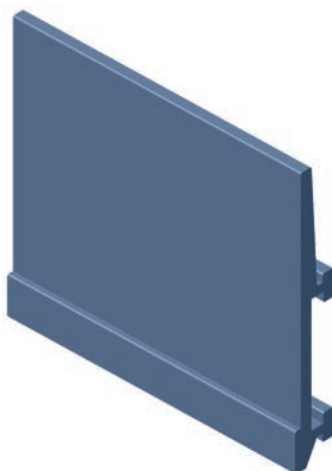
- RED = STOCK ITEM
- BLACK = ON REQUEST



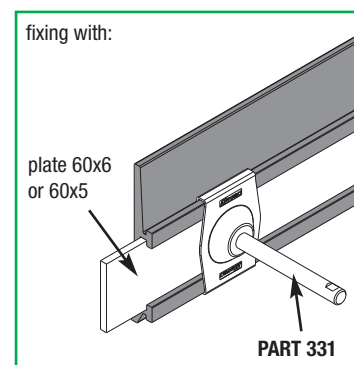
Part	Article-Nr.	L	For plate	Colour
189	18904C	3 m	50x6	grey
189	18904	6 m	50x6	grey
189	18900BC	3 m	50x6	BluLub®
189	18900B	6 m	50x6	BluLub®
189	18914C	3 m	40x8	grey
189	18914	6 m	40x8	grey
189	18910BC	3 m	40x8	BluLub®
189	18910B	6 m	40x8	BluLub®



### Guida laterale / Side guide rail / Seitenführung



Part	Article-Nr.	L	A	For plate	Colour
189	18924C	3 m	20	60x6	grey
189	18924	6 m	20	60x6	grey
189	18920BC	3 m	20	60x6	BluLub®
189	18920B	6 m	20	60x6	BluLub®
189	18934C	3 m	40	60x6	grey
189	18934	6 m	40	60x6	grey
189	18930BC	3 m	40	60x6	BluLub®
189	18930B	6 m	40	60x6	BluLub®
189	18944C	3 m	40	60x5	grey
189	18944	6 m	40	60x5	grey
189	18940BC	3 m	40	60x5	BluLub®
189	18940B	6 m	40	60x5	BluLub®



**Material:**

Polyethylene HMW-PE

**BluLub** new material with reduced coefficient of friction and higher wear resistance.

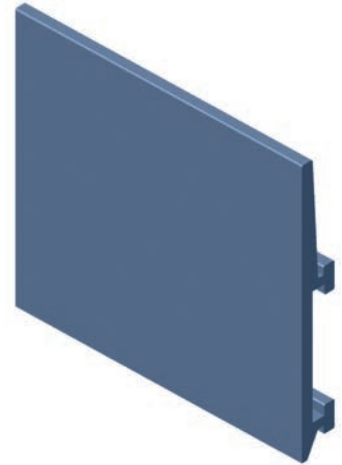
**BluLub** complies with the code of Federal Regulations of FDA.

Linear expansion coefficient:  $1.1 \times 10^{-4} \text{ } ^\circ\text{F}^{-1}$  ( $2 \times 10^{-4} \text{ } ^\circ\text{C}^{-1}$ )

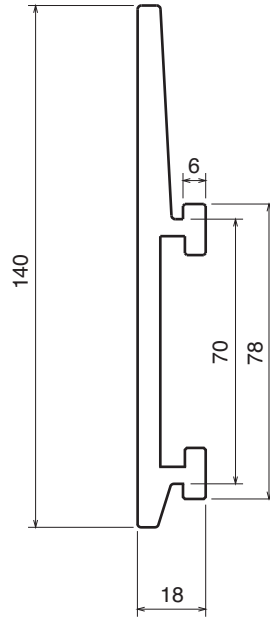
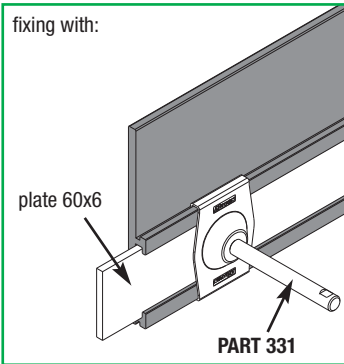
Operating temperature: -40 to 176°F (-40 to +80°C)

- RED = STOCK ITEM
- BLACK = ON REQUEST

### Guida laterale / Side guide rail / Seitenführung

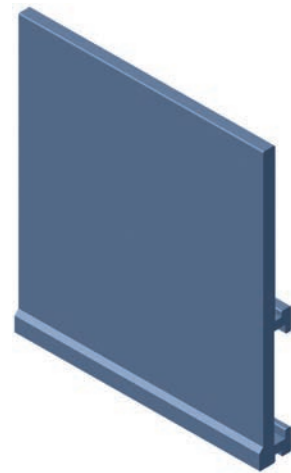
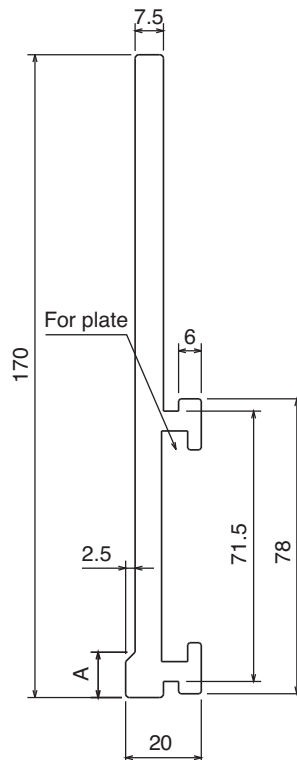
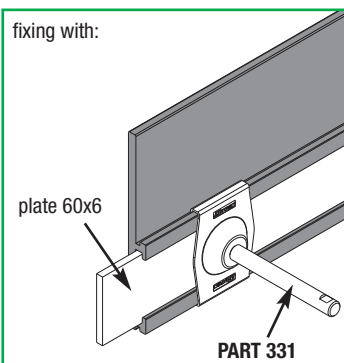


Part	Article-Nr.	L	For plate	Colour
193	19324C	3 m	60x6	grey
193	19324	6 m	60x6	grey
193	19320BC	3 m	60x6	<b>BluLub</b>
193	19320B	6 m	60x6	<b>BluLub</b>



### Guida laterale / Side guide rail / Seitenführung

Part	Article-Nr.	L	A	For plate	Colour
187	18724C	3 m	12	60x6	grey
187	18724	6 m	12	60x6	grey
187	18720BC	3 m	12	60x6	<b>BluLub</b>
187	18720B	6 m	12	60x6	<b>BluLub</b>
187	18734C	3 m	20	60x6	grey
187	18734	6 m	20	60x6	grey
187	18730BC	3 m	20	60x6	<b>BluLub</b>
187	18730B	6 m	20	60x6	<b>BluLub</b>
187	18744C	3 m	40	60x6	grey
187	18744	6 m	40	60x6	grey
187	18740BC	3 m	40	60x6	<b>BluLub</b>
187	18740B	6 m	40	60x6	<b>BluLub</b>



- RED = STOCK ITEM
- BLACK = ON REQUEST

Material:

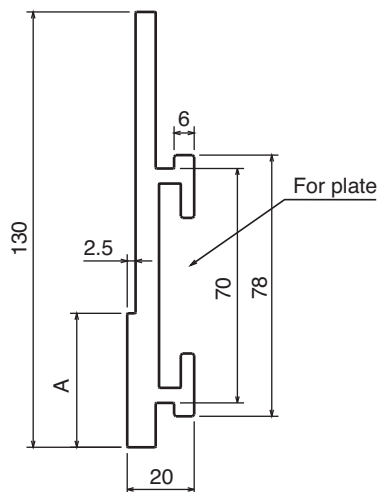
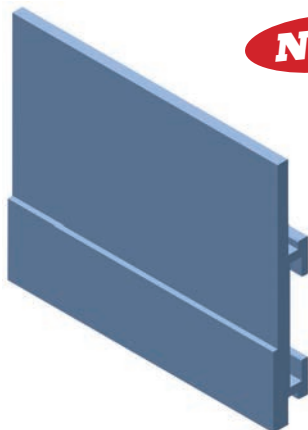
Polyethylene HMW-PE

**BluLub** new material with reduced coefficient of friction and higher wear resistance.

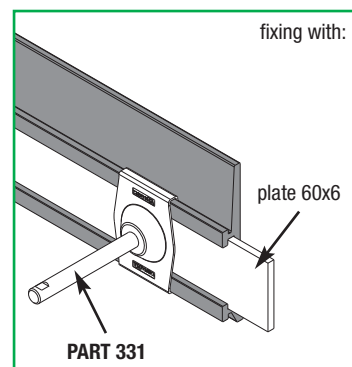
**BluLub** complies with the code of Federal Regulations of FDA.  
Linear expansion coefficient:  $1.1 \times 10^{-4} \text{ } ^\circ\text{F}^{-1}$  ( $2 \times 10^{-4} \text{ } ^\circ\text{C}^{-1}$ )  
Operating temperature: -40 to 176°F (-40 to +80°C)

**New**

## Guida laterale / Side guide rail / Seitenführung

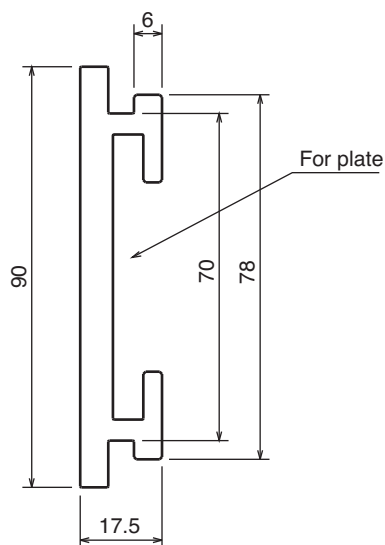
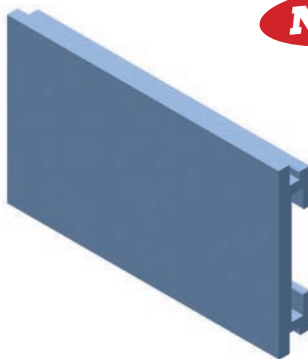


Part	Article-Nr.	L	A	For plate	Colour
1056	105604C	3 m	10	60x6	grey
1056	105604	6 m	10	60x6	grey
1056	105600BC	3 m	10	60x6	<b>BluLub</b>
1056	105600B	6 m	10	60x6	<b>BluLub</b>
1056	105634C	6 m	40	60x6	grey
1056	105634	6 m	40	60x6	grey
1056	105630BC	6 m	40	60x6	<b>BluLub</b>
1056	105630B	6 m	40	60x6	<b>BluLub</b>

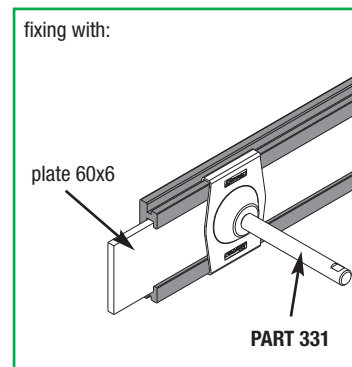


**New**

## Guida laterale / Side guide rail / Seitenführung



Part	Article-Nr.	L	For plate	Colour
1057	105704C	3 m	60x6	grey
1057	105704	6 m	60x6	grey
1057	105700BC	3 m	60x6	<b>BluLub</b>
1057	105700B	6 m	60x6	<b>BluLub</b>



**Material:**

Polyethylene HMW-PE

**BluLub** new material with reduced coefficient of friction and higher wear resistance.

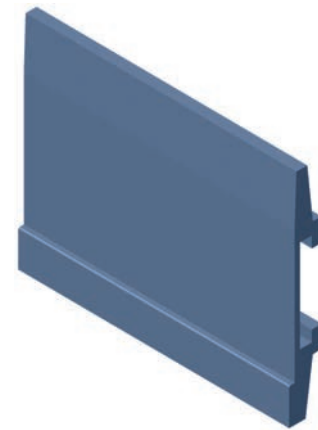
**BluLub** complies with the code of Federal Regulations of FDA.

Linear expansion coefficient:  $1.1 \times 10^{-4} \text{ } ^\circ\text{F}^{-1}$  ( $2 \times 10^{-4} \text{ } ^\circ\text{C}^{-1}$ )

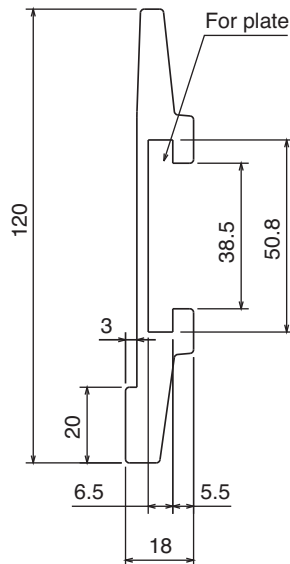
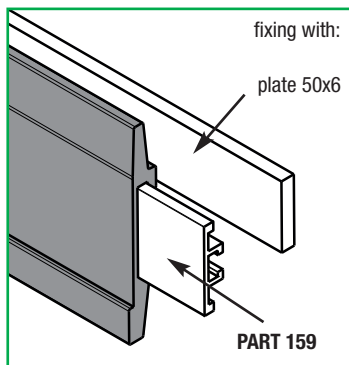
Operating temperature: -40 to 176°F (-40 to +80°C)

- RED = STOCK ITEM
- BLACK = ON REQUEST

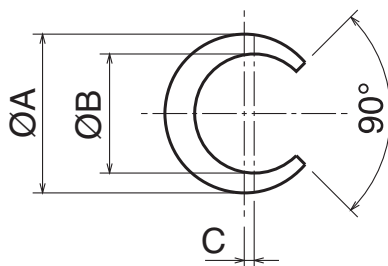
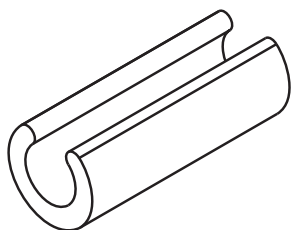
**Guida laterale / Side guide rail / Seitenführung**



Part	Article-Nr.	L	For plate	Colour
186	18604C	3 m	50x6	grey
186	18604	6 m	50x6	grey
186	18600BC	3 m	50x6	<b>BluLub</b>
186	18600B	6 m	50x6	<b>BluLub</b>



- RED = STOCK ITEM
- BLACK = ON REQUEST



**Material:**

Polyethylene UHMW-PE with molecular density 9,200,000 g/mol

**BluLub** new material with reduced coefficient of friction and higher wear resistance.

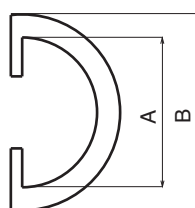
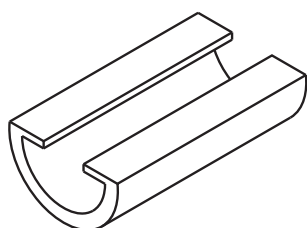
**BluLub** complies with the code of Federal Regulations of FDA.

Linear expansion coefficient:  $1.1 \times 10^{-4} \text{ } ^\circ\text{F}^{-1}$  ( $2 \times 10^{-4} \text{ } ^\circ\text{C}^{-1}$ )

Operating temperature: -40 to 176°F (-40 to +80°C)

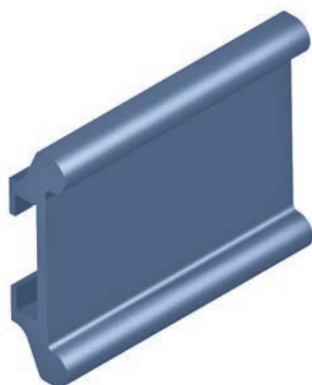
**Profilo per tondini / Round profile for steel rods / Clip-on Profil für Rundmaterial**

Part	Article-Nr.	A	B	C	Colour
166	16601	8	12	0.5	white
166	16602	10	14	0.5	white
166	16603	12	16	1	white
166	16604	16	20	1.5	white



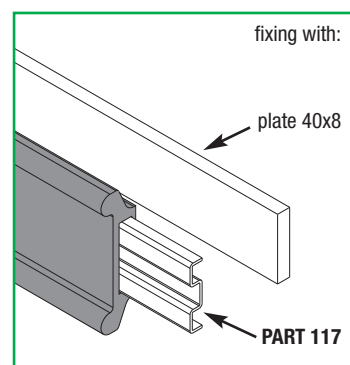
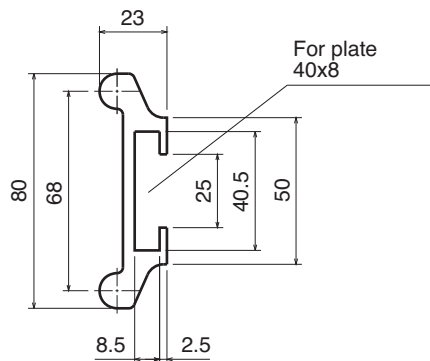
**Profilo per mezzitondi / Half round profile for steel rods / Halbmond Profil**

Part	Article-Nr.	L	A	B	Colour
1039	103923C	3 m	16	20	white
1039	103923	6 m	16	20	white
1039	103923-30	30 m	16	20	white



**Guida laterale / Side guide rail / Seitenführung**

Part	Article-Nr.	L	Colour
183	18301C	3 m	black
183	18301	6 m	black
183	18301BC	3 m	<b>BluLub</b>
183	18301B	6 m	<b>BluLub</b>





Materiale:	Material:	Materialien:
Poliamide rinforzato	Reinforced polyamide	Verstärktes Polyamid

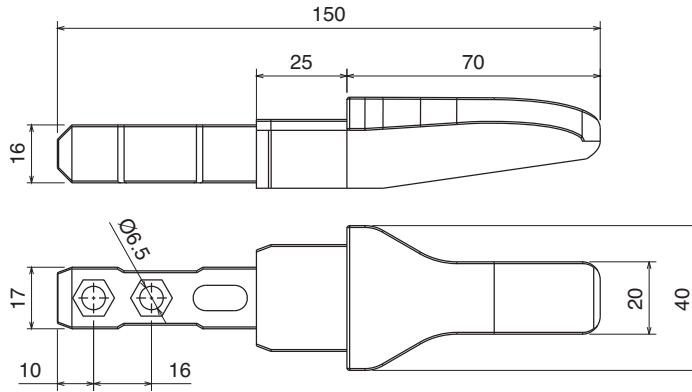
**Pattino guida catena, centrale / Central wear strip shoe / Zentraler Einlaufschuh**



Part	Article-Nr.	Colour
113	11301	black



SENZA NERVATURA  
WITHOUT NOSE  
OHNE NASE



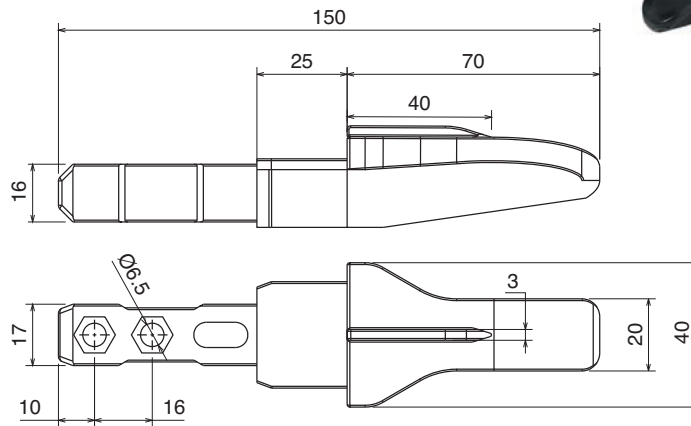
**Pattino guida catena, centrale / Central wear strip shoe / Zentraler Einlaufschuh**



Part	Article-Nr.	Colour
113	11302	black



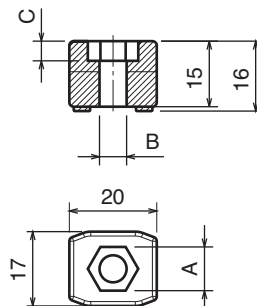
CON NERVATURA  
WITH NOSE  
MIT NASE



**Blocchetto fissaggio / Fixing clamp / Fixierblock**



Part	Article-Nr.	A	B	C	Colour
114	11401	10	6.2	4.5	black
114	11402	13	8.2	6	black



Materiale:	Material:	Materialien:
Poliamide rinforzato	Reinforced polyamide	Verstärktes Polyamid

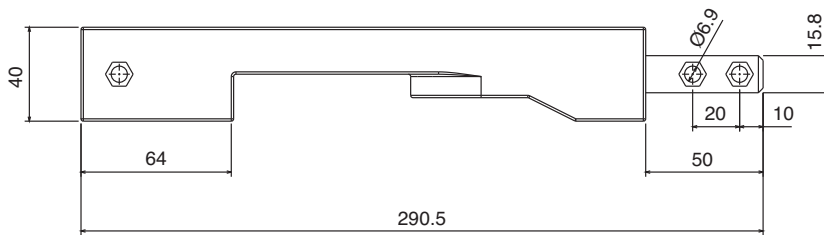
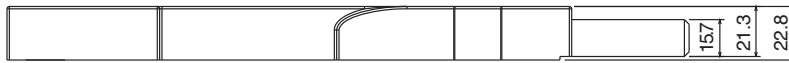


**Pattino guida catena, laterale / Side transfer guide shoe / seitlicher Tranferschuh**

Part	Article-Nr.	Colour
116	11601	black



Used with SS-profile  
Part 112  
pag. 176



LEFT VERSION

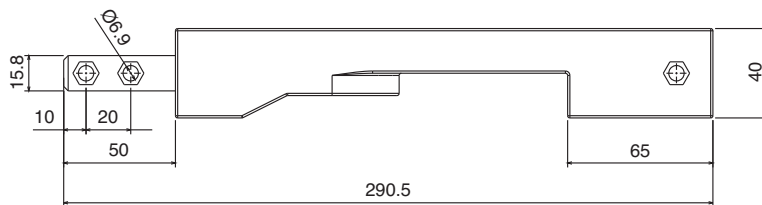


**Pattino guida catena, laterale / Side transfer guide shoe / seitlicher Tranferschuh**

Part	Article-Nr.	Colour
116	11602	black



Used with SS-profile  
Part 112  
pag. 176

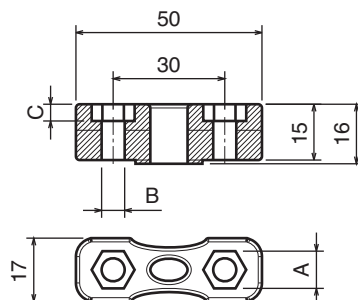


RIGHT VERSION



**Blocchetto giunzione / Connecting element / Verbindungselement**

Part	Article-Nr.	A	B	C	Colour
115	11501	10	6.2	4.5	black
115	11502	13	8.2	6	black



Used with SS-profile  
Part 112  
pag. 176

# return components

<p>219 - 040</p>  <p>pag. 210</p>	<p>201 - 050</p>  <p>pag. 210</p>	<p>202 - 060</p>  <p>pag. 210</p>	<p>220 - 047</p>  <p>pag. 211</p>	<p>203 - 057</p>  <p>pag. 211</p>	<p>204 - 067</p>  <p>pag. 211</p>
<p>222</p>  <p>pag. 212</p>	<p>224</p>  <p>pag. 212</p>	<p>226</p>  <p>pag. 212</p>	<p>223</p>  <p>pag. 213</p>	<p>225</p>  <p>pag. 213</p>	<p>227</p>  <p>pag. 213</p>
<p>208</p>  <p>pag. 214</p>	<p>209</p>  <p>pag. 214</p>	<p>210</p>  <p>pag. 215</p>	<p>211</p>  <p>pag. 215</p>	<p>207</p>  <p>pag. 216</p>	<p>213</p>  <p>pag. 216</p>
<p>221</p>  <p>pag. 217</p>	<p>215</p>  <p>pag. 217</p>	<p>217</p>  <p>pag. 217</p>			



Materiale:	Material:	Materialien:
Polietilene (PE)	Polyethylene (PE)	Polyäthylen (PE)

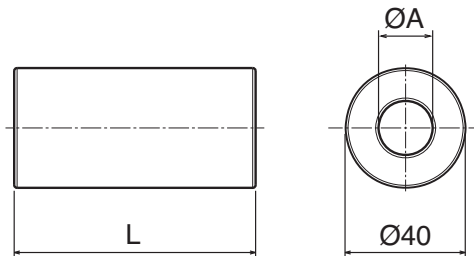
**Tenuta stagna**  
**Watertight**  
**Wasserdicht**



**Rullini di ritorno D=40 mm / Return roller D=40 mm / Rückführrolle D=40 mm**

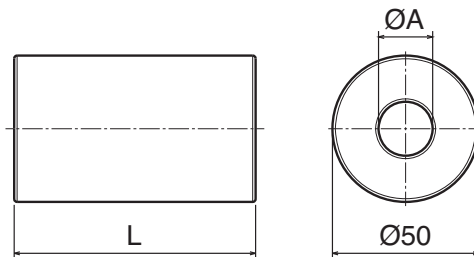
Part	Article-Nr.	L	ØA
219	21901	82,5	16
219	21902	82,5	18
219	21903	82,5	20
219	21951	41	16
219	21952	41	18
219	21953	41	20

**Range extension**



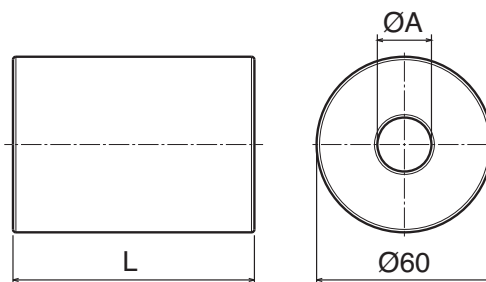
**Rullini di ritorno D=50 mm / Return roller D=50 mm / Rückführrolle D=50 mm**

Part	Article-Nr.	L	ØA
201	20101	82,5	16
201	20102	82,5	18
201	20103	82,5	20
201	20151	41	16
201	20152	41	18
201	20153	41	20



**Rullini di ritorno D=60 mm / Return roller D=60 mm / Rückführrolle D=60 mm**

Part	Article-Nr.	L	ØA
202	20201	82,5	16
202	20202	82,5	18
202	20203	82,5	20
202	20251	41	16
202	20252	41	18
202	20253	41	20

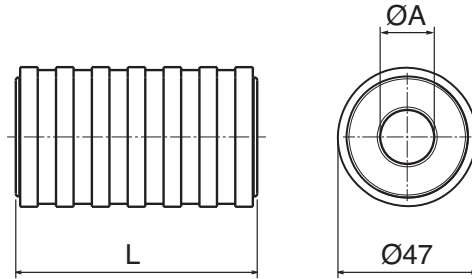


Materiale:	Material:	Materialien:
Rullino e flangia: PE	Roller and flange: PE	Rolle und Seitenscheibe: PE
Gomma: TPR	Rubber: TPR	Gummi: TPR

Tenuta stagna  
Watertight  
Wasserdicht

Rullini di ritorno gommati D=47 mm / Return roller with rubber D=47 mm / Rückführrolle gummiert D=47 mm

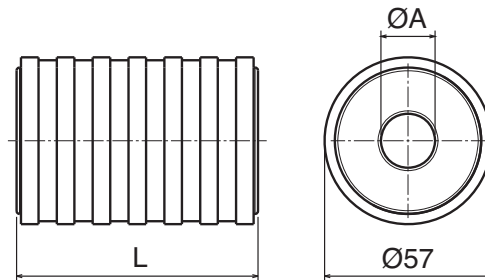
Part	Article-Nr.	L	ØA
220	22001	82,5	16
220	22002	82,5	18
220	22003	82,5	20
220	22051	41	16
220	22052	41	18
220	22053	41	20



Range extension

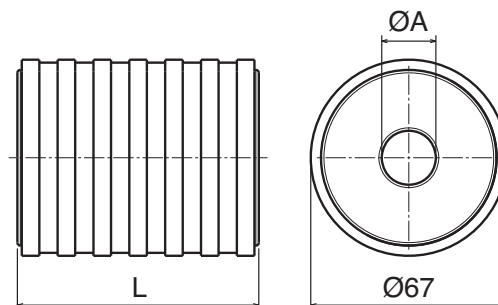
Rullini di ritorno gommati D=57 mm / Return roller with rubber D=57 mm / Rückführrolle gummiert D=57 mm

Part	Article-Nr.	L	ØA
203	20301	82,5	16
203	20302	82,5	18
203	20303	82,5	20
203	20351	41	16
203	20352	41	18
203	20353	41	20



Rullini di ritorno gommati D=67 mm / Return roller with rubber D=67 mm / Rückführrolle gummiert D=67 mm

Part	Article-Nr.	L	ØA
204	20401	82,5	16
204	20402	82,5	18
204	20403	82,5	20
204	20451	41	16
204	20452	41	18
204	20453	41	20



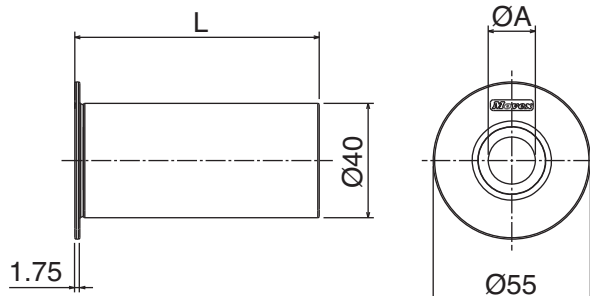
Materiale:	Material:	Materialien:
Polietilene (PE)	Polyethylene (PE)	Polyäthylen (PE)

**Tenuta stagna**  
**Watertight**  
**Wasserdicht**



Rullini di ritorno flangiati D=40 mm / Return roller with flange D=40 mm / Rückführrolle mit Seitenscheibe D=40 mm

Part	Article-Nr.	L	ØA
222	22201	85,5	16
222	22202	85,5	18
222	22203	85,5	20
222	22251	43	16
222	22252	43	18
222	22253	43	20

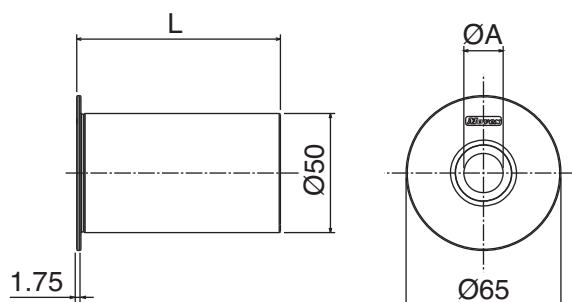


**Range extension**



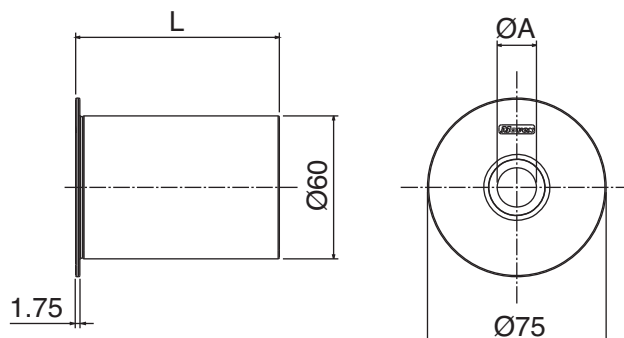
Rullini di ritorno flangiati D=50 mm / Return roller with flange D=50 mm / Rückführrolle mit Seitenscheibe D=50 mm

Part	Article-Nr.	L	ØA
224	22401	85,5	16
224	22402	85,5	18
224	22403	85,5	20
224	22451	43	16
224	22452	43	18
224	22453	43	20



Rullini di ritorno flangiati D=60 mm / Return roller with flange D=60 mm / Rückführrolle mit Seitenscheibe D=60 mm

Part	Article-Nr.	L	ØA
226	22601	85,5	16
226	22602	85,5	18
226	22603	85,5	20
226	22651	43	16
226	22652	43	18
226	22653	43	20

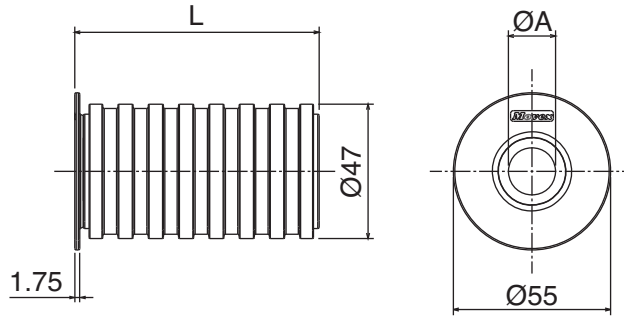


Materiale:	Material:	Materialien:
Rullino e flangia: PE	Roller and flange: PE	Rolle und Seitenscheibe: PE
Gomma: TPR	Rubber: TPR	Gummi: TPR

**Tenuta stagna**  
**Watertight**  
**Wasserdicht**

Rullini di ritorno flangiati gommati D=47 mm / Return roller with flange and rubber D=47 mm / Rückführrolle gummiert mit Seitenscheibe D=47 mm

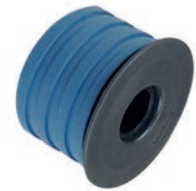
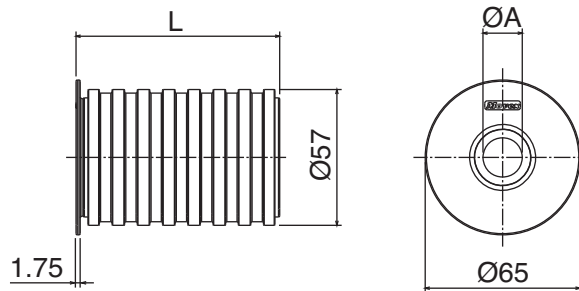
Part	Article-Nr.	L	ØA
223	22301	85,5	16
223	22302	85,5	18
223	22303	85,5	20
223	22351	43	16
223	22352	43	18
223	22353	43	20



**Range extension**

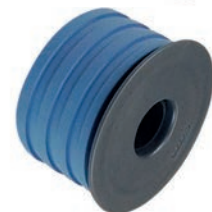
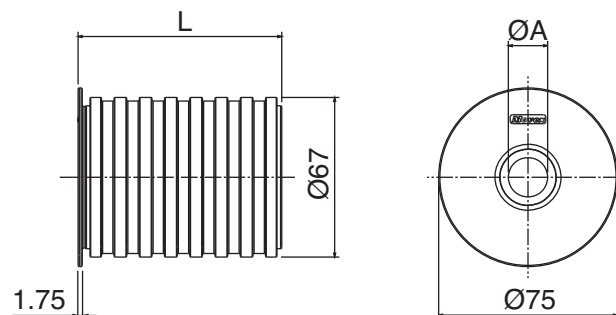
Rullini di ritorno flangiati gommati D=57 mm / Return roller with flange and rubber D=57 mm / Rückführrolle gummiert mit Seitenscheibe D=57 mm

Part	Article-Nr.	L	ØA
225	22501	85,5	16
225	22502	85,5	18
225	22503	85,5	20
225	22551	43	16
225	22552	43	18
225	22553	43	20

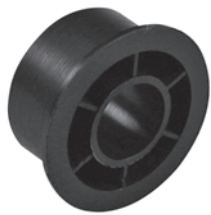


Rullini di ritorno flangiati gommati D=67 mm / Return roller with flange and rubber D=67 mm / Rückführrolle gummiert mit Seitenscheibe D=67 mm

Part	Article-Nr.	L	ØA
227	22701	85,5	16
227	22702	85,5	18
227	22703	85,5	20
227	22751	43	16
227	22752	43	18
227	22753	43	20

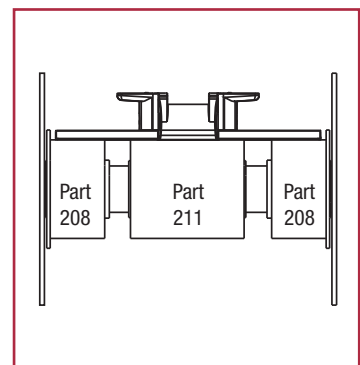
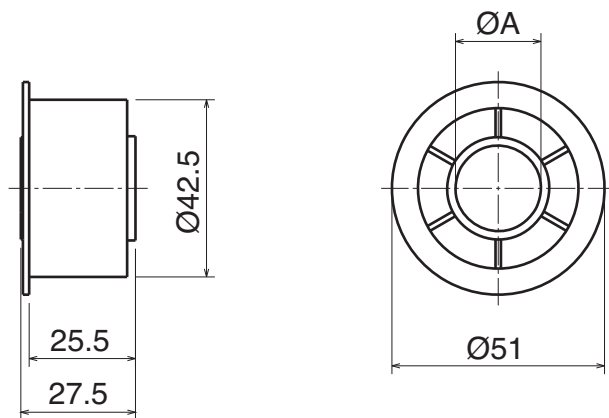


Materiale:	Material:	Materialien:
Polietilene (PE)	Polyethylene (PE)	Polyäthylen (PE)



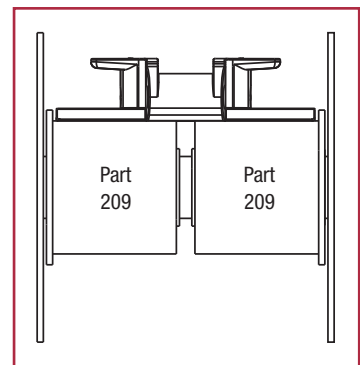
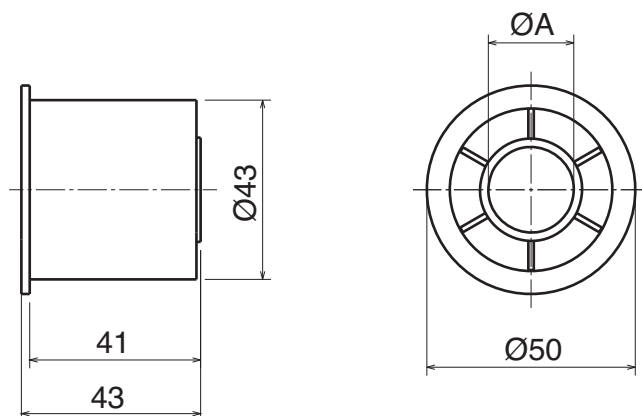
Rullini di ritorno flangiati D=42.5 mm / Return roller with flange D=42.5 mm / Rückführrolle mit Seitenscheibe D=42.5 mm

Part	Article-Nr.	ØA
208	20801	16
208	20802	18
208	20803	20



Rullini di ritorno flangiati D=42.5 mm / Return roller with flange D=42.5 mm / Rückführrolle mit Seitenscheibe D=42.5 mm

Part	Article-Nr.	ØA
209	20901	16
209	20902	18
209	20903	20



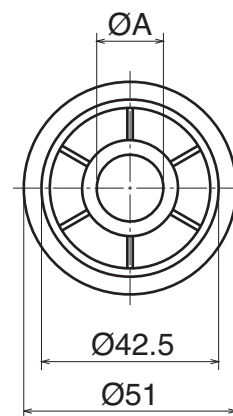
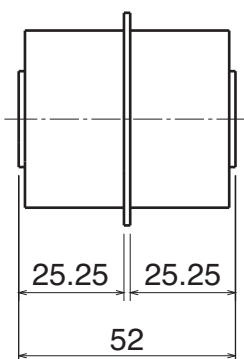
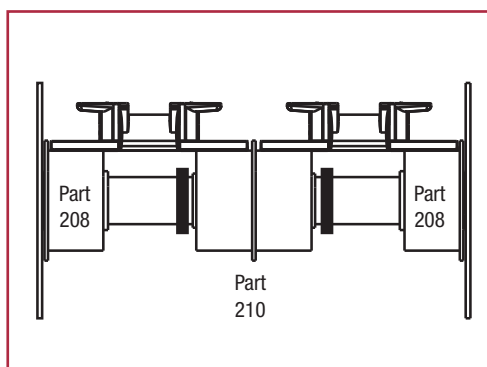


Materiale:	Material:	Materialien:
Polietilene (PE)	Polyethylene (PE)	Polyäthylen (PE)

Rullini doppio di ritorno / Double return roller / Doppel- Rücklaufrolle



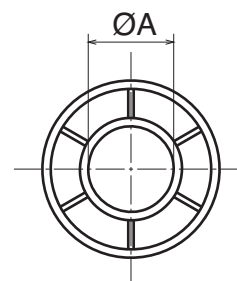
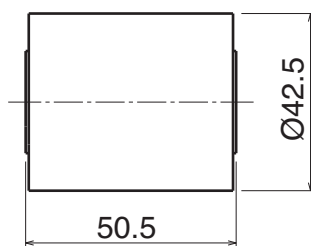
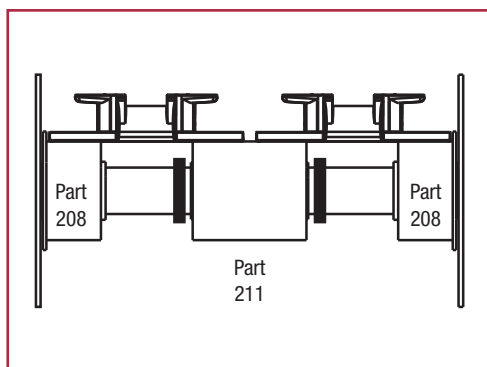
Part	Article-Nr.	ØA
210	21001	16
210	21002	18
210	21003	20



Rullini di ritorno D=43 mm / Return roller D=43 mm / Rückführrolle D=43 mm



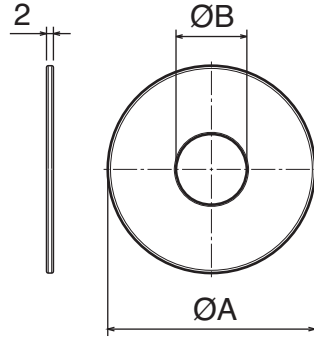
Part	Article-Nr.	ØA
211	21101	16
211	21102	18
211	21103	20



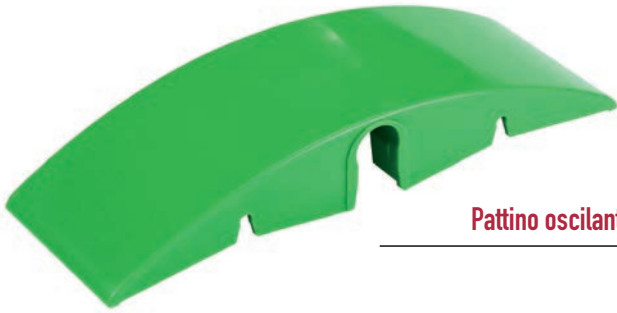
Materiale:	Material:	Materialien:
Polietilene (PE)	Polyethylene (PE)	Polyäthylen (PE)



### Flangia / Flange / Seitenscheibe

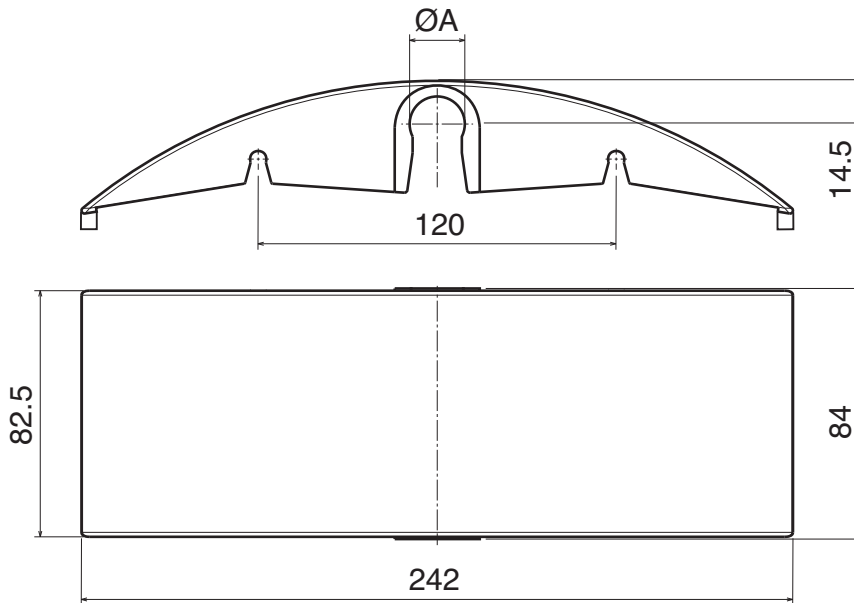


Part	Article-Nr.	ØA	ØB
207	20712	50	16
207	20713	50	18
207	20714	50	20
207	20701	60	16
207	20702	60	18
207	20703	60	20
207	20704	70	16
207	20705	70	18
207	20706	70	20
207	20707	80	16
207	20708	80	18
207	20709	80	20



### Pattino oscillante innesto rapido / Snap-on sliding shoe / Rücklaufschuh, aufsteckbar

Part	Article-Nr.	ØA
213	21301	16
213	21302	18
213	21303	20



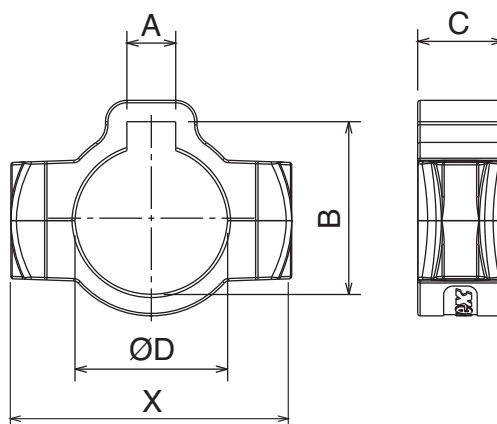
Materiale:	Material:	Materialien:
Pattino oscillante: PE	Sliding shoe: PE	Rücklaufschuh: PE
Collare di riferimento: PA	Split Collar: PA	Geteilter Stelling: PA
Viti e dadi:	Screws and nuts:	Schrauben und Mutter
Acciaio inox	Stainless steel	aus Edelstahl

### Collare di riferimento con chiavetta / Split collar with keyway / geteilter Stelling mit Nut

Part	Article-Nr.	A	B	C	ØD	X
221	22101	8	28.3	14	25	46
221	22102	8	33.3	16	30	51
221	22103	10	38.3	16	35	57
221	22104	12	43.3	18	40	64

Part	Article-Nr.	A	B	C	ØD	X
221	22101Y	6,85	28,3	14	1"	46
221	22102Y	6,85	34,7	16	1,25"	52
221	22104Y	10,025	42,4	18	1,5"	64

Max recommended tightening torque: 0,5 kg

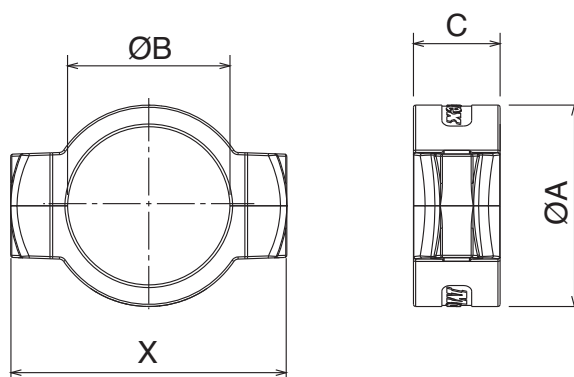


### Collare di riferimento / Split collar / geteilter Stelling

Part	Article-Nr.	ØA	ØB	C	X
215	21501	20	12	12	29.5
215	21502	22	14	12	31.5
215	21503	26	18	14	40
215	21504	28	20	14	40
215	21505	32	25	14	46
215	21506	38	30	16	51
215	21507	43	35	16	57
215	21508	48	40	18	64

Part	Article-Nr.	ØA	ØB	C	X
215	21501Y	20	0,5"	12	29,5
215	21503Y	26	0,75"	14	40
215	21505Y	32	1"	14	46
215	21506Y	38	1,25"	16	52
215	21508Y	48	1,5"	18	64

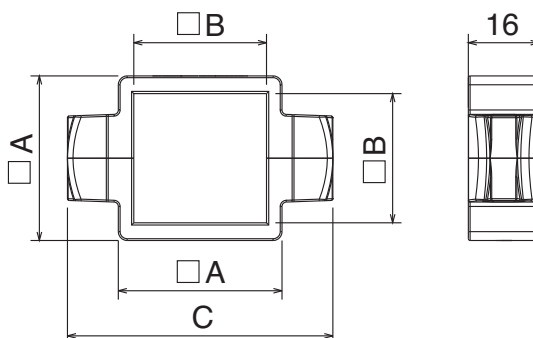
Max recommended tightening torque: 0,5 kg

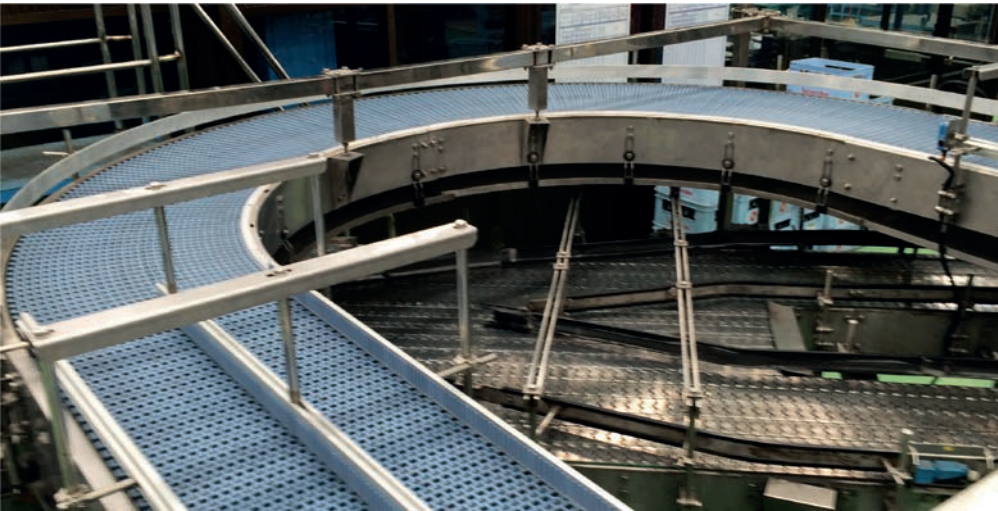
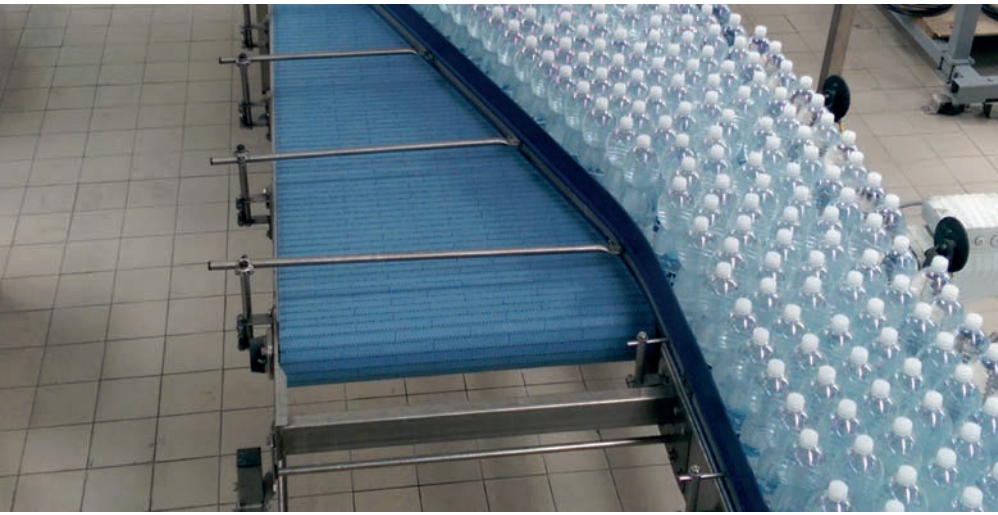


### Collare di riferimento / Split collar / geteilter Stelling

Part	Article-Nr.	A	□B	C
217	21701	33	25	55
217	21702	37	30	60
217	21703	47	40	70
217	21704	59	50	81
217	21705	69	60	92

Max recommended tightening torque: 0,5 kg





# conveyor components

 301 pag. 221	 302 pag. 221	 305 pag. 222	 306 pag. 222	 307 pag. 223	 308 pag. 223
 309 pag. 224	 310 pag. 224	 311 pag. 225	 312 pag. 225	 398 pag. 226	 398 pag. 226
 313 pag. 227	 314 pag. 227	 314 pag. 227	 315 pag. 228	 316 pag. 228	 317 pag. 229
 317 pag. 229	 318 pag. 229	 319 pag. 230	 320 pag. 230	 321 pag. 231	 322 pag. 231
 323 pag. 231	 324 pag. 232	 325 pag. 232	 326 pag. 232	 327 pag. 232	 328 pag. 233
 329 pag. 233	 330 pag. 233	 390 pag. 233	 392 pag. 234	 393 pag. 234	 336 pag. 234



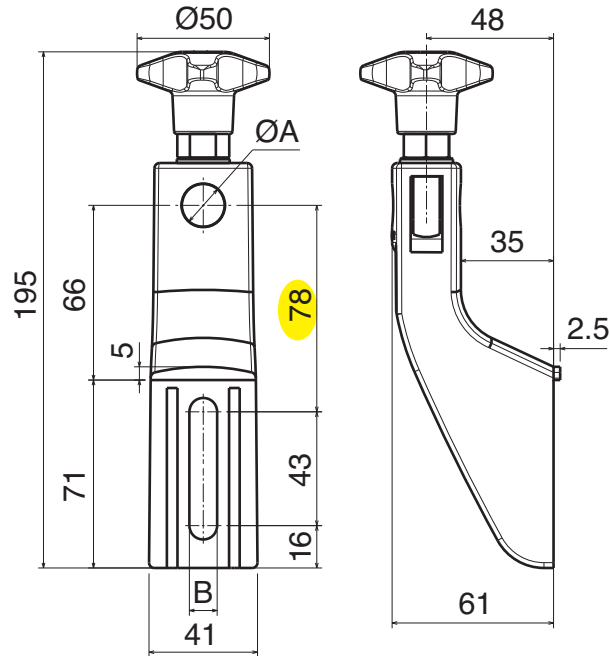
# conveyor components

<p><b>394</b></p>  <p>pag. 235</p>	<p><b>341</b></p>  <p>pag. 235</p>	<p><b>331</b></p>  <p>pag. 236</p>	<p><b>345</b></p>  <p>pag. 236</p>	<p><b>337</b></p>  <p>pag. 237</p>	<p><b>338</b></p>  <p>pag. 237</p>
<p><b>339</b></p>  <p>pag. 237</p>	<p><b>349</b></p>  <p>pag. 238</p>	<p><b>350</b></p>  <p>pag. 238</p>	<p><b>351</b></p>  <p>pag. 238</p>	<p><b>352</b></p>  <p>pag. 238</p>	<p><b>347</b></p>  <p>pag. 239</p>
<p><b>348</b></p>  <p>pag. 239</p>	<p><b>346</b></p>  <p>pag. 240</p>	<p><b>356</b></p>  <p>pag. 240</p>	<p><b>357</b></p>  <p>pag. 240</p>	<p><b>335</b></p>  <p>pag. 241</p>	<p><b>358</b></p>  <p>pag. 242</p>
<p><b>364</b></p>  <p>pag. 242</p>	<p><b>359</b></p>  <p>pag. 242</p>	<p><b>365</b></p>  <p>pag. 242</p>	<p><b>360</b></p>  <p>pag. 243</p>	<p><b>366</b></p>  <p>pag. 243</p>	<p><b>361</b></p>  <p>pag. 243</p>
<p><b>367</b></p>  <p>pag. 243</p>	<p><b>366</b></p>  <p>pag. 244</p>	<p><b>367</b></p>  <p>pag. 244</p>	<p><b>364</b></p>  <p>pag. 245</p>	<p><b>365</b></p>  <p>pag. 245</p>	<p><b>395</b></p>  <p>pag. 246</p>
<p><b>362</b></p>  <p>pag. 246</p>	<p><b>358</b></p>  <p>pag. 246</p>	<p><b>333</b></p>  <p>pag. 246</p>	<p><b>353</b></p>  <p>pag. 247</p>	<p><b>354</b></p>  <p>pag. 247</p>	<p><b>355</b></p>  <p>pag. 247</p>
<p><b>363</b></p>  <p>pag. 248</p>	<p><b>396</b></p>  <p>pag. 249</p>	<p><b>368</b></p>  <p>pag. 250</p>	<p><b>369</b></p>  <p>pag. 250</p>	<p><b>370</b></p>  <p>pag. 251</p>	<p><b>371</b></p>  <p>pag. 251</p>
<p><b>372</b></p>  <p>pag. 252</p>	<p><b>373</b></p>  <p>pag. 252</p>	<p><b>383</b></p>  <p>pag. 253</p>	<p><b>384</b></p>  <p>pag. 253</p>	<p><b>385</b></p>  <p>pag. 254</p>	<p><b>386</b></p>  <p>pag. 254</p>
<p><b>397</b></p>  <p>pag. 254</p>	<p><b>374</b></p>  <p>pag. 255</p>	<p><b>375</b></p>  <p>pag. 255</p>	<p><b>377</b></p>  <p>pag. 256</p>	<p><b>378</b></p>  <p>pag. 256</p>	<p><b>379</b></p>  <p>pag. 257</p>
<p><b>380</b></p>  <p>pag. 257</p>	<p><b>381</b></p>  <p>pag. 258</p>	<p><b>382</b></p>  <p>pag. 258</p>	<p><b>376</b></p>  <p>pag. 259</p>	<p><b>376</b></p>  <p>pag. 259</p>	<p><b>376</b></p>  <p>pag. 259</p>
<p><b>391</b></p>  <p>pag. 260</p>	<p><b>387</b></p>  <p>pag. 261</p>	<p><b>388</b></p>  <p>pag. 261</p>			

Materiale:	Material:	Materialien:
Supporto: PA	Support: PA	Halter: PA
Volantino: PA + ottone nichelato	Knob: PA + nickel plated brass	Sterngriff: PA + Messing vernickelt
Tirante: Acciaio inox	Eyebolt: Stainless steel	Augenschraube: Edelstahl

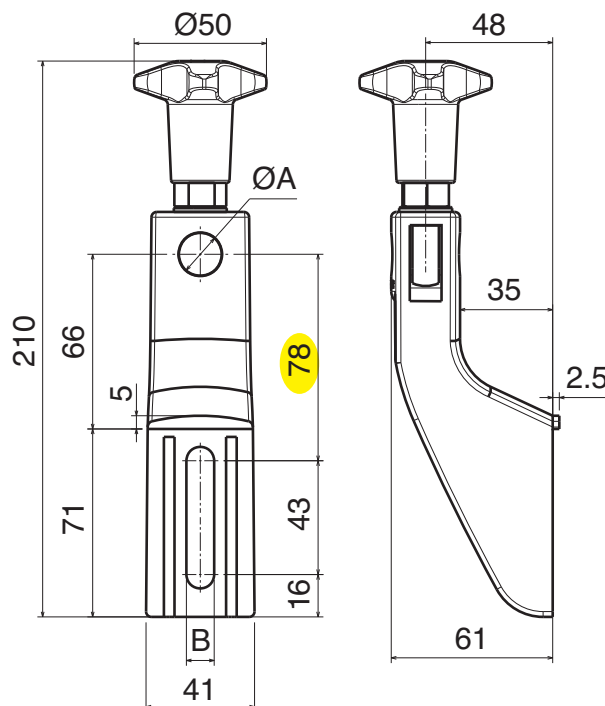
Supporto laterale -piccolo- / Side bracket -small- / Geländerhalter -klein-

Part	Article-Nr.	ØA	B
301	30101	12	9
301	30105	14	9
301	30102	16	9
301	30103	12	10,5
301	30106	14	10,5
301	30104	16	10,5



Supporto laterale -piccolo-, volantino alto / Side bracket -small- high knob / Geländerhalter -klein- hoher Sterngriff

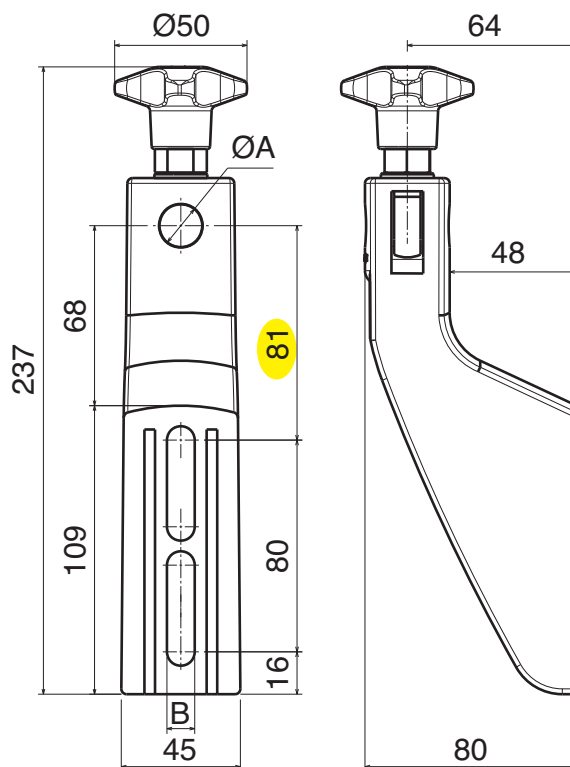
Part	Article-Nr.	ØA	B
302	30201	12	9
302	30205	14	9
302	30202	16	9
302	30203	12	10,5
302	30206	14	10,5
302	30204	16	10,5





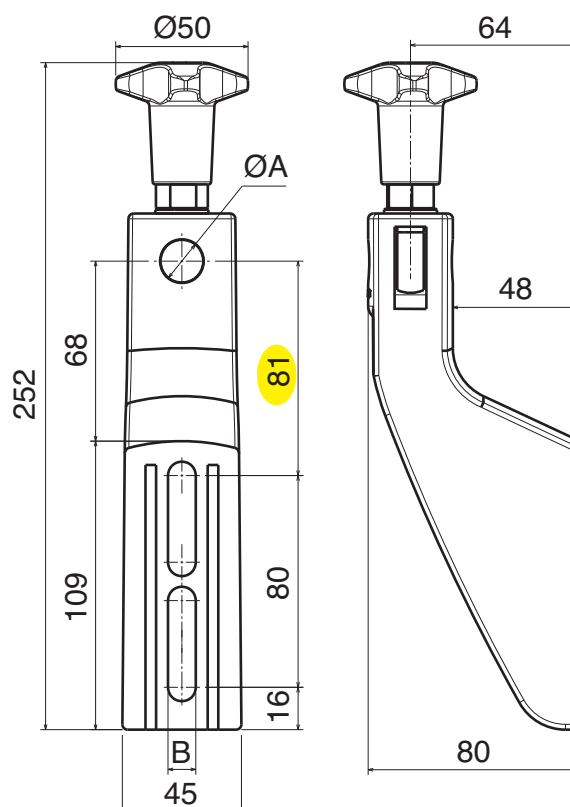
Materiale:	Material:	Materialien:
Supporto: PA	Support: PA	Halter: PA
Volantino: PA + ottone nichelato	Knob: PA + nickel plated brass	Sterngriff: PA + Messing vernickelt
Tirante: Acciaio inox	Eyebolt: Stainless steel	Augenschraube: Edelstahl

### Supporto laterale -medio- / Side bracket -medium- / Geländerhalter -medium-



Part	Article-Nr.	ØA	B
305	30501	12	9
305	30505	14	9
305	30502	16	9
305	30503	12	10,5
305	30506	14	10,5
305	30504	16	10,5

### Supporto laterale -medio-, volantino alto / Side bracket -medium-, high knob / Geländerhalter -medium-, hoher Sterngriff



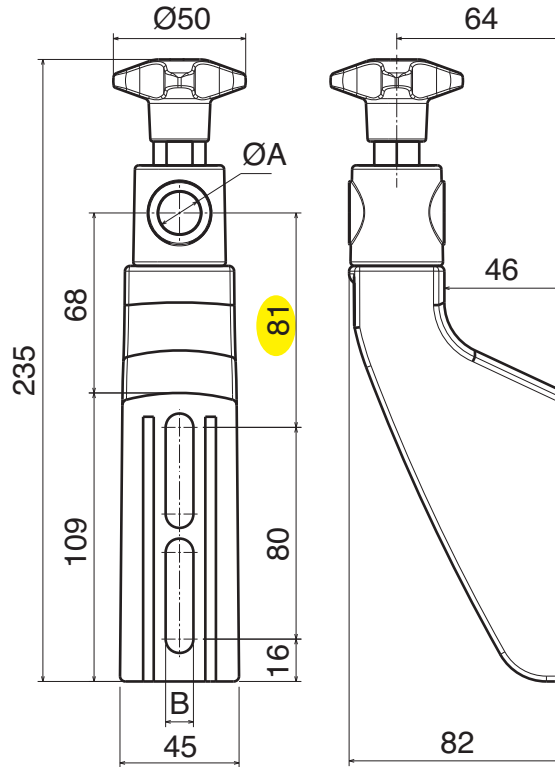
Part	Article-Nr.	ØA	B
306	30601	12	9
306	30605	14	9
306	30602	16	9
306	30603	12	10,5
306	30606	14	10,5
306	30604	16	10,5



Materiale:	Material:	Materialien:
Supporto: PA	Support: PA	Halter: PA
Volantino: PA + ottone nichelato	Knob: PA + nickel plated brass	Sterngriff: PA + Messing vernickelt
Tirante: Acciaio inox	Eyebolt: Stainless steel	Augenschraube: Edelstahl
Testina: PA o Acciaio inox	Heads: PA or stainless steel	Schwenkopf: PA oder Edelstahl
Vite, rondella e dado: Acciaio inox	Screw, washers and nut: Stainless steel	Schraube, Unterlegs und Mutter: Edelstahl

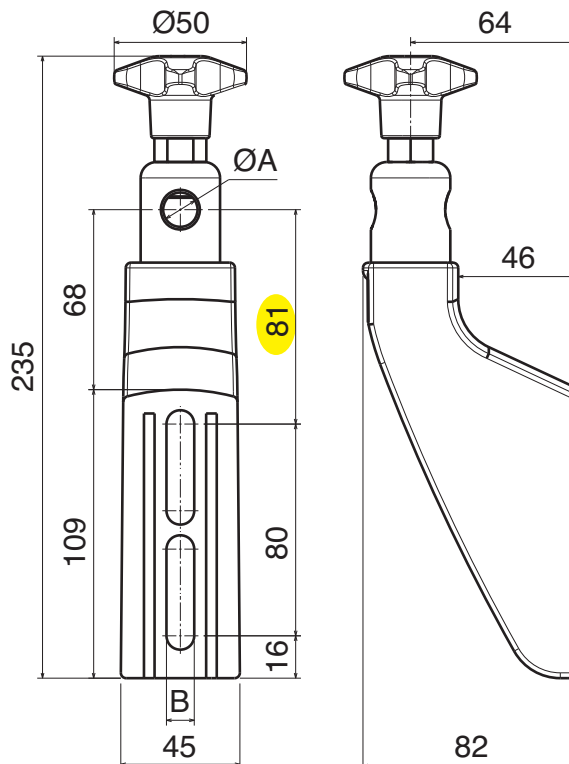
Supporto laterale -medio-, orientabile / Side bracket -medium-, adjustable / Geländerhalter -medium-, einstellbar

Part	Article-Nr.	ØA	B
307	30701	12	9
307	30705	14	9
307	30702	16	9
307	30703	12	10,5
307	30706	14	10,5
307	30704	16	10,5
307	30709	bracket	9
307	30710	bracket	10,5



Supporto laterale -medio-, orientabile INOX / Side bracket -medium-, adjustable SS / Geländerhalter -medium-, einstellbar Edelstahl

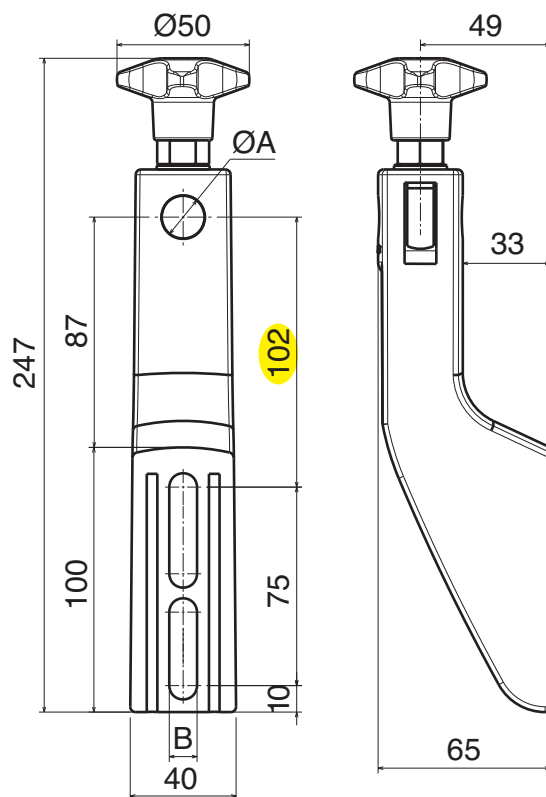
Part	Article-Nr.	ØA	B
308	30801	12	9
308	30805	14	9
308	30802	16	9
308	30803	12	10,5
308	30806	14	10,5
308	30804	16	10,5



Materiale:	Material:	Materialien:
Supporto: PA	Support: PA	Halter: PA
Volantino: PA + ottone nichelato	Knob: PA + nickel plated brass	Sterngriff: PA + Messing vernickelt
Tirante: Acciaio inox	Eyebolt: Stainless steel	Augenschraube: Edelstahl



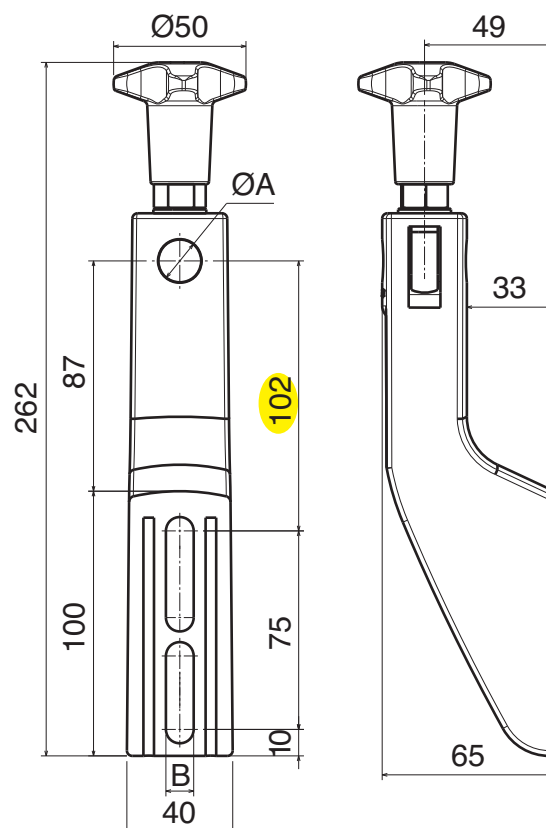
## Supporto laterale -grande- / Side bracket -large- / Geländerhalter -groß-



Part	Article-Nr.	ØA	B
309	30901	12	9
309	30905	14	9
309	30902	16	9
309	30903	12	10,5
309	30906	14	10,5
309	30904	16	10,5



## Supporto laterale -grande-, volantino alto / Side bracket -large-, high knob / Geländerhalter -groß-, hoher Sterngriff

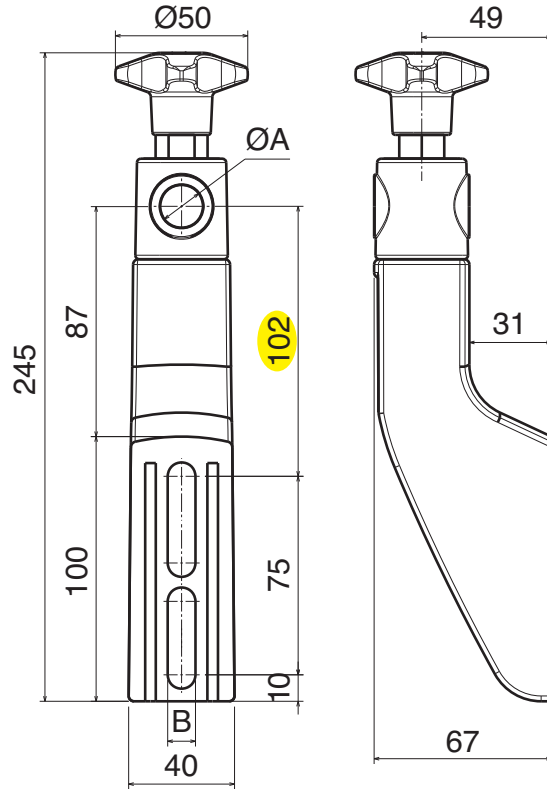


Part	Article-Nr.	ØA	B
310	31001	12	9
310	31005	14	9
310	31002	16	9
310	31003	12	10,5
310	31006	14	10,5
310	31004	16	10,5

Materiale:	Material:	Materialien:
Supporto: PA	Support: PA	Halter: PA
Volantino: PA + ottone nichelato	Knob: PA + nickel plated brass	Sterngriff: PA + Messing vernickelt
Tirante: Acciaio inox	Eyebolt: Stainless steel	Augenschraube: Edelstahl
Testina: PA o Acciaio inox	Heads: PA or stainless steel	Schwenkopf: PA oder Edelstahl
Vite, rondella e dado: Acciaio inox	Screw, washers and nut: Stainless steel	Schraube, Unterlegs und Mutter: Edelstahl

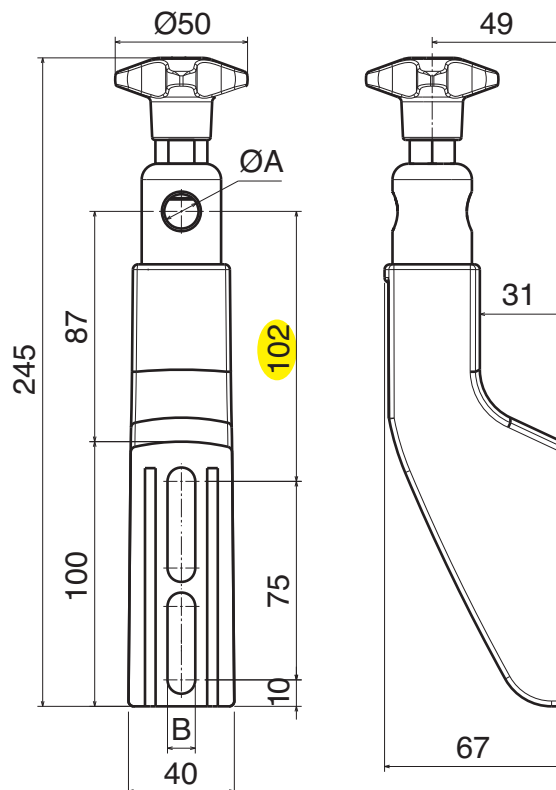
Supporto laterale -grande-, orientabile / Side bracket -large-, adjustable / Geländerhalter -groß-, einstellbar

Part	Article-Nr.	ØA	B
311	31101	12	9
311	31105	14	9
311	31102	16	9
311	31103	12	10,5
311	31106	14	10,5
311	31104	16	10,5
311	31109	bracket	9
311	31110	bracket	10,5



Supporto laterale -grande-, orientabile INOX / Side bracket -large-, adjustable SS / Geländerhalter -groß-, einstellbar Edelstahl

Part	Article-Nr.	ØA	B
312	31201	12	9
312	31205	14	9
312	31202	16	9
312	31203	12	10,5
312	31206	14	10,5
312	31204	16	10,5

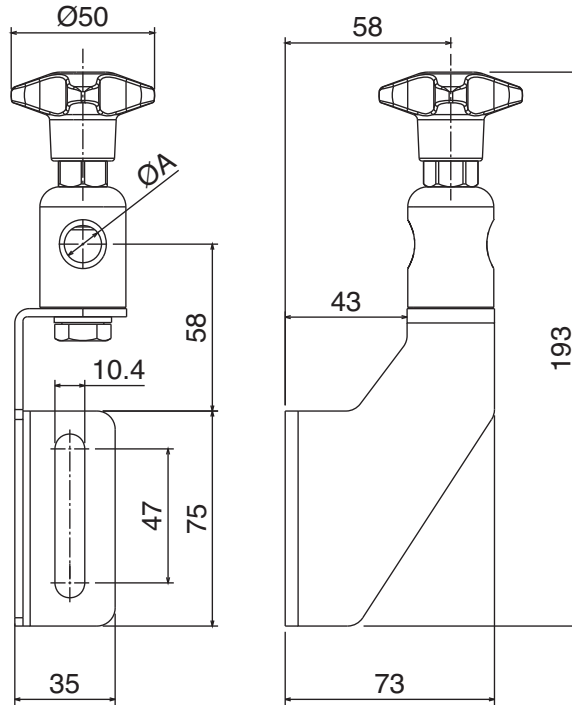


Materiale:	Material:	Materialien:
Supporto: PA	Support: PA	Halter: PA
Volantino: PA + ottone nichelato	Knob: PA + nickel plated brass	Sterngriff: PA + Messing vernickelt
Tirante: Acciaio inox	Eyebolt: Stainless steel	Augenschraube: Edelstahl



Stainless steel  
AISI 304

Supporto laterale inox -medio- orientabile / SS bracket -medium-, adjustable / Edelstahl Geländerhalter -medium-, einstellbar

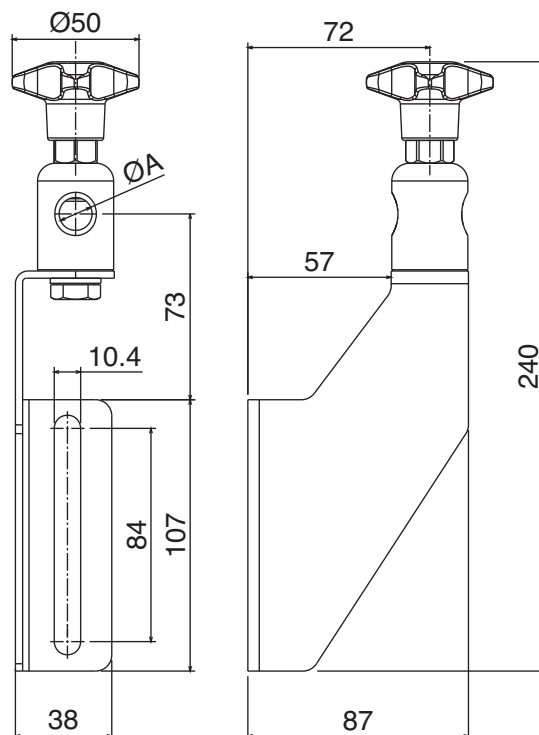


Part	Article-Nr.	ØA
398	39860	12
398	39862	14
398	39861	16



Stainless steel  
AISI 304

Supporto laterale inox -grande- orientabile / SS bracket -large-, adjustable / Edelstahl Geländerhalter -groß-, einstellbar

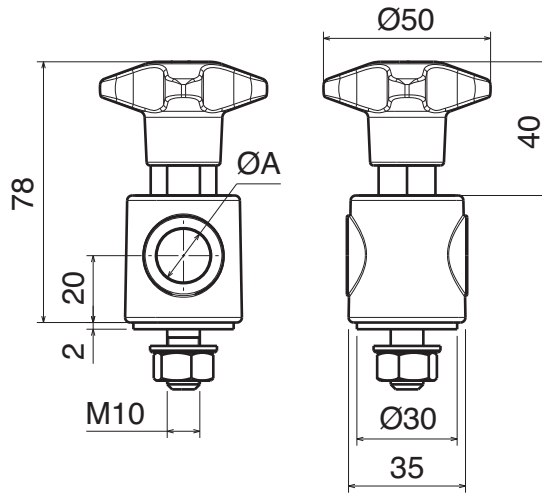
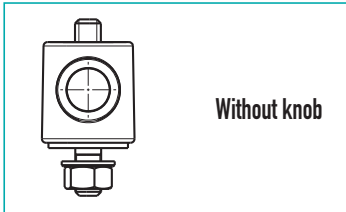


Part	Article-Nr.	ØA
398	39870	12
398	39872	14
398	39871	16

Materiale:	Material:	Materialien:
Volantino: PA + ottone nichelato	Knob: PA + nickel plated brass	Sterngriff: PA + Messing vernickelt
Tirante: Acciaio inox	Eyebolt: Stainless steel	Augenschraube: Edelstahl
Testina: PA o Acciaio inox	Heads: PA or stainless steel	Schwenkkopf: PA oder Edelstahl
Vite, rondella e dado: Acciaio inox	Screw, washers and nut: Stainless steel	Schraube, Unterlegs und Mutter: Edelstahl

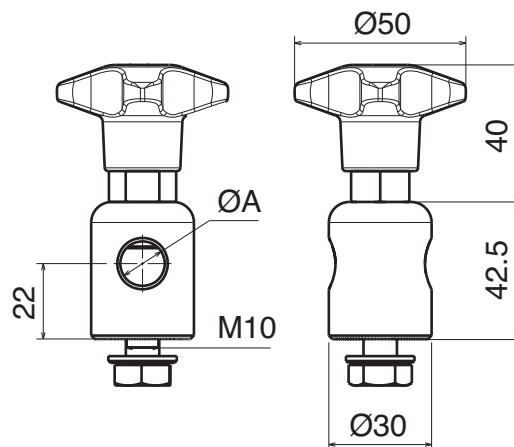
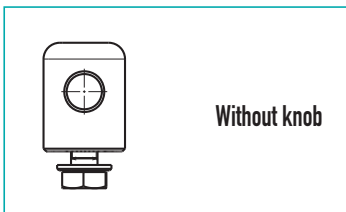
Testina orientabile / Adjustable head / Schwenkkopf

Part	Article-Nr.	ØA
313	31301	12
313	31303	14
313	31302	16
313	31311	12-without knob
313	31313	14-without knob
313	31312	16-without knob



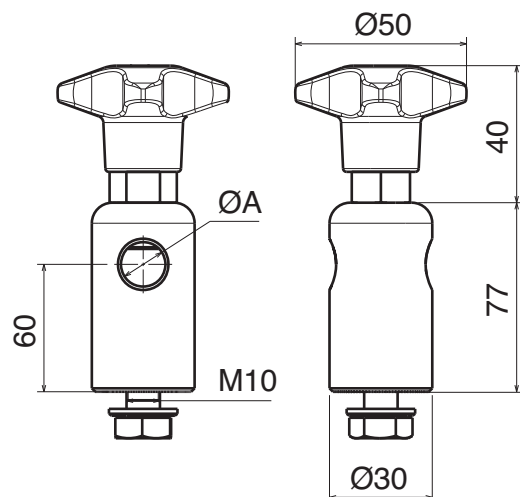
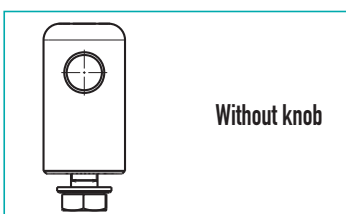
Testina orientabile, acciaio inox / Adjustable head, stainless steel / Schwenkkopf, Edelstahl

Part	Article-Nr.	ØA
314	31401	12
314	31403	14
314	31402	16
314	31411	12-without knob
314	31413	14-without knob
314	31412	16-without knob



Testina orientabile alta, acciaio inox / Adjustable head, stainless steel / Schwenkkopf, Edelstahl

Part	Article-Nr.	ØA
314	31409	12
314	31414	14
314	31410	16
314	31419	12-without knob
314	31421	14-without knob
314	31420	16-without knob



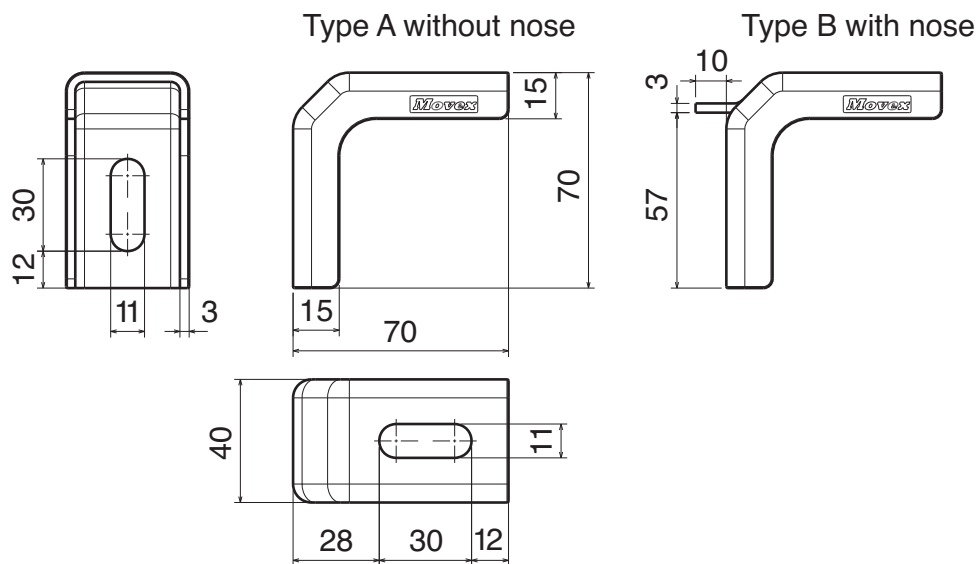
Materiale:	Material:	Materialien:
Acciaio inox	Stainless steel	Edelstahl



## Supporto laterale "L" / L-bracket / Winkel

Part	Article-Nr.	Type
315	31501	A
315	31502	B

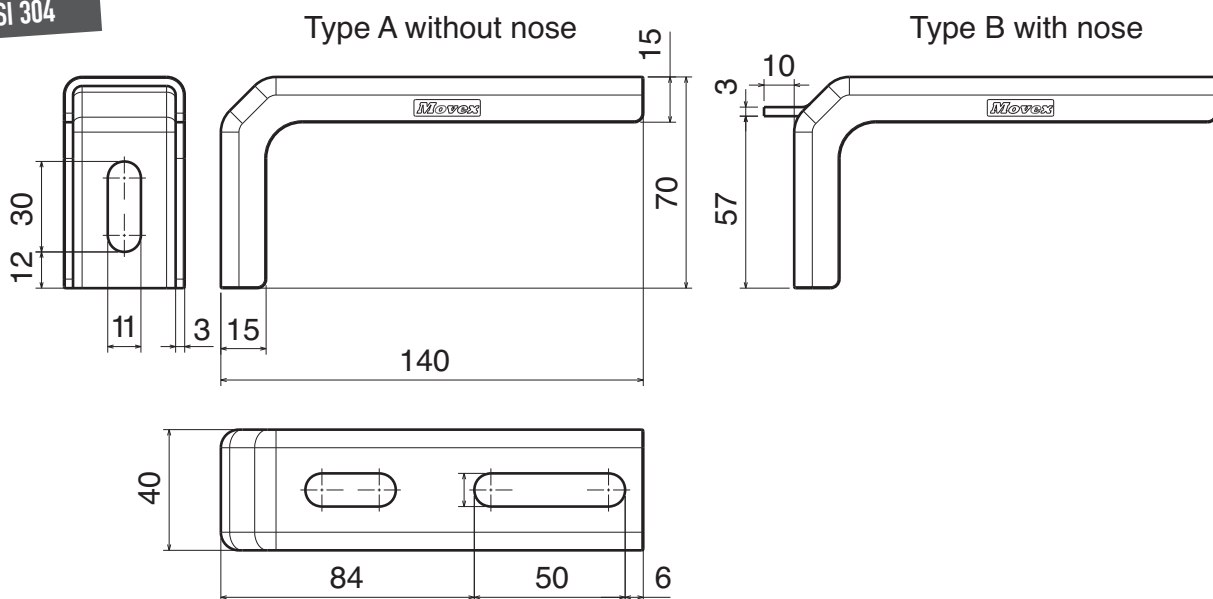
Stainless steel  
AISI 304



## Supporto laterale "L" / L-bracket / Winkel

Part	Article-Nr.	Type
316	31601	A
316	31602	B

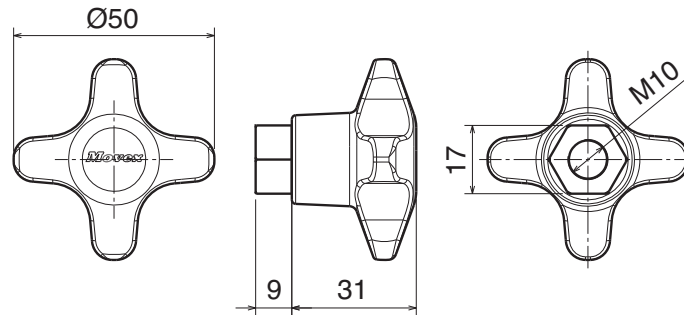
Stainless steel  
AISI 304



Materiale:	Material:	Materialien:
Poliammide + ottone nichelato	Polyamide + nickel plated brass	Polyamid + Messing vernickelt

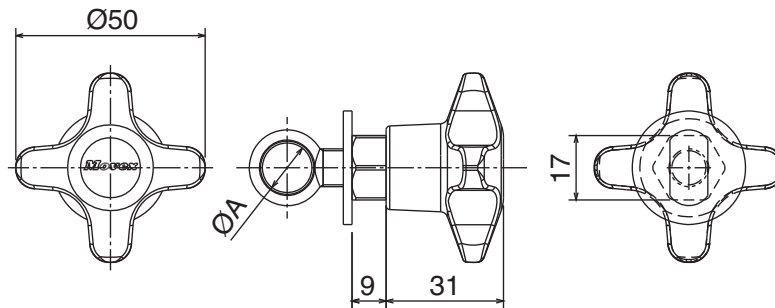
*Volantino / Star knob / Sterngriff*

Part	Article-Nr.
317	31701



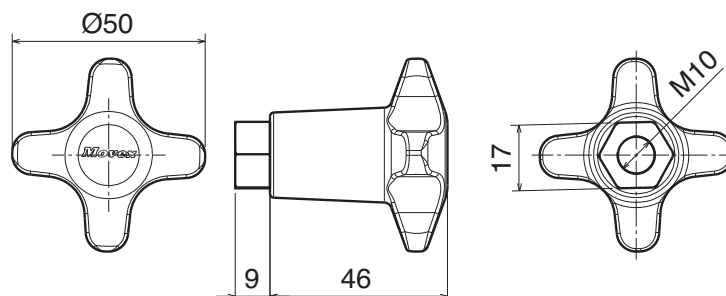
*Volantino con tirante / Star knob with eye-bolt / Sterngriff mit Augenschraube*

Part	Article-Nr.	ØA
317	31799	12
317	31797	14
317	31798	16



*Volantino / Star knob / Sterngriff*

Part	Article-Nr.
318	31801



# 319-320

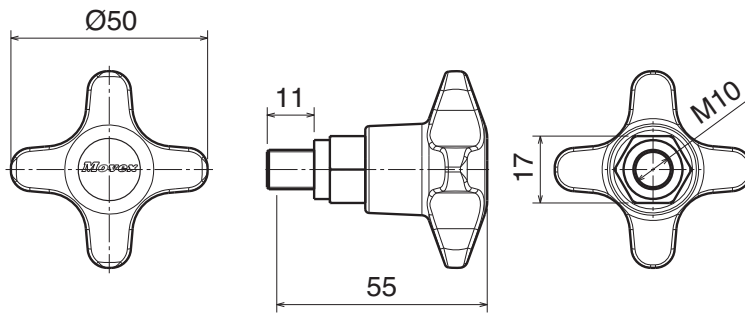
Volantini  
Star Knob  
Sterngriff

Materiale:	Material:	Materialien:
Poliamide + ottone nichelato	Polyamide + nickel plated brass	Polyamid + Messing vernickelt



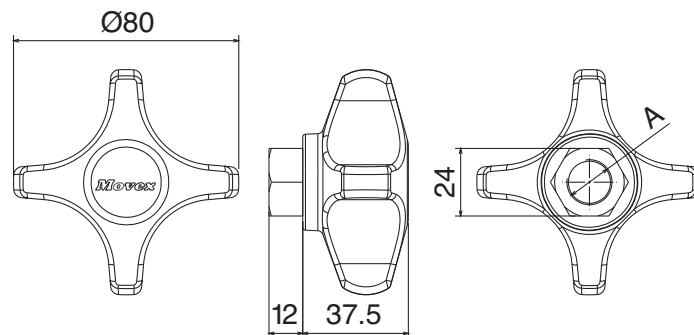
### Volantino / Star knob / Sterngriff

Part	Article-Nr.
319	31901



### Volantino Ø80 / Star knob Ø80 / Sterngriff Ø80

Part	Article-Nr.	A
320	32001	M12
320	32002	M16





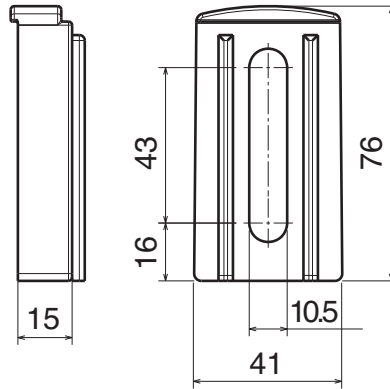
Materiale:	Material:	Materialien:
Poliammide	Polyamide	Polyamid

Distanziale per supporto -piccolo- / Spacer for bracket -small- / Distanzstück für Geländerhalter -klein-

Part Article-Nr.

321 32101

Use with bracket  
part. 301-302  
page 221

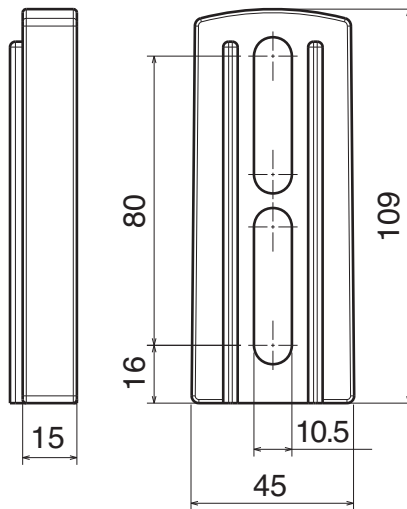


Distanziale per supporto -medio- / Spacer for bracket -medium- / Distanzstück für Geländerhalter -medium-

Part Article-Nr.

322 32201

Use with bracket  
part. 305-306  
307-308  
pages 222-223

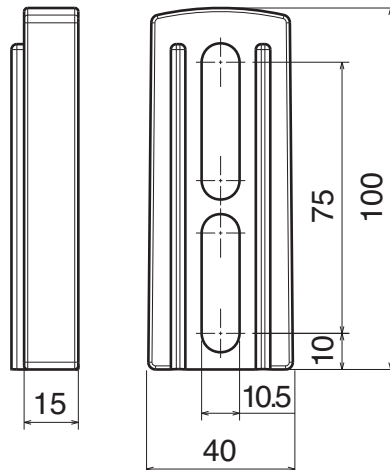


Distanziale per supporto -grande- / Spacer for bracket -large- / Distanzstück für Geländerhalter -groß-

Part Article-Nr.

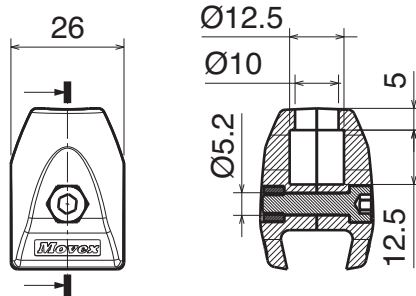
323 32301

Use with bracket  
part. 309-310  
311-312  
pages 224-225



Materiale:	Material:	Materialien:
Morsetti: PA	Clamp: PA	Klemme: PA
Vite, perno e rondella: Acciaio inox	Screw, pin and washer: Stainless steel	Schraube, Bolzen und Scheibe: Edelstahl
Dado: ottone nichelato	Nut: nickel plated brass	Mutter: Messing vernickelt

**Morsetto singolo per guida laterale conica / Single clamp for conical side guide / Einfachklemme für konische Seitenführung**

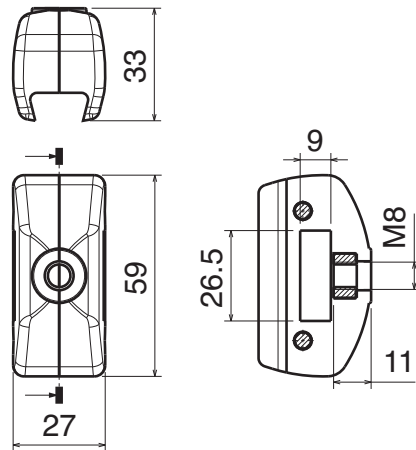


Part	Article-Nr.
324	32401

Consult pag 238  
for pin design



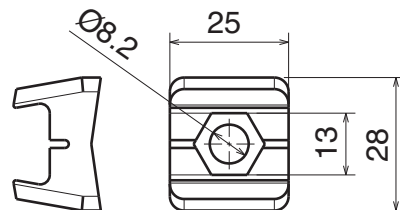
**Morsetto singolo per guida laterale conica / Single clamp for conical side guide / Einfachklemme für konische Seitenführung**



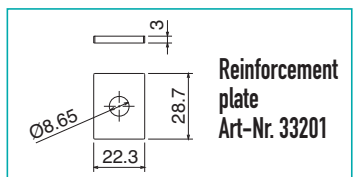
Part	Article-Nr.
325	32501



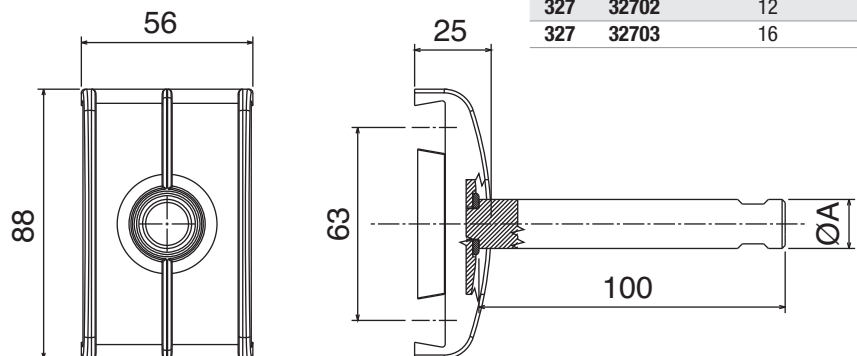
**Morsetto singolo per guida laterale conica / Single clamp for conical side guide / Einfachklemme für konische Seitenführung**



Part	Article-Nr.
326	32601



**Morsetto doppio per guida laterale conica / Double clamp for conical side guide / Doppelklemme für konische Seitenführung**

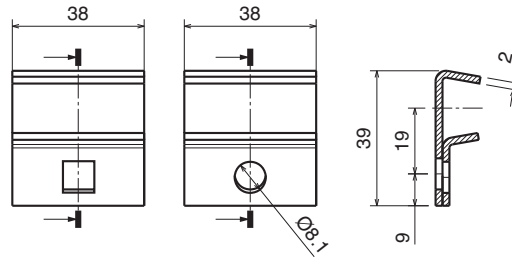


Part	Article-Nr.	ØA
327	32701	without pin
327	32702	12
327	32703	16

Materiale:	Material:	Materialien:
Acciaio inox	Stainless steel	Edelstahl

Morsetto singolo per guida laterale conica / Single clamp for conical side guide / Einfachklemme für konische Seitenführung

Part	Article-Nr.	Material	Type
328	32801	AISI 304	A
328	32802	AISI 304	B
328	32811	AISI 316	A



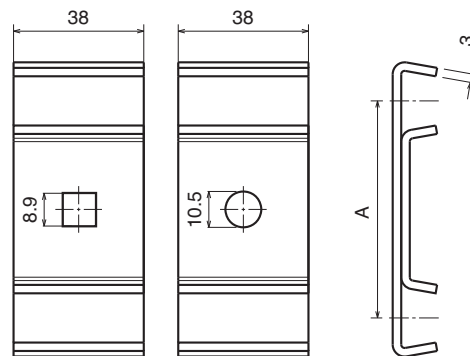
Type B

Type A



Morsetto doppio per guida laterale conica / Double clamp for conical side guide / Doppelklemme für konische Seitenführung

Part	Article-Nr.	A	Type
329	32901	63.5	A
329	32902	82.55	A
329	32903	95.25	A
329	32911	63.5	B
329	32912	82.55	B
329	32913	95.25	B



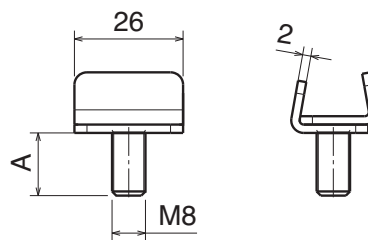
Type B

Type A



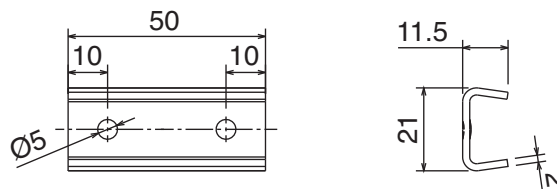
Morsetto singolo per guida laterale conica / Single clamp for conical side guide / Einfachklemme für konische Seitenführung

Part	Article-Nr.	A
330	33001	15
330	33002	25
330	33003	20
330	33004	30



Elemento di giunzione / Connecting element / Verbinder

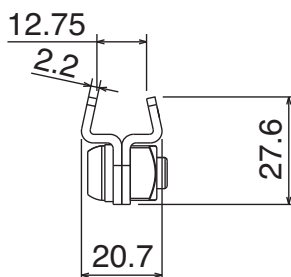
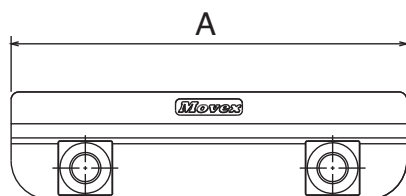
Part	Article-Nr.
390	39001



<b>Materiale:</b> Acciaio inox	<b>Material:</b> Stainless steel	<b>Materialien:</b> Edelstahl
<b>Materiale:</b> Morsetti: Resina acetica Vite, perno e dadi: Acciaio inox	<b>Material:</b> Clamp: Acetal resin Screw, pin and nut: Stainless steel	<b>Materialien:</b> Klemme: Azetal Schraube, Bolzen und Mutter: Edelstahl



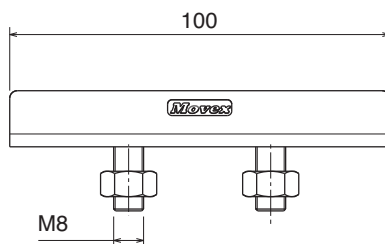
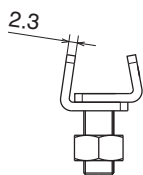
Elemento di connessione / Connecting clamp / Verbindungsklemme



Part	Article-Nr.	A
392	39201	75
392	39202	100
392	39203	150



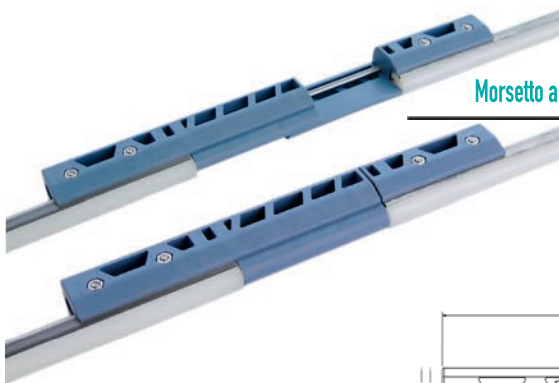
Elemento di connessione / Connecting clamp / Verbindungsklemme



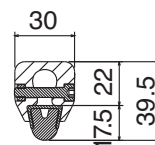
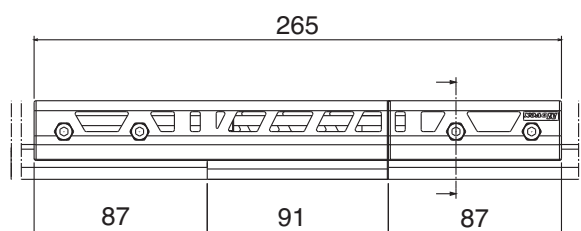
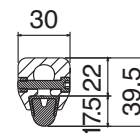
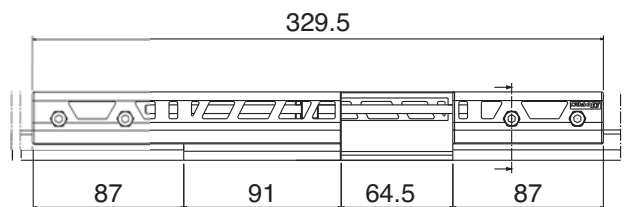
Part	Article-Nr.	A
393	39302	100

**New**

Morsetto aggiustabile guide coniche / Adjustable clamp for conical guide / verstellbare Klemme für konische Führungen



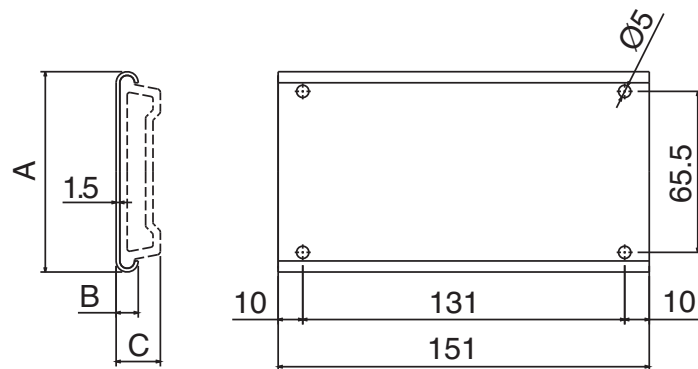
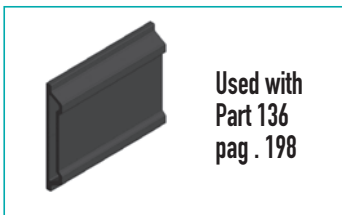
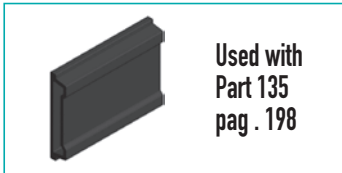
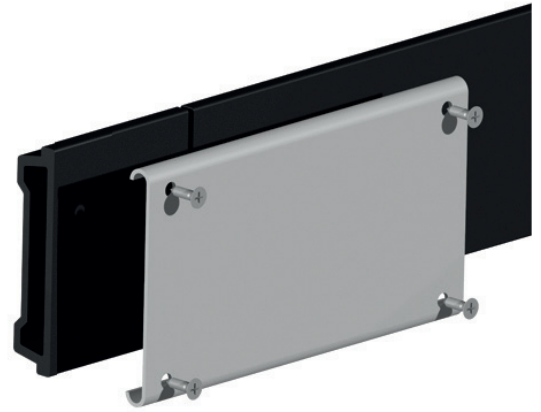
Part	Article-Nr.
336	33601



Materiale:	Material:	Materialien:
Acciaio inox	Stainless steel	Edelstahl
Materiale:	Material:	Materialien:
Morsetti: PA	Clamp: PA	Klemme: PA
Vite, perno e rondella:	Screw, pin and washer:	Schraube, Bolzen und Scheibe:
Acciaio inox	Stainless steel	Edelstahl
Dado: ottone nichelato	Nut: nickel plated brass	Mutter: Messing vernickelt

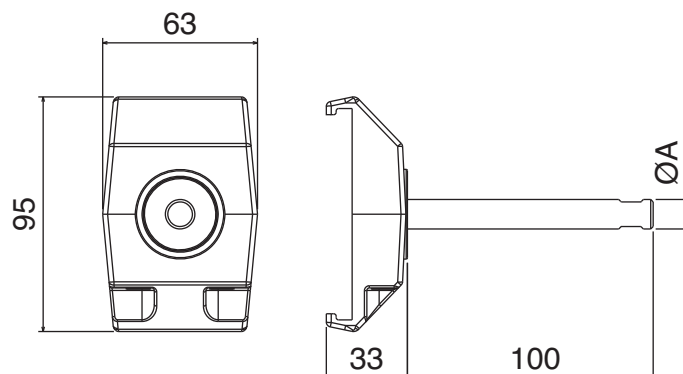
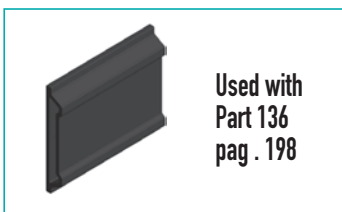
### Morsetto di giunzione / Joint clamp / Verbindungsplatte

Part	Article-Nr.	A	B	C	
394	39401	81,5	9	18	used with part 135
394	39402	90	8	17	used with part 136

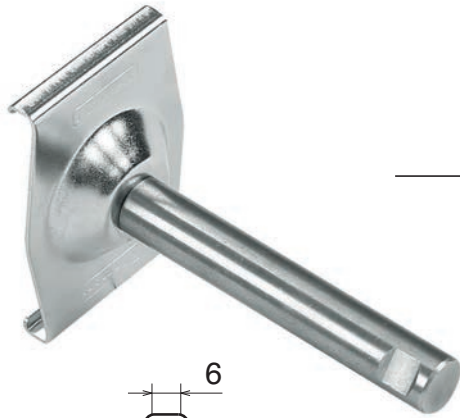


### Morsetto / Clamp / Klemme

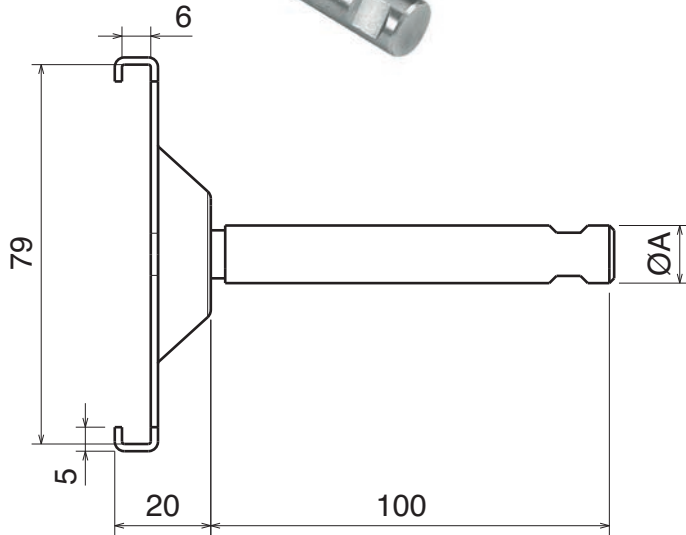
Part	Article-Nr.	ØA
341	34101	without pin
341	34102	12
341	34103	16



Materiale:	Material:	Materialien:
Morsetti: acciaio inox	Clamp: SS	Klemme: Edelstahl
Viti e perno: Acciaio inox	Screws and pin: Stainless steel	Schraube und Bolzen: Edelstahl
Dadi: ottone nichelato	Nuts: nickel plated brass	Mutter: Messing vernickelt



### Morsetto acciaio inox / Clamp, stainless steel / Klemme, Edelstahl



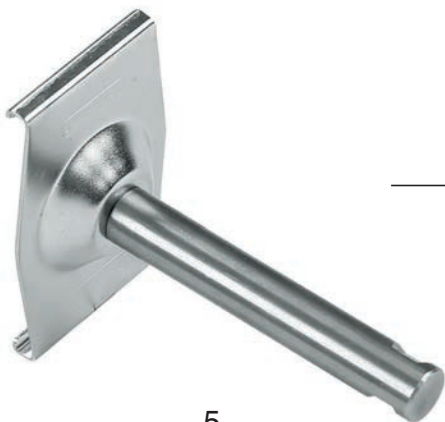
Part	Article-Nr.	ØA
331	33101	without pin
331	33102	12
331	33103	16



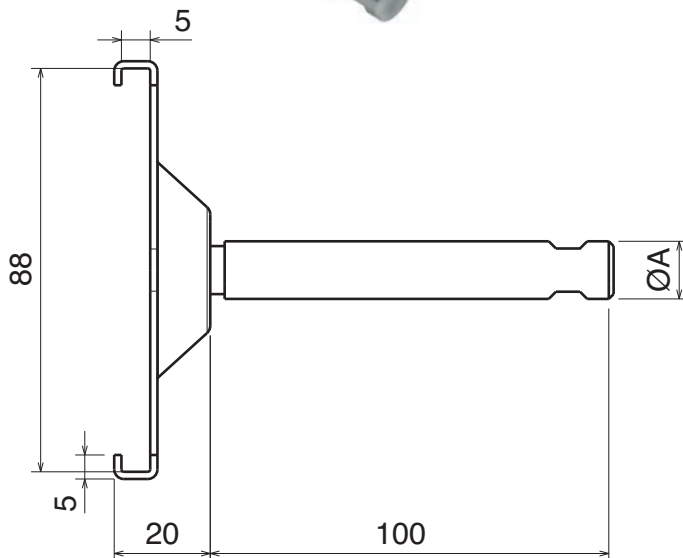
Used with  
Part 135 pag. 198



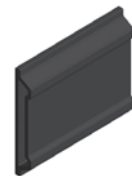
Used with  
Part 189 pag. 202  
Part 187 pag. 203  
Part 1056 pag. 204  
Part 1057 pag. 204



### Morsetto acciaio inox / Clamp, stainless steel / Klemme, Edelstahl



Part	Article-Nr.	ØA
345	34501	without pin
345	34502	12
345	34503	16



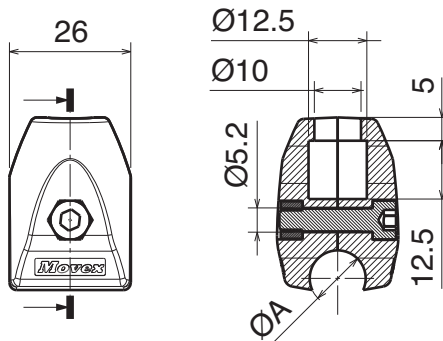
Used with  
Part 136  
pag. 198

Materiale:	Material:	Materialien:
Morsetti: PA	Clamp: PA	Klemme: PA
Vite, perno e rondella: Acciaio inox	Screw, pin and washer: Stainless steel	Schraube, Bolzen und Scheibe: Edelstahl
Dado: ottone nichelato	Nut: nickel plated brass	Mutter: Messing vernickelt

Morsetto singolo per tondino / Single clamp for round bar / Einfachklemme für Rund Profil

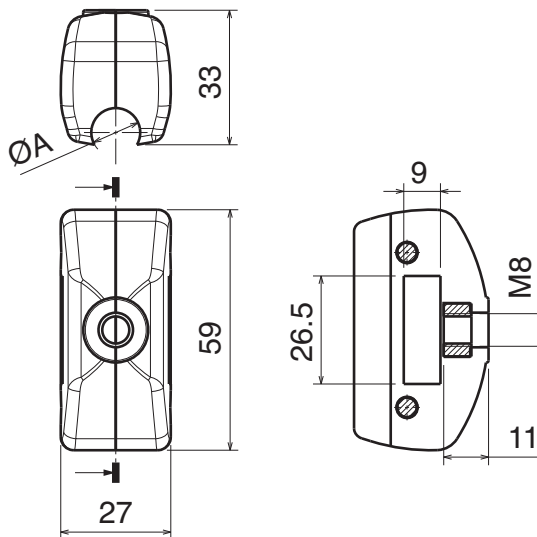
Part	Article-Nr.	ØA
337	33701	10
337	33702	12

Consult pag 238  
for pin design



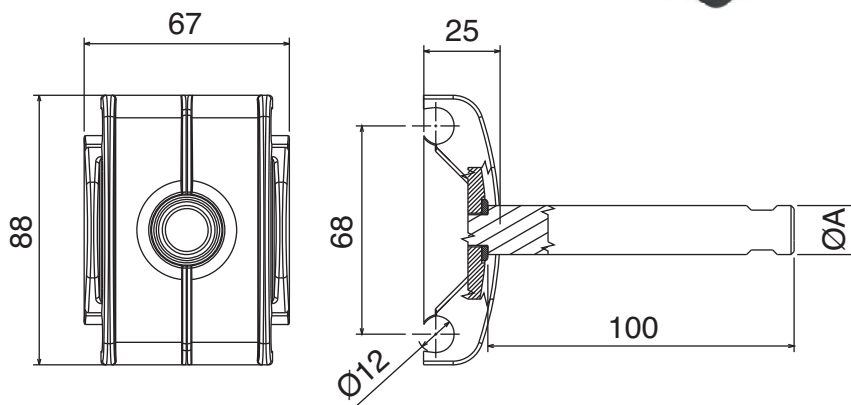
Morsetto singolo per tondino / Single clamp for round bar / Einfachklemme für Rund Profil

Part	Article-Nr.	ØA
338	33801	10
338	33802	12



Morsetto doppio per tondino / Double clamp for round bar / Doppelklemme für Rund Profil

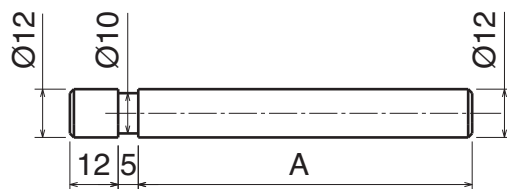
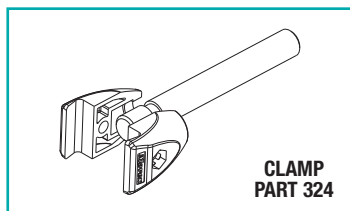
Part	Article-Nr.	ØA
339	33901	without pin
339	33902	12
339	33903	16



Materiale:	Material:	Materialien:
Acciaio inox	Stainless steel	Edelstahl



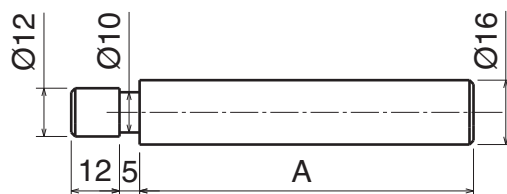
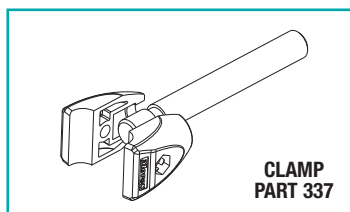
### Perno / Rod / Bolzen



Part	Article-Nr.	A
349	34901	80
349	34902	100
349	34903	150



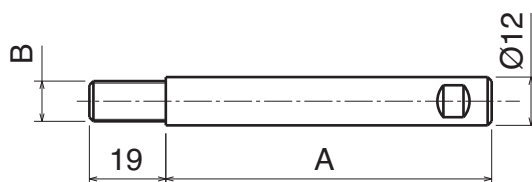
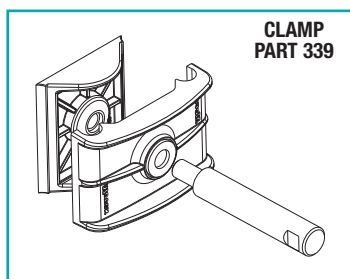
### Perno / Rod / Bolzen



Part	Article-Nr.	A
350	35001	80
350	35002	100
350	35003	150



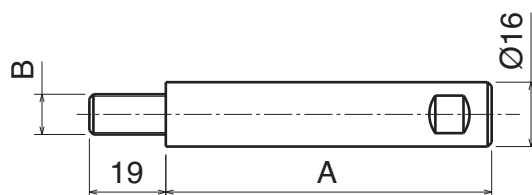
### Perno / Rod / Bolzen



Part	Article-Nr.	A	B
351	35101	80	M10
351	35102	100	M10
351	35103	150	M10
351	35151	80	M8
351	35152	100	M8
351	35153	150	M8



### Perno / Rod / Bolzen



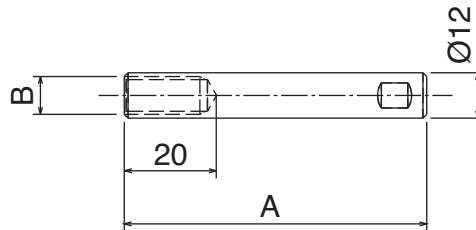
Part	Article-Nr.	A	B
352	35201	80	M10
352	35202	100	M10
352	35203	150	M10
352	35251	80	M8
352	35252	100	M8
352	35253	150	M8



Materiale:	Material:	Materialien:
Acciaio inox	Stainless steel	Edelstahl

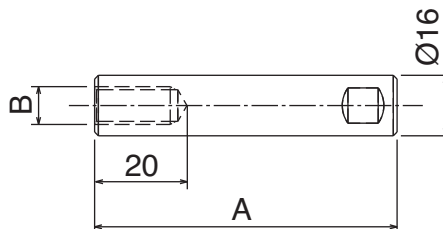
Perno filettato femmina / Rod / Bolzen

Part	Article-Nr.	A	B
347	34701	80	M10
347	34702	100	M10
347	34703	150	M10
347	34751	80	M8
347	34752	100	M8
347	34753	150	M8



Perno filettato femmina / Rod / Bolzen

Part	Article-Nr.	A	B
348	34801	80	M10
348	34802	100	M10
348	34803	150	M10
348	34851	80	M8
348	34852	100	M8
348	34853	150	M8

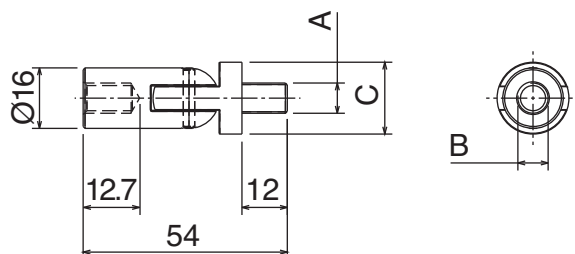


Materiale:	Material:	Materialien:
Acciaio inox	Stainless steel	Edelstahl



### Snodo / Joint rod adapter / Gelenk

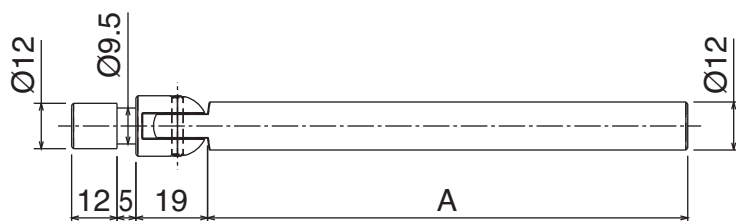
Part	Article-Nr.	A	B	C
346	34601	M8	M8	19
346	34602	M8	M10	19
346	34603	M10	M10	19
346	34699	M8	M8	16



### Perno snodato / Jointed rods / Gelenkbolzen

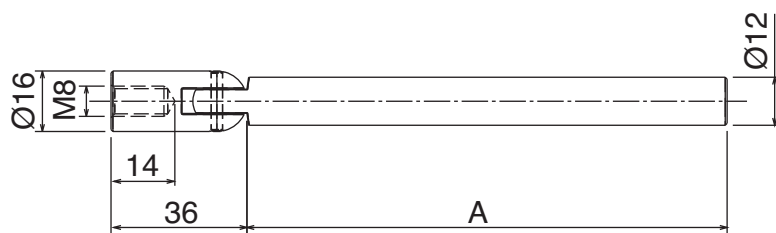
Part	Article-Nr.	A
356	35601	80
356	35602	100
356	35603	150

Use with clamps  
part 324-337



### Perno snodato / Jointed rods / Gelenkbolzen

Part	Article-Nr.	A
357	35701	80
357	35702	100
357	35703	150



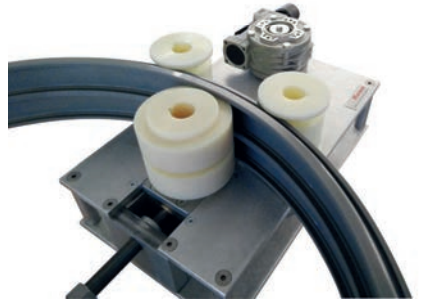
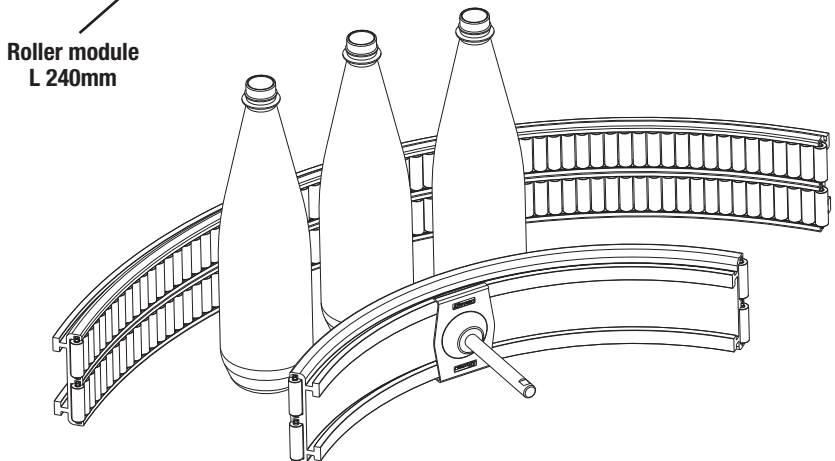
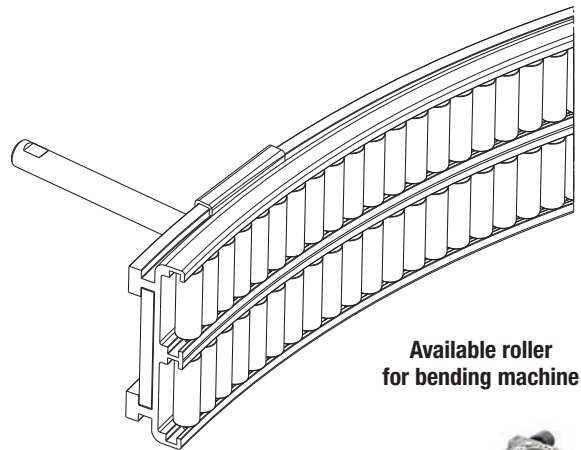
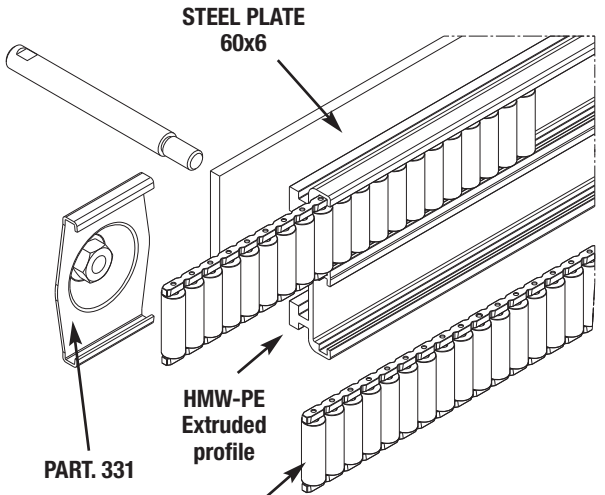
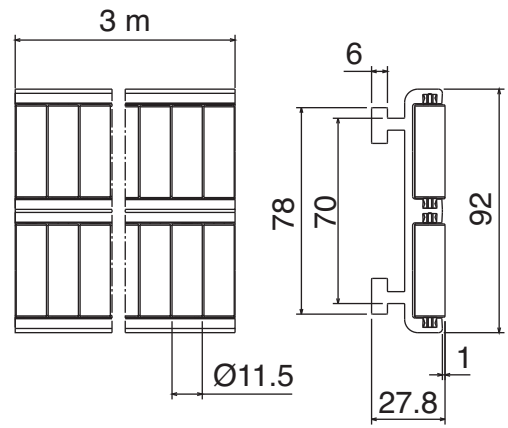
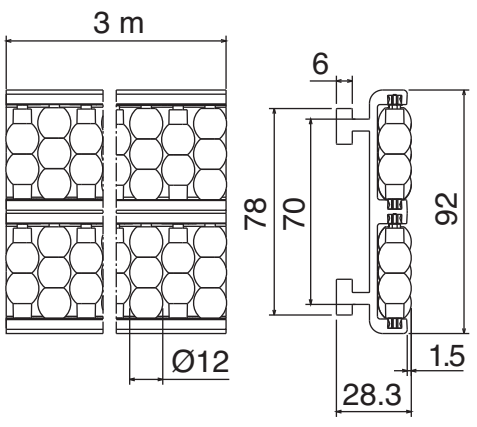
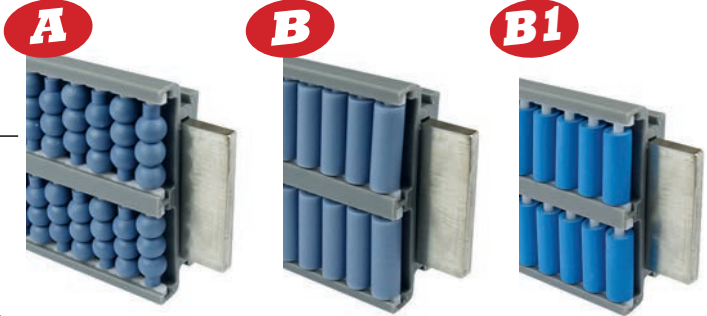
Materiale:	Material:	Materialien:
Polietilene HMW-PE	Polyethylene HMW-PE	Polyethylen HMW-PE
Rulli: resina acetatica o gomma SEBS	Rollers: Acetal Resin or SEBS rubber	Röllchen: Azetal oder SEBS gummi

Guide a rulli laterale / Roller guides / Röllchenführung

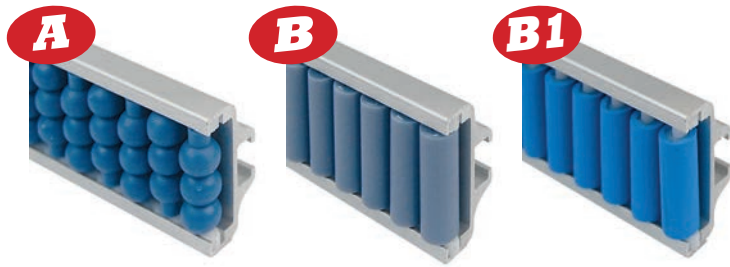
Part	Article-Nr.	Type
335	33502	A
335	33504	B
335	33506	B1

Max fixing load M8 screw: 15 N/m

**New Patented**



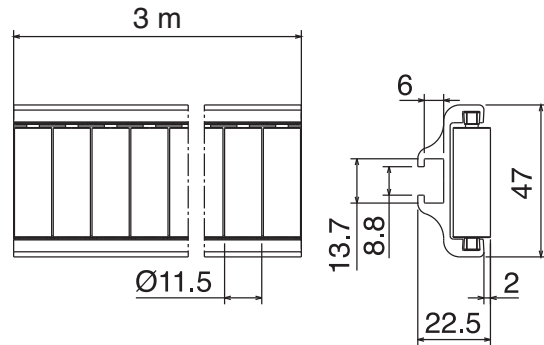
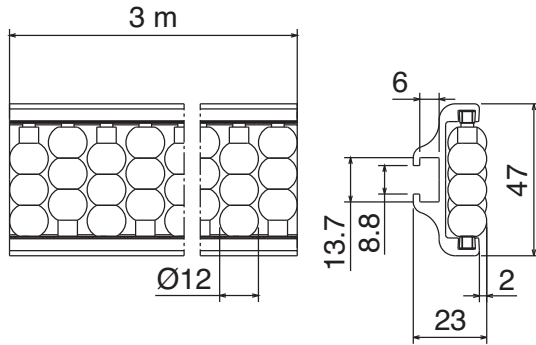
Materiale:	Material:	Materialien:
Guida: alluminio anodizzato	Guide: anodized aluminum	Führung: eloxiertem Aluminium
Rulli: resina acetlica o gomma SEBS	Rollers: Acetal Resin or SEBS rubber	Röllchen: Azetal oder SEBS gummi
Vite: Acciaio inox	Screw: Stainless steel	Schrauben: Edelstahl



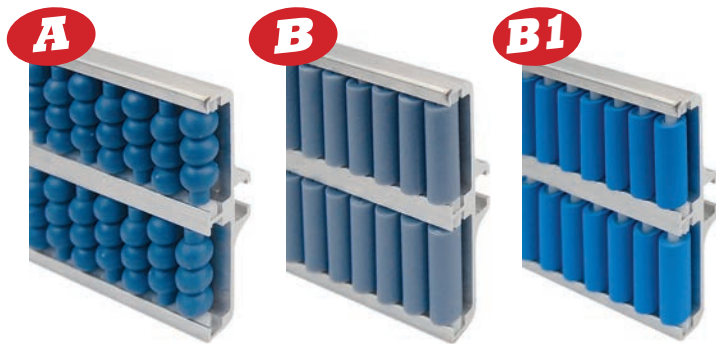
## Guide a rulli laterale / Roller guides / Röllchenführung

Part	Article-Nr.	Type
358	35802	A
358	35804	B
358	35806	B1

Max fixing load M8 screw: 15 N/m



Soft roller  
SEBS rubber



## Puntale / Shoe / Einlaufschuh

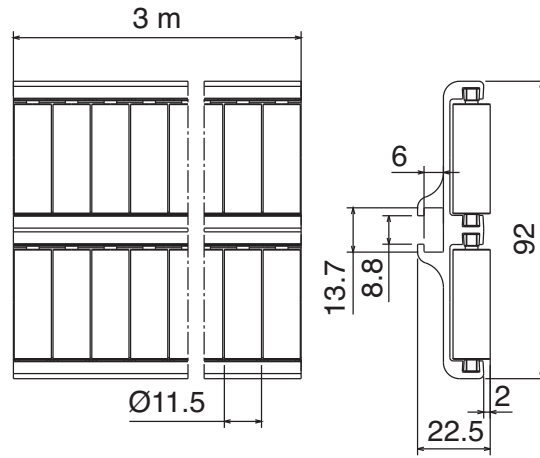
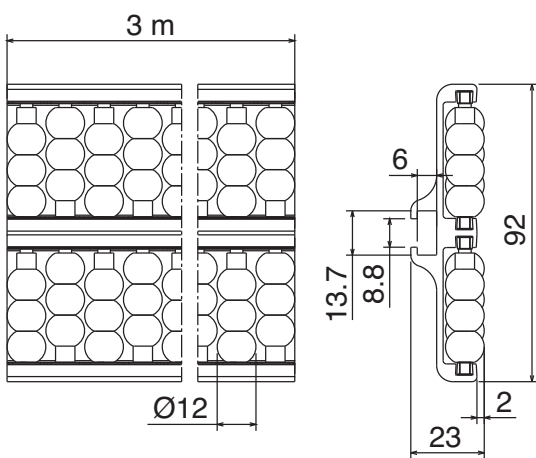
Part	Article-Nr.	Type
364	36401	fresato/machined/gefräst
364	36411	stampato/molded/gespritzt



## Guide a rulli laterale / Roller guides / Röllchenführung

Part	Article-Nr.	Type
359	35902	A
359	35904	B
359	35906	B1

Max fixing load M8 screw: 15 N/m



Soft roller  
SEBS rubber

## Puntale / Shoe / Einlaufschuh

Part	Article-Nr.	Type
365	36501	fresato/machined/gefräst
365	36511	stampato/molded/gespritzt



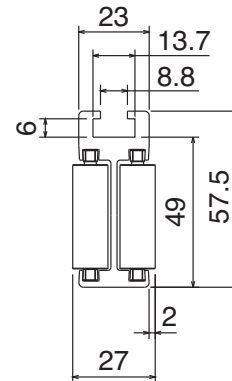
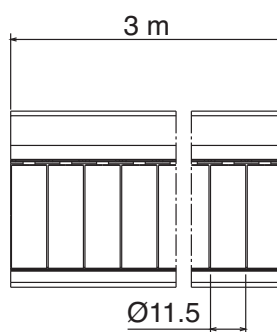
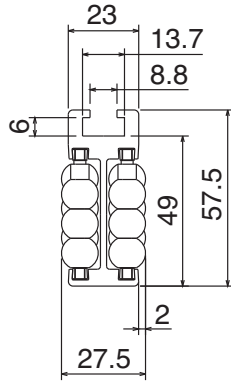
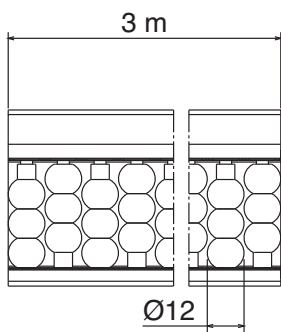
Fixing screw:  
M8 hex.head  
or **PART 362**

<b>Materiale:</b>	<b>Material:</b>	<b>Materialien:</b>
Guida: alluminio anodizzato	Guide: anodized aluminum	Führung: eloxiertem Aluminium
Rulli: resina acetatica o gomma SEBS	Rollers: Acetal Resin or SEBS rubber	Röllchen: Azetal oder SEBS gummi

**Guide a rulli intermedia / Roller guides / Röllchenführung**

Part	Article-Nr.	Type
360	36002	A
360	36004	B
360	36006	B1

Max fixing load M8 screw: 15 N/m



Soft roller SEBS rubber

**Puntale / Shoe / Einlaufschuh**

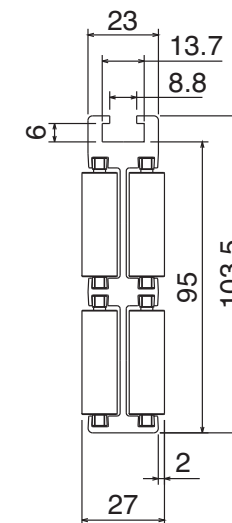
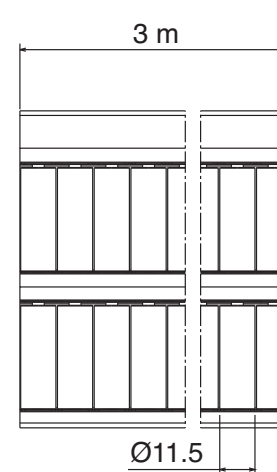
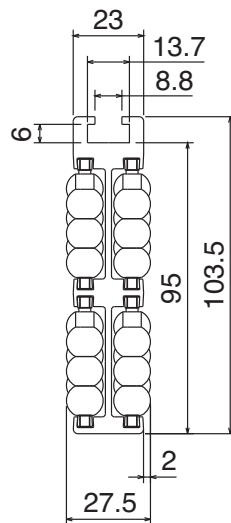
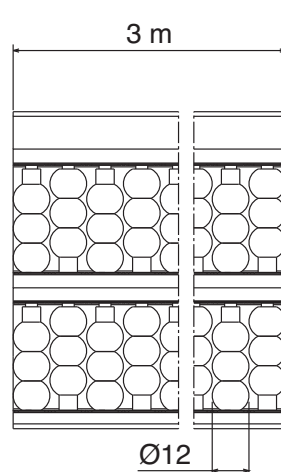
Part	Article-Nr.	Type
366	36601	fresato/machined/gefräst
366	36611	stampato/molded/gespritzt



**Guide a rulli intermedia / Roller guides / Röllchenführung**

Part	Article-Nr.	Type
361	36102	A
361	36104	B
361	36106	B1

Max fixing load M8 screw: 15 N/m



Soft roller SEBS rubber

**Puntale / Shoe / Einlaufschuh**

Part	Article-Nr.	Type
367	36701	fresato/machined/gefräst
367	36711	stampato/molded/gespritzt



Fixing screw: M8 hex.head or PART 362

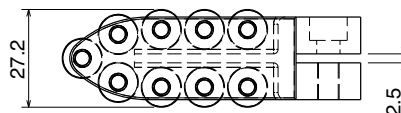
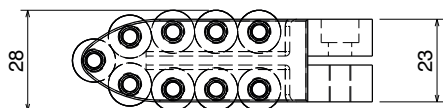
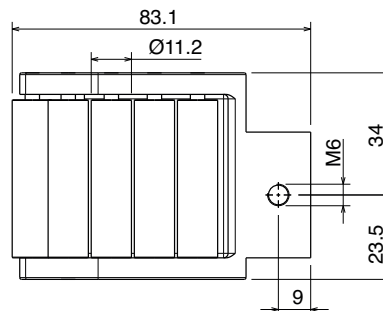
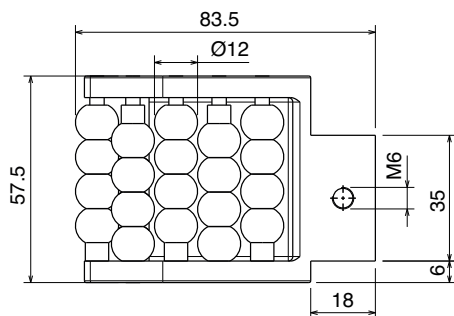
Materiale:	Material:	Materialien:
Puntale: PE HD	Shoe: PE HD	Corpus: PE HD
Perni: acciaio inox	Pins: SS	Bolzen: Edelstahl
Rulli: PE, acetalica o gomma SEBS	Rollers: PE, acetal resin or SEBS rubber	Röllchen: PE, Acetal oder SEBS gummi



## Puntale centrale a rulli / Central roller shoe / Einlaufschuh mitting

**Patented**

Part	Article-Nr.	Type
366	36621	A
366	36622	B
366	36623	B1



Type A

Type B



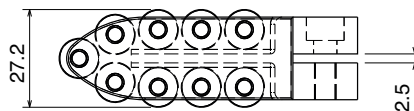
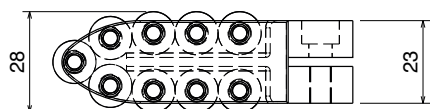
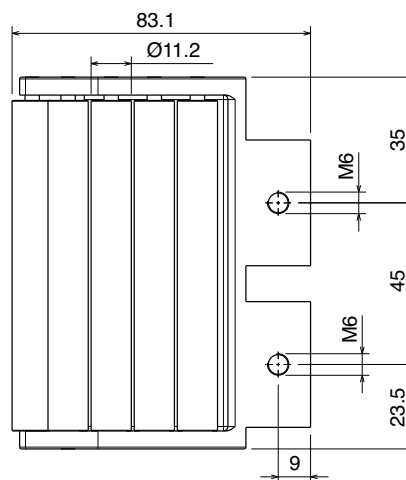
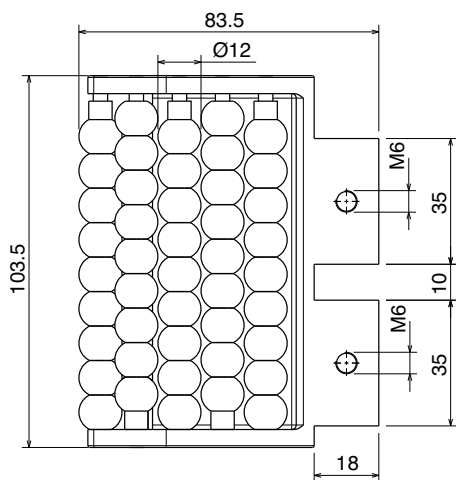
Type B1  
Soft roller  
SEBS rubber



## Puntale centrale a rulli / Central roller shoe / Einlaufschuh mitting

**Patented**

Part	Article-Nr.	Type
367	36721	A
367	36722	B
367	36723	B1



Type A

Type B



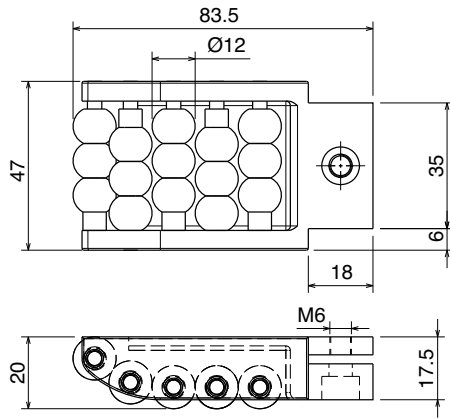
Type B1  
Soft roller  
SEBS rubber

Materiale:	Material:	Materialien:
Puntale: PE HD	Shoe: PE HD	Corpus: PE HD
Perni: acciaio inox	Pins: SS	Bolzen: Edelstahl
Rulli: PE, acetalica o gomma SEBS	Rollers: PE, acetal resin or SEBS rubber	Röllchen: PE, Azetal oder SEBS gummi

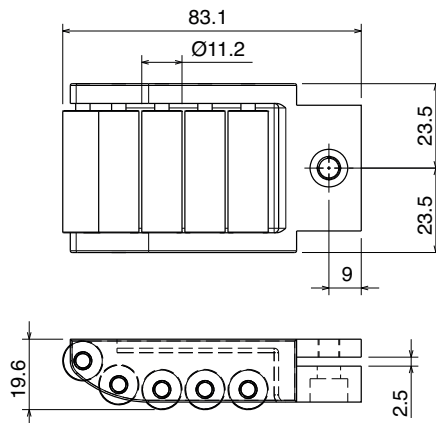
Puntale laterale a rulli / Side roller shoe / Einlaufschuh seitlich

Part	Article-Nr.	Type
364	36421	A
364	36422	B
364	36423	B1

Patented



Type A



Type B

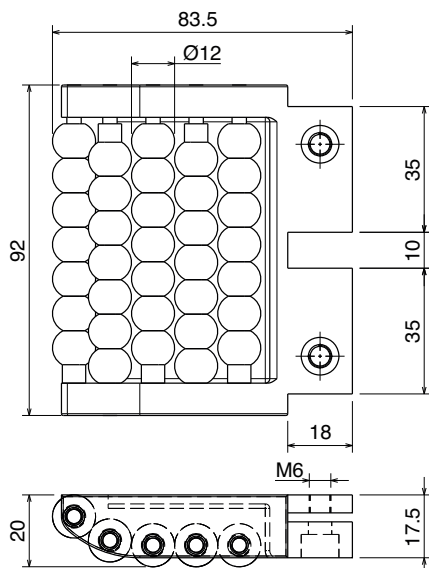


Type B1  
Soft roller  
SEBS rubber

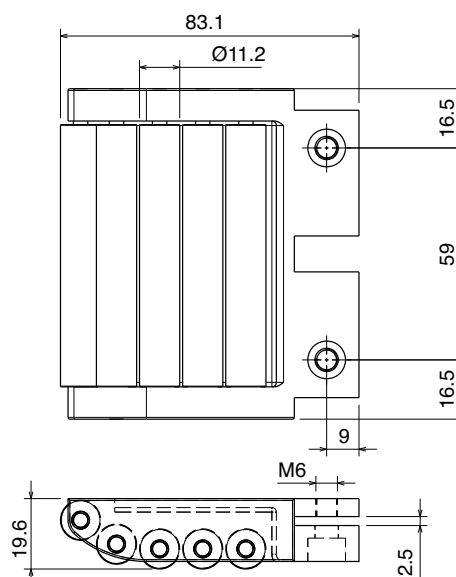
Puntale laterale a rulli / Side roller shoe / Einlaufschuh seitlich

Part	Article-Nr.	Type
365	36521	A
365	36522	B
365	36523	B1

Patented



Type A

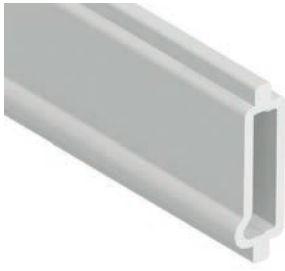


Type B

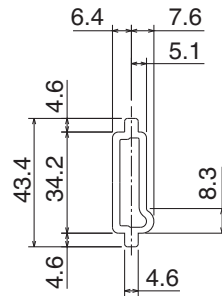


Type B1  
Soft roller  
SEBS rubber

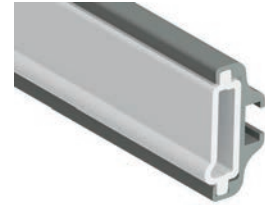
Materiale:	Material:	Materialien:
Profilo: PE	Profile: PE	Profil: PE
Guida: Alluminio	Guides: Aluminum	Führungen: Aluminium
Elemento di giunzione: Acciaio inox	Connecting elements: stainless steel	Verbindungselement: Edelstahl



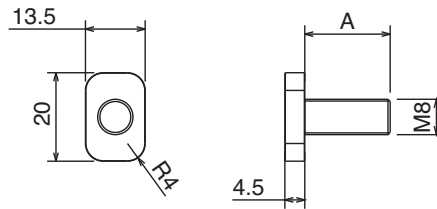
## Guida laterale in PE / PE side guides / Seitenführung in PE



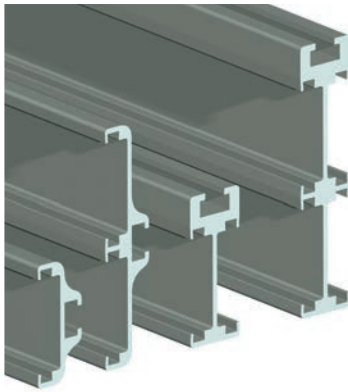
Part	Article-Nr.	L
395	39501	3m



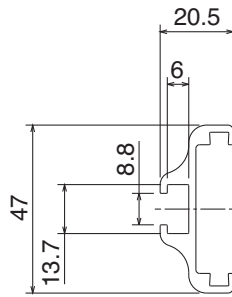
## Vite a "T" / T-bolt / T-Schraube



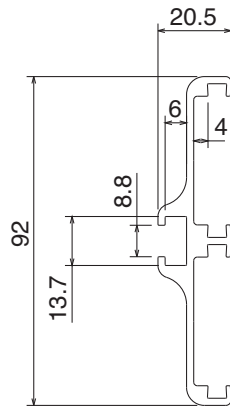
Part	Article-Nr.	A
362	36201	16
362	36202	19
362	36203	25



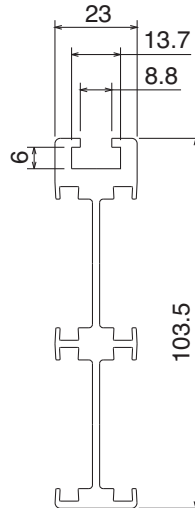
## Guide in alluminio / Aluminum guides / Aluminiumführung



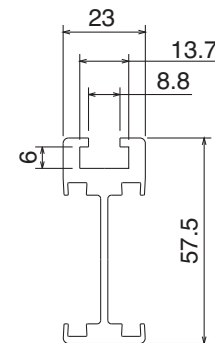
35800



35900



36100

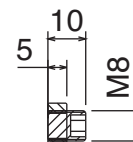
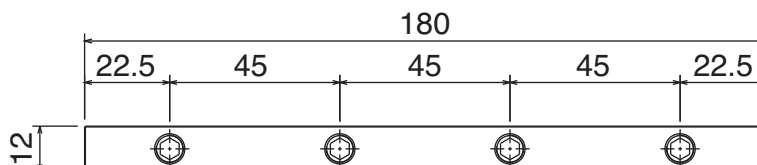


36000

Part	Article-Nr.	Version	Min. radius
358	35800	Single-lateral	250
359	35900	Double-lateral	500
360	36000	Single-central	500
361	36100	Double-central	750

## Elemento di giunzione / Connecting elements / Verbindungselement

Part	Article-Nr.
333	33301



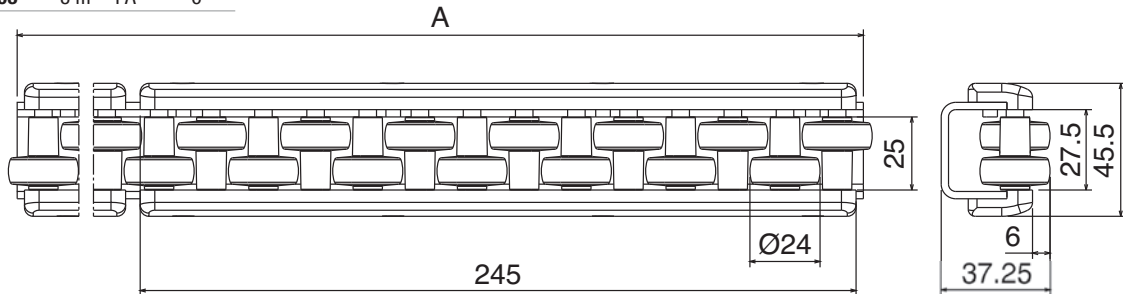


Materiale:	Material:	Materialien:
Profilo metallico e viti: Acciaio inox	Metal Profile and screws: Stainless steel	U-Schiene und Schrauben: Edelstahl
Modulo di connesse: PA	Connection module: PA	Module: PA
Rulli: resina acetica	Rollers: Acetal Resin	Röllchen: Azetal

Guide a rulli di accumulo / Accumulation roller guides / Stauröllchenführung



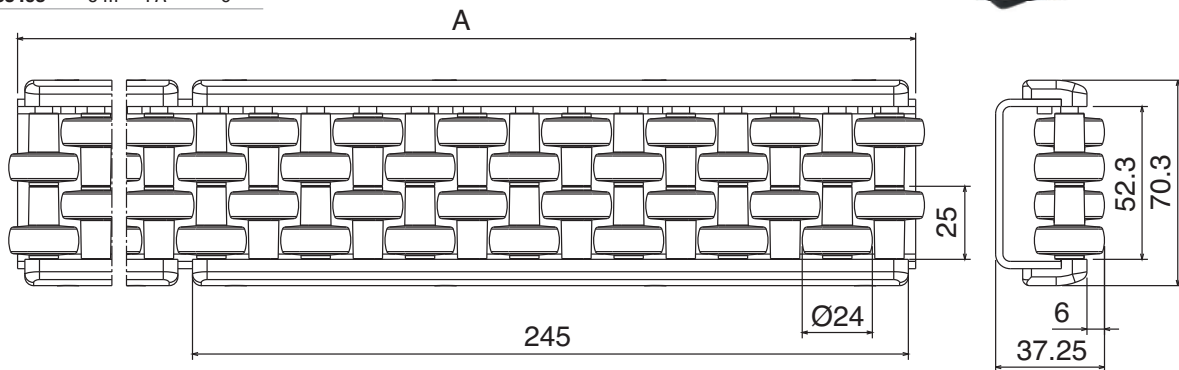
Part	Article-Nr.	A	Pin	Pin DIA
353	35301	1 m	PA	6
353	35302	2 m	PA	6
353	35303	3 m	PA	6



Guide a rulli di accumulo / Accumulation roller guides / Stauröllchenführung



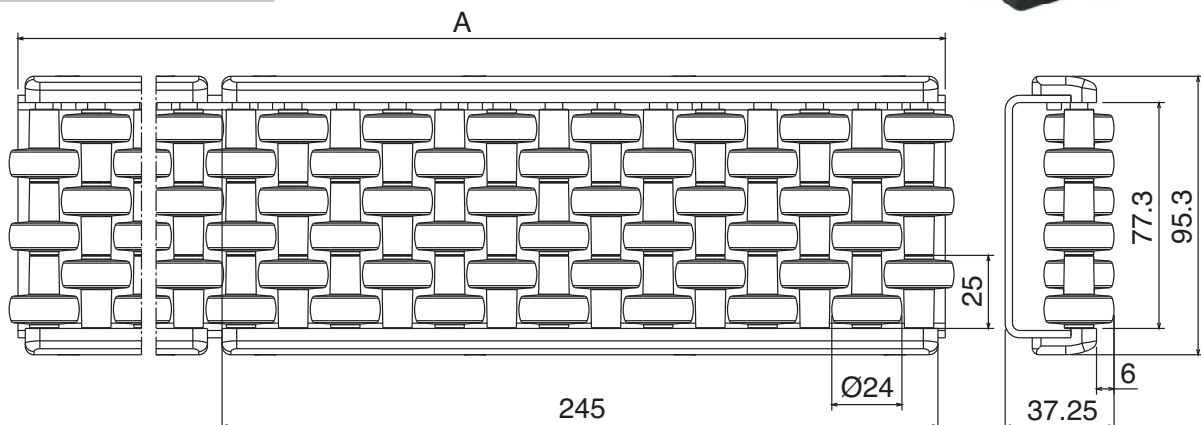
Part	Article-Nr.	A	Pin	Pin DIA
354	35401	1 m	PA	6
354	35402	2 m	PA	6
354	35403	3 m	PA	6



Guide a rulli di accumulo / Accumulation roller guides / Stauröllchenführung



Part	Article-Nr.	A	Pin	Pin DIA
355	35501	1 m	SS	6
355	35502	2 m	SS	6
355	35503	3 m	SS	6

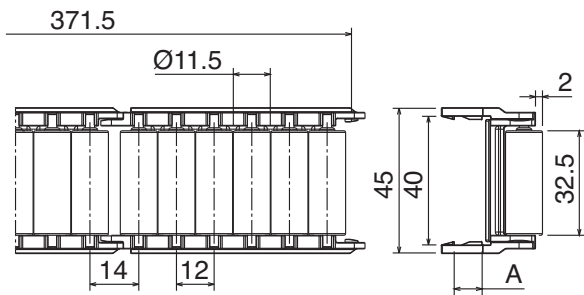


<b>Materiale:</b>	<b>Material:</b>	<b>Materialien:</b>
Resina acetlica	Acetal Resin	Azetal

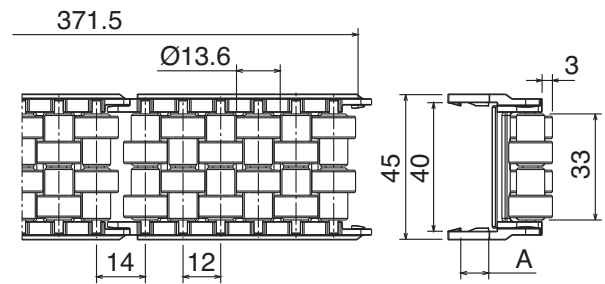


Guida a rulli flessibile / Flexible roller guide / Flexible Röllchenführung

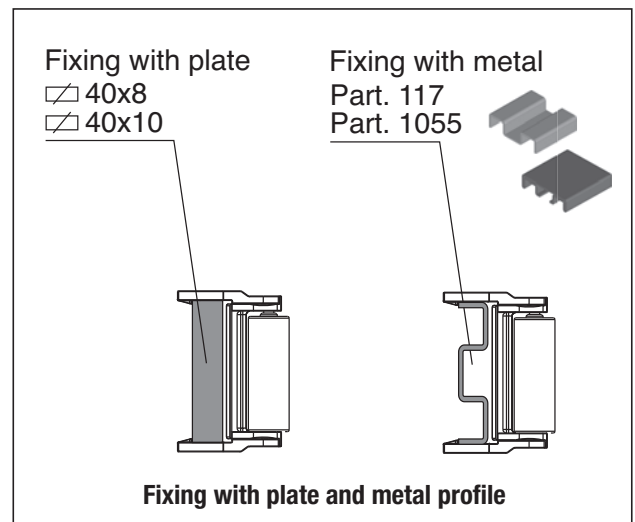
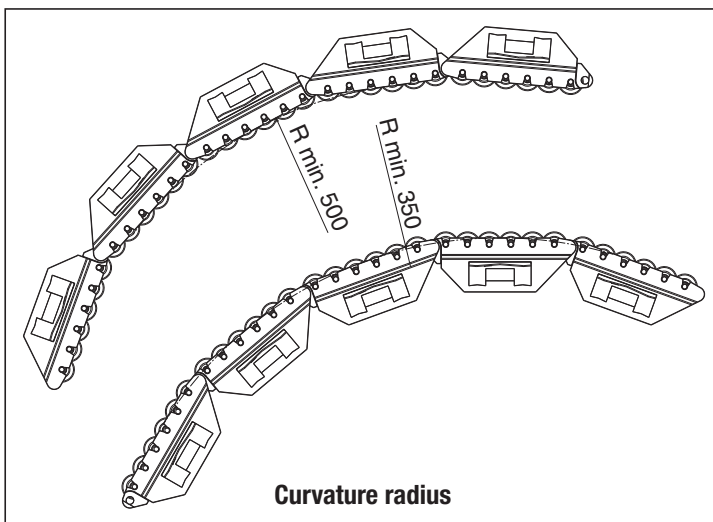
Part	Article-Nr.	Type	A
363	36301	A	8
363	36302	B	8
363	36303	A	10
363	36304	B	10



Type A



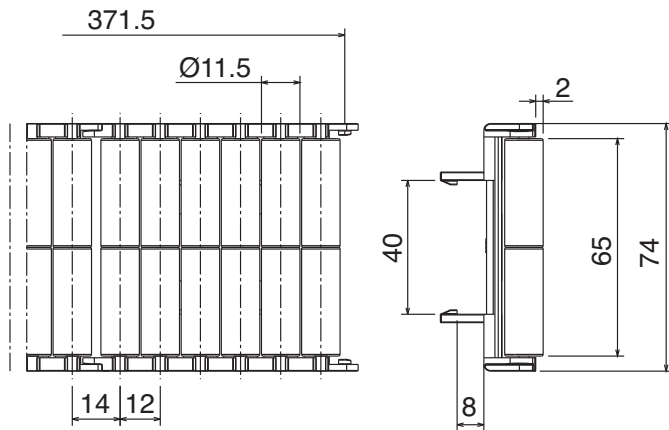
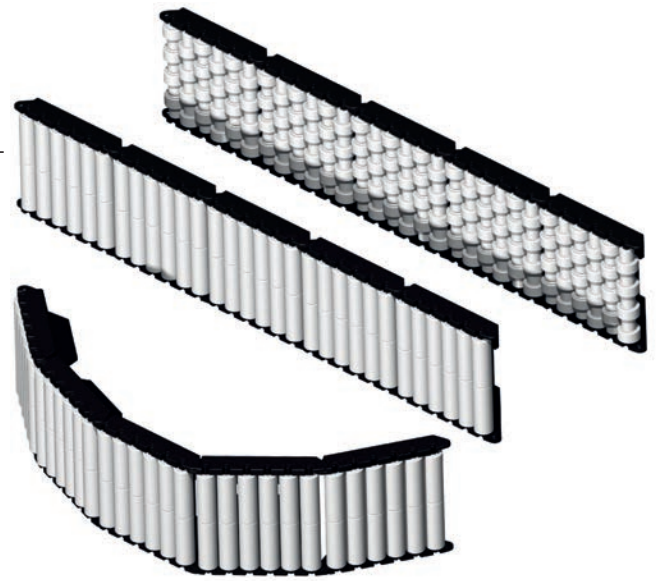
Type B



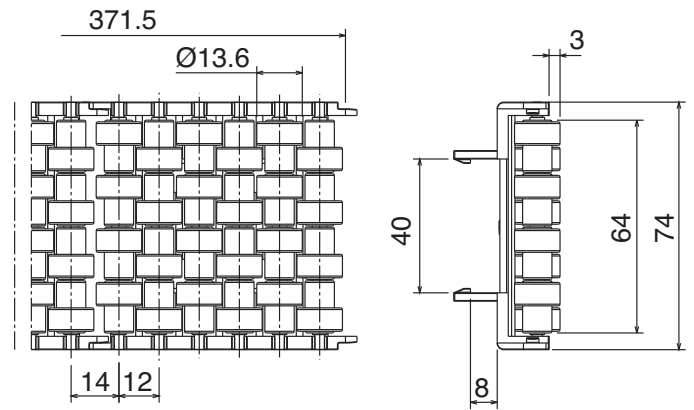
Materiale:	Material:	Materialien:
Resina acetolica	Acetal Resin	Azetal

Guida a rulli flessibile / Flexible roller guide / Flexible Röllchenführung

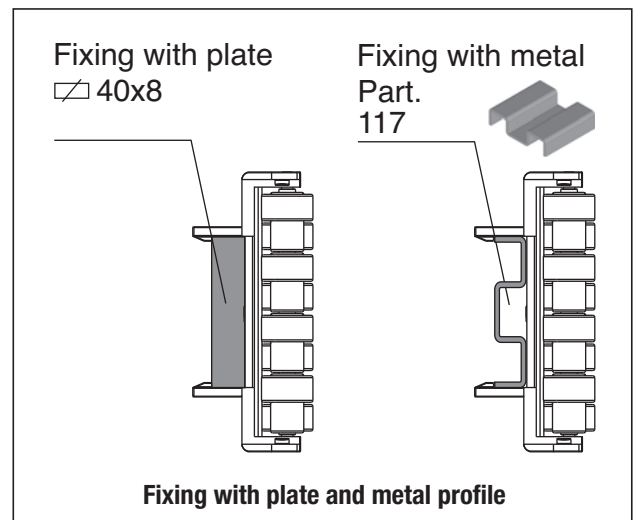
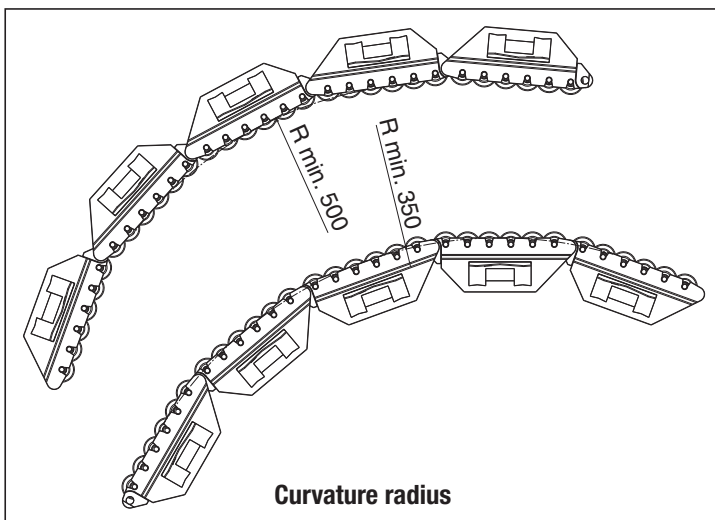
Part	Article-Nr.	Type
396	39601	A
396	39602	B



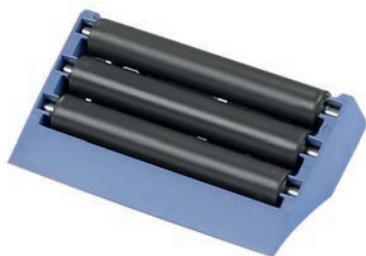
Type A



Type B

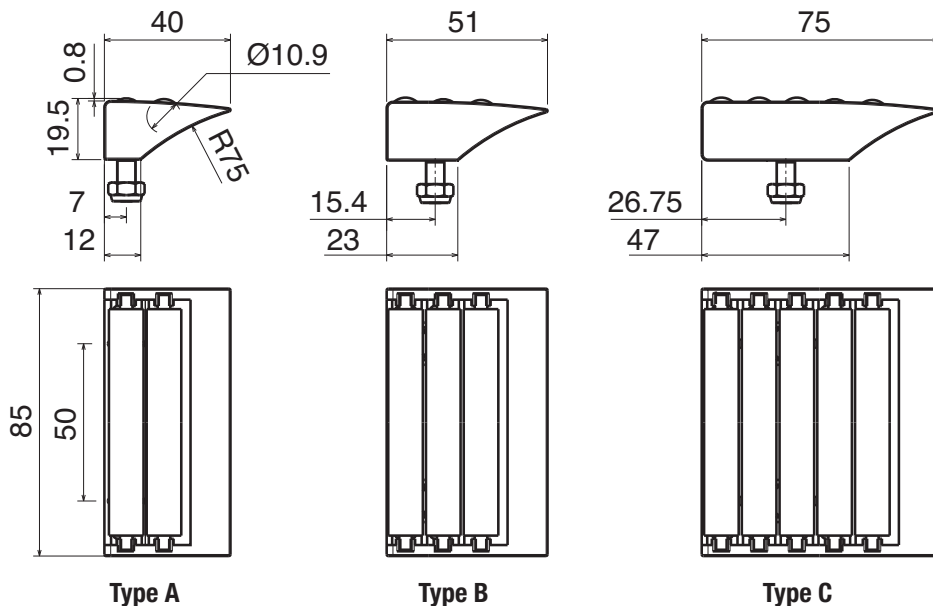


Materiale:	Material:	Materialien:
Modulo: resina acetilica	Moduls: acetal resin	Module: Azetal
Perni, viti e dadi: Acciaio inox	Pins, screws and nuts: Stainless steel	Bolzen, Schraube und Mutter: Edelstahl
Rulli: resina acetilica o acciaio inox	Rollers: acetal resin or stainless steel	Rolle: Azetal oder Edelstahl



Moduli di trasferimento L=85 mm / Transfer modules L=85 mm / Überschubmodul L=85 mm

Part	Article-Nr.	Type	Roller material
368	36801	A	Acetal resin
368	36802	B	Acetal resin
368	36803	C	Acetal resin
368	36801SS	A	Stainless steel
368	36802SS	B	Stainless steel
368	36803SS	C	Stainless steel

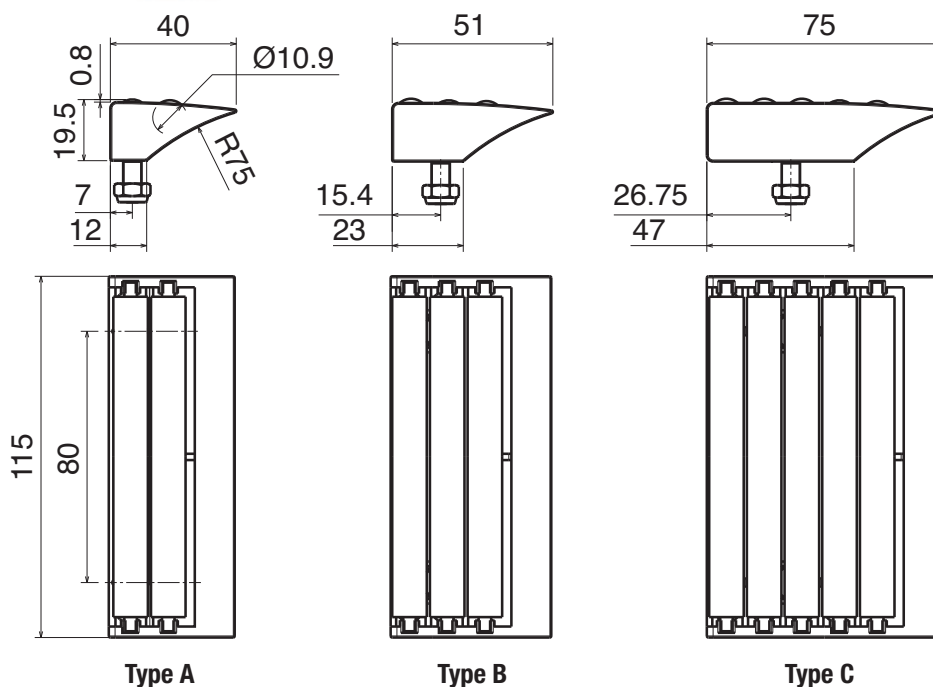


**Smart Roll**  
with mini bearing  
in stainless steel



Moduli di trasferimento L=115 mm / Transfer modules L=115 mm / Überschubmodul L=115 mm

Part	Article-Nr.	Type	Roller material
369	36901	A	Acetal resin
369	36902	B	Acetal resin
369	36903	C	Acetal resin
369	36901SS	A	Stainless steel
369	36902SS	B	Stainless steel
369	36903SS	C	Stainless steel



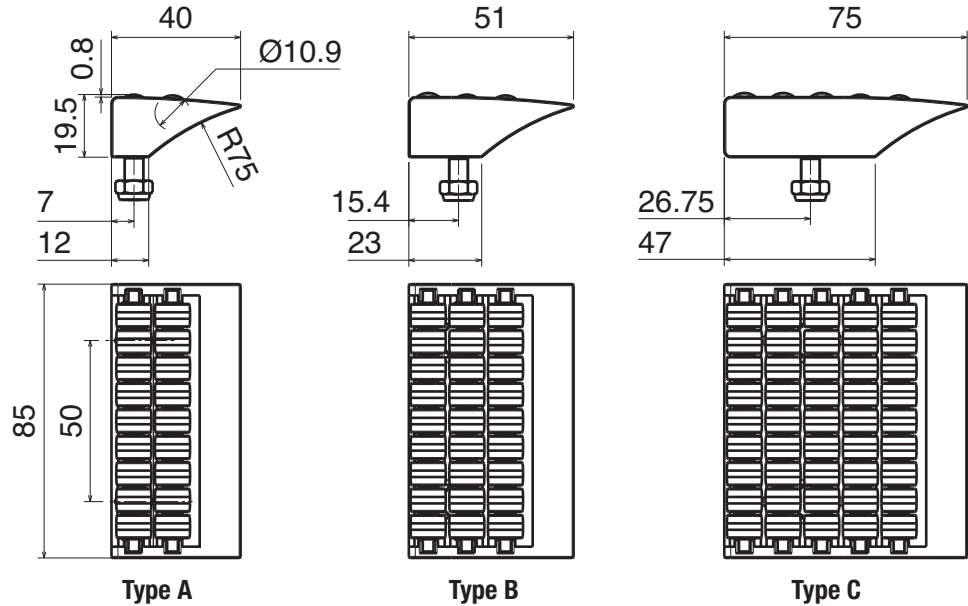
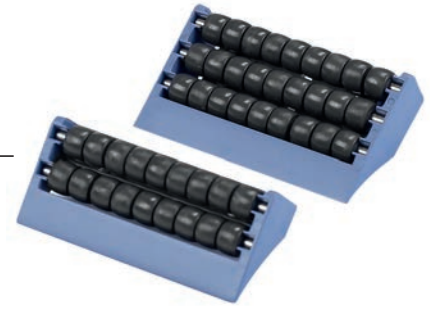
**Smart Roll**  
with mini bearing  
in stainless steel



Materiale:	Material:	Materialien:
Modulo e rulli: resina acetica	Moduls and rollers: acetal resin	Module und Rolle Azetal
Perni, viti e dadi: Acciaio inox	Pins, screws and nuts: Stainless steel	Bolzen, Schraube und Mutter: Edelstahl

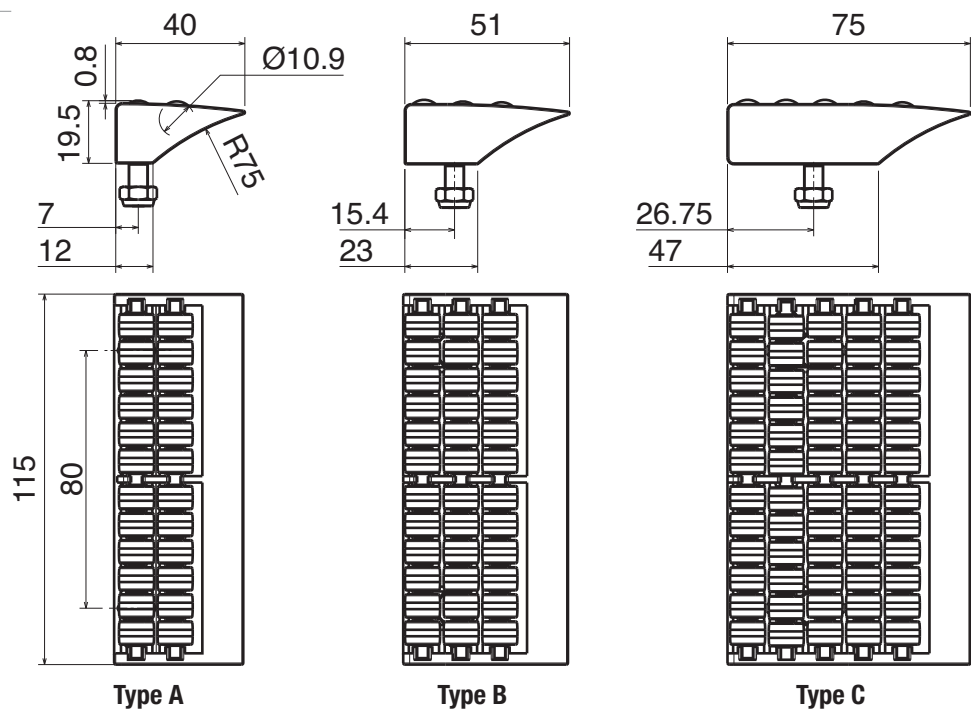
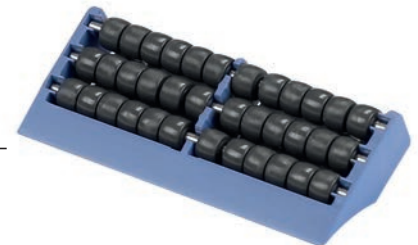
Moduli di trasferimento L=85 mm / Transfer modules L=85 mm / Überschubmodul L=85 mm

Part	Article-Nr.	Type
370	37001	A
370	37002	B
370	37003	C



Moduli di trasferimento L=115 mm / Transfer modules L=115 mm / Überschubmodul L=115 mm

Part	Article-Nr.	Type
371	37101	A
371	37102	B
371	37103	C

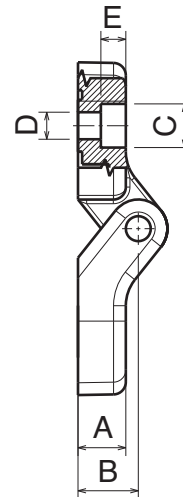
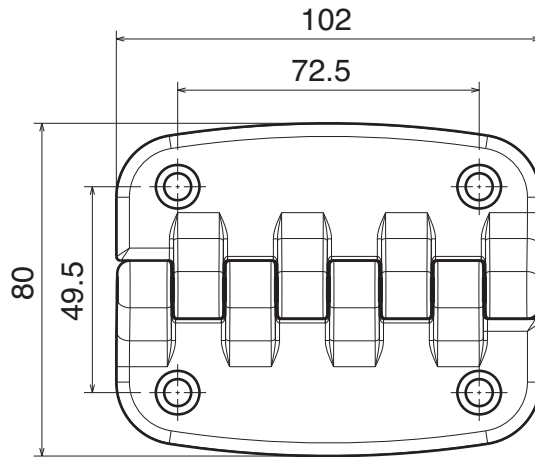


Materiale:	Material:	Materialien:
Cerniera: Poliammide	Hinges: Polyamide	Scharnier: Polyamid
Perni: Acciaio inox	Pins: Stainless steel	Bolzen: Edelstahl



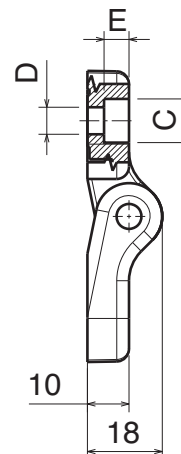
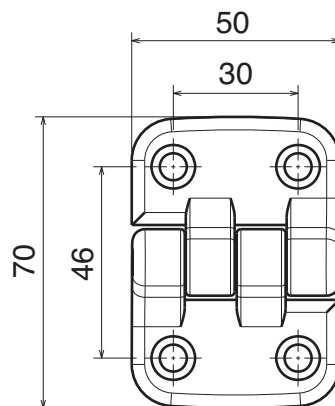
Cerniera / Hinge / Scharnier

Part	Article-Nr.	A	B	C	D	E
372	37201	11	14	10,5	6,5	6
372	37202	11	14	13,5	8,5	8
372	37203	18	21	13,5	8,5	8



Cerniera / Hinge / Scharnier

Part	Article-Nr.	C	D	E
373	37301	10,5	6,5	6
373	37302	13,5	8,5	4

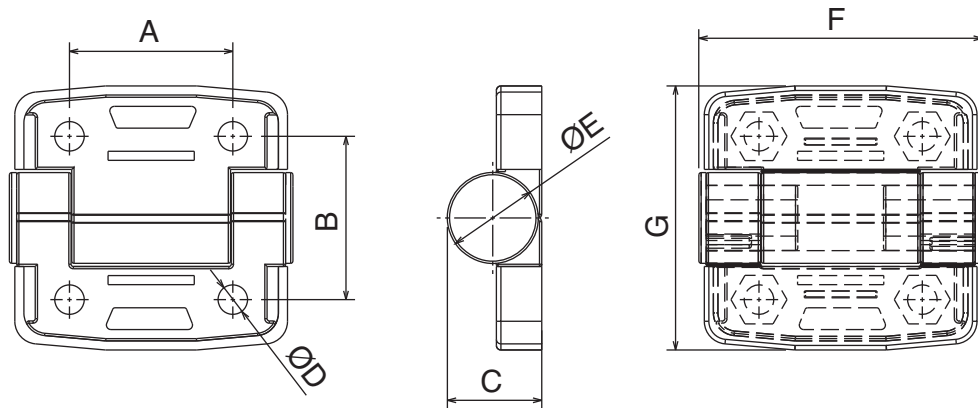


Materiale:	Material:	Materialien:
Cerniera: Poliammide o Acciaio inox	Hinges: Polyamide or Stainless steel	Scharnier: Polyamid oder Edelstahl

**Cerniera / Hinge / Scharnier**

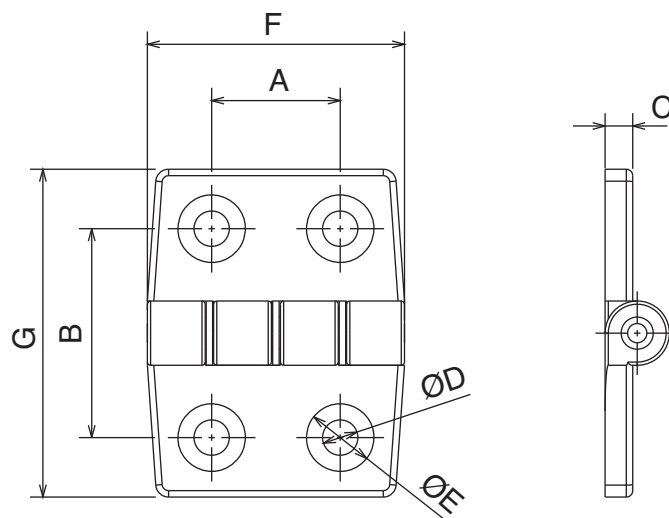


Part	Article-Nr.	A	B	C	ØD	ØE	F	G
383	38301	24	25	14,5	4,5	14	44,6	41
383	38302	36	36	20,8	6,5	20	62,5	58



**Cerniera Acciaio Inox / SS Hinge / Edelstahl Scharnier**

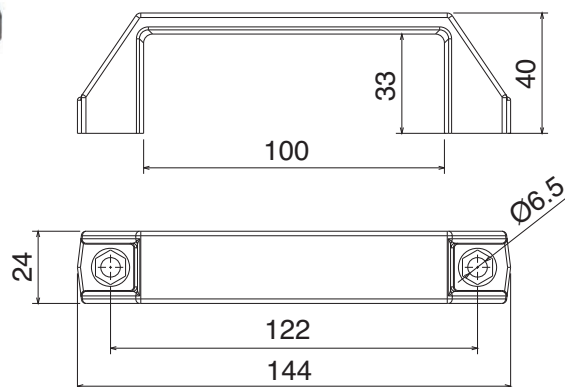
Part	Article-Nr.	A	B	C	ØD	ØE	F	G
384	38401	20	32,5	4,3	5,5	10,5	40	51
384	38402	30	41	5	6,5	12,5	60	71



Materiale:	Material:	Materialien:
Poliammide o Acciaio Inox	Polyamide or Stainless Steel	Polyamid oder Edelstahl



### Maniglia ad impugnatura morbida / Soft touch handle / Handgriffe "Soft Touch"

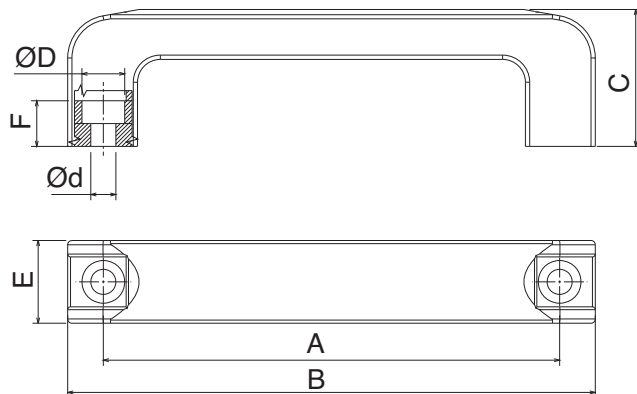


Part	Article-Nr.
385	38501



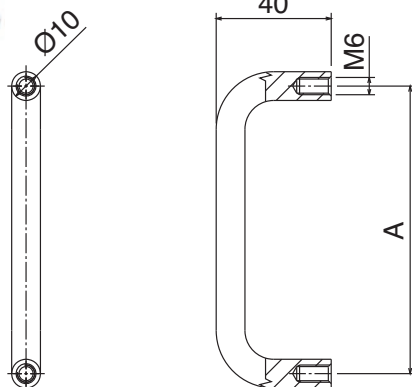
### Maniglia / Handle / Handgriff

Part	Article-Nr.	A	B	C	Ød	ØD	E	F
386	38601	120	140	40	8,8	13	24,5	16
386	38602	160	185	48	8,8	15	29	16



### Maniglia acciaio inox / Stainless Steel handle / Handgriffe Edelstahl

Part	Article-Nr.	A
397	39701	95
397	39702	100
397	39703	110



**Stainless steel  
AISI 304**

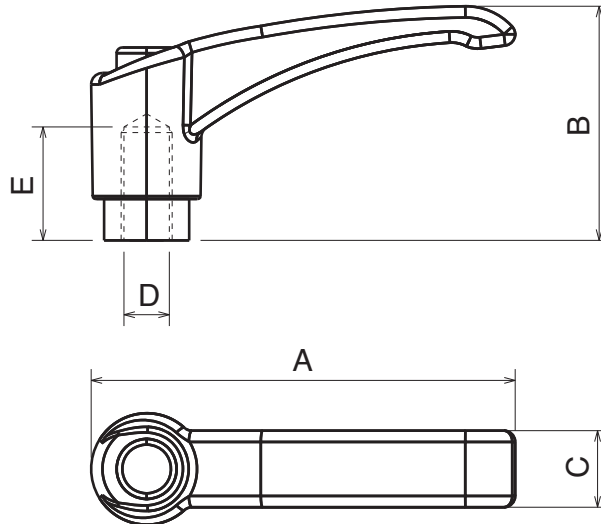


Materiale:	Material:	Materialien:
Morsetti: Poliammide	Handels: Polyamide	Griff: Polyamid
Inserto femmina: ottone nichelato	Female insert: Nickel plated brass	Einsatz: Messing vernickelt
Inserto maschio: Acciaio inox	Male insert: Stainless steel	Aussengewinde: Edelstahl

Maniglia a ripresa / Adjustable handle / Ratschenhebel



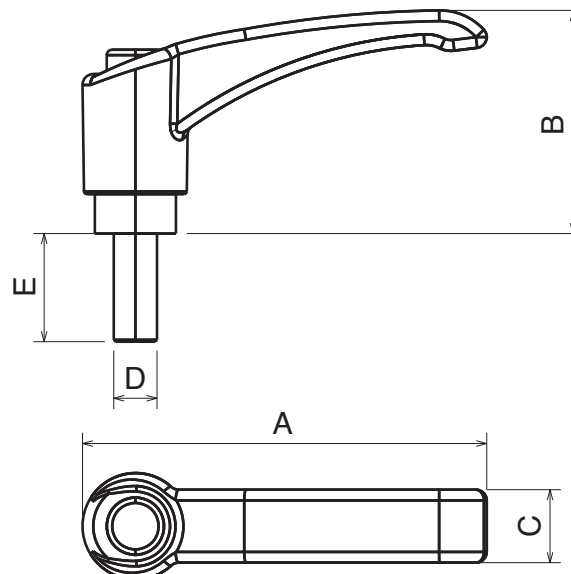
Part	Article-Nr.	A	B	C	D	E
374	37401	75	41	13	M8	11
374	37402	92	53	16	M10	16



Maniglia a ripresa / Adjustable handle / Ratschenhebel



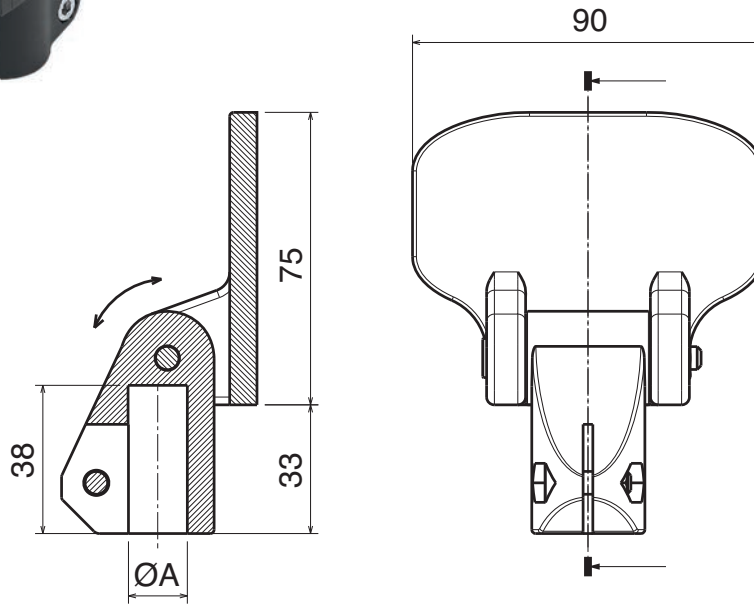
Part	Article-Nr.	A	B	C	D	E
375	37501	75	41	13	M8	20
375	37502	92	53	16	M10	25



Materiale:	Material:	Materialien:
Morsetti: Poliammide	Clamps: Polyamide	Klemme: Polyamid
Viti e dadi: Acciaio inox	Screws and nuts: Stainless steel	Schraube und Mutter: Edelstahl



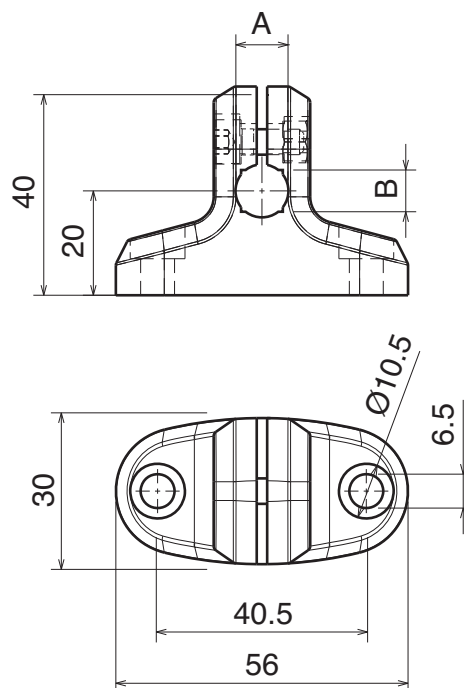
Morsetto standard per fotocellula o riflettore / Clamp for photocells or reflector / Klemme für Fozozelle oder Reflektor



Part	Article-Nr.	ØA
377	37701	14
377	37702	16
377	37703	20



Morsetti "T" / T-clamp / T-Klemme



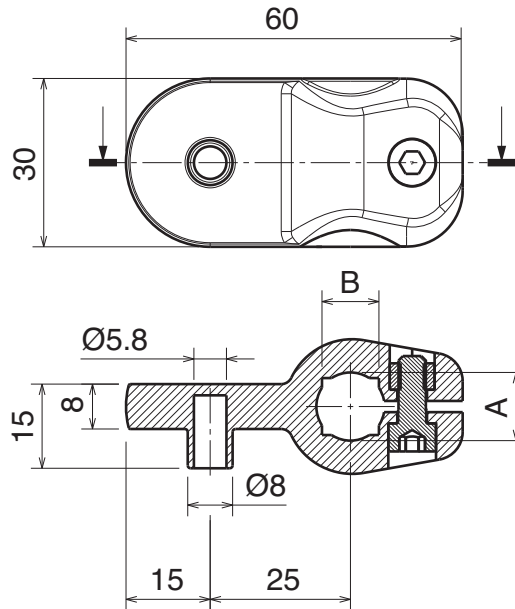
Part	Article-Nr.	A	B
378	37801	10	8
378	37802	12	10
378	37803	14	12

Materiale:	Material:	Materialien:
Morsetti: Poliammide	Clamps: Polyamide	Klemme: Polyamid
Viti e dadi: Acciaio inox	Screws and nuts: Stainless steel	Schraube und Mutter: Edelstahl

**Morsetto per riflettore / Clamp for reflector / Reflektorklemme**



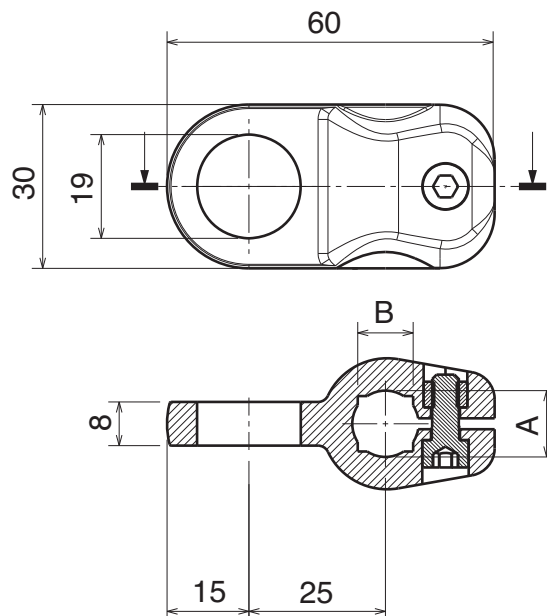
Part	Article-Nr.	A	B
379	37901	10	8
379	37902	12	10
379	37903	14	12



**Morsetto per fotocellule o sensori / Clamp for photocells or sensors / Klemme für Lichtschranke oder Sensoren**



Part	Article-Nr.	A	B
380	38001	10	8
380	38002	12	10
380	38003	14	12

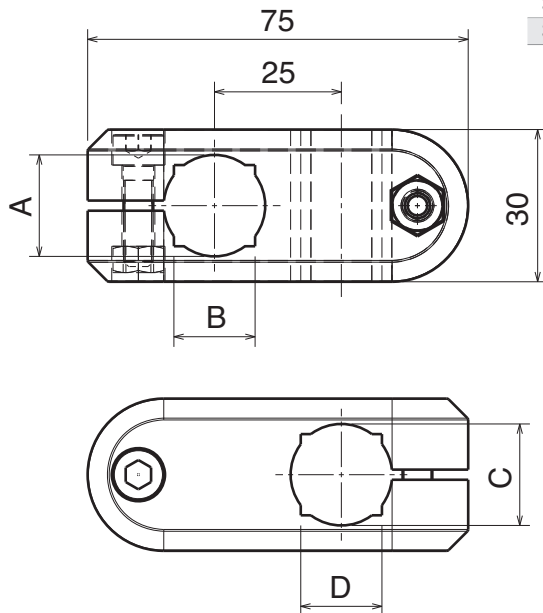


Materiale:	Material:	Materialien:
Morsetti: Poliammide	Clamps: Polyamide	Klemme: Polyamid
Viti e dadi: Acciaio inox	Screws and nuts: Stainless steel	Schraube und Mutter: Edelstahl



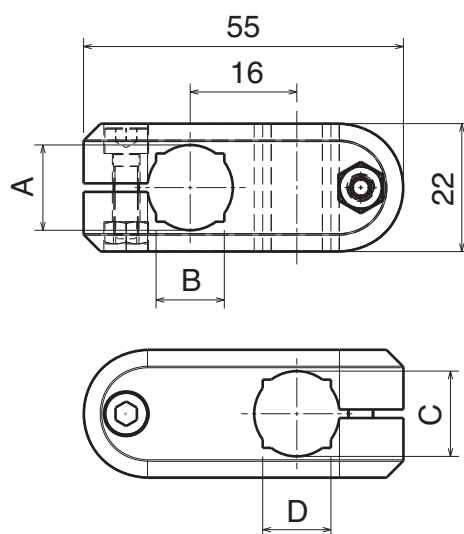
Morsetto a croce / Cross clamp / Kreuzklemme

Part	Article-Nr.	A	B	C	D
381	38101	14	12	14	12
381	38102	16	14	16	14
381	38103	18	-	18	-
381	38104	20	16	20	16



Morsetto a croce / Cross clamp / Kreuzklemme

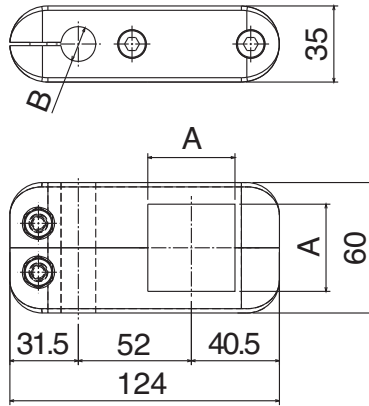
Part	Article-Nr.	A	B	C	D
382	38201	10	8	10	8
382	38202	12	10	12	10
382	38203	14	12	14	12



Materiale:	Material:	Materialien:
Volantino: PA+ ottone nichelato	Knob: PA+ nickel plated brass	Stengriff: PA+ messing vernickelt
Tirante e rondella: Acciaio inox	Eyebolt and washer: Stainless steel	Augenschraube und Unterlegs: Edelstahl
Corpo: PA	Body: PA	Korpus: PA

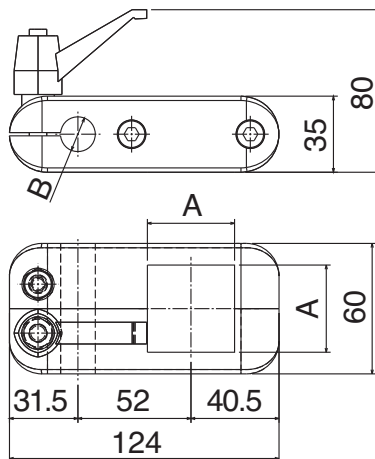
Morsetto a croce "extra" / Extra Cross Block / Kreuzklemme "Extra"

Part	Article-Nr.	A	B
376	37601	30x30	16
376	37602	40x40	16
376	37603	40x40	20



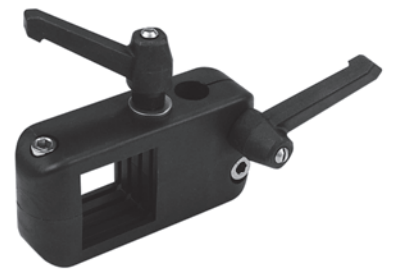
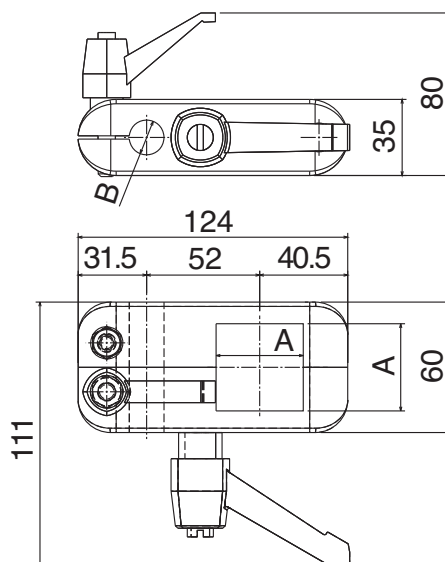
Morsetto a croce "extra" con maniglia / Extra Cross Block with handle / Kreuzklemme "Extra" m. Ratschenhebel

Part	Article-Nr.	A	B
376	37611	30x30	16
376	37612	40x40	16
376	37613	40x40	20



Morsetto a croce "extra" con maniglie / Extra Cross Block with handles / Kreuzklemme "Extra" m. Ratschenhebel

Part	Article-Nr.	A	B
376	37621	30x30	16
376	37622	40x40	16
376	37623	40x40	20



# 391

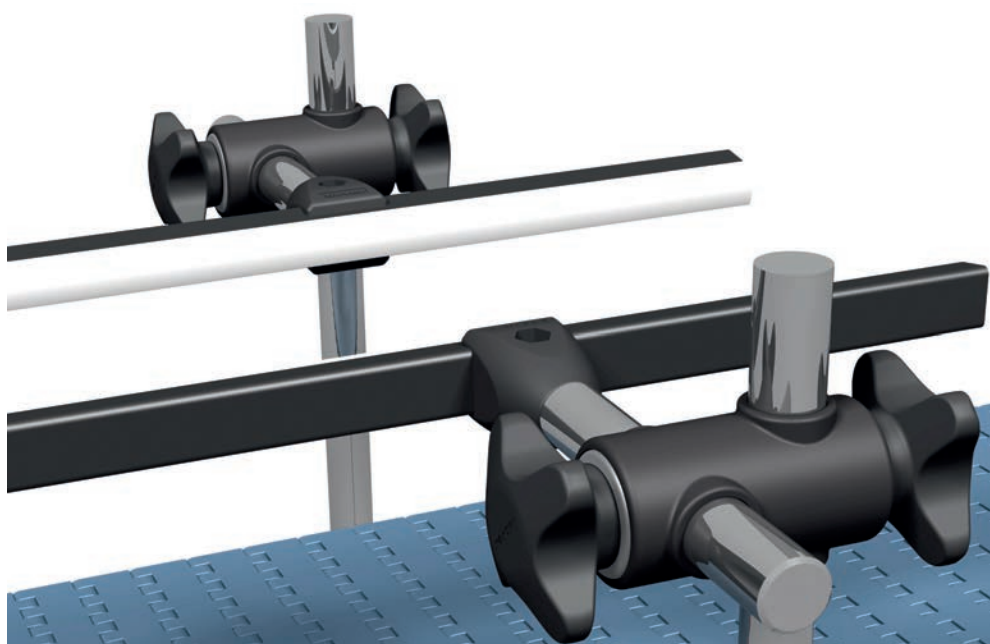
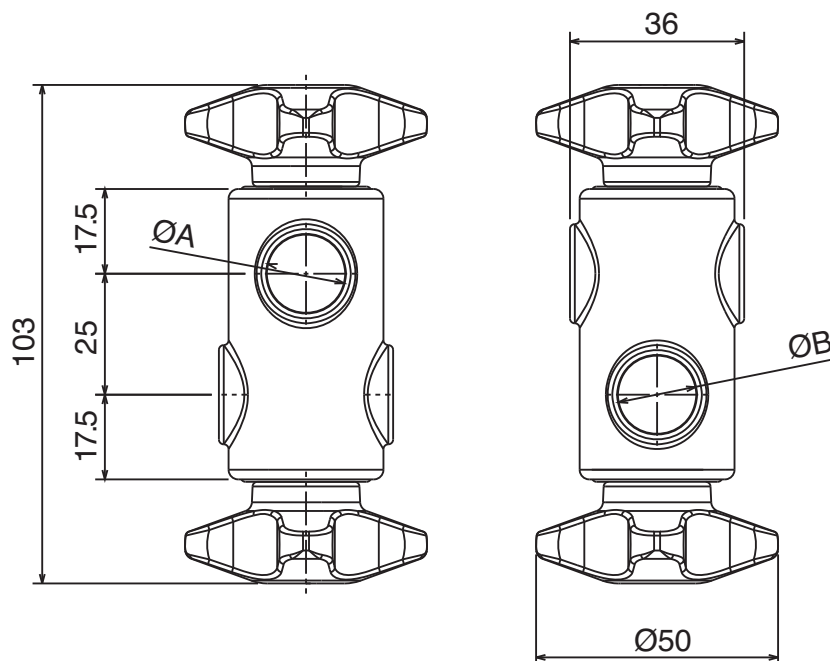
Morsetto a Croce  
Cross Block  
Kreuzblock

Materiale:	Material:	Materialien:
Volantino: PA+ ottone nichelato	Knob: PA+ nickel plated brass	Stengriff: PA+ messing vernickelt
Tirante e rondella: Acciaio inox	Eyebolt and washer: Stainless steel	Augenschraube und Unterlegs: Edelstahl
Corpo: PA	Body: PA	Korpus: PA



## Morsetto a croce / Cross Block / Kreuzblock

Part	Article-Nr.	ØA	ØB
391	39101	12	12
391	39103	14	14
391	39102	16	16
391	39104	12	16

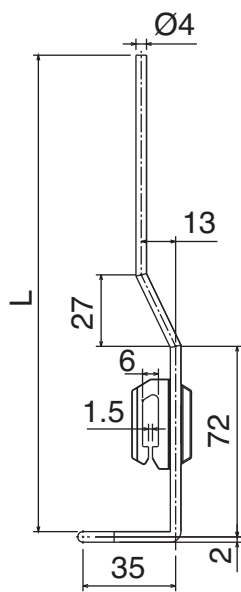


Materiale:	Material:	Materialien:
Supporto: Acciaio inox	Support: Stainless steel	Halter: Edelstahl
Morsetto: PA	Clamps: PA	Klemme: PA

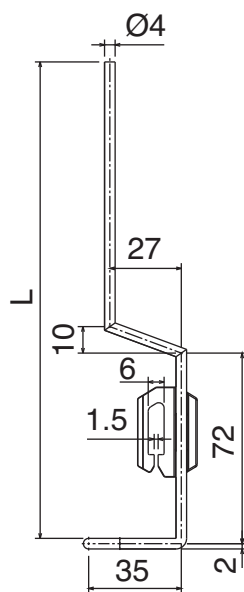
Sostegno per Sgocciolatoio / Drip Tray Supports / Tropfblechhalter



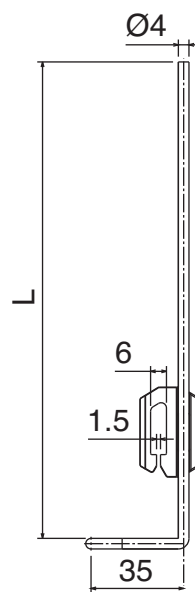
Part	Article-Nr.	L	Type
387	38701	180	A
387	38702	250	A
387	38703	180	B
387	38704	250	B
387	38705	280	B
387	38706	246	C
387	38707	396	C
387	38708	180	D
387	38709	250	D



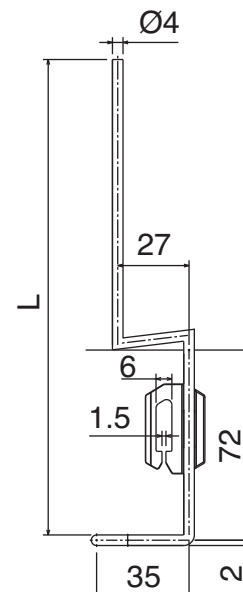
Type A



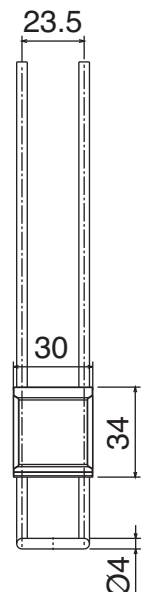
Type B



Type C



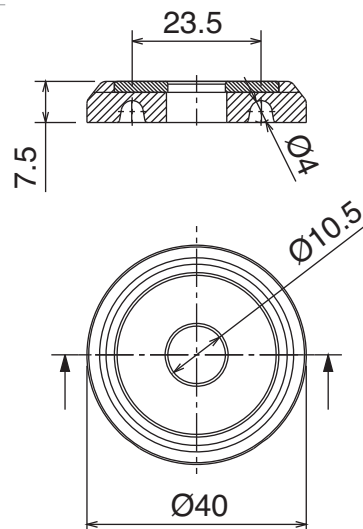
Type D

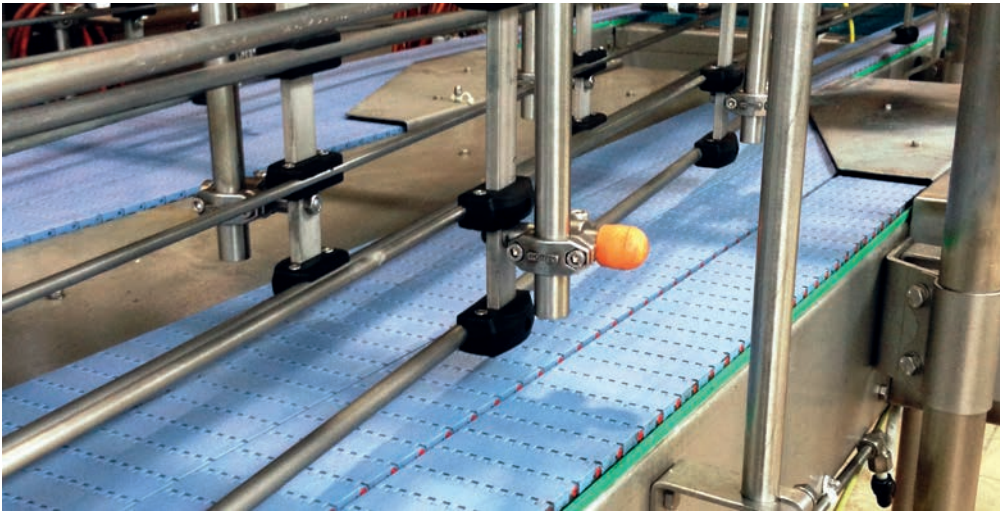


Rondella di fissaggio / Fixing washer / Fixierscheibe



Part	Article-Nr.
388	38801







# conveyor support components

<p>401</p> <p>pag. 264</p>	<p>402</p> <p>pag. 264</p>	<p>403</p> <p>pag. 265</p>	<p>404</p> <p>pag. 265</p>	<p>407</p> <p>pag. 266</p>	<p>408</p> <p>pag. 266</p>
<p>409</p> <p>pag. 267</p>	<p>410</p> <p>pag. 268</p>	<p>411</p> <p>pag. 268</p>	<p>426</p> <p>pag. 269</p>	<p>427</p> <p>pag. 270</p>	<p>425</p> <p>pag. 270</p>
<p>413</p> <p>pag. 271</p>	<p>417</p> <p>pag. 271</p>	<p>414</p> <p>pag. 272</p>	<p>419</p> <p>pag. 273</p>	<p>420</p> <p>pag. 273</p>	<p>415</p> <p>pag. 274</p>
<p>416</p> <p>pag. 275</p>	<p>428</p> <p>pag. 276</p>	<p>429</p> <p>pag. 276</p>	<p>430</p> <p>pag. 276</p>	<p>418</p> <p>pag. 277</p>	<p>421</p> <p>pag. 278</p>
<p>422</p> <p>pag. 278</p>	<p>423</p> <p>pag. 278</p>	<p>424</p> <p>pag. 278</p>			

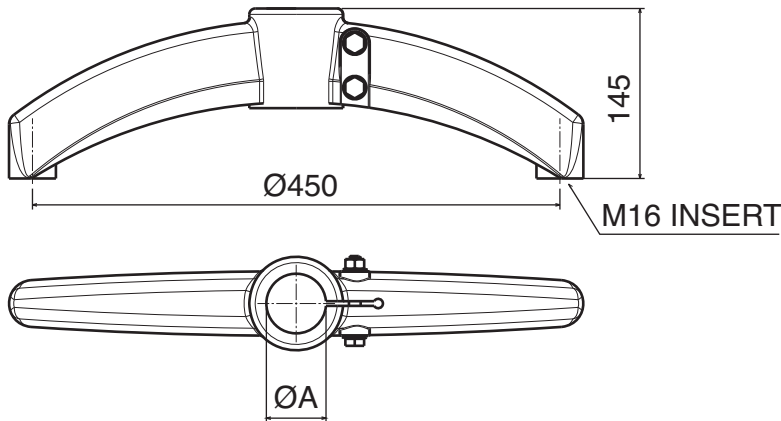


Materiale:	Material:	Materialien:
Basi: Poliammide	Base: Polyamide	Halter: Polyamid
Viti e rondelle: Acciaio inox	Screws and washers: Stainless steel	Schrauben und Scheibe Edelstahl
Inserti e dadi: ottone nichelato	Inserts nuts: nickel plated brass	Mutter: Messing vernickelt



### Base a due braccia / Bipod / Zweibeinhalter

Part	Article-Nr.	ØA
401	40101	48,3
401	40105	50,9
401	40102	60,3

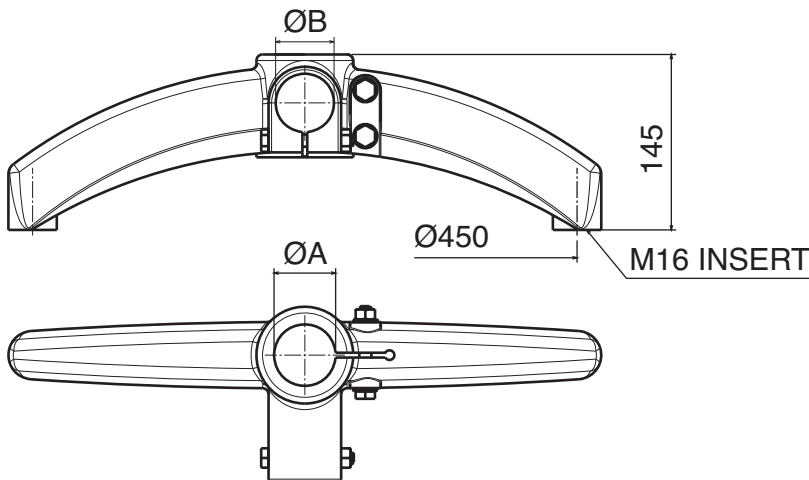


**Tube sliding load resistance**  
P= 8000N  
**Max applicable load**  
P= 9600N  
**Bolts tightening torque**  
35 N.m



### Base a due braccia 180° con giunto / Bipod 180° with connector / Zweibeinhalter 180° m. Verbinder

Part	Article-Nr.	ØA	ØB
402	40201	48,3	48,3
402	40205	50,9	48,3
402	40202	60,3	48,3
402	40203	48,3	42,4
402	40206	50,9	42,4
402	40204	60,3	42,4



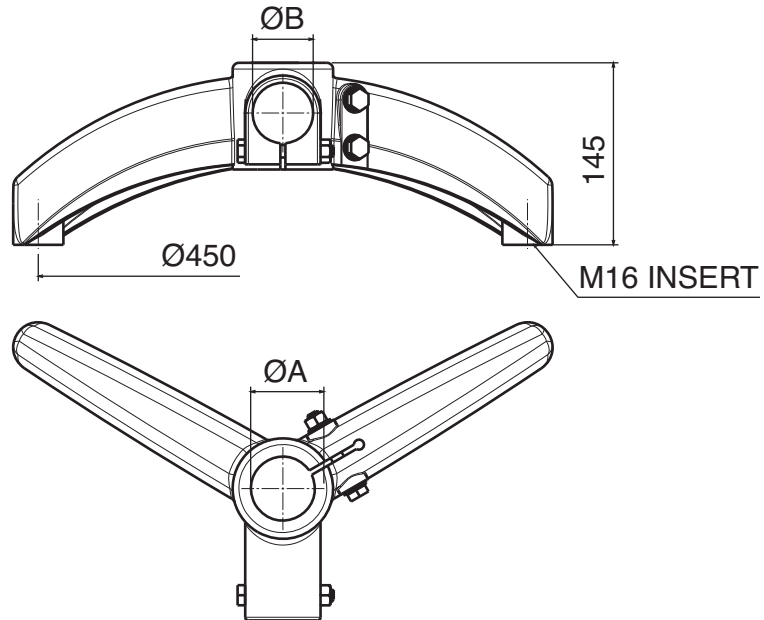
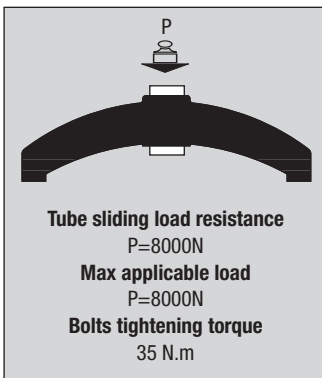
**Tube sliding load resistance**  
P=8000N  
**Max applicable load**  
P=8000N  
**Bolts tightening torque**  
35 N.m

Materiale:	Material:	Materialien:
Basi: Poliammide	Base: Polyamide	Halter: Polyamid
Viti e rondelle: Acciaio inox	Screws and washers: Stainless steel	Schrauben und Scheibe Edelstahl
Inseriti e dadi: ottone nichelato	Inserts nuts: nickel plated brass	Mutter: Messing vernickelt

Base a due braccia 120° con giunto / Bipod 120° with connector / Zweibeinhalter 120° m. Verbinder



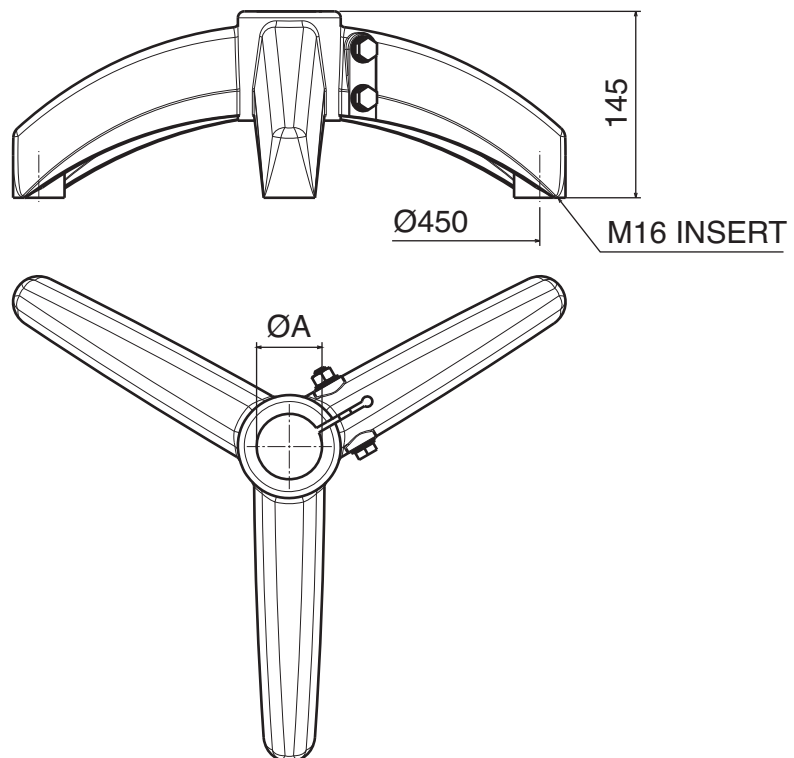
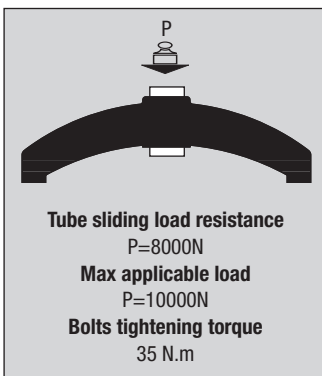
Part	Article-Nr.	ØA	ØB
403	40301	48,3	48,3
403	40305	50,9	48,3
403	40302	60,3	48,3
403	40303	48,3	42,4
403	40306	50,9	42,4
403	40304	60,3	42,4



Base a tre braccia / Tripod / Dreibeinhalter



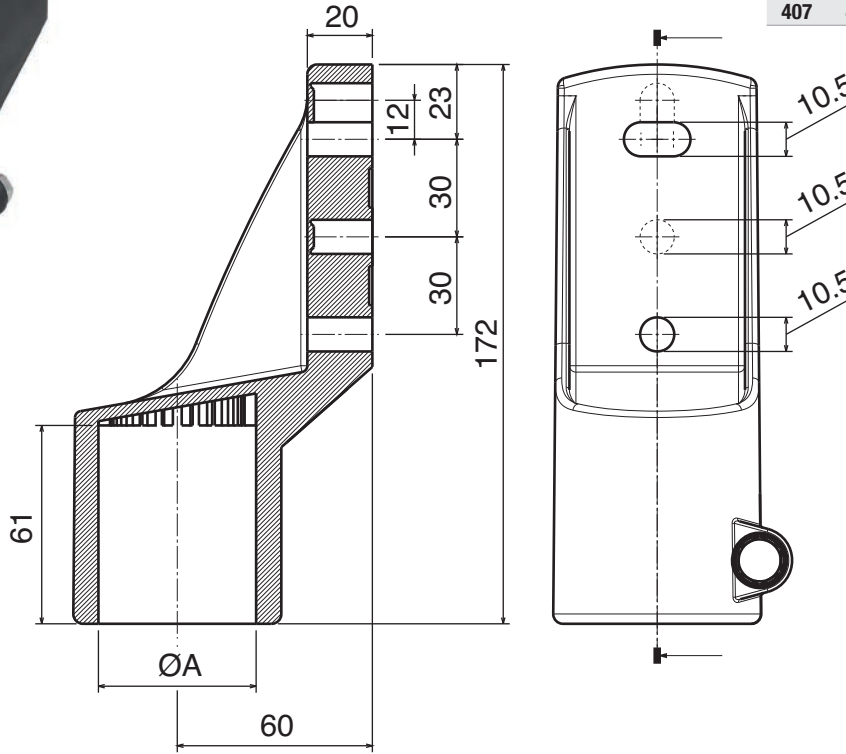
Part	Article-Nr.	ØA
404	40401	48,3
404	40405	50,9
404	40402	60,3



Materiale:	Material:	Materialien:
Testata: Poliammide	Side bracket: Polyamide	Halter: Polyamid
Viti e rondelle: Acciaio inox	Screws and washers: Stainless steel	Schrauben und Scheibe Edelstahl
Dadi: ottone nichelato	Nuts: nickel plated brass	Mutter: Messing vernickelt



### Testata laterale / Side mounting top bracket / seitlicher Stützkopf

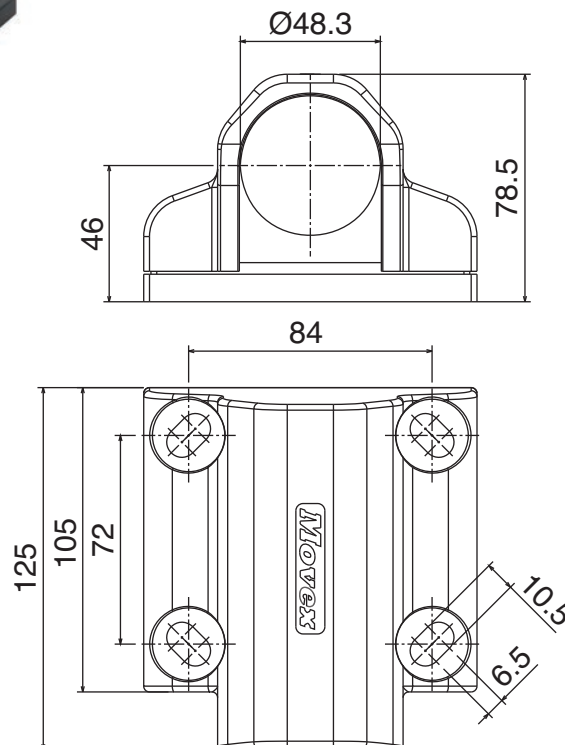


Part	Article-Nr.	ØA
407	40701	48,3
407	40702	50,9

Max recommended  
tightening torque  
2 kg/m



### Testata laterale / Side mounting top bracket / seitlicher Stützkopf



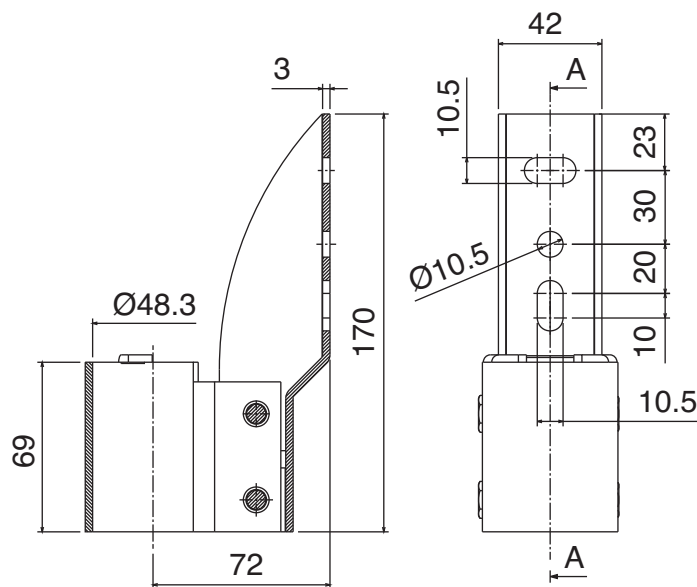
Part	Article-Nr.
408	40801

Max recommended  
tightening torque  
2,5 kg/m

Materiale:	Material:	Materialien:
Testata: Acciaio inox	Support head: stainless steel	Halter: Edelstahl
Viti e rondelle: Acciaio inox	Screws and washers: Stainless steel	Mutter: Edelstahl

Testata laterale / Side mounting top bracket / seitlicher Stützkopf

Part	Article-Nr.	ØA
409	40901	48,3



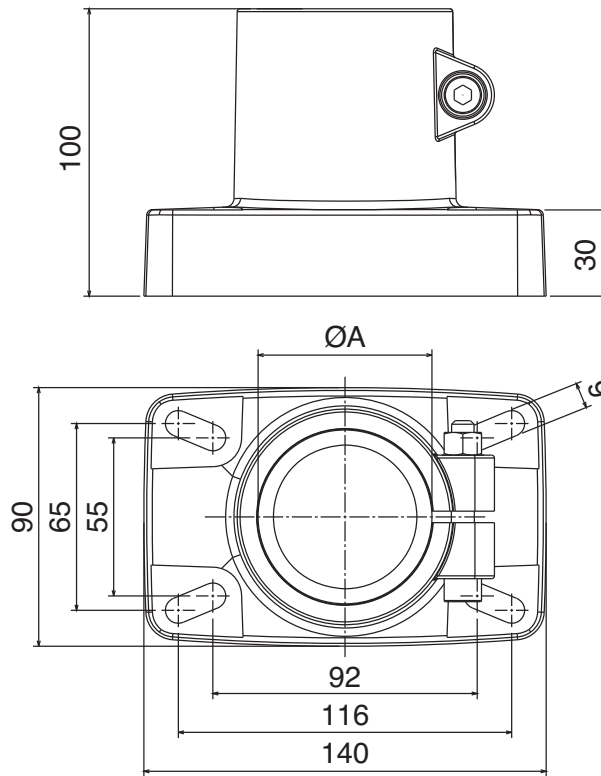
**New**

Stainless steel  
AISI 304

Materiale:	Material:	Materialien:
Testata: Poliammide	Support head: Polyamide	Halter: Polyamid
Viti e rondelle e dado:	Screws, washers and nut:	Schrauben, Scheibe und Mutter
Acciaio inox	Stainless steel	Edelstahl



### Testata d'appoggio / Support head / Stützkopf

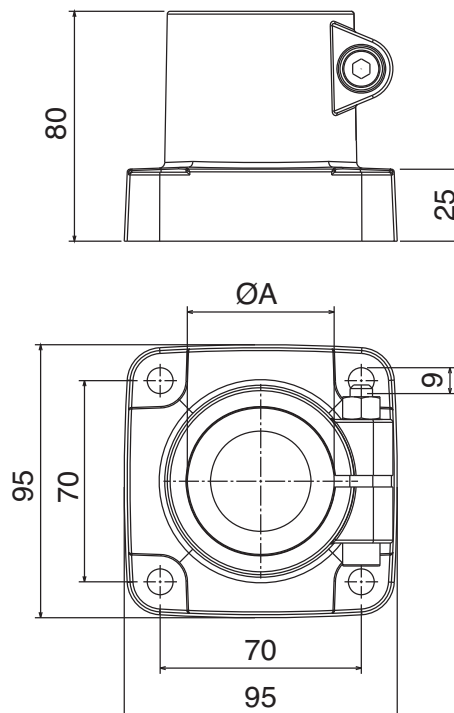


Part	Article-Nr.	ØA
410	41001	48,3
410	41002	60,3

Max recommended  
tightening torque  
3,5 kg/m



### Testata d'appoggio / Support head / Stützkopf



Part	Article-Nr.	ØA
411	41101	48,3
411	41102	50,9

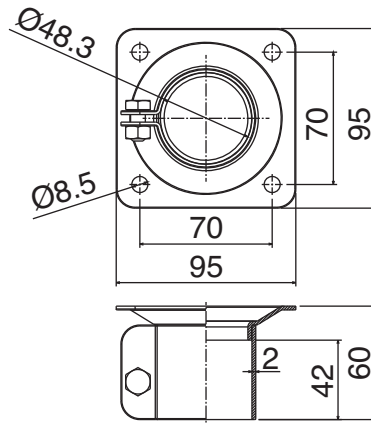
Max recommended  
tightening torque  
2 kg/m

Materiale:	Material:	Materialien:
Acciaio inox	Stainless steel	Edelstahl

Testata d'appoggio / Support head / Stützkopf

Part Article-Nr.

426 42601



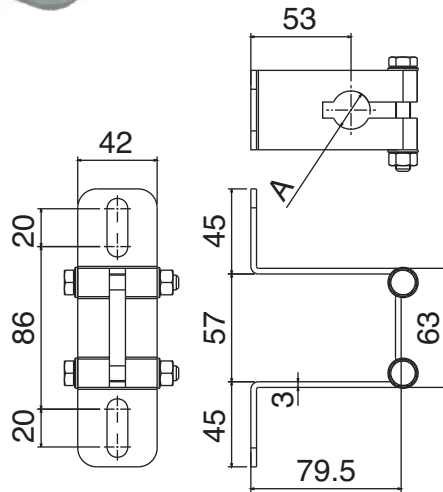
Stainless steel  
AISI 304

Materiale:	Material:	Materialien:
Acciaio inox	Stainless steel	Edelstahl

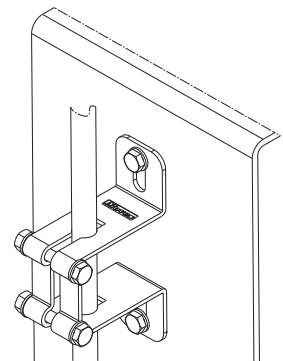


Supporto laterale / Side bracket / Seitenhalter

Part	Article-Nr.	A
427	42701	16
427	42702	20

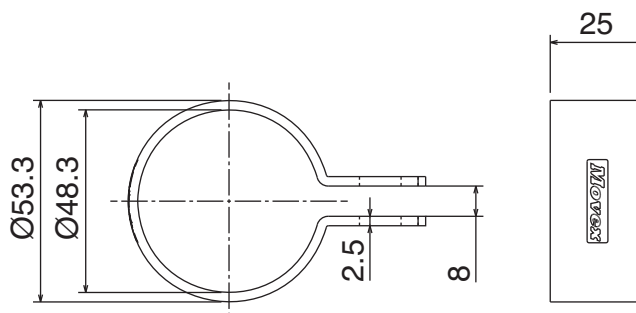


Stainless steel  
AISI 304



Morsetto a collare / Clamp collar / Klemmschelle

Part	Article-Nr.
425	42501



Stainless steel  
AISI 304



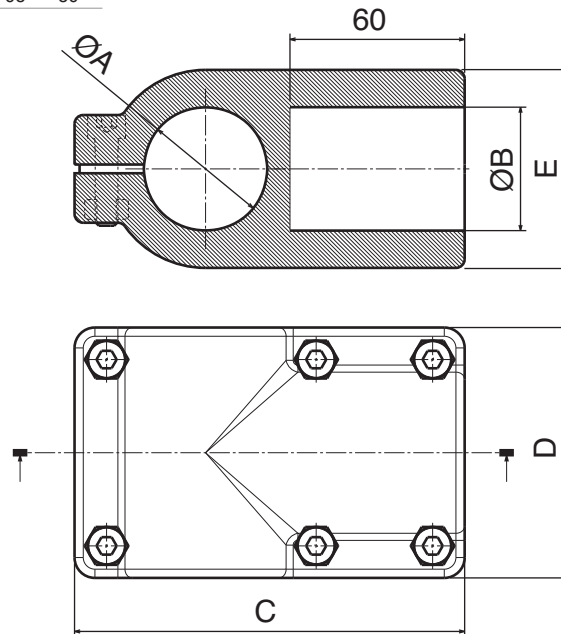
Materiale:	Material:	Materialien:
Giunto: Poliammide	Joint: Polyamide	Verbinder: Polyamid
Viti e rondelle: Acciaio inox	Screws and washers: Stainless steel	Schrauben und Scheibe: Edelstahl
Dadi: ottone nichelato	Nuts: nickel plated brass	Mutter: Messing vernickelt

Giunto di collegamento / Connecting joint / Verbindungselement



Part	Article-Nr.	ØA	ØB	C	D	E
413	41301	48,3	48,3	134	86	68
413	41302	60,3	48,3	146	98	80
413	41303	60,3	60,3	146	98	80

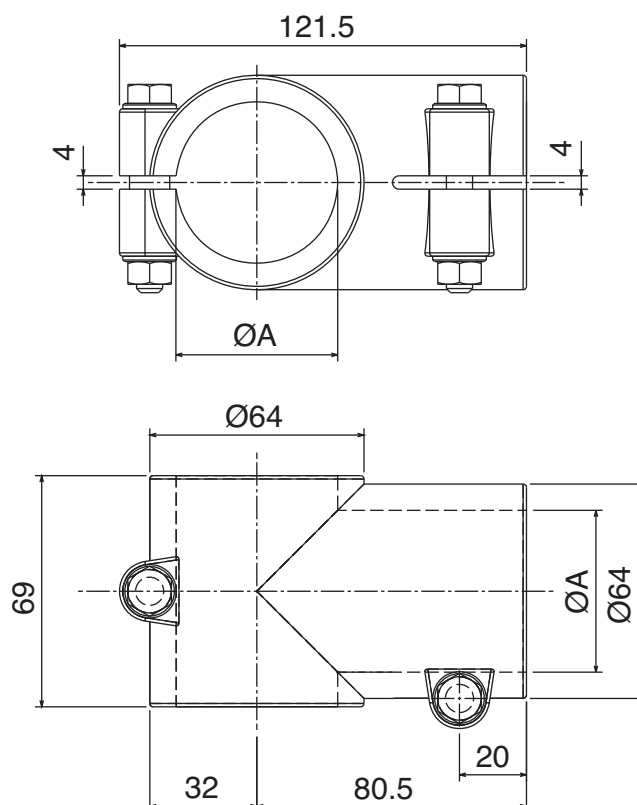
Max recommended  
tightening torque  
1,5 kg/m



Giunto di collegamento / Connecting joint / Verbindungselement



Part	Article-Nr.	ØA
417	41701	48,3
417	41702	50,9

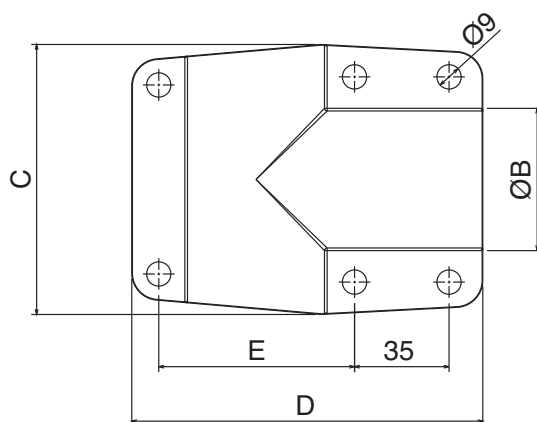
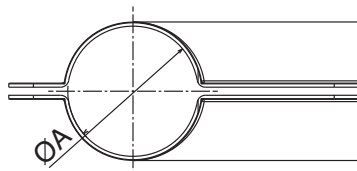


Materiale:	Material:	Materialien:
Acciaio inox	Stainless steel	Edelstahl



Giunto di collegamento (acciaio inox) / Connecting joint (SS) / Verbindungselement (Edelstahl)

Part	Article-Nr.	ØA	ØB	C	D	E
414	41401	48,3	48,3	100	130	72,5
414	41402	60,3	60,3	110	150	92,5



Stainless steel  
AISI 304

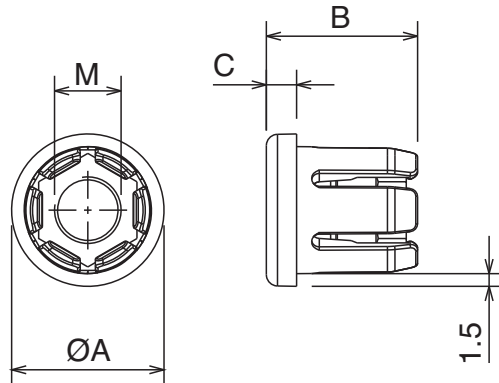


Materiale:	Material:	Materialien:
Tappo: Poliammide	Plug: Polyamide	Stopfen: Polyamid
Inseriti: PA o ottone nichelato	Inserts: PA or nickel plated brass	Einsatz: PA oder Messing vernickelt

Tappi ad espansione / Expansions plugs / Gewindezapfen, Spreizbar



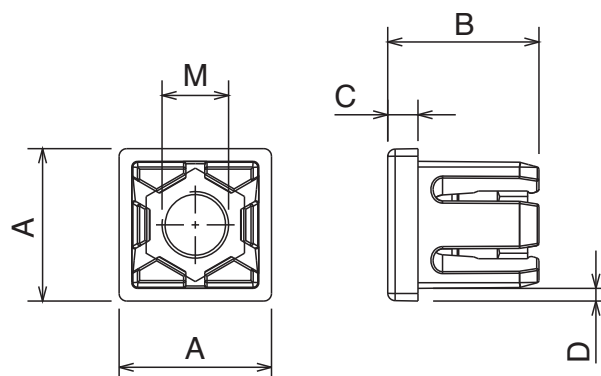
Part	Article-Nr.		ØA	B	C	M
	Brass Bush	PA Bush				
419	41901	-	20	20	4	M8
419	41902	-	20	20	4	M10
419	41903	41913	38	40	5	M8
419	41904	41914	38	40	5	M10
419	41905	41915	42,4	40	5	M8
419	41906	41916	42,4	40	5	M10

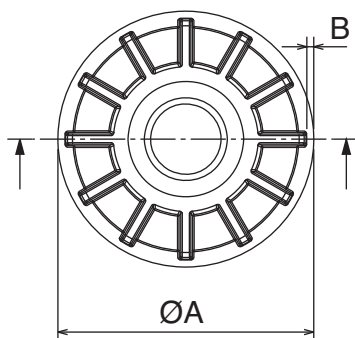
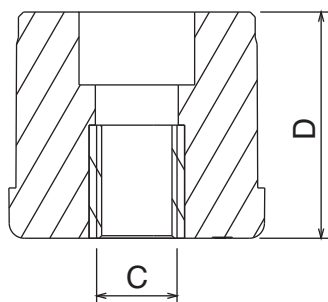


Tappi ad espansione / Expansions plugs / Gewindezapfen, Spreizbar



Part	Article-Nr.		A	B	C	D	M
	Brass Bush	PA Bush					
420	42001	-	20	20	4	1,5	M8
420	42002	-	20	20	4	1,5	M10
420	42003	-	20	20	4	2	M8
420	42004	-	20	20	4	2	M10
420	42005	42015	40	40	5	2	M8
420	42006	42016	40	40	5	2	M10





Materiale:	Material:	Materialien:
Tappo: Poliammide	Plug: Polyamide	Stopfen: Polyamid
Inserti: ottone nichelato	Inserts: nickel plated brass	Einsatz: Messing vernickelt

### Tappi tondi filettati / Threaded bushings for round tubes / Gewindezapfen f. Rund-Rohr

Part	Article-Nr.	ØA	B	C	D	Part	Article-Nr.	ØA	B	C	D
415	41507			M10	33	415	41553			M10	48
415	41508		1	M12	33	415	41554			M12	48
415	41509			M14	33	415	41555		2	M14	48
415	41510			M16	33	415	41556			M16	48
415	41511			M10	33	415	41557		48,3	M20	48
415	41512		1,5	M12	33	415	41558			M10	48
415	41513			M14	33	415	41559			M12	48
415	41514			M16	33	415	41560		2,5	M14	48
415	41515	30		M10	33	415	41561			M16	48
415	41516		2	M12	33	415	41562			M20	48
415	41517			M14	33	415	41563			M10	50
415	41518			M16	33	415	41564			M12	50
415	41519			M10	33	415	41565	50	1,5	M14	50
415	41520			M12	33	415	41503			M16	50
415	41521		2,5	M14	33	415	41504			M20	50
415	41522			M16	33	415	41566			M10	50
415	41523			M10	40	415	41567			M12	50
415	41524		1,5	M12	40	415	41568		1,5	M14	50
415	41525			M14	40	415	41569			M16	50
415	41526			M16	40	415	41570			M20	50
415	41527			M10	40	415	41571			M10	50
415	41528		2	M12	40	415	41572			M12	50
415	41529	38		M14	40	415	41573	50,9	2	M14	50
415	41530			M16	40	415	41574			M16	50
415	41531			M10	40	415	41575			M20	50
415	41532		2,5	M12	40	415	41576			M10	50
415	41533			M14	40	415	41577			M12	50
415	41534			M16	40	415	41578		2,5	M14	50
415	41535			M10	43	415	41579			M16	50
415	41536			M12	43	415	41580			M20	50
415	41537		1,5	M14	43	415	41581			M10	55
415	41538			M16	43	415	41582			M12	55
415	41539			M20	43	415	41583		1,5	M14	55
415	41540			M10	43	415	41584			M16	55
415	41541			M12	43	415	41585			M20	55
415	41542	42,4	2	M14	43	415	41586			M10	55
415	41543			M16	43	415	41587			M12	55
415	41544			M20	43	415	41588	60,3	2	M14	55
415	41545			M10	43	415	41505			M16	55
415	41546			M12	43	415	41506			M20	55
415	41547		2,5	M14	43	415	41589			M10	55
415	41548			M16	43	415	41590			M12	55
415	41549			M20	43	415	41591		2,5	M14	55
415	41550			M10	48	415	41592			M16	55
415	41551			M12	48	415	41593			M20	55
415	41552	48,3	1,5	M14	48						
415	41501			M16	48						
415	41502			M20	48						

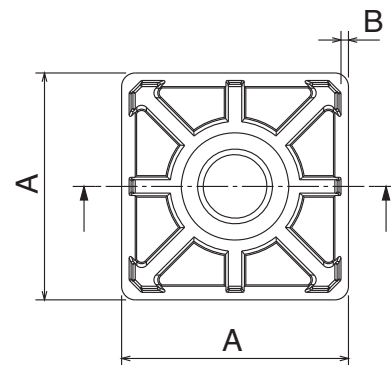
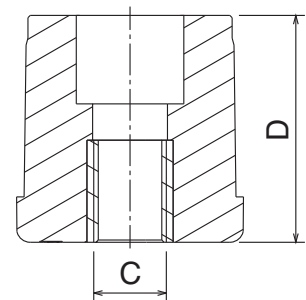
Materiale:	Material:	Materialien:
Tappo: Poliammide	Plug: Polyamide	Stopfen: Polyamid
Inseriti: ottone nichelato	Inserts: nickel plated brass	Einsatz: Messing vernickelt

Tappi quadrati filettati / Threaded bushings for square tubes / Gewindezapfen f. Vierkant-Rohr



Part	Article-Nr.	A	B	C	D
416	41601	25	1,5	M10	30
416	41602			M12	30
416	41611			M10	33
416	41603		1,5	M12	33
416	41612			M14	33
416	41604			M16	33
416	41613		30	M10	33
416	41614			M12	33
416	41615		2	M14	33
416	41616			M16	33
416	41617			M10	43
416	41618			M12	43
416	41619		1,5	M14	43
416	41620			M16	43
416	41621			M20	43
416	41622		35	M10	43
416	41623			M12	43
416	41624		2	M14	43
416	41625			M16	43
416	41626			M20	43
416	41681			M10	43
416	41682			M12	43
416	41683		1,6	M14	43
416	41684			M16	43
416	41685			M20	43
416	41686		38,1	M10	43
416	41687			M12	43
416	41688		3	M14	43
416	41689			M16	43
416	41690			M20	43
416	41627			M10	43
416	41628			M12	43
416	41629		1,2	M14	43
416	41630			M16	43
416	41631			M20	43
416	41632			M10	43
416	41605			M12	43
416	41633		1,5	M14	43
416	41606			M16	43
416	41634			M20	43
416	41635		40	M10	43
416	41636			M12	43
416	41637		2	M14	45
416	41607			M16	45
416	41608			M20	45
416	41638			M10	45
416	41639			M12	45
416	41640		2,5	M14	50
416	41641			M16	50
416	41642			M20	50

Part	Article-Nr.	A	B	C	D
416	41643			M10	50
416	41644			M12	50
416	41645		45	M14	50
416	41646			M16	50
416	41647			M20	50
416	41648			M10	50
416	41649			M12	50
416	41650		1,2	M14	50
416	41651			M16	50
416	41652			M20	50
416	41653			M10	50
416	41654			M12	50
416	41655		1,5	M14	50
416	41656			M16	50
416	41657			M20	50
416	41658			M10	50
416	41659			M12	50
416	41660		50	M14	50
416	41609			M16	50
416	41610			M20	50
416	41661			M10	50
416	41662			M12	50
416	41663		2,5	M14	55
416	41664			M16	55
416	41665			M20	55
416	41666			M10	55
416	41667			M12	55
416	41668		3	M14	55
416	41669			M16	55
416	41670			M20	55
416	41671			M10	55
416	41672			M12	55
416	41673		2	M14	
416	41674			M16	
416	41675			M20	
416	41676		60	M10	
416	41677			M12	
416	41678		3	M14	
416	41679			M16	
416	41680			M20	

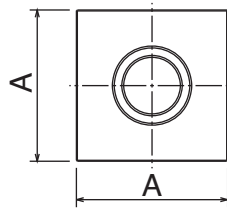
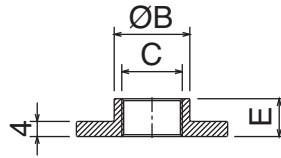


Materiale:	Material:	Materialien:
Tappi: Acciaio Inox	Plug: SS	Stopfen: Edelstahl



Tappi quadri filettati / Threaded bushings for square tube / Gewindezapfen f. Vierkant-Rohr

Part	Article-Nr.	A	C	ØB	E
428	42801	40	M16	20	10
428	42802	40	M20	23	11,5
428	42803	45	M16	20	10
428	42804	45	M20	23	11,5
428	42805	50	M16	20	10
428	42806	50	M20	23	11,5
428	42807	60	M16	20	10
428	42808	60	M20	23	11,5

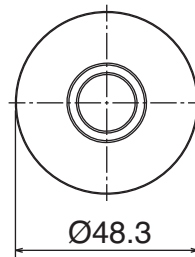
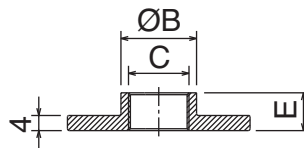


Stainless steel  
 AISI 304



Tappi tondi filettati / Threaded bushings for round tube / Gewindezapfen f. Rund-Rohr

Part	Article-Nr.	C	ØB	E
429	42901	M16	20	10
429	42902	M20	23	11,5

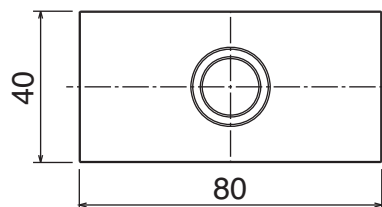
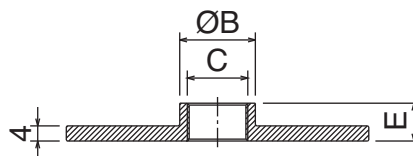


Stainless steel  
 AISI 304



Tappi rettangolari filettati / Threaded bushings for rectangular tube / Gewindezapfen f. Rechteck

Part	Article-Nr.	C	ØB	E
430	43001	M16	20	10
430	43002	M20	23	11,5



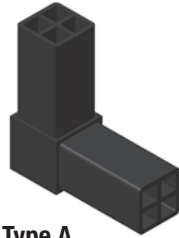
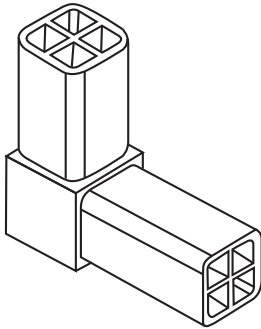
Stainless steel  
 AISI 304

Materiale:	Material:	Materialien:
Poliamide	Polyamide	Polyamid

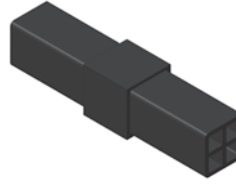
Giunto di collegamento / Connecting joint / Verbindungselement

Part	Article-Nr.	Type
418	41801	A
418	41802	B
418	41803	C
418	41804	D
418	41805	E
418	41806	F
418	41807	G
418	41808	H

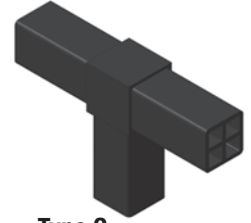
For tubes  
25x25x1,5 mm



Type A



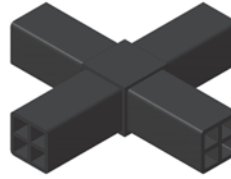
Type B



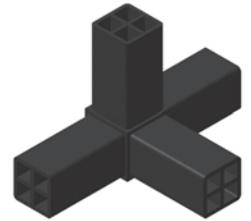
Type C



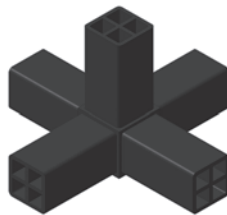
Type D



Type E



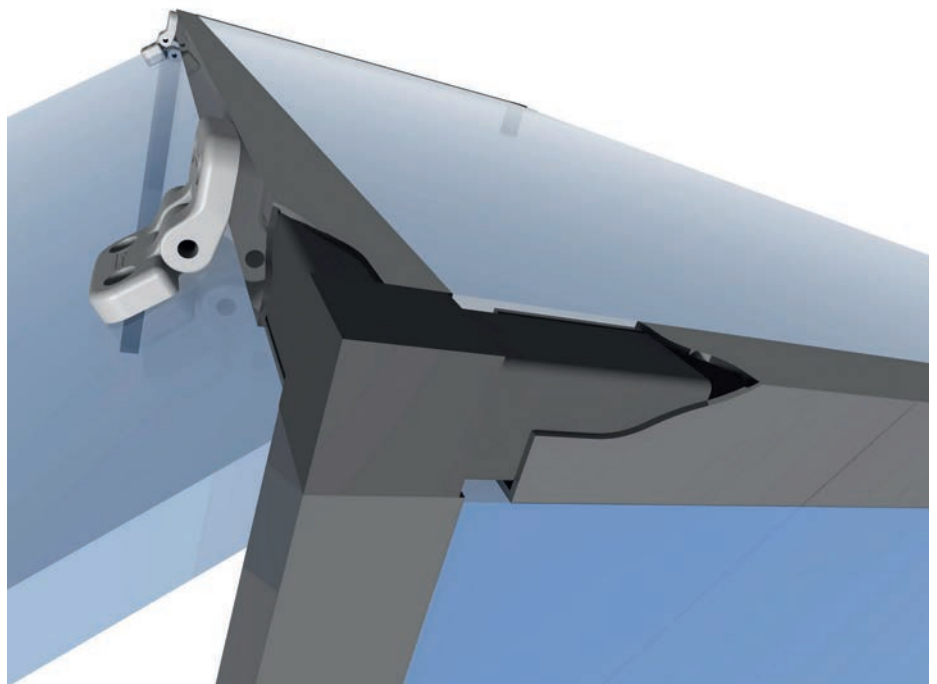
Type F



Type G



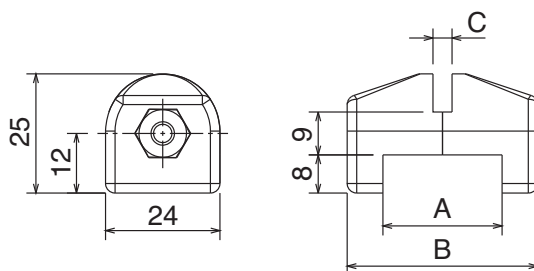
Type H



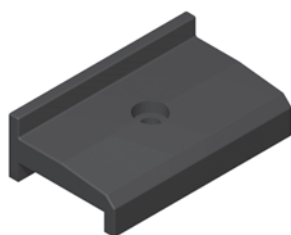
Materiale:	Material:	Materialien:
Poliammide	Polyamide	Polyamid



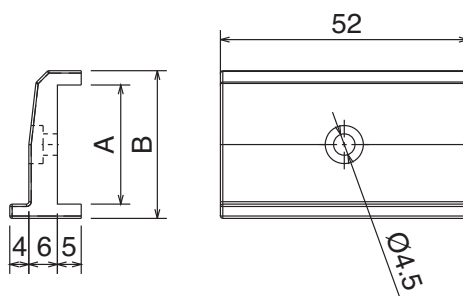
### Blocco per pannelli / Panel clamp / Panelklemme



Part	Article-Nr.	A	B	C
421	42101	25	40	4
421	42102	25	40	5
421	42103	25	40	6
421	42104	30	45	4
421	42105	30	45	5
421	42106	30	45	6



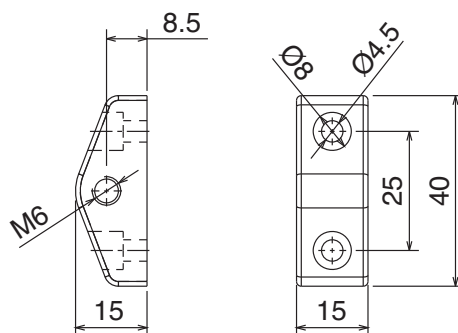
### Fermaporta / Door stop / Türstopper



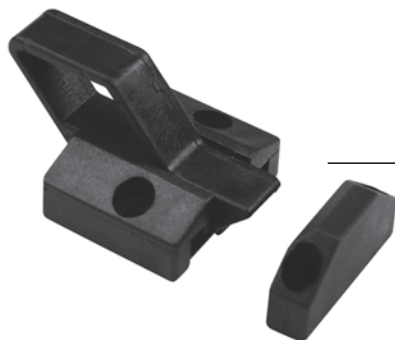
Part	Article-Nr.	A	B
422	42201	25	31



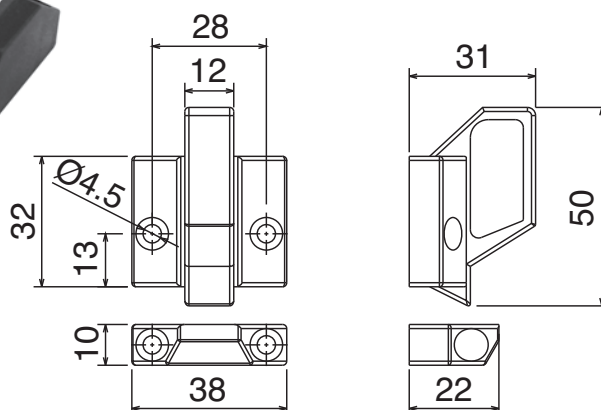
### Blocchetto di fissaggio / Fixing lock / Anschlag



Part	Article-Nr.
423	42301



### Fermaporta a molla / Spring loaded latch / Türverschluss



Part	Article-Nr.
424	42401



# bearing supports

## UCFL Series



## UCF Series



## UCFA Series



## UCF-H / UCFL-H Series



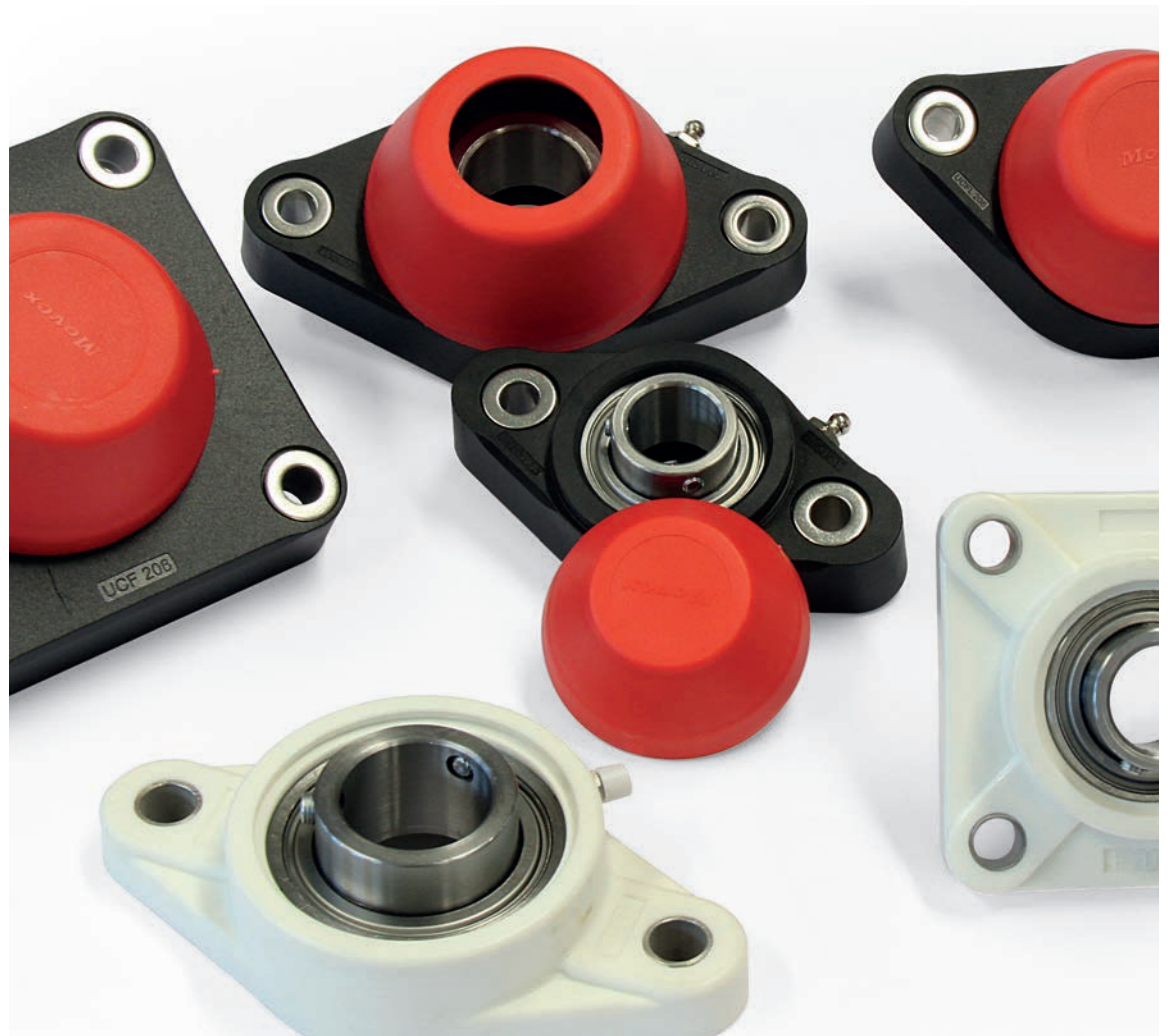
## CL / CS Series



## FL / F / FB Series



## SUCFL / SUCF / SUCFK Series





### COMPONENTI

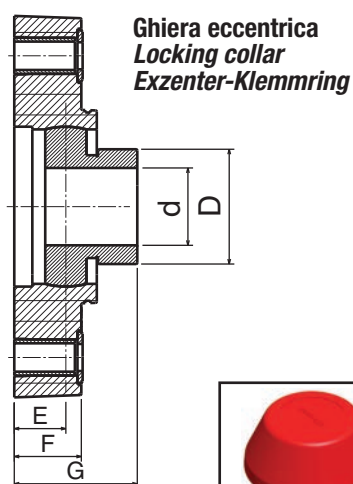
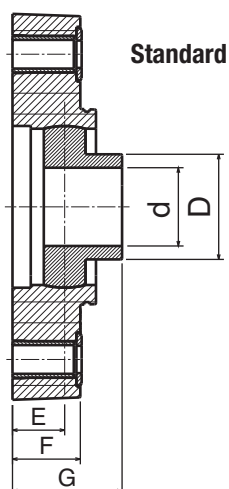
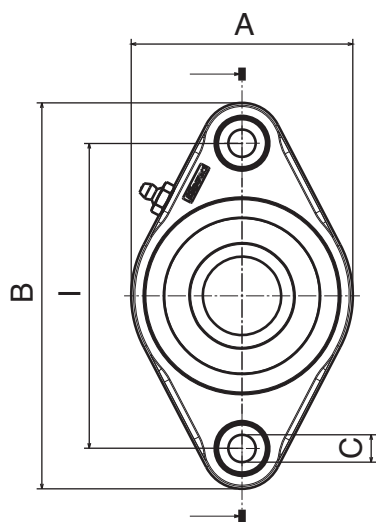
- Sede in poliammide rinforzato, con elevata resistenza meccanica e ottima resistenza contro agenti chimici corrosivi quali acqua, oli, benzina e liquidi contenenti alcool. Tutti i nostri cuscinetti possono essere utilizzati ad una temperatura compresa fra 0°C e +80°C
- I cuscinetti sono realizzati in acciaio al cromo, disponibili anche, su richiesta, nella versione in acciaio inox. Il cuscinetto all'interno della flangia può essere regolato di 2,5°.
- L'ingrassatore viene realizzato in ferro nichelato, o in acciaio inox nella versione con il cuscinetto in acciaio inox.
- Distanziali realizzati in ottone nichelato per rinforzare il foro di fissaggio
- Rondella in acciaio inox.

### COMPONENTS

- *Housing in reinforced polyamide, with higher load capacity and good resistance to corrosive chemicals such as water, oils, petrol and alcoholic beverages. All our bearings can be used at temperatures between 0°C and +80°C.*
- *Ball bearings are made in chrome steel. They are also available, upon request, in stainless steel. Max misalignment between shaft and housing: 2.5°.*
- *Grease nipple are made in nickel plated steel, but they can also be made in stainless steel on the stainless steel bearing.*
- *Spacers from nickel plated brass to reinforce fixing holes.*
- *Washer stainless steel.*

### KOMPONENTEN

- *Gehäuse gefertigt aus verstärktem Polyamid. Dies gewährleistet eine gute Widerstandsfähigkeit gegenüber mechanischen Einflüssen und eine gute Korrosionsbeständigkeit gegenüber Wasser, Ölen, Benzin, Flüssigkeiten mit Alkohol und Chemikalien. Alle unsere Gehäuse-Lagereinheiten können in einem Temperaturbereich von 0°C bis +80°C eingesetzt werden.*
- *Die Lagereinsätze sind aus Chrom-Stahl, auf Anfrage auch in Edelstahl erhältlich. Alle Lager gleichen einen Fluchtungsfehler von bis zu 2,5° selbstständig aus.*
- *Die Schmiernippel sind aus vernickeltem Stahl (aus Edelstahl wenn die Ausführung mit Edelstahl Einsatz gefragt ist).*
- *Alle Distanzstücke sind aus vernickeltem Messing und verstärken die Befestigungsbohrungen*
- *Alle Unterlegscheiben aus Edelstahl.*



Inserto standard / Standard insert / Standard-Flanschlager

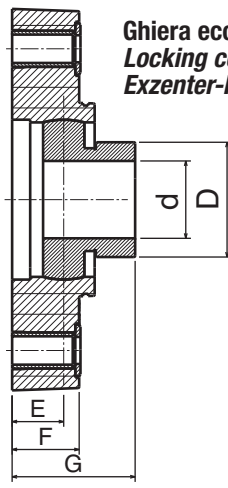
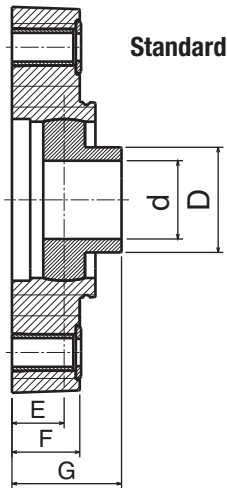
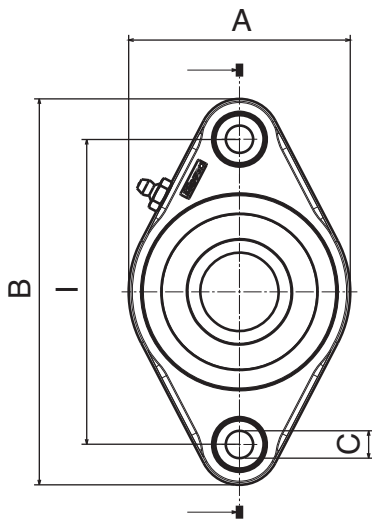
Part	Article-Nr.	Series	d	l	A	B	C	D	E	F	G	Article-Nr.
801	80110	UCFL204	20	90	62	116	11	29	16	20	34	89004
801	80100	UCFL204	20	90	71	130	11	29	17,5	22,5	33,5	89001
801	80121	UCFL205/90	25	90	85	116	11	34	14,5	20	34	89005
801	80101	UCFL205/90	25	90	71	130	11	34	16,8	22,5	36,3	89001
801	80111	UCFL205	25	99	71	130	11	34	16,8	22,5	36,3	89001
801	80122	UCFL206/90	30	90	85	116	11	40,3	14,5	20	36,5	89005
801	80132	UCFL206/99	30	99	85	130	11	40,3	20	26	42	89002
801	80102	UCFL206/99	30	99	85	148	11	40,3	20	26	42	89002
801	80112	UCFL206	30	117	85	148	11	40,3	20	26	42	89002
801	80103	UCFL207/117	35	117	93	148	11	48	19,5	26	43	89003
801	80113	UCFL207	35	130	93	162	11	48	19,5	26	43	89003
801	80104	UCFL208/117	40	117	93	148	11	53	19	26	44	89003
801	80114	UCFL208	40	130	93	162	11	53	19	26	44	89003

Inserto standard / Standard insert / Standard-Flanschlager

Part	Article-Nr.	Series	d	l	A	B	C	D	E	F	G	Article-Nr.
801	80110SS	UCFL204	20	90	62	116	11	29	16	20	34	89004
801	80100SS	UCFL204	20	90	71	130	11	29	17,5	22,5	33,5	89001
801	80121SS	UCFL205/90	25	90	85	116	11	34	14,5	20	34	89005
801	80101SS	UCFL205/90	25	90	71	130	11	34	16,8	22,5	36,3	89001
801	80111SS	UCFL205	25	99	71	130	11	34	16,8	22,5	36,3	89001
801	80122SS	UCFL206/90	30	90	85	116	11	40,3	14,5	20	36,5	89005
801	80132SS	UCFL206/99	30	99	85	130	11	40,3	20	26	42	89002
801	80102SS	UCFL206/99	30	99	85	148	11	40,3	20	26	42	89002
801	80112SS	UCFL206	30	117	85	148	11	40,3	20	26	42	89002
801	80103SS	UCFL207/117	35	117	93	148	11	48	19,5	26	43	89003
801	80113SS	UCFL207	35	130	93	162	11	48	19,5	26	43	89003
801	80104SS	UCFL208/117	40	117	93	148	11	53	19	26	44	89003
801	80114SS	UCFL208	40	130	93	162	11	53	19	26	44	89003

Inserto con ghiera eccentrica / Insert with locking collar / Flanschlager mit Exzenter-Klemmring

Part	Article-Nr.	Series	d	l	A	B	C	D	E	F	G	Article-Nr.
802	80210	UCFL204	20	90	62	116	11	33,3	16	20	39,9	89004
802	80200	UCFL204	20	90	71	130	11	33,3	17,5	22,5	41,4	89001
802	80221	UCFL205/90	25	90	85	116	11	38,1	14,5	20	37,9	89005
802	80201	UCFL205/90	25	90	71	130	11	38,1	16,8	22,5	40,2	89001
802	80211	UCFL205	25	99	71	130	11	38,1	16,8	22,5	40,2	89001
802	80222	UCFL206/90	30	90	85	116	11	44,5	14,5	20	42,2	89005
802	80232	UCFL206/99	30	99	85	130	11	44,5	20	26	47,7	89002
802	80202	UCFL206/99	30	99	85	148	11	44,5	20	26	47,7	89002
802	80212	UCFL206	30	117	85	148	11	44,5	20	26	47,7	89002
802	80203	UCFL207/117	35	117	93	148	11	55,6	19,5	26	49,9	89003
802	80213	UCFL207	35	130	93	162	11	55,6	19,5	26	49,9	89003
802	80204	UCFL208/117	40	117	93	148	11	60,3	19	26	53,7	89003
802	80214	UCFL208	40	130	93	162	11	60,3	19	26	53,7	89003



**Solid Housing**



**Inserto standard / Standard insert / Standard-Flanschlager**

	Part	Article-Nr.	Series	d	l	A	B	C	D	E	F	G	Article-Nr.
Chrome steel	822	82210	UCFL204	20	90	62	116	11	29	16	20	34	89004
	822	82211	UCFL205	25	99	71	130	11	34	16,8	22,5	36,3	89001
	822	82212	UCFL206	30	117	85	148	11	40,3	20	26	42	89002
	822	82213	UCFL207	35	130	93	162	11	48	19,5	26	43	89003
	822	82204	UCFL208/117	40	117	93	148	11	53	19	26	44	89003

**Inserto standard / Standard insert / Standard-Flanschlager**

	Part	Article-Nr.	Series	d	l	A	B	C	D	E	F	G	Article-Nr.
Stainless steel	822	82210SS	UCFL204	20	90	62	116	11	29	16	20	34	89004
	822	82211SS	UCFL205	25	99	71	130	11	34	16,8	22,5	36,3	89001
	822	82212SS	UCFL206	30	117	85	148	11	40,3	20	26	42	89002
	822	82213SS	UCFL207	35	130	93	162	11	48	19,5	26	43	89003
	822	82204SS	UCFL208/117	40	117	93	148	11	53	19	26	44	89003

**Inserto con ghiera eccentrica / Insert with locking collar / Flanschlager mit Exzenter-Klemmring**

	Part	Article-Nr.	Series	d	l	A	B	C	D	E	F	G	Article-Nr.
Chrome steel	823	82310	UCFL204	20	90	62	116	11	33,3	16	20	39,9	89004
	823	82311	UCFL205	25	99	71	130	11	38,1	16,8	22,5	40,2	89001
	823	82312	UCFL206	30	117	85	148	11	44,5	20	26	47,7	89002
	823	82313	UCFL207	35	130	93	162	11	55,6	19,5	26	49,9	89003
	822	82304	UCFL208/117	40	117	93	148	11	60,3	19	26	53,7	89003



### COMPONENTI

- Sede in poliammide rinforzato, con elevata resistenza meccanica e ottima resistenza contro agenti chimici corrosivi quali acqua, oli, benzina e liquidi contenenti alcool. Tutti i nostri cuscinetti possono essere utilizzati ad una temperatura compresa fra 0°C e +80°C.
- I cuscinetti sono realizzati in acciaio al cromo, disponibili anche, su richiesta, nella versione in acciaio inox. Il cuscinetto all'interno della flangia può essere regolato di 2,5°.
- L'ingrassatore viene realizzato in ferro nichelato, o in acciaio inox nella versione con il cuscinetto in acciaio inox.
- Distanziali realizzati in ottone nichelato per rinforzare il foro di fissaggio.
- Rondella in acciaio inox.
- Coperchio di sicurezza in PP.
- Anello di tenuta in gomma NBR.
- O-ring in NBR rubber.

### COMPONENTS

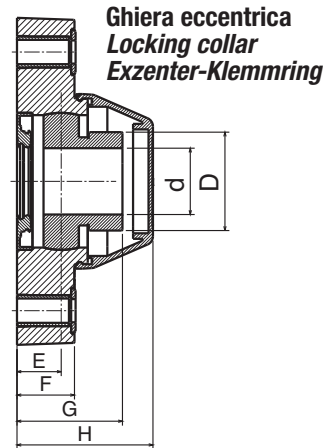
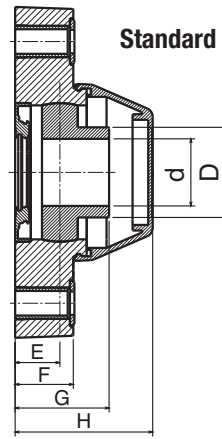
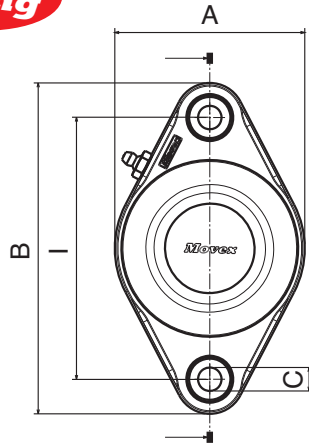
- *Housing in reinforced polyamide, with higher load capacity and good resistance to corrosive chemicals such as water, oils, petrol and alcoholic beverages. All our bearings can be used at temperatures between 0°C and +80°C.*
- *Ball bearings are made in chrome steel. They are also available, upon request, in stainless steel. Max misalignment between shaft and housing: 2.5°.*
- *Grease nipple are made in nickel plated steel, but they can also be made in stainless steel on the stainless steel bearing.*
- *Spacers from nickel plated brass to reinforce fixing holes.*
- *Washer stainless steel.*
- *Clip-on safety cap in PP.*
- *Rotary shaft seal ring in NBR rubber.*
- *O-ring in NBR rubber.*

### KOMPONENTEN

- *Gehäuse gefertigt aus verstärktem Polyamid. Dies gewährleistet eine gute Widerstandsfähigkeit gegenüber mechanischen Einflüssen und eine gute Korrosionsbeständigkeit gegenüber Wasser, Ölen, Benzin, Flüssigkeiten mit Alkohol und Chemikalien. Alle unsere Gehäuse-Lagereinheiten können in einem Temperaturbereich von 0°C bis +80°C eingesetzt werden.*
- *Die Lagereinsätze sind aus Chrom-Stahl, auf Anfrage auch in Edelstahl erhältlich. Alle Lager gleichen eine Fluchtungsfehler von bis zu 2,5° selbstständig aus.*
- *Die Schmiernippel sind aus vernickeltem Stahl (aus Edelstahl wenn die Ausführung mit Edelstahl Einsatz gefragt ist).*
- *Alle Distanzstücke sind aus vernickeltem Messing und verstärken die Befestigungsbohrungen*
- *Alle Unterlegscheiben aus Edelstahl.*
- *Schutzkappe aus PP*
- *Dichtringe aus NBR-Gummi*
- *O-Ringe aus NBR-Gummi*



**Solid Housing**



Inserto standard, con guarnizioni, versione aperta e chiusa / Standard insert, sealed, open and close version / Standard-Flanschlager, abgedichtet, offene und geschlossene Version

	Part	Art-close	Part	Art-open	Series	d	l	A	B	C	D	E	F	G	H
Chrome steel	824	82410	825	82510	UCFL204	20	90	62	116	11	29	16	20	34	51,5
	824	82411	825	82511	UCFL205	25	99	71	130	11	34	16,8	22,5	36,3	52
	824	82412	825	82512	UCFL206	30	117	85	148	11	40,3	20	26	42	61,5
	824	82413	825	82513	UCFL207	35	130	93	162	11	48	19,5	26	43	66,5
	824	82404	825	82504	UCFL208/117	40	117	93	148	11	53	19	26	44	66,5

Inserto standard, con guarnizioni, versione aperta e chiusa / Standard insert, sealed, open and close version / Standard-Flanschlager, abgedichtet, offene und geschlossene Version

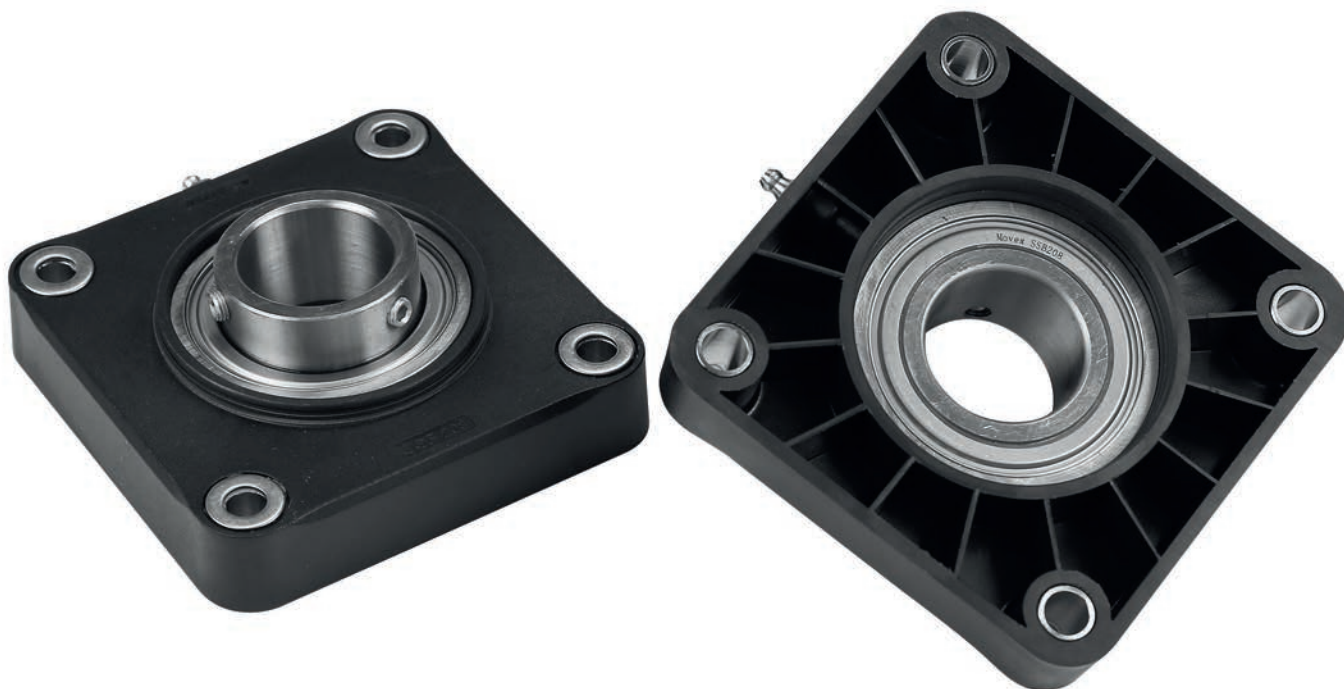
	Part	Art-close	Part	Art-open	Series	d	l	A	B	C	D	E	F	G	H
Stainless steel	824	82410SS	825	82510SS	UCFL204	20	90	62	116	11	29	16	20	34	51,5
	824	82411SS	825	82511SS	UCFL205	25	99	71	130	11	34	16,8	22,5	36,3	52
	824	82412SS	825	82512SS	UCFL206	30	117	85	148	11	40,3	20	26	42	61,5
	824	82413SS	825	82513SS	UCFL207	35	130	93	162	11	48	19,5	26	43	66,5
	824	82404SS	825	82504SS	UCFL208/117	40	117	93	148	11	53	19	26	44	66,5

Inserto "long life", con guarnizioni, versione aperta e chiusa / "Long life" insert, sealed, open and close version / "Long Life"-Flanschlager, abgedichtet, offene und geschlossene Version

	Part	Art-close	Part	Art-open	Series	d	l	A	B	C	D	E	F	G	H
Chrome steel	824	82410L	825	82510L	UCFL204	20	90	62	116	11	29	16	20	34	51,5
	824	82411L	825	82511L	UCFL205	25	99	71	130	11	34	16,8	22,5	36,3	52
	824	82412L	825	82512L	UCFL206	30	117	85	148	11	40,3	20	26	42	61,5
	824	82413L	825	82513L	UCFL207	35	130	93	162	11	48	19,5	26	43	66,5
	824	82404L	825	82504L	UCFL208/117	40	117	93	148	11	53	19	26	44	66,5

Inserto con ghiera eccentrica, guarnizioni, versione aperta e chiusa / Insert with locking collar, sealed, open and close version / Flanschlager mit Exzenter-Klemmring, abgedichtet, offene und geschlossene Version

	Part	Art-close	Part	Art-open	Series	d	l	A	B	C	D	E	F	G	H
Chrome steel	826	82610	827	82710	UCFL204	20	90	62	116	11	33,3	16	20	39,9	51,5
	826	82611	827	82711	UCFL205	25	99	71	130	11	38,1	16,8	22,5	40,2	52
	826	82612	827	82712	UCFL206	30	117	85	148	11	44,5	20	26	47,7	61,5
	826	82613	827	82713	UCFL207	35	130	93	162	11	55,6	19,5	26	49,9	66,5
	826	82604	827	82704	UCFL208/117	40	117	93	148	11	60,3	19	26	53,7	66,5



### COMPONENTI

- Sede in poliammide rinforzato, con elevata resistenza meccanica e ottima resistenza contro agenti chimici corrosivi quali acqua, oli, benzina e liquidi contenenti alcool. Tutti i nostri cuscinetti possono essere utilizzati ad una temperatura compresa fra 0°C e +80°C
- I cuscinetti sono realizzati in acciaio al cromo, disponibili anche, su richiesta, nella versione in acciaio inox. Il cuscinetto all'interno della flangia può essere regolato di 2,5°.
- L'ingrassatore viene realizzato in ferro nichelato, o in acciaio inox nella versione con il cuscinetto in acciaio inox.
- Distanziali realizzati in ottone nichelato per rinforzare il foro di fissaggio
- Rondella in acciaio inox.

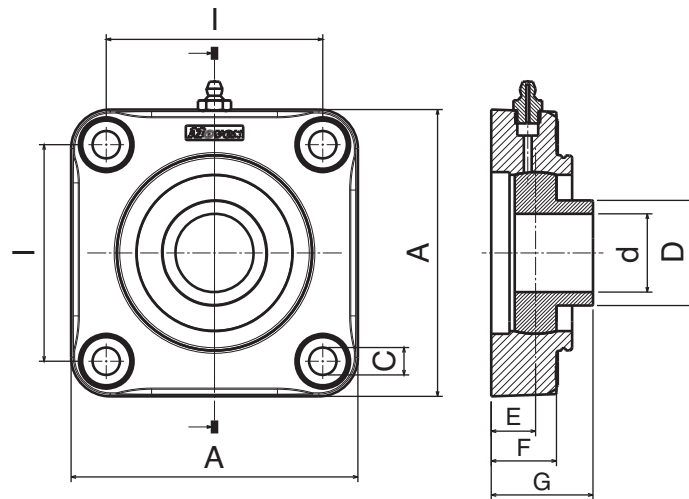
### COMPONENTS

- *Housing in reinforced polyamide, with higher load capacity and good resistance to corrosive chemicals such as water, oils, petrol and alcoholic beverages. All our bearings can be used at temperatures between 0°C and +80°C.*
- *Ball bearings are made in chrome steel. They are also available, upon request, in stainless steel. Max misalignment between shaft and housing: 2.5°.*
- *Grease nipple are made in nickel plated steel, but they can also be made in stainless steel on the stainless steel bearing.*
- *Spacers from nickel plated brass to reinforce fixing holes.*
- *Washer stainless steel.*

### KOMPONENTEN

- *Gehäuse gefertigt aus verstärktem Polyamid. Dies gewährleistet eine gute Widerstandsfähigkeit gegenüber mechanischen Einflüssen und eine gute Korrosionsbeständigkeit gegenüber Wasser, Ölen, Benzin, Flüssigkeiten mit Alkohol und Chemikalien. Alle unsere Gehäuse-Lagereinheiten können in einem Temperaturbereich von 0°C bis +80°C eingesetzt werden.*
- *Die Lagereinsätze sind aus Chrom-Stahl, auf Anfrage auch in Edelstahl erhältlich. Alle Lager gleichen einen Fluchtungsfehler von bis zu 2,5° selbstständig aus.*
- *Die Schmiernippel sind aus vernickeltem Stahl (aus Edelstahl wenn die Ausführung mit Edelstahl Einsatz gefragt ist).*
- *Alle Distanzstücke sind aus vernickeltem Messing und verstärken die Befestigungsbohrungen*
- *Alle Unterlegscheiben aus Edelstahl.*



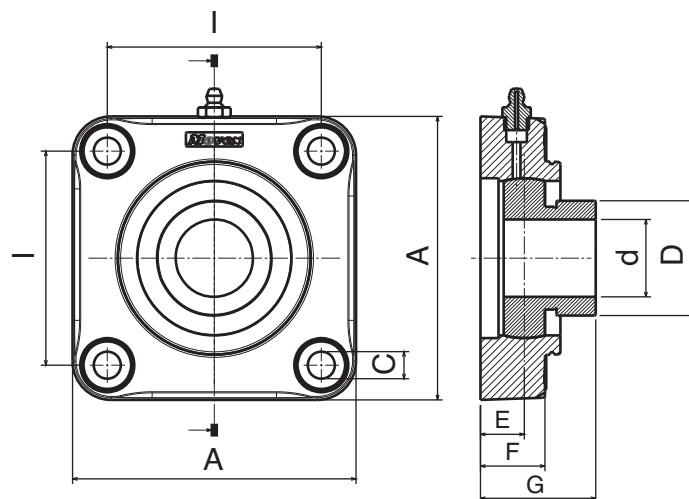


Inserto standard / Standard insert / Standard-Flanschlager

Chrome steel	Part	Article-Nr.	Series	d	I	A	C	D	E	F	G	Article-Nr.
	807	80701	UCF205	25	70	98	11	34	16	22	35,5	89001
	807	80702	UCF206	30	83	110	11	40,3	17	25	39	89002
	807	80703	UCF207/83	35	83	110	11	48	20	25	43,5	89003
	807	80713	UCF207	35	92	118	11	48	20	25	43,5	89003
	807	80704	UCF208/83	40	83	110	11	53	19,5	25	44,5	89003
	807	80714	UCF208	40	102	130	11	53	19	25	44	89003

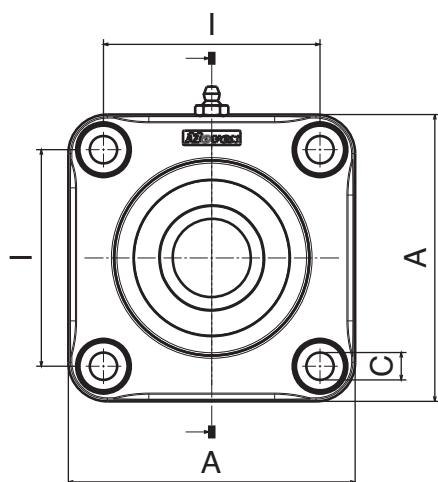
Inserto standard / Standard insert / Standard-Flanschlager

Stainless steel	Part	Article-Nr.	Series	d	I	A	C	D	E	F	G	Article-Nr.
	807	80701SS	UCF205	25	70	98	11	34	16	22	35,5	89001
	807	80702SS	UCF206	30	83	110	11	40,3	17	25	39	89002
	807	80703SS	UCF207/83	35	83	110	11	48	20	25	43,5	89003
	807	80713SS	UCF207	35	92	118	11	48	20	25	43,5	89003
	807	80704SS	UCF208/83	40	83	110	11	53	19,5	25	44,5	89003
	807	80714SS	UCF208	40	102	130	11	53	19	25	44	89003



Inserto con ghiera eccentrica / Insert with locking collar / Flanschlager mit Exzenter-Klemmring

Chrome steel	Part	Article-Nr.	Series	d	I	A	C	D	E	F	G	Article-Nr.
	808	80801	UCF205	25	70	98	11	38,1	16	22	39,4	89001
	808	80802	UCF206	30	83	110	11	44,5	17	25	44,7	89002
	808	80803	UCF207/83	35	83	110	11	55,6	20	25	50,4	89003
	808	80813	UCF207	35	92	118	11	55,6	20	25	50,4	89003
	808	80804	UCF208/83	40	83	110	11	60,3	19,5	25	54,2	89003
	808	80814	UCF208	40	102	130	11	60,3	19	25	53,7	89003



**Solid Housing**



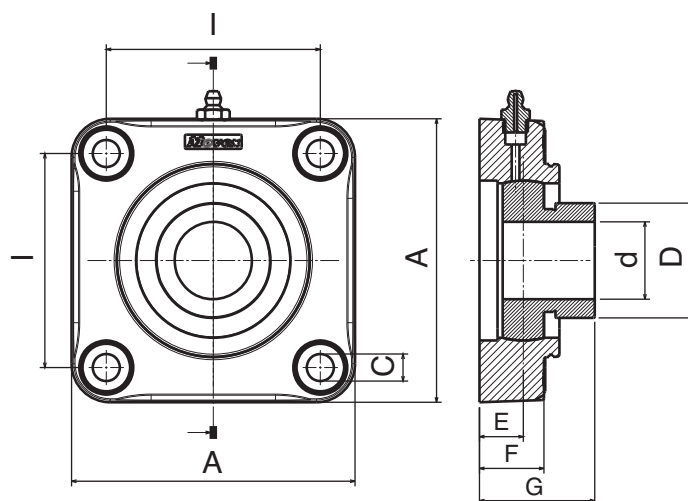
Safety Cap

*Inserto standard / Standard insert / Standard-Flanschlager*

Chrome steel	Part	Article-Nr.	Series	d	I	A	C	D	E	F	G	Article-Nr.
	828	82801	UCF205	25	70	98	11	34	16	22	35,5	89001
	828	82802	UCF206	30	83	110	11	40,3	17	25	39	89002
	828	82813	UCF207	35	92	118	11	48	20	25	43,5	89003
	828	82804	UCF208/83	40	83	110	11	53	19,5	25	44,5	89003

*Inserto standard / Standard insert / Standard-Flanschlager*

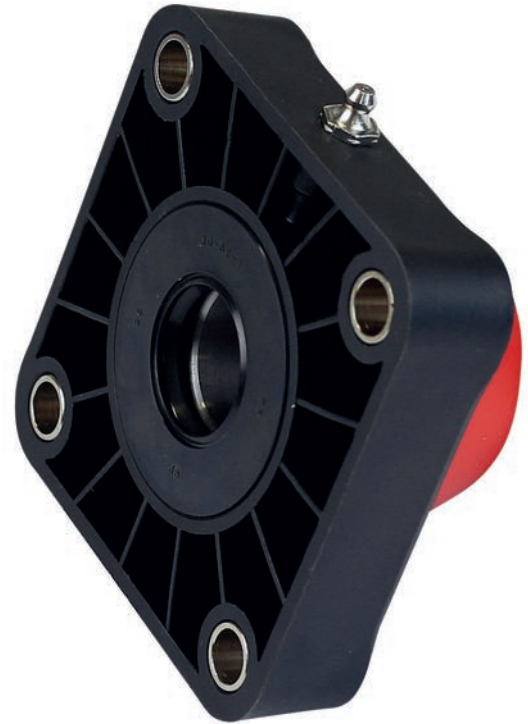
Stainless steel	Part	Article-Nr.	Series	d	I	A	C	D	E	F	G	Article-Nr.
	828	82801SS	UCF205	25	70	98	11	34	16	22	35,5	89001
	828	82802SS	UCF206	30	83	110	11	40,3	17	25	39	89002
	828	82813SS	UCF207	35	92	118	11	48	20	25	43,5	89003
	828	82804SS	UCF208/83	40	83	110	11	53	19,5	25	44,5	89003



Safety Cap

*Inserto con ghiera eccentrica / Insert with locking collar / Flanschlager mit Exzenter-Klemmring*

Chrome steel	Part	Article-Nr.	Series	d	I	A	C	D	E	F	G	Article-Nr.
	829	82901	UCF205	25	70	98	11	38,1	16	22	39,4	89001
	829	82902	UCF206	30	83	110	11	44,5	17	25	44,7	89002
	829	82913	UCF207	35	92	118	11	55,6	20	25	50,4	89003
	829	82904	UCF208/83	40	83	110	11	60,3	19,5	25	54,2	89003



### COMPONENTI

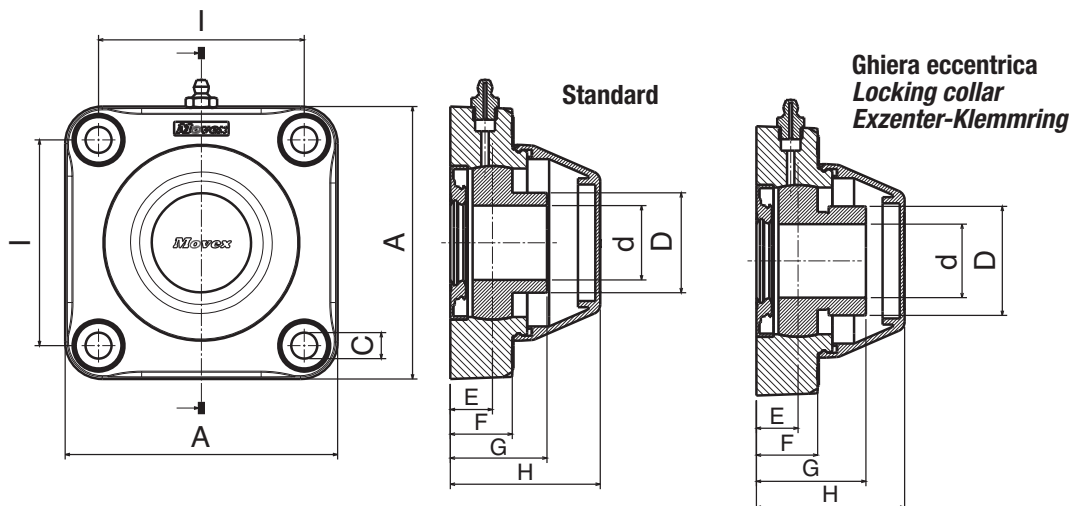
- Sede in poliammide rinforzato, con elevata resistenza meccanica e ottima resistenza contro agenti chimici corrosivi quali acqua, oli, benzina e liquidi contenenti alcool. Tutti i nostri cuscinetti possono essere utilizzati ad una temperatura compresa fra 0°C e +80°C.
- I cuscinetti sono realizzati in acciaio al cromo, disponibili anche, su richiesta, nella versione in acciaio inox. Il cuscinetto all'interno della flangia può essere regolato di 2,5°.
- L'ingrassatore viene realizzato in ferro nichelato, o in acciaio inox nella versione con il cuscinetto in acciaio inox.
- Distanziali realizzati in ottone nichelato per rinforzare il foro di fissaggio.
- Rondella in acciaio inox.
- Coperchio di sicurezza in PP.
- Anello di tenuta in gomma NBR.
- O-ring in NBR rubber.

### COMPONENTS

- *Housing in reinforced polyamide, with higher load capacity and good resistance to corrosive chemicals such as water, oils, petrol and alcoholic beverages. All our bearings can be used at temperatures between 0°C and +80°C.*
- *Ball bearings are made in chrome steel. They are also available, upon request, in stainless steel. Max misalignment between shaft and housing: 2.5°.*
- *Grease nipple are made in nickel plated steel, but they can also be made in stainless steel on the stainless steel bearing.*
- *Spacers from nickel plated brass to reinforce fixing holes.*
- *Washer stainless steel.*
- *Clip-on safety cap in PP.*
- *Rotary shaft seal ring in NBR rubber.*
- *O-ring in NBR rubber.*

### KOMPONENTEN

- *Gehäuse gefertigt aus verstärktem Polyamid. Dies gewährleistet eine gute Widerstandsfähigkeit gegenüber mechanischen Einflüssen und eine gute Korrosionsbeständigkeit gegenüber Wasser, Ölen, Benzin, Flüssigkeiten mit Alkohol und Chemikalien. Alle unsere Gehäuse-Lagereinheiten können in einem Temperaturbereich von 0°C bis +80°C eingesetzt werden.*
- *Die Lagereinsätze sind aus Chrom-Stahl, auf Anfrage auch in Edelstahl erhältlich. Alle Lager gleichen eine Fluchtungsfehler von bis zu 2,5° selbstständig aus.*
- *Die Schmiernippel sind aus vernickeltem Stahl (aus Edelstahl wenn die Ausführung mit Edelstahl Einsatz gefragt ist).*
- *Alle Distanzstücke sind aus vernickeltem Messing und verstärkten die Befestigungsbohrungen*
- *Alle Unterlegscheiben aus Edelstahl.*
- *Schutzkappe aus PP.*
- *Dichtringe aus NBR-Gummi.*
- *O-Ringe aus NBR-Gummi.*



**Inserto standard, con guarnizioni, versione aperta e chiusa / Standard insert, sealed, open and close version, Standard-Flanschlagler, abgedichtet, offene und geschlossene Version**

Chrome steel	Part	Art-close	Part	Art-open	Series	d	I	A	C	D	E	F	G	H
	809	80901	810	81001	UCF205	25	70	98	11	34	16	22	35,5	51,5
809	80902	810	81002	UCF206	30	83	110	11	40,3	17	25	39	60,5	
809	80903	810	81003	UCF207/83	35	83	110	11	48	20	25	43,5	65,5	
809	80913	810	81013	UCF207	35	92	118	11	48	20	25	43,5	65,5	
809	80904	810	81004	UCF208/83	40	83	110	11	53	19,5	25	44,5	65,5	
809	80914	810	81014	UCF208	40	102	130	11	53	19	25	44	65,5	

**Inserto standard, con guarnizioni, versione aperta e chiusa / Standard insert, sealed, open and close version, Standard-Flanschlagler, abgedichtet, offene und geschlossene Version**

Stainless steel	Part	Art-close	Part	Art-open	Series	d	I	A	C	D	E	F	G	H
	809	80901SS	810	81001SS	UCF205	25	70	98	11	34	16	22	35,5	51,5
809	80902SS	810	81002SS	UCF206	30	83	110	11	40,3	17	25	39	60,5	
809	80903SS	810	81003SS	UCF207/83	35	83	110	11	48	20	25	43,5	65,5	
809	80913SS	810	81013SS	UCF207	35	92	118	11	48	20	25	43,5	65,5	
809	80904SS	810	81004SS	UCF208/83	40	83	110	11	53	19,5	25	44,5	65,5	
809	80914SS	810	81014SS	UCF208	40	102	130	11	53	19	25	44	65,5	

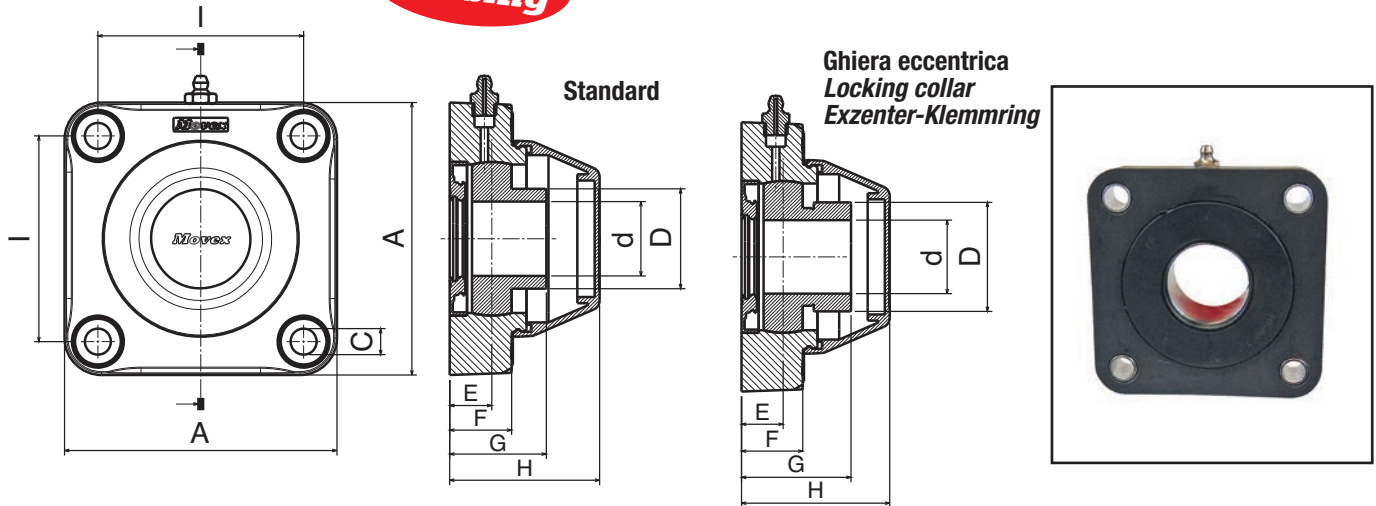
**Inserto "Long life", con guarnizioni, versione aperta e chiusa / "Long life" insert, sealed, open and close version, "Long life"-Flanschlagler, abgedichtet, offene und geschlossene Version**

Chrome steel - "Long life"	Part	Art-close	Part	Art-open	Series	d	I	A	C	D	E	F	G	H
	809	80901L	810	81001L	UCF205	25	70	98	11	34	16	22	35,5	51,5
809	80902L	810	81002L	UCF206	30	83	110	11	40,3	17	25	39	60,5	
809	80903L	810	81003L	UCF207/83	35	83	110	11	48	20	25	43,5	65,5	
809	80913L	810	81013L	UCF207	35	92	118	11	48	20	25	43,5	65,5	
809	80904L	810	81004L	UCF208/83	40	83	110	11	53	19,5	25	44,5	65,5	
809	80914L	810	81014L	UCF208	40	102	130	11	53	19	25	44	65,5	

**Inserto con ghiera eccentrica, guarnizioni, versione aperta e chiusa / Insert with locking collar, sealed, open and close version Flanschlagler mit Exzenter-Klemmring, abgedichtet, offene und geschlossene Version**

Chrome steel	Part	Art-close	Part	Art-open	Series	d	I	A	C	D	E	F	G	H
	811	81101	812	81201	UCF205	25	70	98	11	38,1	16	22	39,4	51,5
811	81102	812	81202	UCF206	30	83	110	11	44,5	17	25	44,7	60,5	
811	81103	812	81203	UCF207/83	35	83	110	11	55,6	20	25	50,4	65,5	
811	81113	812	81213	UCF207	35	92	118	11	55,6	20	25	50,4	65,5	
811	81104	812	81204	UCF208/83	40	83	110	11	60,3	19,5	25	54,2	65,5	
811	81114	812	81214	UCF208	40	102	130	11	60,3	19	25	53,7	65,5	

**Solid Housing**



**Inserto standard, con guarnizioni, versione aperta e chiusa / Standard insert, sealed, open and close version, Standard-Flanschlagler, abgedichtet, offene und geschlossene Version**

Chrome steel	Part	Art-close	Part	Art-open	Series	d	l	A	C	D	E	F	G	H
	830	83001	831	83101	UCF205	25	70	98	11	34	16	22	35,5	51,5
830	83002	831	83102	UCF206	30	83	110	11	40,3	17	25	39	60,5	
830	83013	831	83113	UCF207	35	92	118	11	48	20	25	43,5	65,5	
830	83004	831	83104	UCF208/83	40	83	110	11	53	19,5	25	44,5	65,5	

**Inserto standard, con guarnizioni, versione aperta e chiusa / Standard insert, sealed, open and close version, Standard-Flanschlagler, abgedichtet, offene und geschlossene Version**

Stainless steel	Part	Art-close	Part	Art-open	Series	d	l	A	C	D	E	F	G	H
	830	83001SS	831	83101SS	UCF205	25	70	98	11	34	16	22	35,5	51,5
830	83002SS	831	83102SS	UCF206	30	83	110	11	40,3	17	25	39	60,5	
830	83013SS	831	83113SS	UCF207	35	92	118	11	48	20	25	43,5	65,5	
830	83004SS	831	83104SS	UCF208/83	40	83	110	11	53	19,5	25	44,5	65,5	

**Inserto "Long life", con guarnizioni, versione aperta e chiusa / "Long life" insert, sealed, open and close version, "Long life"-Flanschlagler, abgedichtet, offene und geschlossene Version**

Chrome steel	Part	Art-close	Part	Art-open	Series	d	l	A	C	D	E	F	G	H
	830	83001L	831	83101L	UCF205	25	70	98	11	34	16	22	35,5	51,5
830	83002L	831	83102L	UCF206	30	83	110	11	40,3	17	25	39	60,5	
830	83013L	831	83113L	UCF207	35	92	118	11	48	20	25	43,5	65,5	
830	83004L	831	83104L	UCF208/83	40	83	110	11	53	19,5	25	44,5	65,5	

**Inserto con ghiera eccentrica, guarnizioni, versione aperta e chiusa / Insert with locking collar, sealed, open and close version Flanschlagler mit Exzenter-Klemmring, abgedichtet, offene und geschlossene Version**

Chrome steel	Part	Art-close	Part	Art-open	Series	d	l	A	C	D	E	F	G	H
	832	83201	833	83301	UCF205	25	70	98	11	38,1	16	22	39,4	51,5
832	83202	833	83302	UCF206	30	83	110	11	44,5	17	25	44,7	60,5	
832	83213	833	83313	UCF207	35	92	118	11	55,6	20	25	50,4	65,5	
832	83204	833	83304	UCF208/83	40	83	110	11	60,3	19,5	25	54,2	65,5	

NEW



## COMPONENTI

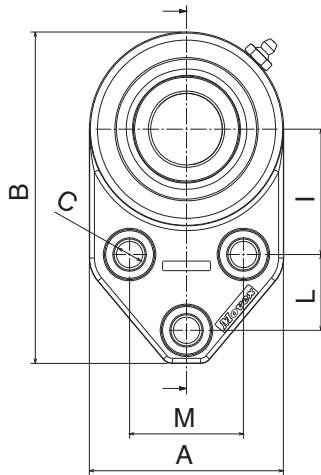
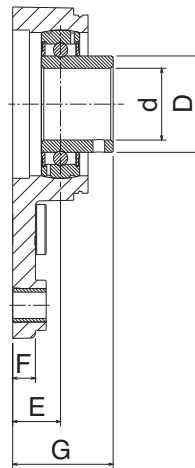
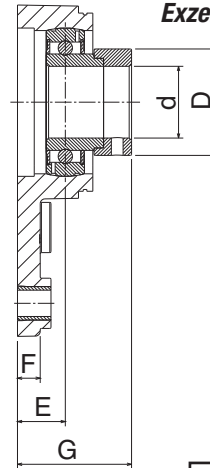
- Sede in poliammide rinforzato, con elevata resistenza meccanica e ottima resistenza contro agenti chimici corrosivi quali acqua, oli, benzina e liquidi contenenti alcool. Tutti i nostri cuscinetti possono essere utilizzati ad una temperatura compresa fra 0°C e +80°C
- I cuscinetti sono realizzati in acciaio al cromo, disponibili anche, su richiesta, nella versione in acciaio inox. Il cuscinetto all'interno della flangia può essere regolato di 2,5°.
- L'ingrassatore viene realizzato in ferro nichelato, o in acciaio inox nella versione con il cuscinetto in acciaio inox.
- Distanziali realizzati in ottone nichelato per rinforzare il foro di fissaggio
- Rondella in acciaio inox.

## COMPONENTS

- *Housing in reinforced polyamide, with higher load capacity and good resistance to corrosive chemicals such as water, oils, petrol and alcoholic beverages. All our bearings can be used at temperatures between 0°C and +80°C.*
- *Ball bearings are made in chrome steel. They are also available, upon request, in stainless steel. Max misalignment between shaft and housing: 2.5°.*
- *Grease nipple are made in nickel plated steel, but they can also be made in stainless steel on the stainless steel bearing.*
- *Spacers from nickel plated brass to reinforce fixing holes.*
- *Washer stainless steel.*

## KOMPONENTEN

- *Gehäuse gefertigt aus verstärktem Polyamid. Dies gewährleistet eine gute Widerstandsfähigkeit gegenüber mechanischen Einflüssen und eine gute Korrosionsbeständigkeit gegenüber Wasser, Ölen, Benzin, Flüssigkeiten mit Alkohol und Chemikalien. Alle unsere Gehäuse-Lagereinheiten können in einem Temperaturbereich von 0°C bis +80°C eingesetzt werden.*
- *Die Lagereinsätze sind aus Chrom-Stahl, auf Anfrage auch in Edelstahl erhältlich. Alle Lager gleichen einen Fluchtungsfehler von bis zu 2,5° selbstständig aus.*
- *Die Schmiernippel sind aus vernickeltem Stahl (aus Edelstahl wenn die Ausführung mit Edelstahl Einsatz gefragt ist).*
- *Alle Distanzstücke sind aus vernickeltem Messing und verstärken die Befestigungsbohrungen*
- *Alle Unterlegscheiben aus Edelstahl.*

**Solid  
Housing****Standard****Ghiera eccentrica  
Locking collar  
Exzenter-Klemmring****NEW****Inserto standard / Standard insert / Standard-Flanschlager**

Chrome steel	Part	Article-Nr.	Series	d	I	A	C	D	L	M	B	E	F	G	Article-Nr.
	834	83400	UCFA204	20	46	68,8	11	29,0	28,6	41,3	124,2	16,4	14	34,4	89001
	834	83401	UCFA205	25	46	68,8	11	34,0	28,6	41,3	124,2	17,8	14	37,3	89001
	834	83402	UCFA206	30	52,4	81,3	11	40,3	31,7	47,6	138,6	20	14	42	89002

**NEW****Inserto standard / Standard insert / Standard-Flanschlager**

Stainless steel	Part	Article-Nr.	Series	d	I	A	C	D	L	M	B	E	F	G	Article-Nr.
	834	83400SS	UCFA204	20	46	68,8	11	29,0	28,6	41,3	124,2	16,4	14	34,4	89001
	834	83401SS	UCFA205	25	46	68,8	11	34,0	28,6	41,3	124,2	17,8	14	37,3	89001
	834	83402SS	UCFA206	30	52,4	81,3	11	40,3	31,7	47,6	138,6	20	14	42	89002

**NEW****Inserto con ghiera eccentrica / Insert with locking collar / Flanschlager mit Exzenter-Klemmring**

Chrome steel	Part	Article-Nr.	Series	d	I	A	C	D	L	M	B	E	F	G	Article-Nr.
	835	83500	UCFA204	20	46	68,8	11	33,3	28,6	41,3	124,2	16,4	14	40,3	89001
	835	83501	UCFA205	25	46	68,8	11	38,1	28,6	41,3	124,2	17,8	14	41,2	89001
	835	83502	UCFA206	30	52,4	81,3	11	44,5	31,7	47,6	138,6	20	14	47,7	89002

NEW



## COMPONENTI

- Sede in poliammide rinforzato, con elevata resistenza meccanica e ottima resistenza contro agenti chimici corrosivi quali acqua, oli, benzina e liquidi contenenti alcool. Tutti i nostri cuscinetti possono essere utilizzati ad una temperatura compresa fra 0°C e +80°C.
- I cuscinetti sono realizzati in acciaio al cromo, disponibili anche, su richiesta, nella versione in acciaio inox. Il cuscinetto all'interno della flangia può essere regolato di 2,5°.
- L'ingrassatore viene realizzato in ferro nichelato, o in acciaio inox nella versione con il cuscinetto in acciaio inox.
- Distanziali realizzati in ottone nichelato per rinforzare il foro di fissaggio.
- Rondella in acciaio inox.
- Coperchio di sicurezza in PP.
- Anello di tenuta in gomma NBR.
- O-ring in NBR rubber.

## COMPONENTS

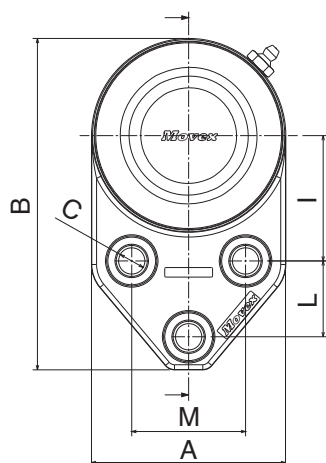
- *Housing in reinforced polyamide, with higher load capacity and good resistance to corrosive chemicals such as water, oils, petrol and alcoholic beverages. All our bearings can be used at temperatures between 0°C and +80°C.*
- *Ball bearings are made in chrome steel. They are also available, upon request, in stainless steel. Max misalignment between shaft and housing: 2.5°.*
- *Grease nipple are made in nickel plated steel, but they can also be made in stainless steel on the stainless steel bearing.*
- *Spacers from nickel plated brass to reinforce fixing holes.*
- *Washer stainless steel.*
- *Clip-on safety cap in PP.*
- *Rotary shaft seal ring in NBR rubber.*
- *O-ring in NBR rubber.*

## KOMPONENTEN

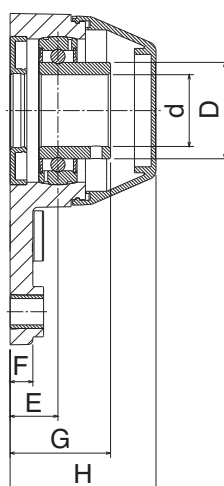
- *Gehäuse gefertigt aus verstärktem Polyamid. Dies gewährleistet eine gute Widerstandsfähigkeit gegenüber mechanischen Einflüssen und eine gute Korrosionsbeständigkeit gegenüber Wasser, Ölen, Benzin, Flüssigkeiten mit Alkohol und Chemikalien. Alle unsere Gehäuse-Lagereinheiten können in einem Temperaturbereich von 0°C bis +80°C eingesetzt werden.*
- *Die Lagereinsätze sind aus Chrom-Stahl, auf Anfrage auch in Edelstahl erhältlich. Alle Lager gleichen eine Fluchtungsfehler von bis zu 2,5° selbstständig aus.*
- *Die Schmiernippel sind aus vernickeltem Stahl (aus Edelstahl wenn die Ausführung mit Edelstahl Einsatz gefragt ist).*
- *Alle Distanzstücke sind aus vernickeltem Messing und verstärkten die Befestigungsbohrungen*
- *Alle Unterlegscheiben aus Edelstahl.*
- *Schutzkappe aus PP.*
- *Dichtringe aus NBR-Gummi.*
- *O-Ringe aus NBR-Gummi.*



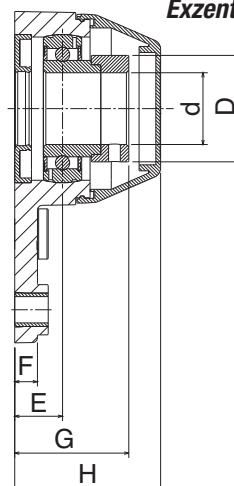
**Solid Housing**



**Standard**



**Ghiera eccentrica  
Locking collar  
Exzenter-Klemmring**



**NEW**

**Inserto standard, con guarnizioni, versione aperta e chiusa / Standard insert, sealed, open and close version,  
Standard-Flanschlager, abgedichtet, offene und geschlossene Version**

Chrome steel	Part	Art-close	Part	Art-open	Series	d	I	A	C	D	L	M	B	E	F	G	H
	836	83600	837	83700	UCFA204	20	46	68,8	11	29,0	28,6	41,3	124,2	16,4	14	34,4	51,8
836	83601	837	83701	UCFA205	25	46	68,8	11	34,0	28,6	41,3	124,2	17,8	14	37,3	51,8	
836	83602	837	83702	UCFA206	30	52,4	81,3	11	40,3	31,7	47,6	138,6	20	14	42	61	

**NEW**

**Inserto standard, con guarnizioni, versione aperta e chiusa / Standard insert, sealed, open and close version,  
Standard-Flanschlager, abgedichtet, offene und geschlossene Version**

Stainless steel	Part	Art-close	Part	Art-open	Series	d	I	A	C	D	L	M	B	E	F	G	H
	836	83600SS	837	83700SS	UCFA204	20	46	68,8	11	29,0	28,6	41,3	124,2	16,4	14	34,4	51,8
836	83601SS	837	83701SS	UCFA205	25	46	68,8	11	34,0	28,6	41,3	124,2	17,8	14	37,3	51,8	
836	83602SS	837	83702SS	UCFA206	30	52,4	81,3	11	40,3	31,7	47,6	138,6	20	14	42	61	

**NEW**

**Inserto "Long life", con guarnizioni, versione aperta e chiusa / "Long life" insert, sealed, open and close version,  
"Long life"-Flanschlager, abgedichtet, offene und geschlossene Version**

Chrome steel Long life	Part	Art-close	Part	Art-open	Series	d	I	A	C	D	L	M	B	E	F	G	H
	836	83600L	837	83700L	UCFA204	20	46	68,8	11	29,0	28,6	41,3	124,2	16,4	14	34,4	51,8
836	83601L	837	83701L	UCFA205	25	46	68,8	11	34,0	28,6	41,3	124,2	17,8	14	37,3	51,8	
836	83602L	837	83702L	UCFA206	30	52,4	81,3	11	40,3	31,7	47,6	138,6	20	14	42	61	

**NEW**

**Inserto con ghiera eccentrica, guarnizioni, versione aperta e chiusa / Insert with locking collar, sealed, open and close version  
Flanschlager mit Exzenter-Klemmring, abgedichtet, offene und geschlossene Version**

Chrome steel	Part	Art-close	Part	Art-open	Series	d	I	A	C	D	L	M	B	E	F	G	H
	838	83800	839	83900	UCFA204	20	46	68,8	11	33,3	28,6	41,3	124,2	16,4	14	40,3	51,8
838	83801	839	83901	UCFA205	25	46	68,8	11	38,1	28,6	41,3	124,2	17,8	14	41,2	51,8	
838	83802	839	83902	UCFA206	30	52,4	81,3	11	44,5	31,7	47,6	138,6	20	14	47,7	61	

COVER IN  
STAINLESS STEEL

## COMPONENTI

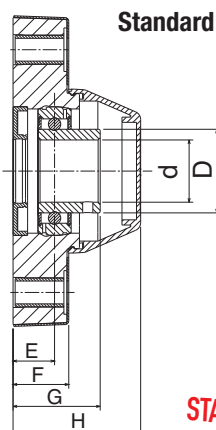
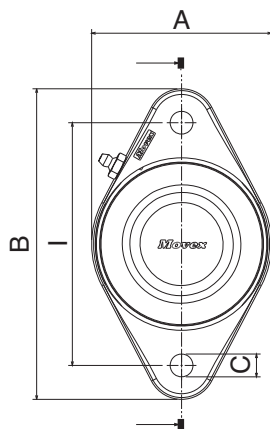
- Sede in poliammide rinforzato, con elevata resistenza meccanica e ottima resistenza contro agenti chimici corrosivi quali acqua, oli, benzina e liquidi contenenti alcool. Tutti i nostri cuscinetti possono essere utilizzati ad una temperatura compresa fra 0°C e +80°C
- I cuscinetti sono realizzati in acciaio al cromo, disponibili anche, su richiesta, nella versione in acciaio inox. Il cuscinetto all'interno della flangia può essere regolato di 2,5°.
- L'ingrassatore viene realizzato in ferro nichelato, o in acciaio inox nella versione con il cuscinetto in acciaio inox.
- Distanziali realizzati in ottone nichelato per rinforzare il foro di fissaggio
- Rondella in acciaio inox.
- **"Cover"** in acciaio inox.

## COMPONENTS

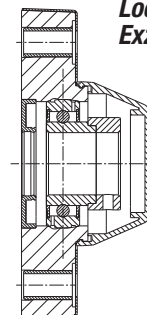
- *Housing in reinforced polyamide, with higher load capacity and good resistance to corrosive chemicals such as water, oils, petrol and alcoholic beverages. All our bearings can be used at temperatures between 0°C and +80°C.*
- *Ball bearings are made in chrome steel. They are also available, upon request, in stainless steel. Max misalignment between shaft and housing: 2.5°.*
- *Grease nipple are made in nickel plated steel, but they can also be made in stainless steel on the stainless steel bearing.*
- *Spacers from nickel plated brass to reinforce fixing holes.*
- *Washer stainless steel.*
- **"Cover"** in stainless steel

## KOMPONENTEN

- *Gehäuse gefertigt aus verstärktem Polyamid. Dies gewährleistet eine gute Widerstandsfähigkeit gegenüber mechanischen Einflüssen und eine gute Korrosionsbeständigkeit gegenüber Wasser, Ölen, Benzin, Flüssigkeiten mit Alkohol und Chemikalien. Alle unsere Gehäuse-Lagereinheiten können in einem Temperaturbereich von 0°C bis +80°C eingesetzt werden.*
- *Die Lagereinsätze sind aus Chrom-Stahl, auf Anfrage auch in Edelstahl erhältlich. Alle Lager gleichen einen Fluchtungsfehler von bis zu 2,5° selbstständig aus.*
- *Die Schmiernippel sind aus vernickeltem Stahl (aus Edelstahl wenn die Ausführung mit Edelstahl Einsatz gefragt ist).*
- *Alle Distanzstücke sind aus vernickeltem Messing und verstärken die Befestigungsbohrungen*
- *Alle Unterlegscheiben aus Edelstahl.*
- *Gehäuseabdeckung aus Edelstahl.*



Ghiera eccentrica  
Locking collar  
Exzenter-Klemmring



**Solid Housing**

**COVER IN STAINLESS STEEL**

Insero standard, con guarnizioni, versione aperta e chiusa / Standard insert, sealed, open and close version / Standard-Flanschlager, abgedichtet, offene und geschlossene Version

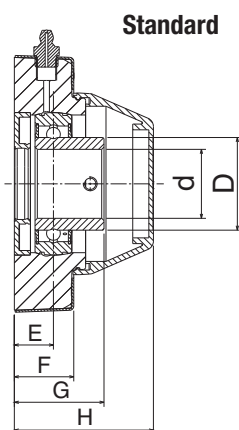
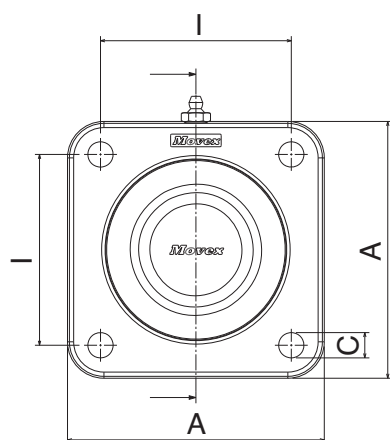
Chrome steel	Part	Art-close	Part	Art-open	Series	d	l	A	B	C	D	E	F	G	H
	824	82412H	825	82512H	UCFL-H206	30	117	86,7	149,7	11	40,3	20	26,85	42	61,5
	824	82404H	825	82504H	UCFL-H208/117	40	117	94,7	149,7	11	53	19	26,85	44	67

Insero "long life", con guarnizioni, versione aperta e chiusa / "Long life" insert, sealed, open and close version / "Long Life"-Flanschlager, abgedichtet, offene und geschlossene Version

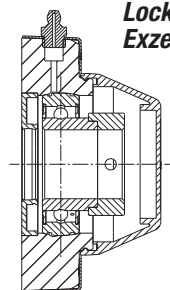
Chrome steel	Part	Art-close	Part	Art-open	Series	d	l	A	B	C	D	E	F	G	H
	824	82412LH	825	82512LH	UCFL-H206	30	117	86,7	149,7	11	40,3	20	26,85	42	61,5
	824	82404LH	825	82504LH	UCFL-H208/117	40	117	94,7	149,7	11	53	19	26,85	44	67

Insero con ghiera eccentrica, guarnizioni, versione aperta e chiusa / Insert with locking collar, sealed, open and close version / Flanschlager mit Exzenter-Klemmring, abgedichtet, offene und geschlossene Version

Chrome steel	Part	Art-close	Part	Art-open	Series	d	l	A	B	C	D	E	F	G	H
	826	82612H	827	82712H	UCFL-H206	30	117	86,7	149,7	11	44,5	20	26,85	47,7	61,5
	826	82604H	827	82704H	UCFL-H208/117	40	117	94,7	149,7	11	60,3	19	26,85	54	67



Ghiera eccentrica  
Locking collar  
Exzenter-Klemmring



**COVER IN STAINLESS STEEL**

**Solid Housing**

Insero standard, con guarnizioni, versione aperta e chiusa / Standard insert, sealed, open and close version / Standard-Flanschlager, abgedichtet, offene und geschlossene Version

Chrome steel	Part	Art-close	Part	Art-open	Series	d	l	A	C	D	E	F	G	H
	830	83002H	831	83102H	UCF-H206	30	83	111,7	11	40,3	17	25	39	60,5
	830	83004H	831	83104H	UCF-H208/83	40	83	111,7	11	53	19,5	25	44,5	65,5

Insero "long life", con guarnizioni, versione aperta e chiusa / "Long life" insert, sealed, open and close version / "Long Life"-Flanschlager, abgedichtet, offene und geschlossene Version

Chrome steel	Part	Art-close	Part	Art-open	Series	d	l	A	C	D	E	F	G	H
	830	83002LH	831	83102LH	UCF-H206	30	83	111,7	11	40,3	17	25	39	60,5
	830	83004LH	831	83104LH	UCF-H208/83	40	83	111,7	11	53	19,5	25	44,5	65,5

Insero con ghiera eccentrica, guarnizioni, versione aperta e chiusa / Insert with locking collar, sealed, open and close version / Flanschlager mit Exzenter-Klemmring, abgedichtet, offene und geschlossene Version

Chrome steel	Part	Art-close	Part	Art-open	Series	d	l	A	C	D	E	F	G	H
	832	83202H	833	83302H	UCF-H206	30	83	111,7	11	44,5	17	25	47,7	60,5
	832	83204H	833	83304H	UCF-H208/83	40	83	111,7	11	60,3	19,5	25	54,2	65,5



## EXTERNAL HOUSING IN STAINLESS STEEL



### COMPONENTI

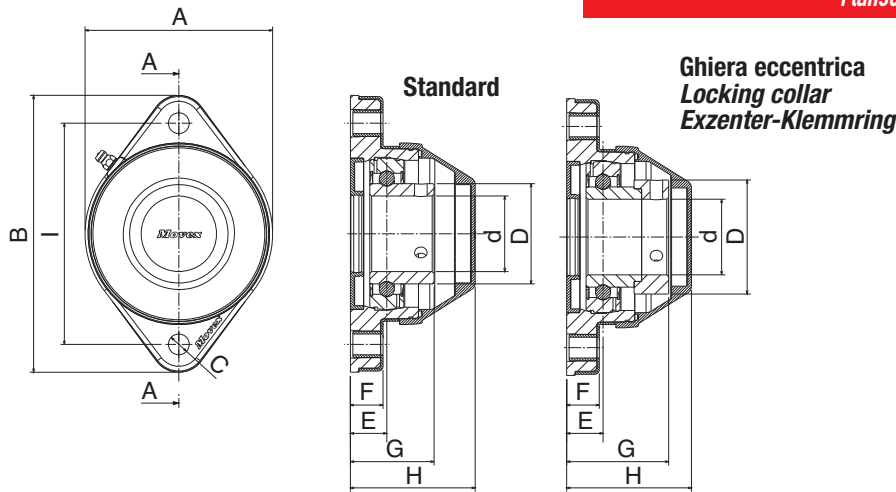
- Sede in poliammide rinforzato, con elevata resistenza meccanica e ottima resistenza contro agenti chimici corrosivi quali acqua, oli, benzina e liquidi contenenti alcool. Tutti i nostri cuscinetti possono essere utilizzati ad una temperatura compresa fra 0°C e +80°C
- I cuscinetti sono realizzati in acciaio al cromo, disponibili anche, su richiesta, nella versione in acciaio inox. Il cuscinetto all'interno della flangia può essere regolato di 2,5°.
- L'ingrassatore viene realizzato in ferro nichelato, o in acciaio inox nella versione con il cuscinetto in acciaio inox.
- Distanziali realizzati in ottone nichelato per rinforzare il foro di fissaggio
- Rondella in acciaio inox.
- **"Cover"** in acciaio inox.

### COMPONENTS

- *Housing in reinforced polyamide, with higher load capacity and good resistance to corrosive chemicals such as water, oils, petrol and alcoholic beverages. All our bearings can be used at temperatures between 0°C and +80°C.*
- *Ball bearings are made in chrome steel. They are also available, upon request, in stainless steel. Max misalignment between shaft and housing: 2.5°.*
- *Grease nipple are made in nickel plated steel, but they can also be made in stainless steel on the stainless steel bearing.*
- *Spacers from nickel plated brass to reinforce fixing holes.*
- *Washer stainless steel.*
- **"Cover"** in stainless steel

### KOMPONENTEN

- *Gehäuse gefertigt aus verstärktem Polyamid. Dies gewährleistet eine gute Widerstandsfähigkeit gegenüber mechanischen Einflüssen und eine gute Korrosionsbeständigkeit gegenüber Wasser, Ölen, Benzin, Flüssigkeiten mit Alkohol und Chemikalien. Alle unsere Gehäuse-Lagereinheiten können in einem Temperaturbereich von 0°C bis +80°C eingesetzt werden.*
- *Die Lagereinsätze sind aus Chrom-Stahl, auf Anfrage auch in Edelstahl erhältlich. Alle Lager gleichen einen Fluchtungsfehler von bis zu 2,5° selbstständig aus.*
- *Die Schmiernippel sind aus vernickeltem Stahl (aus Edelstahl wenn die Ausführung mit Edelstahl Einsatz gefragt ist).*
- *Alle Distanzstücke sind aus vernickeltem Messing und verstärken die Befestigungsbohrungen*
- *Alle Unterlegscheiben aus Edelstahl.*
- **"Cover"** aus Edelstahl.



Inserto standard, con guarnizioni, versione aperta e chiusa / Standard insert, sealed, open and close version / Standard-Flanschlager, abgedichtet, offene und geschlossene Version

Chrome steel	Part	Art-close	Part	Art-open	Series	d	l	A	B	C	D	E	F	G	H
	845	84504	846	84604	CL 208	40	117	99	146,5	11	53	18,5	16,5	43	66

Inserto "long life", con guarnizioni, versione aperta e chiusa / "Long life" insert, sealed, open and close version / "Long Life"-Flanschlager, abgedichtet, offene und geschlossene Version

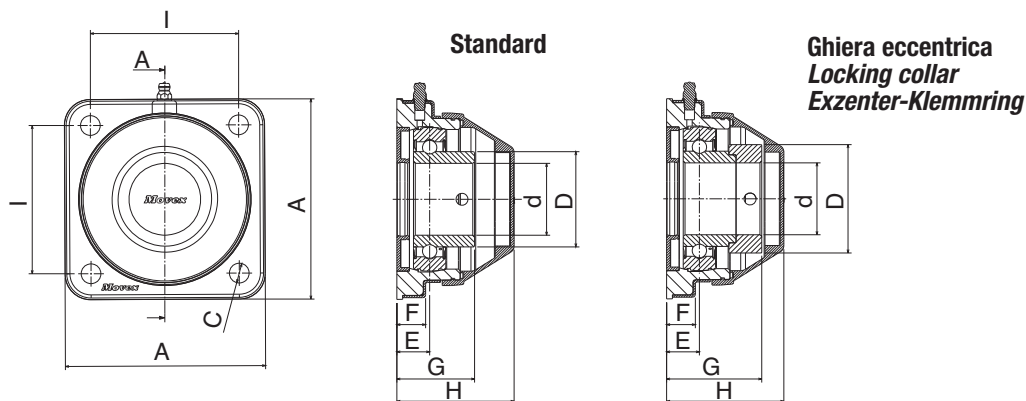
Chrome steel	Part	Art-close	Part	Art-open	Series	d	l	A	B	C	D	E	F	G	H
	845	84504L	846	84604L	CL 208	40	117	99	146,5	11	53	18,5	16,5	43	66

Inserto standard, con guarnizioni, versione aperta e chiusa / Standard insert, sealed, open and close version / Standard-Flanschlager, abgedichtet, offene und geschlossene Version

Stainless steel	Part	Art-close	Part	Art-open	Series	d	l	A	B	C	D	E	F	G	H
	845	84504SS	846	84604SS	CL 208	40	117	99	146,5	11	53	18,5	16,5	43	66

Inserto con ghiera eccentrica, guarnizioni, versione aperta e chiusa / Insert with locking collar, sealed, open and close version / Flanschlager mit Exzenter-Klemmring, abgedichtet, offene und geschlossene Version

Chrome steel	Part	Art-close	Part	Art-open	Series	d	l	A	B	C	D	E	F	G	H
	847	84704	848	84804	CL 208	40	117	99	146,5	11	60,3	18,5	16,5	43	66



**Solid Housing**

NEW

Inserto standard, con guarnizioni, versione aperta e chiusa / Standard insert, sealed, open and close version / Standard-Flanschlager, abgedichtet, offene und geschlossene Version

Chrome steel	Part	Art-close	Part	Art-open	Series	d	l	A	C	D	E	F	G	H
	849	84904	850	85004	CS 208	40	82,5	111	11	53	18,5	16,5	43	66

Inserto "long life", con guarnizioni, versione aperta e chiusa / "Long life" insert, sealed, open and close version / "Long Life"-Flanschlager, abgedichtet, offene und geschlossene Version

Chrome steel	Part	Art-close	Part	Art-open	Series	d	l	A	C	D	E	F	G	H
	849	84904L	850	85004L	CS 208	40	82,5	111	11	53	18,5	16,5	43	66

Inserto standard, con guarnizioni, versione aperta e chiusa / Standard insert, sealed, open and close version / Standard-Flanschlager, abgedichtet, offene und geschlossene Version

Stainless steel	Part	Art-close	Part	Art-open	Series	d	l	A	C	D	E	F	G	H
	849	84904SS	850	85004SS	CS 208	40	82,5	111	11	53	18,5	16,5	43	66

Inserto con ghiera eccentrica, guarnizioni, versione aperta e chiusa / Insert with locking collar, sealed, open and close version / Flanschlager mit Exzenter-Klemmring, abgedichtet, offene und geschlossene Version

Chrome steel	Part	Art-close	Part	Art-open	Series	d	l	A	C	D	E	F	G	H
	851	85104	852	85204	CS 208	40	82,5	111	11	60,3	18,5	16,5	53	66



## CUSCINETTI BIANCHI

- Sede in Poliammide Bianco.
- I cuscinetti sono realizzati in Acciaio Inox, è possibile regolarli di 2.5° all'interno della flangia.
- L'ingrassatore viene realizzato in Acciaio Inox.
- Distanziali realizzati in Acciaio Inox.
- Rondella per ingrassatore realizzata in Polietilene.

## BEARING UNITS –WHITE–

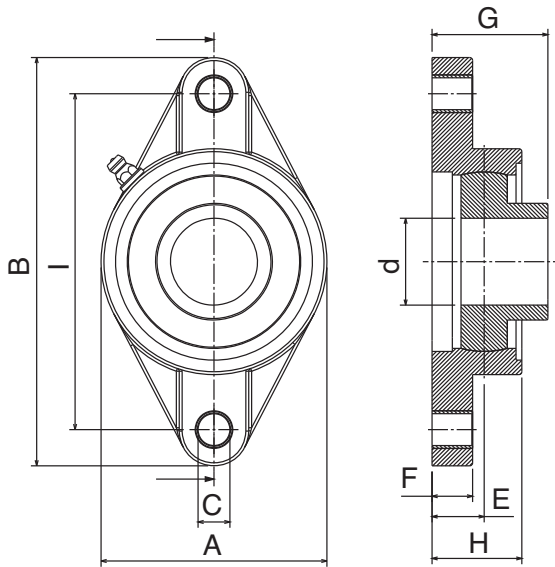
- *Housing in reinforced Polyamide, white*
- *Ball bearings are made in stainless steel, they allow a misalignment between shaft and housing of max. 2.5°.*
- *Grease nipple made in stainless steel.*
- *Spacers in stainless steel to reinforce fixing holes.*
- *Washer for grease nipple in PE.*

## FLANSCHLAGER –WEISS–

- *Lagergehäuse gefertigt aus verstärktem Polyamid, weiß.*
- *Lagereinsatz aus Edelstahl, alle Lager gleichen einen Fluchtungsfehler von bis zu 2,5° selbständig aus.*
- *Schmiernippel aus Edelstahl.*
- *Distanzstücke aus Edelstahl und verstärken die Befestigungsbohrungen.*
- *Unterlegscheibe für Schmiernippel aus Edelstahl.*



Series	Article-Nr.
FL204	89801
FL205	89802
FL206	89803
FL207	89804
FL208	89805

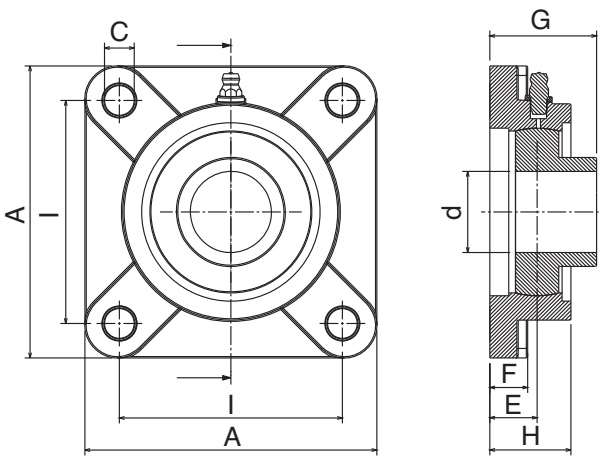


**SS  
insert**

**FL**

Inserto standard / Standard insert / Standard-Flanschlager

Part	Art.-Nr.	Series	d	I	A	B	C	E	F	G	H
813	81300	FL204	20	90	64	113	11	15,4	11,4	33,7	26,5
813	81301	FL205	25	99	70	131	11	17	13,5	36,7	29,1
813	81302	FL206	30	117	80	148	11	19	13,3	41,2	30,5
813	81303	FL207	35	130	90	164	13	18	16,1	43,4	32,8
813	81304	FL208	40	144	100	176	14	21,5	20	51,7	37,5

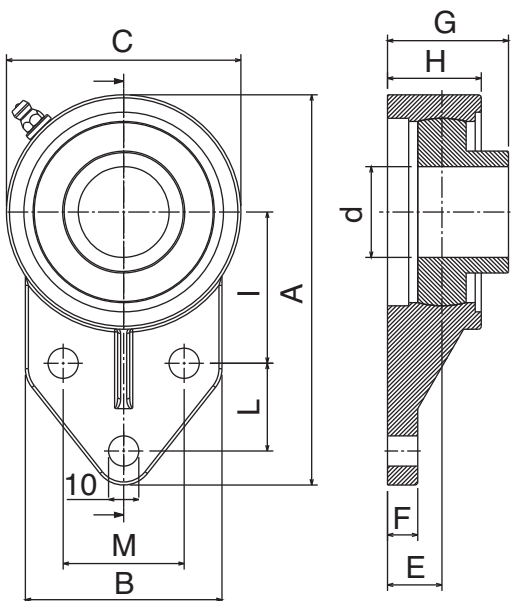


**SS  
insert**

**F**

Inserto standard / Standard insert / Standard-Flanschlager

Part	Art.-Nr.	Series	d	I	A	C	E	F	G	H
814	81400	F204	20	63,5	86	11	18	13,4	36,3	27,8
814	81401	F205	25	70	95	11	17	14	36,7	28,0
814	81402	F206	30	83	107	11	19,2	14,3	41,4	31,5
814	81403	F207	35	92	118	13	21,5	15,5	46,9	34,8
814	81404	F208	40	102	130	14	23	17	53,2	37,5



**SS  
insert**

**FB-Stainless steel**

Inserto standard / Standard insert / Standard-Flanschlager

Part	Art.-Nr.	Series	d	A	I	L	M	B	C	E	F	G	H
815	81500	FB204	20	108,5	42,9	22,2	38,1	62	62	15,4	12	33,7	26,2
815	81501	FB205	25	120,6	46	28,6	41,3	63,5	68,5	21	12	40,7	33,5
815	81502	FB206	30	140	52,4	31,8	47,6	75	83	19	14	41,2	31,5
815	81503	FB207	35	157	60,3	31,8	50,8	89	95	21,4	16	46,8	36,5
815	81504	FB208	40	164	60,3	41,3	50	78	100	22	18	47,5	35,7

**FB-Chrome steel**

Inserto standard / Standard insert / Standard-Flanschlager

Part	Art.-Nr.	Series	d	A	I	L	M	B	C	E	F	G	H
816	81600	FB204	20	108,5	42,9	22,2	38,1	62	62	15,4	12	33,7	26,2
816	81601	FB205	25	120,6	46	28,6	41,3	63,5	68,5	21	12	40,7	33,5
816	81602	FB206	30	140	52,4	31,8	47,6	75	83	19	14	41,2	31,5
816	81603	FB207	35	157	60,3	31,8	50,8	89	95	21,4	16	46,8	36,5
816	81604	FB208	40	164	60,3	41,3	50	78	100	22	18	47,5	35,7



### CUSCINETTI ACCIAIO INOX

- Sede in Acciaio Inox, ottimale per l'utilizzo nei processi alimentari e farmaceutici.
- I cuscinetti sono realizzati in Acciaio inox, è possibile regolarli di 2.5° all'interno della flangia.
- Ingrassatore realizzato in Acciaio inox.
- Rondella per ingrassatore realizzata in Polietilene.

### BEARING UNITS IN STAINLESS STEEL

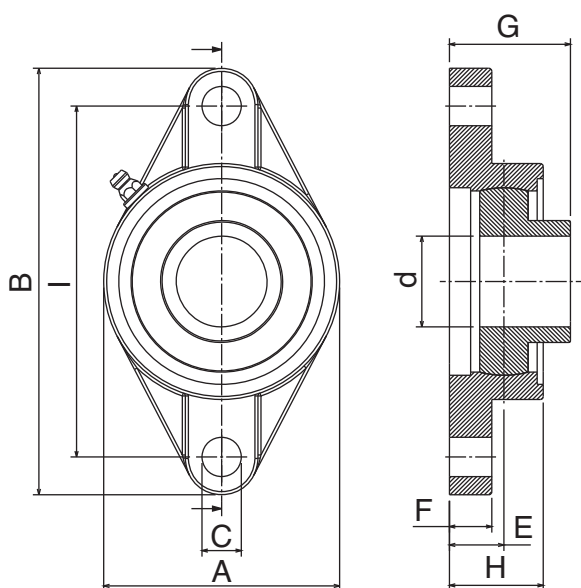
- *Housing in stainless steel, best choice for processes in food or pharmaceutical industries.*
- *Ball bearings are made in stainless steel, they allow a misalignment between shaft and housing of max. 2.5°.*
- *Grease nipple made in stainless steel.*
- *Washer for grease nipple in PE.*

### FLANCSHLAGER AUS EDELSTAHL

*Flanschlager aus Edelstahl*

- *Lagergehäuse aus Edelstahl, optimal für den Einsatz in der Lebensmittel- oder Pharmaindustrie.*
- *Lagereinsatz aus Edelstahl, alle Lager gleichen einen Fluchtungsfehler von bis zu 2,5° selbständig aus.*
- *Schmiernippel aus Edelstahl.*
- *Unterlegscheibe für Schmiernippel aus PE.*

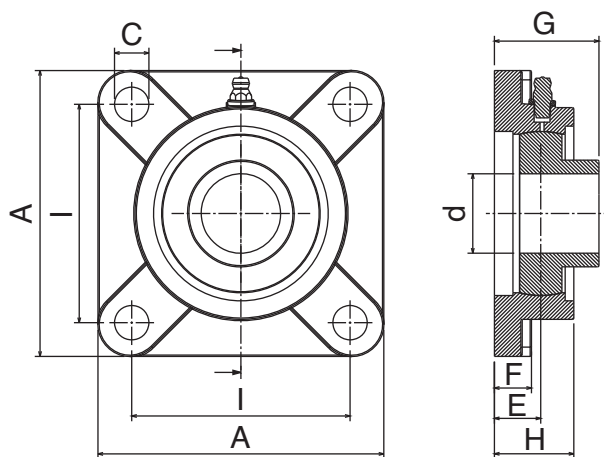




**SUCFL**

*Inserto standard / Standard insert / Standard-Flanschlager*

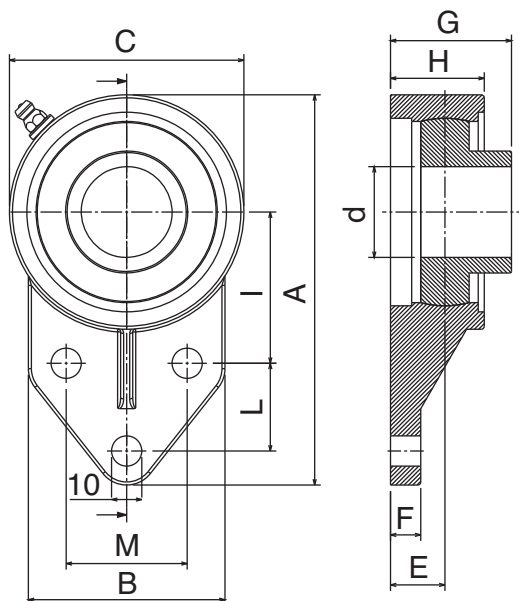
Part	Art.-Nr.	Series	d	I	A	B	C	E	F	G	H
817	81700	SUCFL 204	20	90	60	113	12	15	11	33,3	25,5
817	81701	SUCFL 205	25	99	68	130	16	16	13	35,8	27
817	81702	SUCFL 206	30	117	80	148	16	18	13	40,2	31
817	81703	SUCFL 207	35	130	90	161	16	19	15	44,4	34
817	81704	SUCFL 208	40	144	100	175	16	21	15	51,2	36



**SUCF**

*Inserto standard / Standard insert / Standard-Flanschlager*

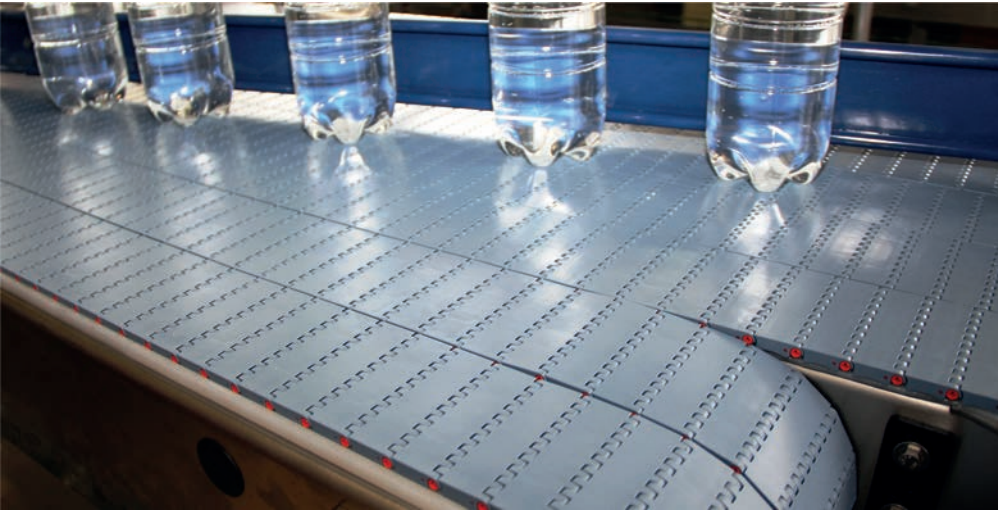
Part	Art.-Nr.	Series	d	I	A	C	E	F	G	H
819	81900	SUCF 204	20	64	86	12	15	12	33,3	25,5
819	81901	SUCF 205	25	70	95	12	16	14	35,8	27
819	81902	SUCF 206	30	83	108	12	18	14	40,2	31
819	81903	SUCF 207	35	92	117	14	19	15	44,4	34
819	81904	SUCF 208	40	102	130	16	21	15	51,2	36



**SUCFK**

*Inserto standard / Standard insert / Standard-Flanschlager*

Part	Art.-Nr.	Series	d	A	I	L	M	B	C	E	F	G	H
821	82100	SUCFK 204	20	110	42	27	32	52	62	15	13	33,3	25,5
821	82101	SUCFK 205	25	116	45	27	34	56	68	16	13	35,7	27
821	82102	SUCFK 206	30	130	50	29	40	65	78	18	13	40,2	31
821	82103	SUCFK 207	35	144	55	32	46	70	90	19	15	44,4	34
821	82104	SUCFK 208	40	164	60	41	50	78	100	21	16	51,2	36

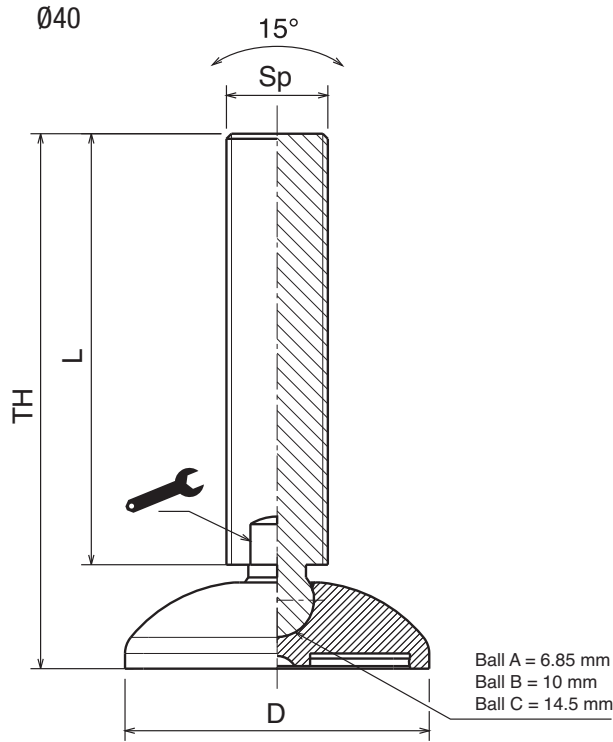


# leveling pads

<p>040-050-060</p>  <p>pag. 306</p>	<p>080-0100</p>  <p>pag. 308</p>	<p>080-0100-0120</p>  <p>pag. 310</p>
<p>0110</p>  <p>pag. 312</p>	<p>0123</p>  <p>pag. 314</p>	<p>0123</p>  <p>pag. 316</p>
<p>050-065 - 075-0100 0125-0150-0180</p>  <p>pag. 318</p>	<p>075-0100</p>  <p>pag. 322</p>	<p>0123</p>  <p>pag. 324</p>



Materiale:	Material:	Materialien:
Basi: Poliammide	Base plate: Polyamide	Fussplatte: Polyamid
Stelo: Acciaio inox o Ferro zincato	Spindle: Stainless steel or Zinc plated steel	Spindel: Edelstahl oder Stahl Verzinkt



## ACCESSORI / ACCESSORIES / ZUBEHÖR

### Gomma anti-scivolo / Anti-slip pad / Gummiplatte



Part	Article-Nr.	For base
996	99601	Ø40
996	99602	Ø50
996	99603	Ø60

### Dadi acciaio inox / Stainless steel nuts / Mutter Edelstahl



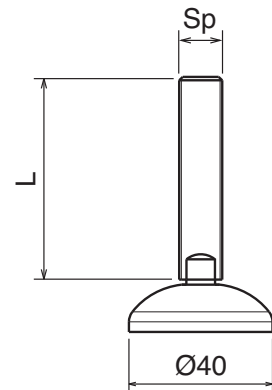
Part	Article-Nr.	Spindle
998	99801	M10
998	99802	M12
998	99804	M16
998	99805	M20

SS: Acciaio inox / Stainless steel / Edelstahl

FeZn: Ferro zincato / Zinc plated steel / Stahl Verzinkt

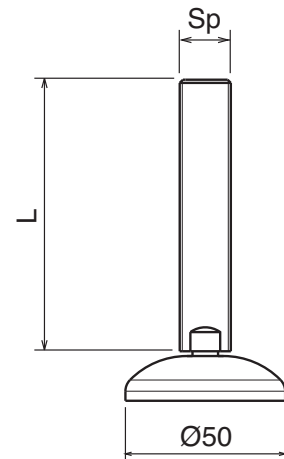
Piede diam. 40 mm / Leveller diam. 40 mm / Gelenkfuss Diam. 40 mm

Part	Sp		Sp	TH	L	Ball	🔑		N
	SS	FeZn					🔑	🔑	
901	90101	90101Z	M10	50	35	A	7	-	10.000
901	90102	90102Z		100	85	A	7	-	
901	90103	90103Z		150	135	A	7	-	
902	90201	90201Z	M12	75	60	B	9	-	12.000
902	90202	90202Z		100	85	B	9	-	
902	90203	90203Z		150	135	B	9	-	
903	90301	90301Z	M16	75	60	B	13	-	15.000
903	90302	90302Z		100	85	B	13	-	
903	90303	90303Z		150	135	B	13	-	
903	90301H	90301ZH		75	60	B	-	16	
903	90302H	90302ZH		100	85	B	-	16	
903	90303H	90303ZH		150	135	B	-	16	



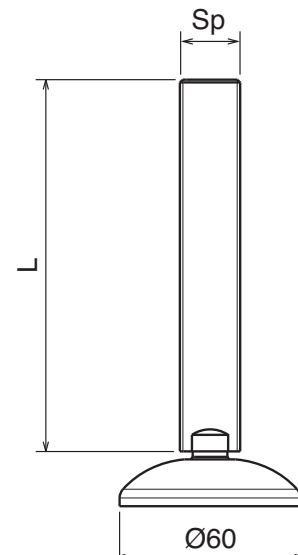
Piede diam. 50 mm / Leveller diam. 50 mm / Gelenkfuss Diam. 50 mm

Part	Sp		Sp	TH	L	Ball	🔑		N
	SS	FeZn					🔑	🔑	
904	90401	90401Z	M10	50	35	A	7	-	10.000
904	90402	90402Z		100	85	A	7	-	
904	90403	90403Z		150	135	A	7	-	
905	90501	90501Z	M12	75	60	B	9	-	12.000
905	90502	90502Z		100	85	B	9	-	
905	90503	90503Z		150	135	B	9	-	
906	90601	90601Z	M16	75	60	B	13	-	15.000
906	90602	90602Z		100	85	B	13	-	
906	90603	90603Z		150	135	B	13	-	
906	90601H	90601ZH		75	60	B	-	16	
906	90602H	90602ZH		100	85	B	-	16	
906	90603H	90603ZH		150	135	B	-	16	

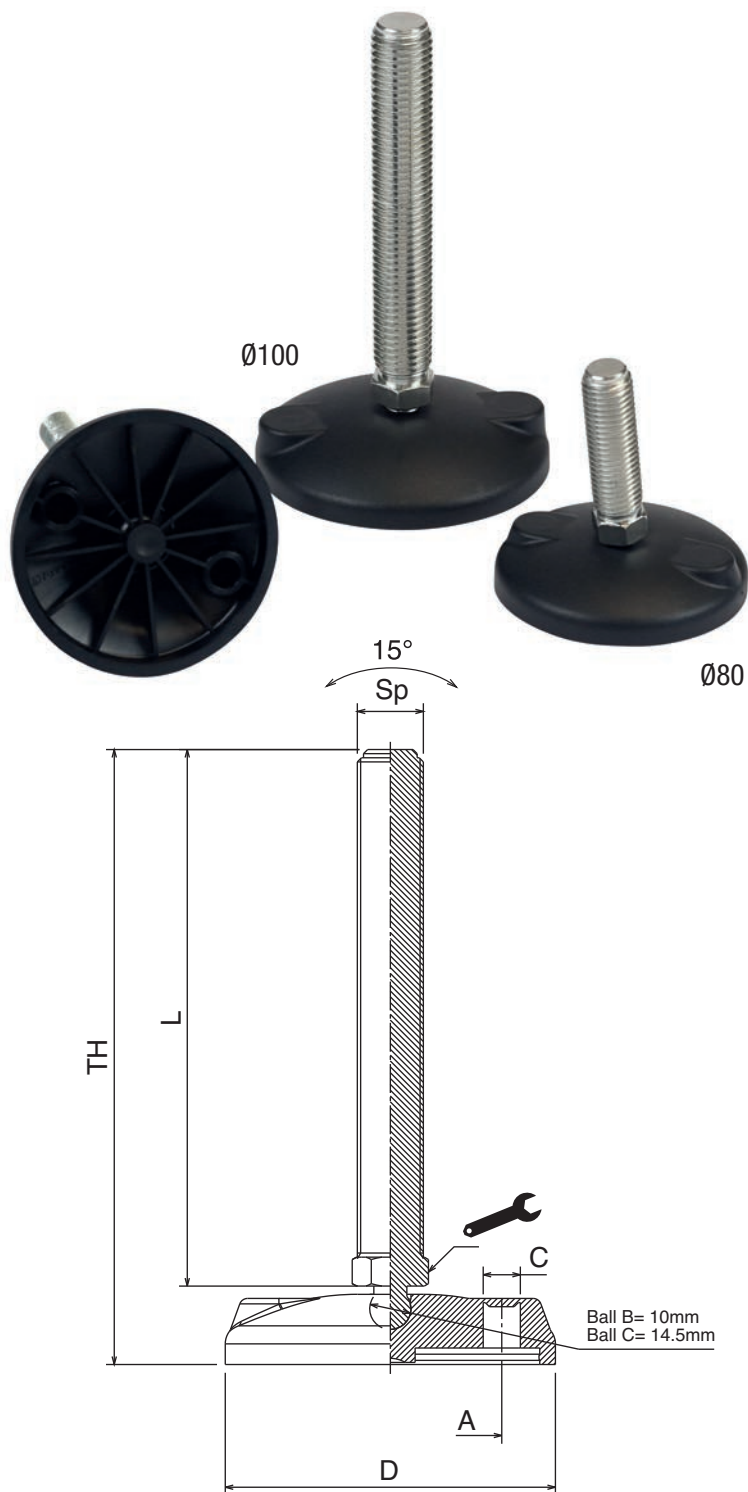


Piede diam. 60 mm / Leveller diam. 60 mm / Gelenkfuss Diam. 60 mm

Part	Sp		Sp	TH	L	Ball	🔑		N
	SS	FeZn					🔑	🔑	
907	90701	90701Z	M12	80	60	B	9	-	12.000
907	90702	90702Z		105	85	B	9	-	
907	90703	90703Z		155	135	B	9	-	
908	90801	90801Z	M16	105	85	B	13	-	15.000
908	90802	90802Z		155	135	B	13	-	
908	90803	90803Z		205	185	B	13	-	
908	90801H	90801ZH		105	85	B	-	16	
908	90802H	90802ZH		155	135	B	-	16	
908	90803H	90803ZH		205	185	B	-	16	
909	90901	90901Z	M20	105	85	C	16	-	16.000
909	90902	90902Z		155	135	C	16	-	
909	90903	90903Z		205	185	C	16	-	
909	90901H	90901ZH		105	85	C	-	20	
909	90902H	90902ZH		155	135	C	-	20	
909	90903H	90903ZH		205	185	C	-	20	



Materiale:	Material:	Materialien:
Basi: Poliammide	Base plate: Polyamide	Fussplatte: Polyamid
Stelo: Acciaio inox o Ferro zincato	Spindle: Stainless steel or Zinc plated steel	Spindel: Edelstahl oder Stahl Verzinkt



## ACCESSORI / ACCESSORIES / ZUBEHÖR

### Gomma anti-scivolo / Anti-slip pad / Gummiplatte



Part	Article-Nr.	For base
996	99604	Ø80
996	99605	Ø100

### Dadi acciaio inox / Stainless steel nuts / Mutter Edelstahl



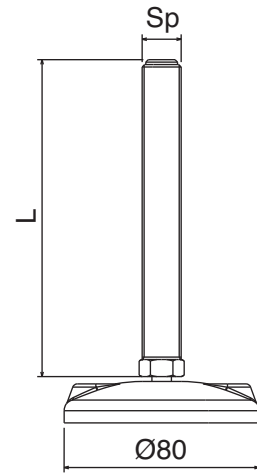
Part	Article-Nr.	Spindle
998	99802	M12
998	99804	M16
998	99805	M20

SS: Acciaio inox / Stainless steel / Edelstahl

FeZn: Ferro zincato / Zinc plated steel / Stahl Verzinkt

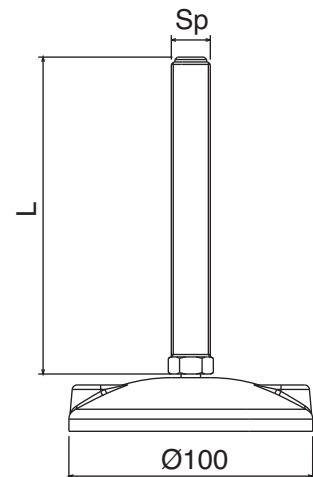
Piede diam. 80 mm / Leveller diam. 80 mm / Gelenkfuss Diam. 80 mm

Part	Sp		Sp	TH	L	Ball	C		N
	SS	FeZn					Wrench	Wrench	
953	95301	95301Z	M12	80	60	B	9	-	12.000
953	95302	95302Z		105	85	B	9	-	
953	95303	95303Z		155	135	B	9	-	
954	95401	95401Z	M16	105	85	B	13	-	15.000
954	95402	95402Z		155	135	B	13	-	
954	95403	95403Z		205	185	B	13	-	
954	95401H	95401ZH		105	85	B	-	16	
954	95402H	95402ZH	155	135	B	-	16	18.000	
954	95403H	95403ZH	205	185	B	-	16		
955	95501	95501Z	M20	105	85	C	16		-
955	95502	95502Z		155	135	C	16	-	
955	95503	95503Z		205	185	C	16	-	
955	95501H	95501ZH		105	85	C	-	20	
955	95502H	95502ZH		155	135	C	-	20	
955	95503H	95503ZH	205	185	C	-	20		



Piede diam. 100 mm / Leveller diam. 100 mm / Gelenkfuss Diam. 100 mm

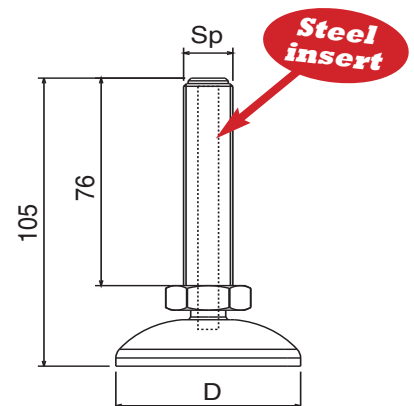
Part	Sp		Sp	TH	L	Ball	C		N
	SS	FeZn					Wrench	Wrench	
956	95601	95601Z	M16	108	85	B	13	-	15.000
956	95602	95602Z		158	135	B	13	-	
956	95603	95603Z		208	185	B	13	-	
956	95601H	95601ZH	M16	108	85	B	-	16	15.000
956	95602H	95602ZH		158	135	B	-	16	
956	95603H	95603ZH		208	185	B	-	16	
957	95701	95701Z	M20	108	85	C	16	-	18.000
957	95702	95702Z		158	135	C	16	-	
957	95703	95703Z		208	185	C	16	-	
957	95701H	95701ZH		108	85	C	-	20	
957	95702H	95702ZH		158	135	C	-	20	
957	95703H	95703ZH	208	185	C	-	20		



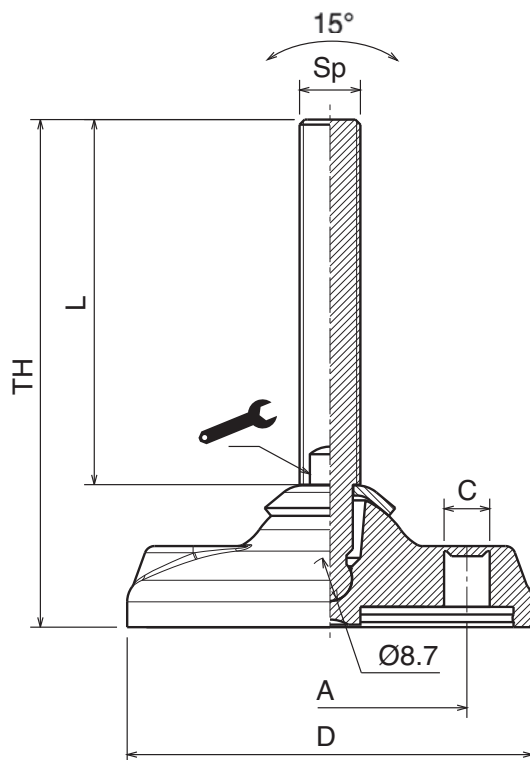
Piede diam. 60-80-100 mm / Leveller diam. 60-80-100 mm / Gelenkfuss Diam. 60-80-100 mm

Part	Art.-Nr.	Sp	D	Ball	Wrench	N
908	90810PH		60			
954	95410PH	M16	80	C	24	13.000
957	95710PH		100			

Base and spindle: Poliammide / Polyamide / Polyamid

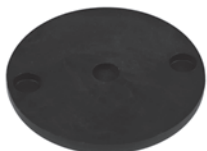


Materiale:	Material:	Materialien:
Basi: Poliammide	Base plate: Polyamide	Fussplatte: Polyamid
Stelo: Acciaio inox o Ferro zincato	Spindle: Stainless steel or Zinc plated steel	Spindel: Edelstahl oder Stahl Verzinkt



### ACCESSORI / ACCESSORIES / ZUBEHÖR

#### Gomma anti-scivolo / Anti-slip pad / Gummiplatte



Part	Article-Nr.	For base
996	99604	Ø80
996	99605	Ø100
996	99606	Ø120

#### Dadi acciaio inox / Stainless steel nuts / Mutter Edelstahl





Part	Article-Nr.	Spindle
998	99802	M12
998	99804	M16
998	99805	M20
998	99806	M24

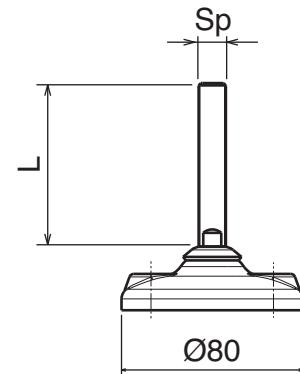


SS: Acciaio inox / Stainless steel / Edelstahl



FeZn: Ferro zincato / Zinc plated steel / Stahl Verzinkt

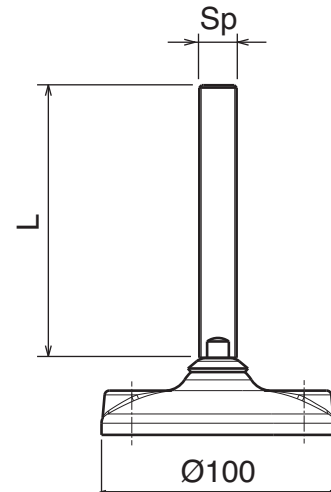
Piede diam. 80 mm / Leveller diam. 80 mm / Gelenkfuss Diam. 80 mm

Sp										
Part	SS	FeZn	Sp	TH	L	A	C			N
910	91001	91001Z	M12	100	72	54	9	9	-	12.000
910	91002	91002Z		150	122	54	9	9	-	
910	91003	91003Z		200	172	54	9	9	-	
911	91101	91101Z	M16	95	67	54	9	13	-	15.000
911	91102	91102Z		145	117	54	9	13	-	
911	91103	91103Z		195	167	54	9	13	-	
911	91101H	91101ZH		95	67	54	9	-	16	
911	91102H	91102ZH		145	117	54	9	-	16	
911	91103H	91103ZH		195	167	54	9	-	16	
912	91201	91201Z	M20	120	92	54	9	16	-	16.000
912	91202	91202Z		170	142	54	9	16	-	
912	91203	91203Z		220	192	54	9	16	-	
912	91201H	91201ZH		120	92	54	9	-	20	
912	91202H	91202ZH		170	142	54	9	-	20	
912	91203H	91203ZH		220	192	54	9	-	20	





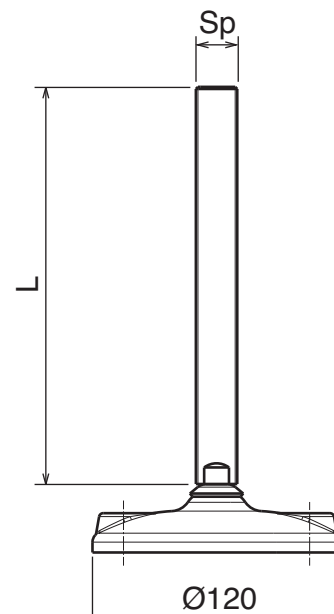
Piede diam. 100 mm / Leveller diam. 100 mm / Gelenkfuss Diam. 100 mm

Sp										
Part	SS	FeZn	Sp	TH	L	A	C			N
913	91301	91301Z	M16	100	67	74	13	13	-	15.000
913	91302	91302Z		150	117	74	13	13	-	
913	91303	91303Z		200	167	74	13	13	-	
913	91301H	91301ZH		100	67	74	13	-	16	
913	91302H	91302ZH		150	117	74	13	-	16	
913	91303H	91303ZH		200	167	74	13	-	16	
914	91401	91401Z	M20	125	92	74	13	16	-	16.000
914	91402	91402Z		175	142	74	13	16	-	
914	91403	91403Z		225	192	74	13	16	-	
914	91401H	91401ZH		125	92	74	13	-	20	
914	91402H	91402ZH		175	142	74	13	-	20	
914	91403H	91403ZH		225	192	74	13	-	20	
915	91501	91501Z	M24	125	92	74	13	19	-	18.000
915	91502	91502Z		175	142	74	13	19	-	
915	91503	91503Z		225	192	74	13	19	-	

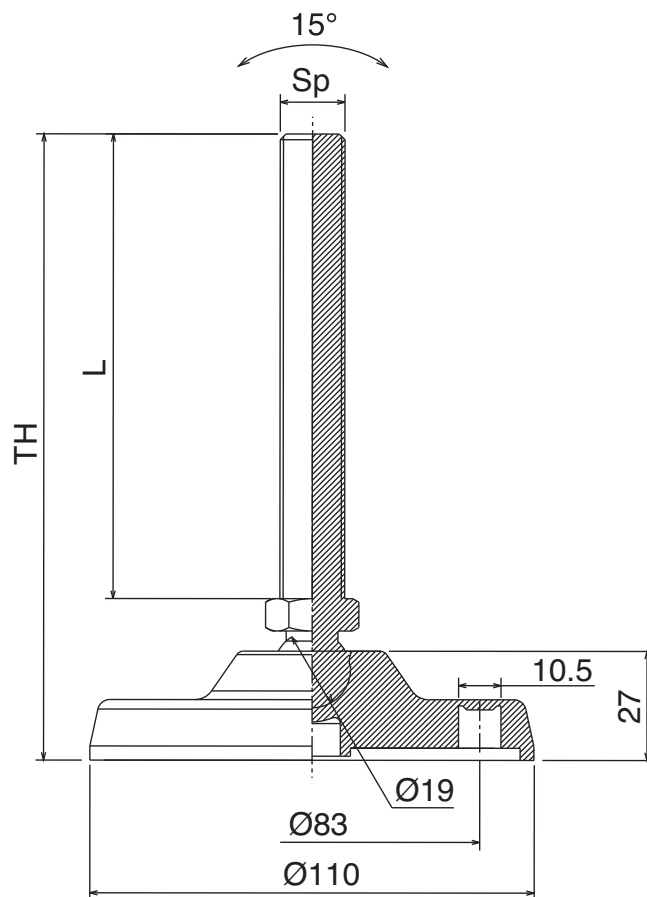


Piede diam. 120 mm / Leveller diam. 120 mm / Gelenkfuss Diam. 120 mm

Sp										
Part	SS	FeZn	Sp	TH	L	A	C			N
916	91601	91601Z	M16	100	67	90	13	13	-	15.000
916	91602	91602Z		150	117	90	13	13	-	
916	91603	91603Z		200	167	90	13	13	-	
916	91601H	91601ZH		100	67	90	13	-	16	
916	91602H	91602ZH		150	117	90	13	-	16	
916	91603H	91603ZH		200	167	90	13	-	16	
917	91701	91701Z	M20	125	92	90	13	16	-	16.000
917	91702	91702Z		175	142	90	13	16	-	
917	91703	91703Z		225	192	90	13	16	-	
917	91701H	91701ZH		125	92	90	13	-	20	
917	91702H	91702ZH		175	142	90	13	-	20	
917	91703H	91703ZH		225	192	90	13	-	20	
918	91801	91801Z	M24	125	92	90	13	19	-	18.000
918	91802	91802Z		175	142	90	13	19	-	
918	91803	91803Z		225	192	90	13	19	-	

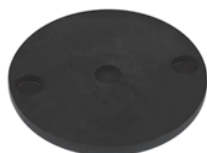


Materiale:	Material:	Materialien:
Basi: Poliammide	Base plate: Polyamide	Fussplatte: Polyamid
Stelo: Acciaio inox o Ferro zincato	Spindle: Stainless steel or Zinc plated steel	Spindel: Edelstahl oder Stahl Verzinkt



## ACCESSORI / ACCESSORIES / ZUBEHÖR

### Gomma anti-scivolo / Anti-slip pad / Gummiplatte



Part	Article-Nr.	For base
996	99607	Ø110

### Dadi acciaio inox / Stainless steel nuts / Mutter Edelstahl




Part	Article-Nr.	Spindle
998	99804	M16
998	99805	M20
998	99806	M24

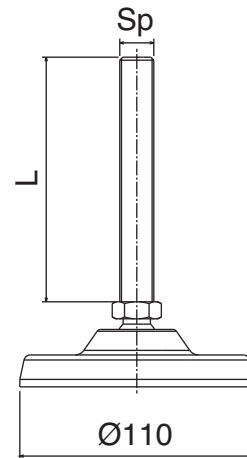
SS: Acciaio inox / Stainless steel / Edelstahl

FeZn: Ferro zincato / Zinc plated steel / Stahl Verzinkt


Piede diam. 110 mm / Leveller diam. 110 mm / Gelenkfuss Diam. 110 mm

WITHOUT ANTISLIP RUBBER

Sp							
Part	SS	FeZn	Sp	TH	L		N
943	94301H	94301ZH	M16	155	115	20	15.000
943	94302H	94302ZH		185	145	20	
943	94303H	94303ZH		235	195	20	
944	94401H	94401ZH	M20	155	115	20	
944	94402H	94402ZH		185	145	20	
944	94403H	94403ZH		235	195	20	
945	94501H	94501ZH	M24	155	115	24	18.000
945	94502H	94502ZH		185	145	24	
945	94503H	94503ZH		235	195	24	




WITH ANTISLIP RUBBER

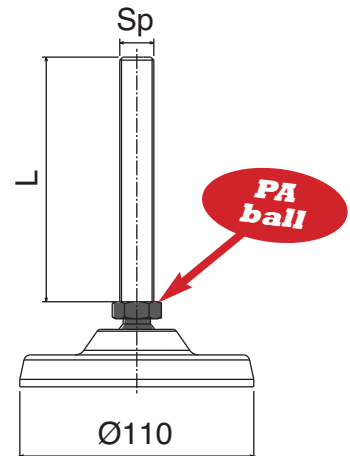
Sp							
Part	SS	FeZn	Sp	TH	L		N
943	94351H	94351ZH	M16	155	115	20	15.000
943	94352H	94352ZH		185	145	20	
943	94353H	94353ZH		235	195	20	
944	94451H	94451ZH	M20	155	115	20	
944	94452H	94452ZH		185	145	20	
944	94453H	94453ZH		235	195	20	
945	94551H	94551ZH	M24	155	115	24	18.000
945	94552H	94552ZH		185	145	24	
945	94553H	94553ZH		235	195	24	




Piede diam. 110 mm / Leveller diam. 110 mm / Gelenkfuss Diam. 110 mm

WITHOUT ANTISLIP RUBBER

Sp							
Part	SS	FeZn	Sp	TH	L		N
946	94601H	94601ZH	M16	155	115	20	12.000
946	94602H	94602ZH		185	145	20	
946	94603H	94603ZH		235	195	20	
947	94701H	94701ZH	M20	155	115	20	
947	94702H	94702ZH		185	145	20	
947	94703H	94703ZH		235	195	20	



WITH ANTISLIP RUBBER

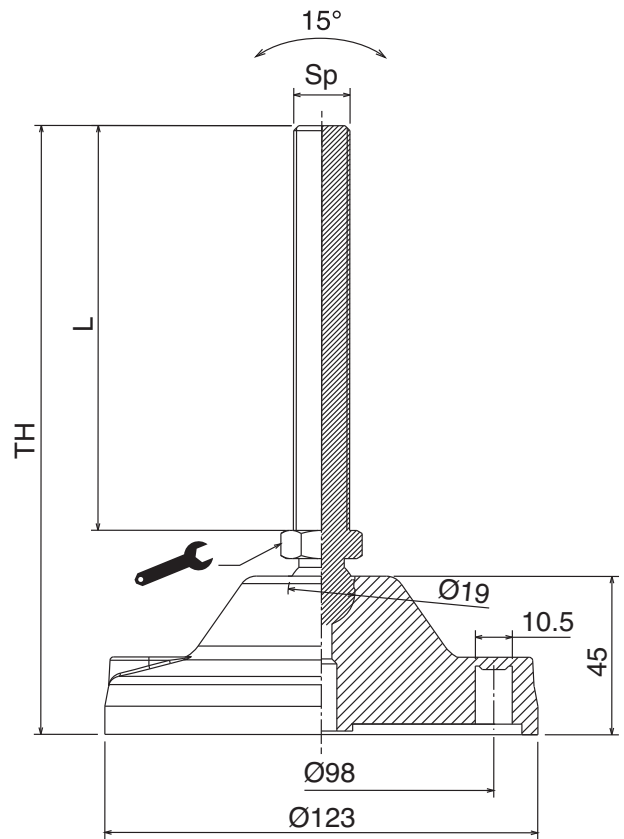
Sp							
Part	SS	FeZn	Sp	TH	L		N
946	94651H	94651ZH	M16	155	115	20	12.000
946	94652H	94652ZH		185	145	20	
946	94653H	94653ZH		235	195	20	
947	94751H	94751ZH	M20	155	115	20	
947	94752H	94752ZH		185	145	20	
947	94753H	94753ZH		235	195	20	



Materiale:	Material:	Materialien:
Basi: Poliammide	Base plate: Polyamide	Fussplatte: Polyamid
Stelo: Acciaio inox o Ferro zincato	Spindle: Stainless steel or Zinc plated steel	Spindel: Edelstahl oder Stahl Verzinkt

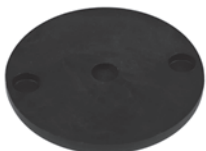


Ø123



## ACCESSORI / ACCESSORIES / ZUBEHÖR

### Gomma anti-scivolo / Anti-slip pad / Gummiplatte



Part	Article-Nr.	For base
996	99608	Ø123

### Dadi acciaio inox / Stainless steel nuts / Mutter Edelstahl




Part	Article-Nr.	Spindle
998	99804	M16
998	99805	M20
998	99806	M24

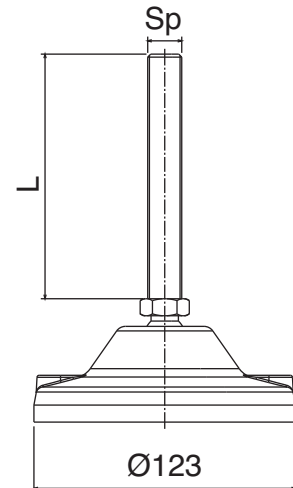
SS: Acciaio inox / Stainless steel / Edelstahl

FeZn: Ferro zincato / Zinc plated steel / Stahl Verzinkt


Piede diam. 123 mm / Leveller diam. 123 mm / Gelenkfuss Diam. 123 mm

WITHOUT ANTISLIP RUBBER

Sp							
Part	SS	FeZn	Sp	TH	L		N
948	94801H	94801ZH	M16	175	115	20	25.000
948	94802H	94802ZH		205	145	20	
948	94803H	94803ZH		255	195	20	
949	94901H	94901ZH	M20	175	115	20	
949	94902H	94902ZH		205	145	20	
949	94903H	94903ZH		255	195	20	
950	95001H	95001ZH	M24	175	115	24	
950	95002H	95002ZH		205	145	24	
950	95003H	95003ZH		255	195	24	




WITH ANTISLIP RUBBER

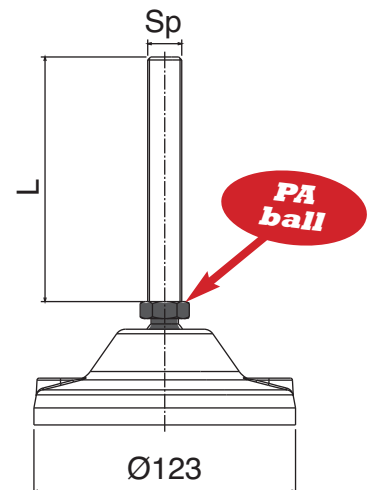
Sp							
Part	SS	FeZn	Sp	TH	L		N
948	94851H	94851ZH	M16	175	115	20	25.000
948	94852H	94852ZH		205	145	20	
948	94853H	94853ZH		255	195	20	
949	94951H	94951ZH	M20	175	115	20	
949	94952H	94952ZH		205	145	20	
949	94953H	94953ZH		255	195	20	
950	95051H	95051ZH	M24	175	115	24	
950	95052H	95052ZH		205	145	24	
950	95053H	95053ZH		255	195	24	




Piede diam. 123 mm / Leveller diam. 123 mm / Gelenkfuss Diam. 123 mm

WITHOUT ANTISLIP RUBBER

Sp							
Part	SS	FeZn	Sp	TH	L		N
951	95101H	95101ZH	M16	175	115	20	20.000
951	95102H	95102ZH		205	145	20	
951	95103H	95103ZH		255	195	20	
952	95201H	95201ZH	M20	175	115	20	
952	95202H	95202ZH		205	145	20	
952	95203H	95203ZH		255	195	20	



WITH ANTISLIP RUBBER

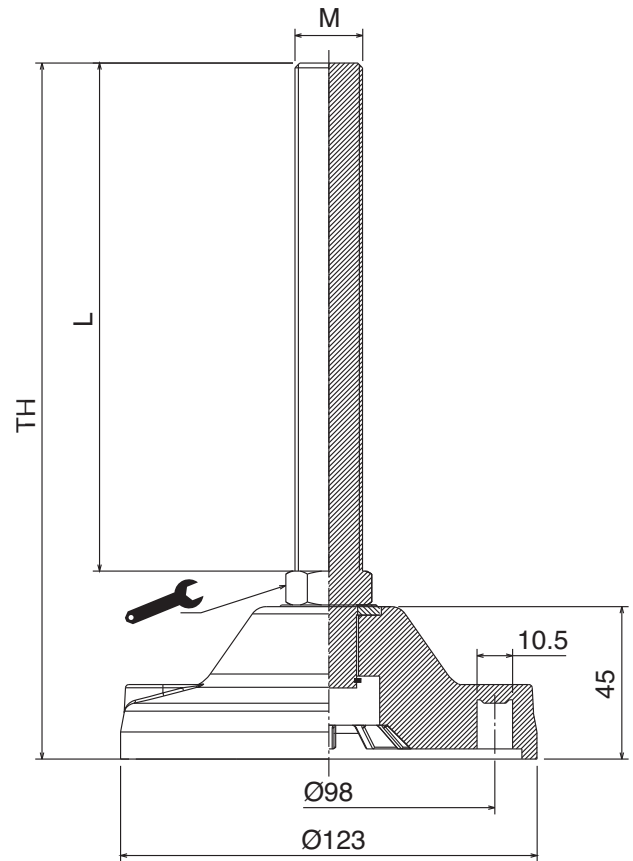
Sp							
Part	SS	FeZn	Sp	TH	L		N
951	95151H	95151ZH	M16	175	115	20	20.000
951	95152H	95152ZH		205	145	20	
951	95153H	95153ZH		255	195	20	
952	95251H	95251ZH	M20	175	115	20	
952	95252H	95252ZH		205	145	20	
952	95253H	95253ZH		255	195	20	



Materiale:	Material:	Materialien:
Basi: Poliammide	Base plate: Polyamide	Fussplatte: Polyamid
Stelo: Acciaio inox o Ferro zincato	Spindle: Stainless steel or Zinc plated steel	Spindel: Edelstahl oder Stahl Verzinkt



Ø123



**ACCESSORI / ACCESSORIES / ZUBEHÖR**

**Gomma anti-scivolo / Anti-slip pad / Gummiplatte**



Part	Article-Nr.	For base
996	99608	Ø123

**Dadi acciaio inox / Stainless steel nuts / Mutter Edelstahl**




Part	Article-Nr.	Spindle
998	99804	M16
998	99805	M20
998	99806	M24

SS: Acciaio inox / Stainless steel / Edelstahl


FeZn: Ferro zincato / Zinc plated steel / Stahl Verzinkt

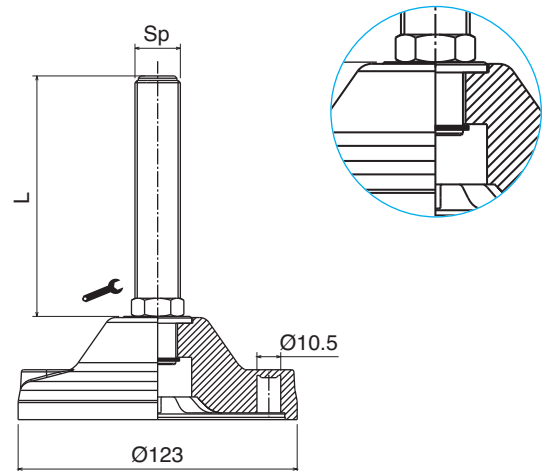
Piede diam. 123 mm / Leveller diam. 123 mm / Gelenkfuss Diam. 123 mm

WITHOUT ANTISLIP RUBBER

Sp							
Part	SS	FeZn	Sp	TH	L		N
958	95801H	95801ZH	M20	150	98	20	30.000
958	95802H	95802ZH		200	148	20	
958	95803H	95803ZH		250	198	20	
959	95901H	95901ZH	M24	150	98	24	
959	95902H	95902ZH		200	148	24	
959	95903H	95903ZH		250	198	24	


WITH ANTISLIP RUBBER

Sp							
Part	SS	FeZn	Sp	TH	L		N
958	95851H	95851ZH	M20	150	98	20	30.000
958	95852H	95852ZH		200	148	20	
958	95853H	95853ZH		250	198	20	
959	95951H	95951ZH	M24	150	98	24	
959	95952H	95952ZH		200	148	24	
959	95953H	95953ZH		250	198	24	




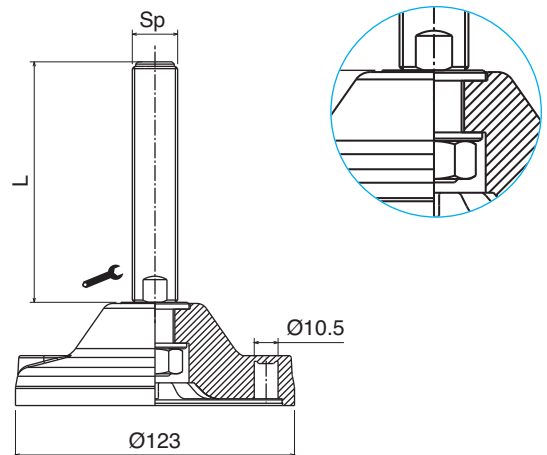
Piede diam. 123 mm / Leveller dia 123 mm - Muscle fixing / Gelenkfuss Diam. 123 mm

WITHOUT ANTISLIP RUBBER

Sp							
Part	SS	FeZn	Sp	TH	L		N
931	93102	93102Z	M20	200	148	16	30.000
931	93103	93103Z		250	198	16	
932	93202	93202Z	M24	200	148	19	
932	93203	93203Z		250	198	19	
933	93302	93302Z	M30	200	148	24	
933	93303	93303Z		250	198	24	


WITH ANTISLIP RUBBER

Sp							
Part	SS	FeZn	Sp	TH	L		N
931	93152	93152Z	M20	200	148	16	30.000
931	93153	93153Z		250	198	16	
932	93252	93252Z	M24	200	148	19	
932	93253	93253Z		250	198	19	
933	93352	93352Z	M30	200	148	24	
933	93353	93353Z		250	198	24	




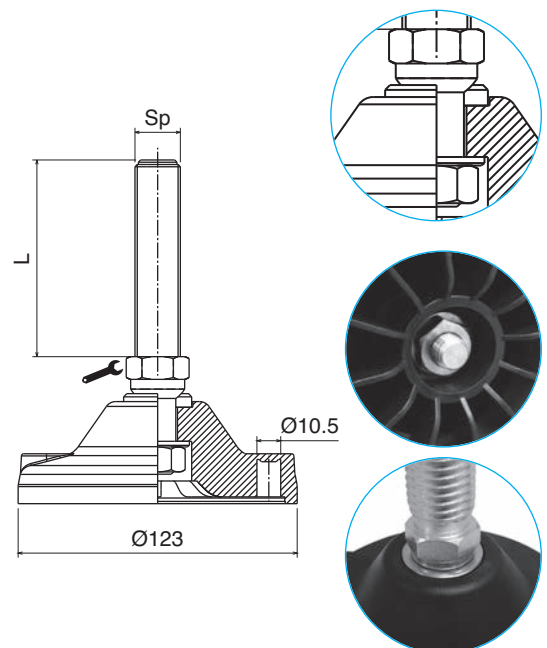
Piede diam. 123 mm / Leveller dia 123 mm - Muscle fixing / Gelenkfuss Diam. 123 mm

WITHOUT ANTISLIP RUBBER

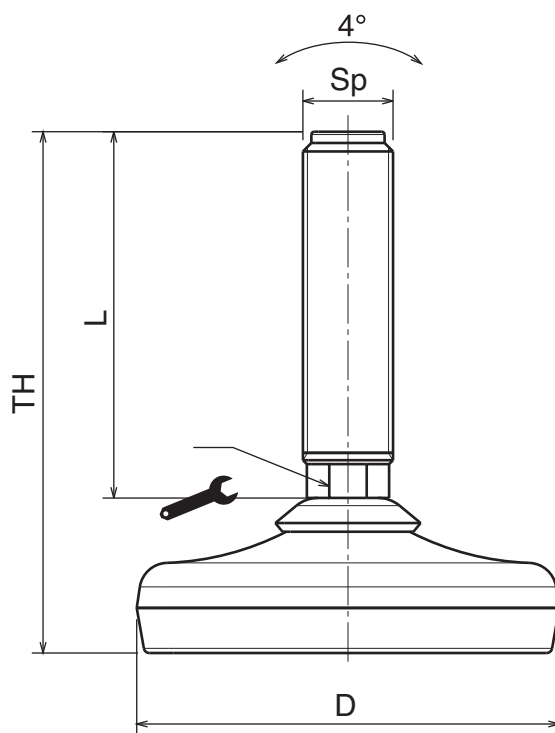
Sp							
Part	SS	FeZn	Sp	TH	L		N
981	98102H	98102ZH	M20	200	148	24	30.000
981	98103H	98103ZH		250	198	24	
982	98202H	98202ZH	M24	200	148	24	
982	98203H	98203ZH		250	198	24	
983	98302H	98302ZH	M30	200	148	32	
983	98303H	98303ZH		250	198	32	

WITH ANTISLIP RUBBER

Sp							
Part	SS	FeZn	Sp	TH	L		N
981	98152H	98152ZH	M20	200	148	24	30.000
981	98153H	98153ZH		250	198	24	
982	98252H	98252ZH	M24	200	148	24	
982	98253H	98253ZH		250	198	24	
983	98352H	98352ZH	M30	200	148	32	
983	98353H	98353ZH		250	198	32	



Materiale:	Material:	Materialien:
Basi, stelo e rondella: Acciaio inox	Base plate, spindle and washer: Stainless steel	Fussplatte, Spindel und Scheibe: Edelstahl



### ACCESSORI / ACCESSORIES / ZUBEHÖR



#### Dadi acciaio inox / Stainless steel nuts / Mutter Edelstahl

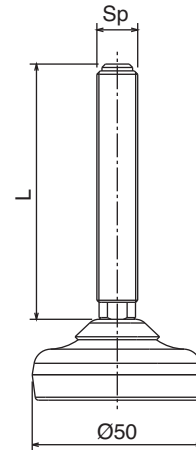


Part	Article-Nr.	Spindle
998	99802	M12
998	99804	M16
998	99805	M20
998	99806	M24
998	99807	M30





Piede diam. 50 mm / Leveller diam. 50 mm / Stellfuss Diam. 50 mm

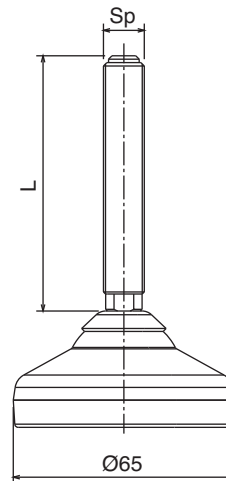
Part	Article-Nr.	SP	TH	L		
919	91901	M12	75	50	9	3.000
919	91902		100	75	9	
919	91903		150	125	9	
920	92001	M16	90	65	13	
920	92002		140	115	13	
920	92003		190	165	13	
921	92101	M20	90	65	16	
921	92102		115	90	16	
921	92103		165	140	16	





Piede diam. 65 mm / Leveller diam. 65 mm / Stellfuss Diam. 65 mm

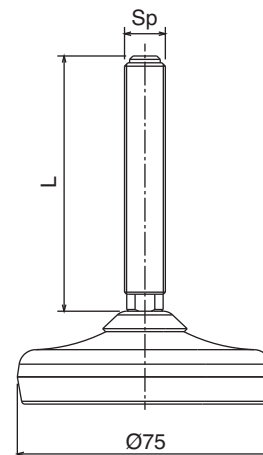
**NEW**

Part	Article-Nr.	SP	TH	L		
972	97201	M12	85	50	9	5.000
972	97202		110	75	9	
972	97203		160	125	9	
973	97301	M16	100	65	13	
973	97302		150	115	13	
973	97303		200	165	13	
974	97401	M20	100	65	16	
974	97402		125	90	16	
974	97403		175	140	16	





Piede diam. 75 mm / Leveller diam. 75 mm / Stellfuss Diam. 75 mm

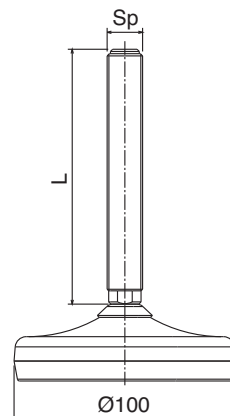
Part	Article-Nr.	SP	TH	L		
922	92201	M12	80	50	9	8.000
922	92202		105	75	9	
922	92203		155	125	9	
923	92301	M16	95	65	13	
923	92302		145	115	13	
923	92303		195	165	13	
924	92401	M20	95	65	16	
924	92402		120	90	16	
924	92403		170	140	16	





Materiale:	Material:	Materialien:
Basi, stelo e rondella: Acciaio inox	Base plate, spindle and washer: Stainless steel	Fussplatte, Spindel und Scheibe: Edelstahl

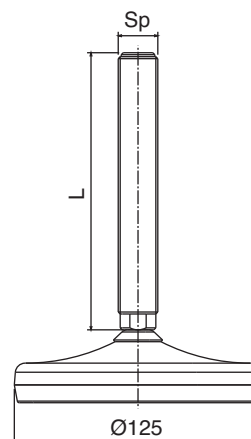
Piede diam. 100 mm / Leveller diam. 100 mm / Stellfuss Diam. 100 mm

Part	Article-Nr.	SP	TH	L			N				
925	92501	M16	100	65	13	20.000					
925	92502		150	115	13						
925	92503		200	165	13						
926	92601	M20	125	90	16			20.000			
926	92602		175	140	16						
926	92603		225	190	16						
927	92701	M24	125	90	19					20.000	
927	92702		175	140	19						
927	92703		225	190	19						





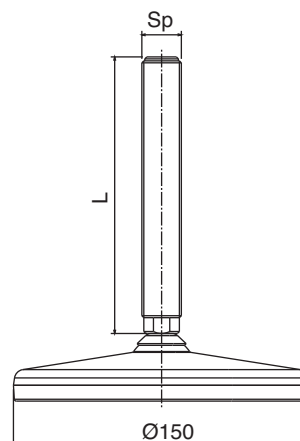
Piede diam. 125 mm / Leveller diam. 125 mm / Stellfuss Diam. 125 mm

Part	Article-Nr.	SP	TH	L			N				
928	92801	M20	130	90	16	30.000					
928	92802		180	140	16						
928	92803		230	190	16						
929	92901	M24	130	90	19			30.000			
929	92902		180	140	19						
929	92903		230	190	19						
930	93001	M30	155	115	24					30.000	
930	93002		205	165	24						
930	93003		255	215	24						





Piede diam. 150 mm / Leveller diam. 150 mm / Stellfuss Diam. 150 mm

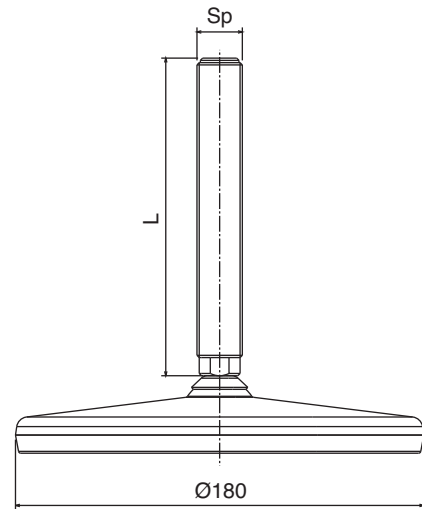
<b>NEW</b>		SP	TH	L			N				
975	97501	M20	125	90	16	35.000					
975	97502		175	140	16						
975	97503		225	190	16						
976	97601	M24	175	140	19			35.000			
976	97602		225	190	19						
976	97603		285	250	19						
977	97702	M30	175	140	24					35.000	
977	97703		225	190	24						
977	97704		285	250	24						



Piede diam. 180 mm / Leveller diam. 180 mm / Stellfuss Diam. 180 mm

**NEW**

Part	Article-Nr.	SP	TH	L			N
978	97801	M20	125	90	16	38.000	
978	97802		175	140	16		
978	97803		225	190	16		
979	97902	M24	125	90	19		
979	97903		175	140	19		
979	97904		225	190	19		
980	98003	M30	225	190	24		
980	98004		285	250	24		
980	98005		335	300	24		

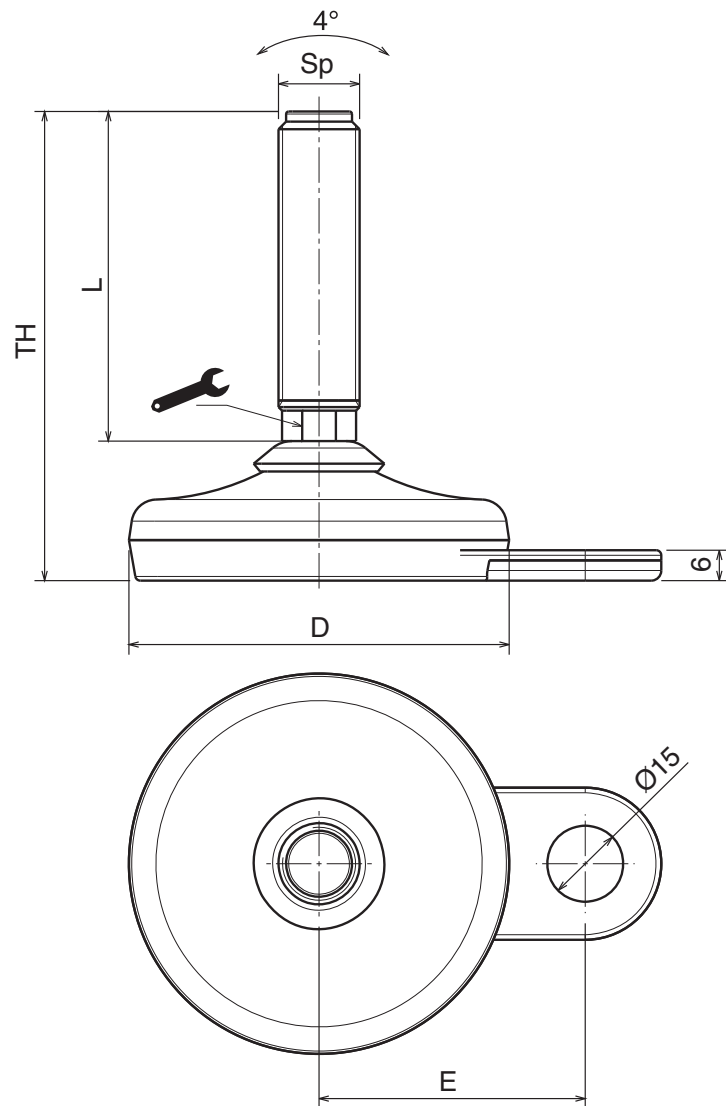


# 934-939



## EASY CLEAN

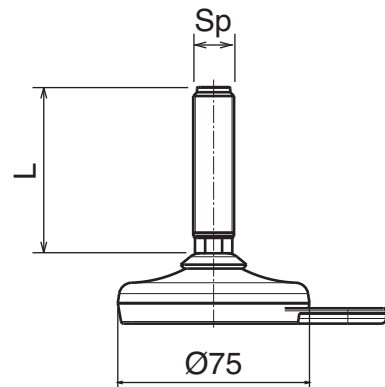
Piede con Foro Fissaggio  
Leveller with Fixing Hole  
Stellfuss mit Befestigungsbohrung

Materiale:	Material:	Materialien:
Basi, stelo e rondella: Acciaio inox	Base plate, spindle and washer: Stainless steel	Fussplatte, Spindel und Scheibe: Edelstahl





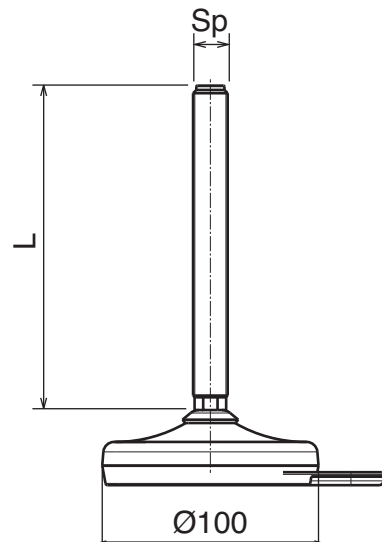
Piede diam. 75 mm con fori fissaggio / Leveller diam. 75 mm with fixing holes  
 Stellfuss diam. 75 mm mit Befestigungsbohrung

Part	Art.-Nr.	Sp	E	TH	L		
934	93401	M12	52,5	80	50	9	8.000
934	93402		52,5	105	75	9	
934	93403		52,5	155	125	9	
935	93501	M16	52,5	95	65	13	
935	93502		52,5	145	115	13	
935	93503		52,5	195	165	13	
936	93601	M20	52,5	95	65	16	
936	93602		52,5	120	90	16	
936	93603		52,5	170	140	16	



Piede diam. 100 mm con fori fissaggio / Leveller diam. 100 mm with fixing holes  
 Stellfuss diam. 100 mm mit Befestigungsbohrung

Part	Art.-Nr.	Sp	E	TH	L		
937	93701	M16	65	100	65	13	20.000
937	93702		65	150	115	13	
937	93703		65	200	165	13	
938	93801	M20	65	125	90	16	
938	93802		65	175	140	16	
938	93803		65	225	190	16	
939	93901	M24	65	125	90	19	
939	93902		65	175	140	19	
939	93903		65	225	190	19	



ACCESSORI / ACCESSORIES / ZUBEHÖR

Dadi acciaio inox / Stainless steel nuts / Mutter Edelstahl

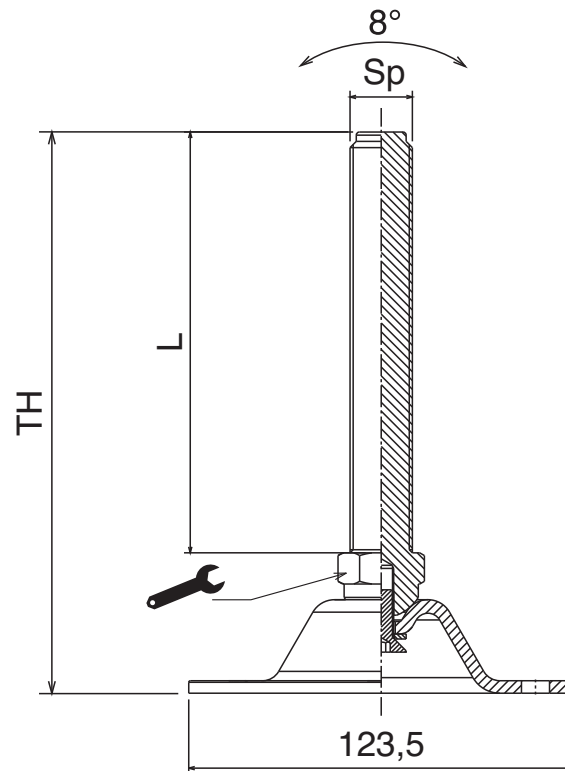


Part	Article-Nr.	Spindle
998	99802	M12
998	99804	M16
998	99805	M20
998	99806	M24

Materiale:	Material:	Materialien:
Acciaio inox o Ferro zincato	Stainless steel or Zinc plated steel	Edelstahl oder Stahl Verzinkt



Ø123



**ACCESSORI / ACCESSORIES / ZUBEHÖR**

**Dadi acciaio inox / Stainless steel nuts / Mutter Edelstahl**



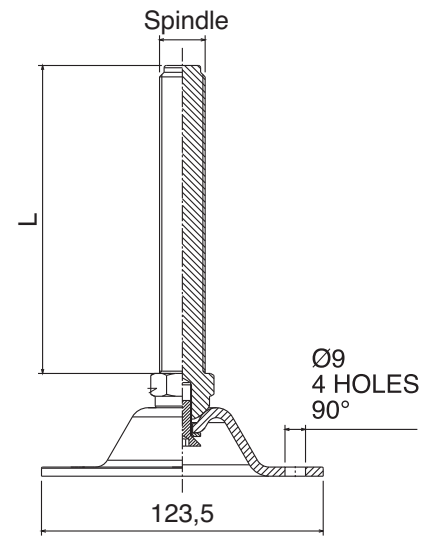
Part	Article-Nr.	Spindle
998	99804	M16
998	99805	M20
998	99806	M24
998	99807	M30

SS: Acciaio inox / Stainless steel / Edelstahl

FeZn: Ferro zincato / Zinc plated steel / Stahl Verzinkt

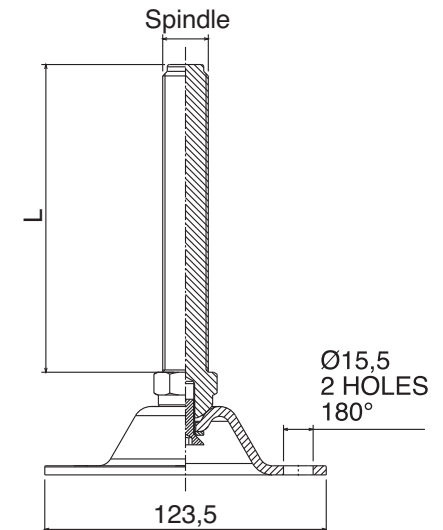
Piede diam. 123 mm con 4 fori 90° / Leveller diam. 123 mm with 4 holes 90°  
Stellfuss diam. 123 mm mit 4 Befestigungsbohrung 90°

Part	Sp		Sp	TH	L	N	Wrench	Nut
	SS	FeZn						
960	P96001H	P96001ZH	M16	155	115	20	10.000	
960	P96002H	P96002ZH		175	135	20		
961	P96101H	P96101ZH	M20	155	115	24		
961	P96102H	P96102ZH		175	135	24		
962	P96201H	P96201ZH	M24	170	125	24		
962	P96202H	P96202ZH		230	185	24		
963	P96301H	P96301ZH	M30	170	125	30		
963	P96302H	P96302ZH		230	185	30		



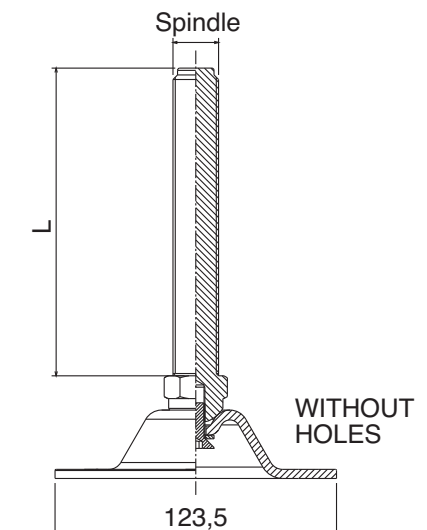
Piede diam. 123 mm con 2 fori 180° / Leveller diam. 123 mm with 2 holes 180°  
Stellfuss diam. 123 mm mit 2 Befestigungsbohrung 180°

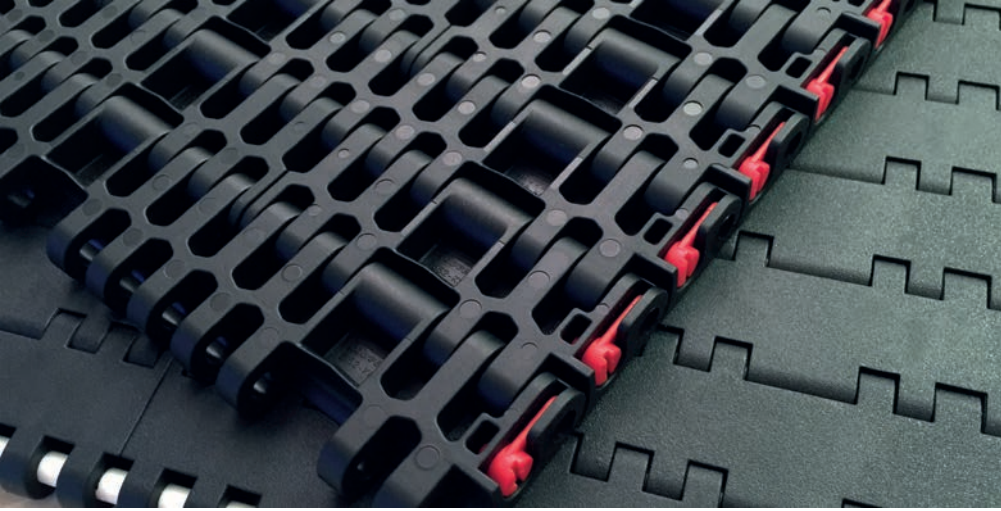
Part	Sp		Sp	TH	L	N	Wrench	Nut
	SS	FeZn						
964	P96401H	P96401ZH	M16	155	115	20	10.000	
964	P96402H	P96402ZH		175	135	20		
965	P96501H	P96501ZH	M20	155	115	24		
965	P96502H	P96502ZH		175	135	24		
966	P96601H	P96601ZH	M24	170	125	24		
966	P96602H	P96602ZH		230	185	24		
967	P96701H	P96701ZH	M30	170	125	32		
967	P96702H	P96702ZH		230	185	32		



Piede diam. 123 mm senza fori / Leveller diam. 123 mm without holes  
Stellfuss diam. 123 mm ohne Befestigungsbohrung

Part	Sp		Sp	TH	L	N	Wrench	Nut
	SS	FeZn						
968	P96801H	P96801ZH	M16	155	115	20	10.000	
968	P96802H	P96802ZH		175	135	20		
969	P96901H	P96901ZH	M20	155	115	24		
969	P96902H	P96902ZH		175	135	24		
970	P97001H	P97001ZH	M24	170	125	24		
970	P97002H	P97002ZH		230	185	24		
971	P97101H	P97101ZH	M30	170	125	32		
971	P97102H	P97102ZH		230	185	32		



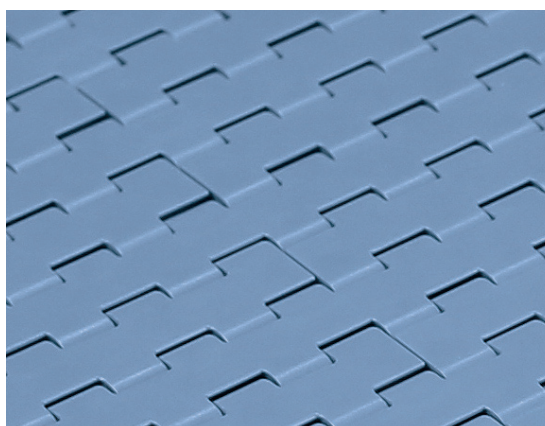
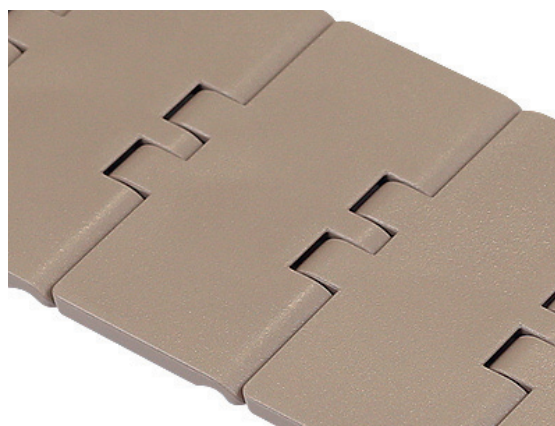




## CHEMICAL RESISTANCES

Chemical Agent up to 65°C	Polyamide	Steel	Stainless Steel Aisi 304	Stainless Steel Aisi 430	<i>LF</i>	<i>MK</i>	<i>MX</i>	UHMW PE	PP/PPX
Acetone	G	U	G	G	G	G	A	G	G
Acetic acid (max. 5%)	U	U	G	U	U	U	G	G	G
Alcohol	G	G	G	G	G	G	G	G	G
Ammonia	G	A	G	G	U	U	A	G	G
Beer	G	G	G	G	G	G	G	G	G
Benzene	G	G	G	G	G	G	U	A	G
Benzol	G	G	G	G	G	G	G	G	A
Carbon tetrachloride	G	A	A	A	G	G	/	A	U
Chocolat	A	G	G	G	G	G	G	A	G
Citric acid	A	U	G	A	A	A	G	G	G
Formic acid	U	G	G	G	G	G	A	G	\
Fresh water	G	U	G	G	G	G	G	G	G
Fruit juices	G	U	G	A	G	G	G	G	G
Hydrochloric acid (max.2%)	U	U	U	U	U	U	A	A	G
Hydrogen peroxide	U	U	G	A	U	U	/	A	\
Iodine	U	A	A	A	A	A	/	A	\
Lactic acid	G	U	G	U	G	G	G	G	G
Milk	G	G	G	G	G	G	G	G	G
Mustard	A	G	G	G	A	A	/	A	G
Nitric acid	U	U	G	A	U	U	U	A	G
Oil (vegetable or mineral)	G	G	G	G	G	G	U	G	G
Paraffin	G	G	G	G	G	G	G	G	\
Petrol	G	G	G	G	G	G	G	A	G
Phosphoric acid (max10%)	U	U	G	U	U	U	U	G	G
Sea water	U	A	G	A	G	G	G	G	G
Soap and water	G	A	G	G	G	G	G	G	G
Sodium hydrochloride	G	U	A	U	G	G	A	G	G
Sodium hydroxide (max.25%)	G	U	G	G	U	U	U	G	\
Sodium hypochlorite	G	U	U	U	U	U	A	G	G
Soft Drinks	G	G	G	G	G	G	G	G	G
Spirits	G	G	G	G	G	G	G	G	G
Sulphide acid	U	U	U	U	U	U	G	U	G
Toluene	U	U	U	U	G	G	G	A	G
Turpentine	U	G	G	G	U	U	G	A	\
Vegetable juices	G	A	G	G	G	G	G	G	G
Vinegar	G	U	A	U	G	G	G	G	G
Whisky	G	G	G	G	G	G	G	G	G
Wine	G	G	G	G	G	G	G	G	G
Xilol	U	U	U	U	U	U	G	U	U

G=good  
A=average  
U=unsatisfactory



materials

### Description

Low friction Acetal Resin. This material can be used in all common applications.

Colour: Light Brown for Chains, RAL 5014 for Belts.

Primary Components: POM

### General information

Material abbreviation	Material	Chemical abbreviation	Allowable application temperatures						FDA Approval
			Fahrenheit			Celsius			
			min	max		min	max		
				dry	wet		dry	wet	
LF	low friction acetal	POM	-40	176	149	-40	80	65	YES
LFA	low friction acetal	POM	-40	176	149	-40	80	65	YES

### Friction Factors Between Material and Product

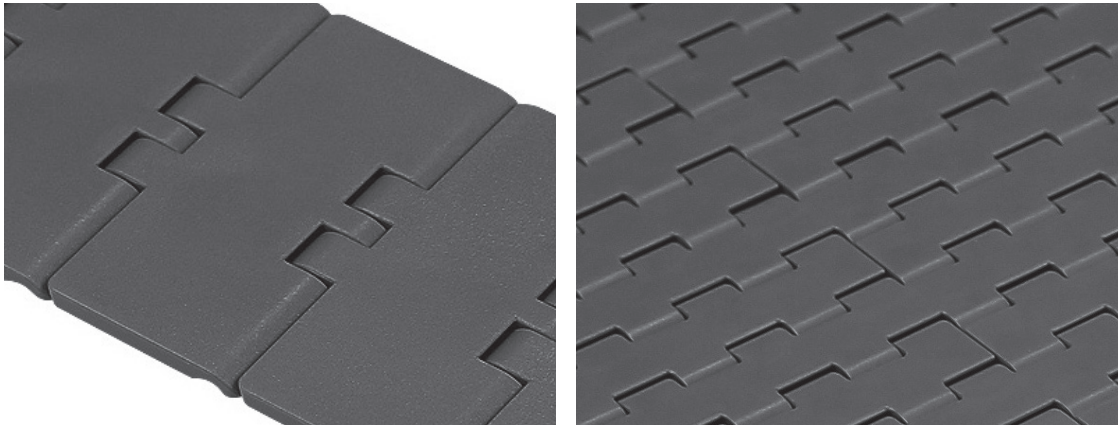
Lubrication	Product Material					
	paper, carton	metal (steel)	aluminium	plastics, PET	glass (returnable)	glass (new)
dry	0,28	0,25	0,25	0,21	0,24	0,20
water	n.a.	0,20	0,18	0,16	0,18	0,15
w&s, dry lube	n.a.	0,15	0,14	0,13	0,14	0,12
oil	n.a.	0,10	n.a.	n.a.	n.a.	n.a.

### Friction Factors Between Material and Wearstrips

Lubrication	Wearstrip Material		
	SS	UHMW-PE, PA	BluLub®
dry	0,24	0,20	0,18
water	0,19	0,16	0,14
w&s, dry lube	0,15	0,10	0,10
oil	0,10	0,10	0,10

#### Note

Material properties and performance of final product are subject to variation according to operating conditions, e.g. environmental conditions, chemicals, cleanliness.



materials

**Description**

Extra Performance material (PBT with additives) with a very low coefficient of friction and improved wear resistance. Recommended for high speed and dry running applications.

Colour: Grey

Primary Components: PBT

**General information**

Material abbreviation	Material	Chemical abbreviation	Allowable application temperatures						FDA Approval
			Fahrenheit			Celsius			
			min	max		min	max		
				dry	wet		dry	wet	
MX	Performance PBT	PBT	-40	248	140	-40	120	60	YES

**Friction Factors Between Material and Product**

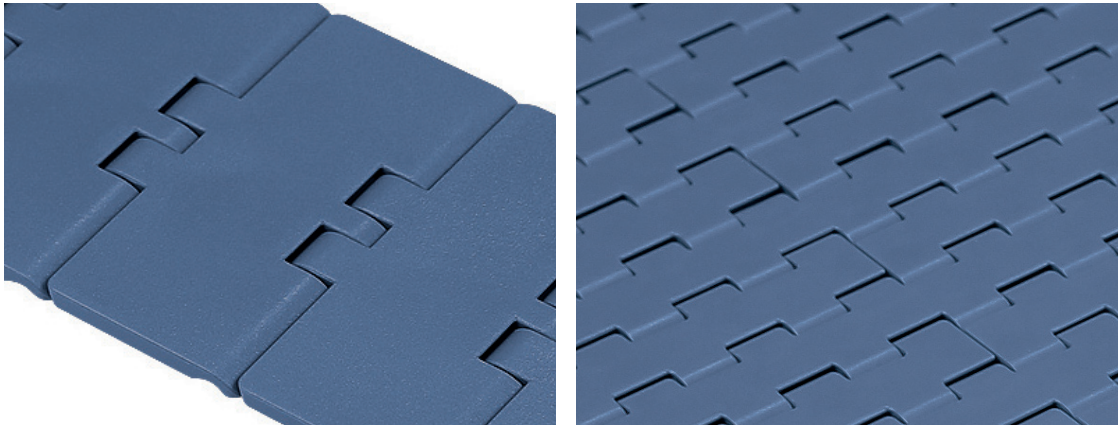
Lubrication	Product Material					
	paper, carton	metal (steel)	aluminium	plastics, PET	glass (returnable)	glass (new)
dry	0,20	0,18	0,15	0,13	0,14	0,12
water	n.a.	0,16	0,14	0,12	0,13	0,12
w&s, dry lube	n.a.	0,13	0,12	0,10	0,11	0,10
oil	n.a.	0,10	n.a.	n.a.	n.a.	n.a.

**Friction Factors Between Material and Wearstrips**

Lubrication	Wearstrip Material		
	SS	UHMW-PE, PA	BluLub®
dry	0,20	0,16	0,13
water	0,17	0,11	0,09
w&s, dry lube	0,14	0,09	0,08
oil	0,10	0,10	0,10

**Note**

Material properties and performance of final product are subject to variation according to operating conditions, e.g. environmental conditions, chemicals, cleanliness.

**Description**

*Super Low Friction Acetal Resin. The internal-lubrication-additives ensure continuous low friction resulting in higher efficiency and optimum service life. This material is specially developed for glass, can and PET lines where external lubrication has to be avoided or limited.*

*Colour: Blue*

*Primary Components: POM*

**General information**

Material abbreviation	Material	Chemical abbreviation	Allowable application temperatures						FDA Approval
			Fahrenheit			Celsius			
			min	max		min	max		
				dry	wet		dry	wet	
MK	Super Performance Acetal	POM	-40	176	149	-40	80	65	YES

**Friction Factors Between Material and Product**

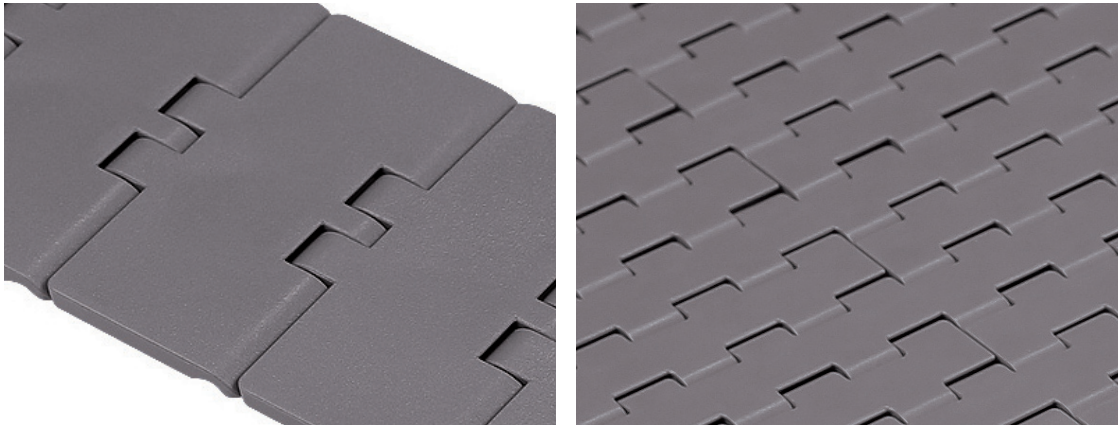
Lubrication	Product Material					
	paper, carton	metal (steel)	aluminium	plastics, PET	glass (returnable)	glass (new)
dry	0,23	0,20	0,20	0,18	0,20	0,15
water	n.a.	0,18	0,15	0,14	0,15	0,13
w&s, dry lube	n.a.	0,15	0,13	0,12	0,12	0,12
oil	n.a.	0,10	n.a.	n.a.	n.a.	n.a.

**Friction Factors Between Material and Wearstrips**

Lubrication	Wearstrip Material		
	SS	UHMW-PE, PA	<i>BluLub®</i>
dry	0,22	0,18	0,16
water	0,18	0,14	0,13
w&s, dry lube	0,15	0,10	0,10
oil	0,10	0,10	0,10

**Note**

Material properties and performance of final product are subject to variation according to operating conditions, e.g. environmental conditions, chemicals, cleanliness.



materials

**Description**

High performance Material with a low coefficient of friction.  
This material can increase wear life 25% over LF material.  
Colour: Brown  
Primary Components: POM

**General information**

Material abbreviation	Material	Chemical abbreviation	Allowable application temperatures						FDA Approval
			Fahrenheit			Celsius			
			min	max		min	max		
				dry	wet		dry	wet	
MP	Lucricated Acetal	POM	-40	176	149	-40	80	65	YES

**Friction Factors Between Material and Product**

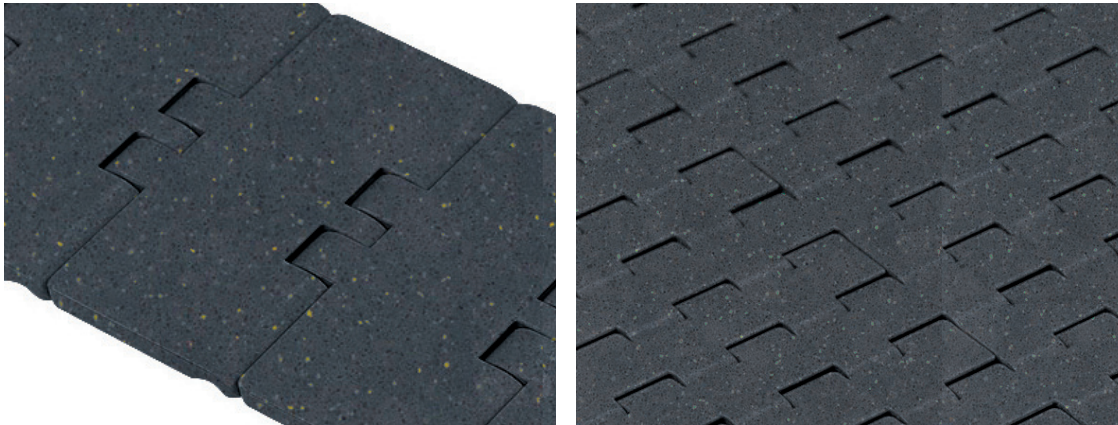
Lubrication	Product Material					
	paper, carton	metal (steel)	aluminium	plastics, PET	glass (returnable)	glass (new)
dry	0,24	0,22	0,21	0,19	0,21	0,16
water	n.a.	0,19	0,17	0,15	0,17	0,14
w&s, dry lube	n.a.	0,15	0,14	0,13	0,13	0,12
oil	n.a.	0,10	n.a.	n.a.	n.a.	n.a.

**Friction Factors Between Material and Wearstrips**

Lubrication	Wearstrip Material		
	SS	UHMW-PE, PA	BluLub®
dry	0,23	0,19	0,17
water	0,19	0,15	0,14
w&s, dry lube	0,15	0,10	0,10
oil	0,10	0,10	0,10

**Note**

Material properties and performance of final product are subject to variation according to operating conditions, e.g. environmental conditions, chemicals, cleanliness.

**Description**

Aramide reinforced acetal material. It's commonly used in dry running glass handling applications.

Colour: Grey

Primary Component: POM

**General information**

Material abbreviation	Material	Chemical abbreviation	Allowable application temperatures						FDA Approval
			Fahrenheit			Celsius			
			min	max		min	max		
				dry	wet		dry	wet	
DKM	Aramide reinforced acetal	POM	-40	176	149	-40	80	65	–

**Friction Factors Between Material and Product**

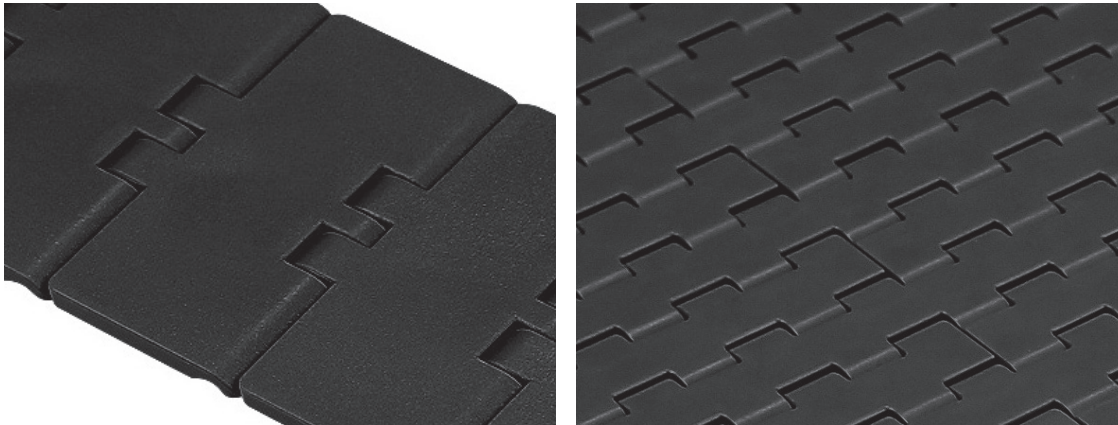
Lubrication	Product Material					
	paper, carton	metal (steel)	aluminium	plastics, PET	glass (returnable)	glass (new)
dry	0,21	0,19	0,16	0,20	0,15	0,13
water	n.a.	0,17	0,15	0,15	0,14	0,13
w&s, dry lube	n.a.	0,14	0,13	0,13	0,12	0,11
oil	n.a.	0,10	n.a.	n.a.	n.a.	n.a.

**Friction Factors Between Material and Wearstrips**

Lubrication	Wearstrip Material		
	SS	UHMW-PE, PA	<i>BluLub®</i>
dry	0,21	0,19	0,17
water	0,18	0,15	0,14
w&s, dry lube	0,15	0,11	0,11
oil	0,10	0,10	0,10

**Note**

Material properties and performance of final product are subject to variation according to operating conditions, e.g. environmental conditions, chemicals, cleanliness.



materials

**Description**

MWX increases wear life. Used in applications where chain is subject to abrasives conditions such as glass sand and dirt.

Colour: Black

Primary Component: Nylon (PA)

**General information**

Material abbreviation	Material	Chemical abbreviation	Allowable application temperatures						FDA Approval
			Fahrenheit			Celsius			
			min	max		min	max		
				dry	wet		dry	wet	
MWX	Polyamid Composite	PA	-40	219	N.R.	-40	104	N.R.	-

**Friction Factors Between Material and Product**

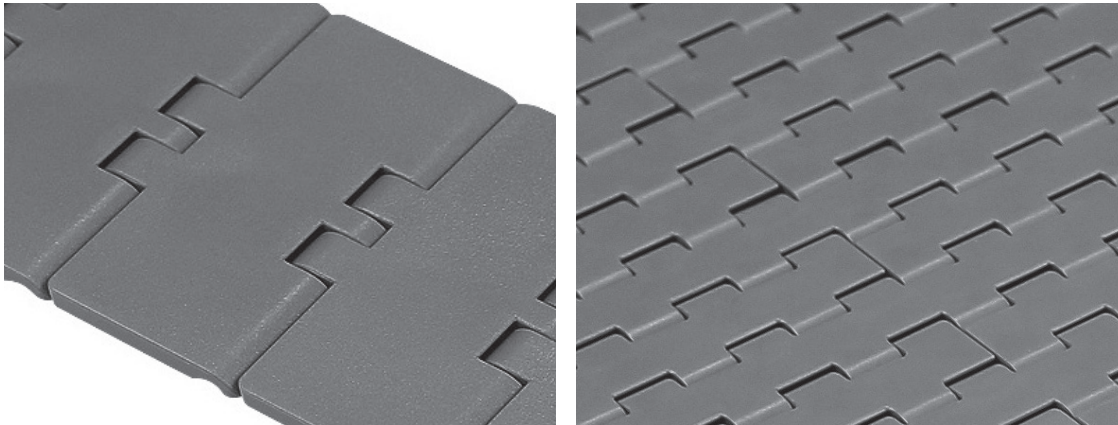
Lubrication	Product Material					
	paper, carton	metal (steel)	aluminium	plastics, PET	glass (returnable)	glass (new)
dry	0,24	0,21	0,18	0,15	0,17	0,14
water	n.a.	0,19	0,17	0,14	0,15	0,14
w&s, dry lube	n.a.	0,15	0,14	0,12	0,13	0,12
oil	n.a.	0,10	n.a.	n.a.	n.a.	n.a.

**Friction Factors Between Material and Wearstrips**

Lubrication	Wearstrip Material		
	SS	UHMW-PE, PA	BluLub®
dry	0,24	0,19	0,15
water	0,20	0,13	0,11
w&s, dry lube	0,17	0,11	0,09
oil	0,10	0,10	0,10

**Note**

Material properties and performance of final product are subject to variation according to operating conditions, e.g. environmental conditions, chemicals, cleanliness.



materials

**Description**

*Polypropylene for better chemical resistance and higher temperatures.*

*Colour: Grey*

*Primary Component: PP*

**General information**

Material abbreviation	Material	Chemical abbreviation	Allowable application temperatures						FDA Approval
			Fahrenheit			Celsius			
			min	max		min	max		
				dry	wet		dry	wet	
PP	Polypropylene	PP	40	220	212	4	104	100	YES

**Friction Factors Between Material and Product**

Lubrication	Product Material					
	paper, carton	metal (steel)	aluminium	plastics, PET	glass (returnable)	glass (new)
dry	0,40	0,30	0,32	0,28	0,29	0,26
water	n.a.	0,24	0,26	0,22	0,23	0,21
w&s, dry lube	n.a.	0,20	0,20	0,18	0,19	0,18
oil	n.a.	0,10	n.a.	n.a.	n.a.	n.a.

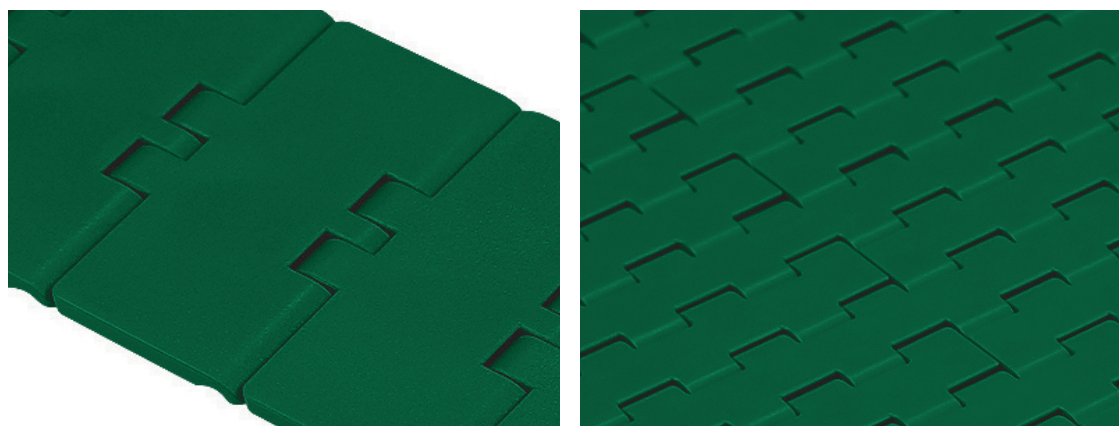
**Friction Factors Between Material and Wearstrips**

Lubrication	Wearstrip Material		
	SS	UHMW-PE, PA	BluLub®
dry	0,29	0,24	0,21
water	0,23	0,19	0,17
w&s, dry lube	0,19	0,13	0,13
oil	0,10	0,10	0,10

**Note**

Material properties and performance of final product are subject to variation according to operating conditions, e.g. environmental conditions, chemicals, cleanliness.





materials

### Description

Reinforced Polypropylene for improved heat stability and chemical resistance.

Colour: Green

Primary Component: PP

### General information

Material abbreviation	Material	Chemical abbreviation	Allowable application temperatures						FDA Approval
			Fahrenheit			Celsius			
			min	max		min	max		
				dry	wet		dry	wet	
PPX	Reinforced Polypropylene	PP	40	220	212	4	104	100	YES

### Friction Factors Between Material and Product

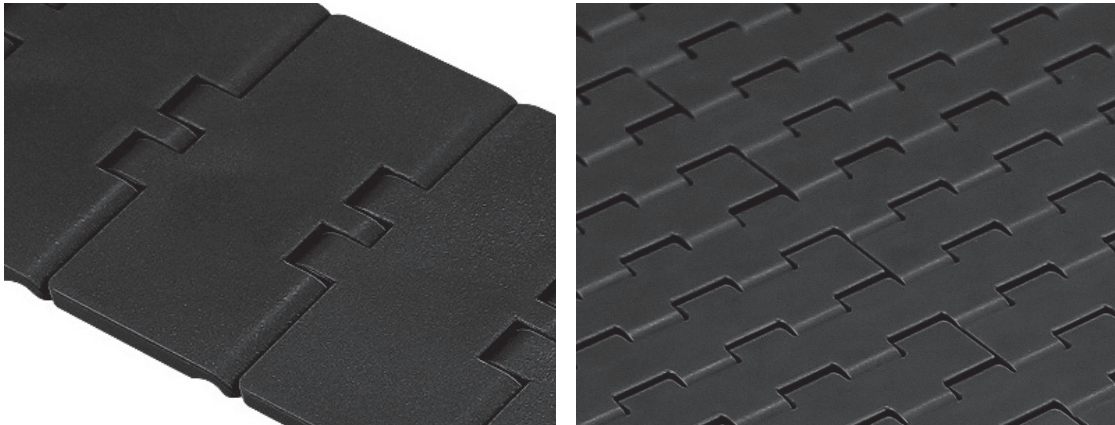
Lubrication	Product Material					
	paper, carton	metal (steel)	aluminium	plastics, PET	glass (returnable)	glass (new)
dry	0,40	0,30	0,32	0,28	0,29	0,26
water	n.a.	0,24	0,26	0,22	0,23	0,21
w&s, dry lube	n.a.	0,20	0,20	0,18	0,19	0,18
oil	n.a.	0,10	n.a.	n.a.	n.a.	n.a.

### Friction Factors Between Material and Wearstrips

Lubrication	Wearstrip Material		
	SS	UHMW-PE, PA	BluLub®
dry	0,29	0,24	0,21
water	0,23	0,19	0,17
w&s, dry lube	0,19	0,13	0,13
oil	0,10	0,10	0,10

#### Note

Material properties and performance of final product are subject to variation according to operating conditions, e.g. environmental conditions, chemicals, cleanliness.

**Description**

AS material eliminates the static accumulation that can happen during conveying products.

Colour: Black

Primary Components: POM

**General information**

Material abbreviation	Material	Chemical abbreviation	Allowable application temperatures						FDA Approval
			Fahrenheit			Celsius			
			min	max		min	max		
				dry	wet		dry	wet	
AS	Antistatic Acetal	POM	-0,4	180	N.R.	-18	82	N.R.	YES

**Friction Factors Between Material and Product**

Lubrication	Product Material					
	paper, carton	metal (steel)	aluminium	plastics, PET	glass (returnable)	glass (new)
dry	0,35	0,28	0,29	0,25	0,27	0,24
water	n.a.	n.a.	n.a.	n.a.	n.a.	n.a.
w&s, dry lube	n.a.	n.a.	n.a.	n.a.	n.a.	n.a.
oil	n.a.	n.a.	n.a.	n.a.	n.a.	n.a.

**Friction Factors Between Material and Wearstrips**

Lubrication	Wearstrip Material		
	SS	UHMW-PE, PA	<i>BluLub®</i>
dry	0,27	0,22	0,20
water	n.a.	n.a.	n.a.
w&s, dry lube	n.a.	n.a.	n.a.
oil	n.a.	n.a.	n.a.

**Note**

Material properties and performance of final product are subject to variation according to operating conditions, e.g. environmental conditions, chemicals, cleanliness.



materials

**Description**

Ferritic Stainless Steel (1.4016) for standard applications.

**General information**

Material abbreviation	Material	Chemical abbreviation	Allowable application temperatures						FDA Approval
			Fahrenheit			Celsius			
			min	max		min	max		
				dry	wet		dry	wet	
SS	Standard Stainless Steel	1.4016	-22	750	265	-30	400	130	–

**Friction Factors Between Material and Product**

Lubrication	Product Material					
	paper, carton	metal (steel)	aluminium	plastics, PET	glass (returnable)	glass (new)
dry	0,40	0,50	0,35	0,30	0,47	0,35
water	n.a.	0,35	0,30	0,25	0,31	0,30
w&s, dry lube	n.a.	0,20	0,15	0,15	0,21	0,15
oil	n.a.	0,20	n.a.	n.a.	n.a.	n.a.

**Friction Factors Between Material and Wearstrips**

Lubrication	Wearstrip Material		
	SS	UHMW-PE, PA	BluLub®
dry	n.a.	0,35	0,32
water	0,40	0,27	0,24
w&s, dry lube	0,20	0,18	0,15
oil	0,20	0,18	0,15

**Note**

Material properties and performance of final product are subject to variation according to operating conditions, e.g. environmental conditions, chemicals, cleanliness.



materials

### Description

Specially treated Ferritic Stainless Steel (1.4589) for improved working-load and less friction.

### General information

Material abbreviation	Material	Chemical abbreviation	Allowable application temperatures						FDA Approval
			Fahrenheit			Celsius			
			min	max dry	wet	min	max dry	wet	
SSE	Special Stainless Steel	1.4589	-22	750	265	-30	400	130	–

### Friction Factors Between Material and Product

Lubrication	Product Material					
	paper, carton	metal (steel)	aluminium	plastics, PET	glass (returnable)	glass (new)
dry	0,38	0,48	0,33	0,29	0,45	0,33
water	n.a.	0,33	0,29	0,24	0,29	0,29
w&s, dry lube	n.a.	0,19	0,14	0,14	0,20	0,14
oil	n.a.	0,19	n.a.	n.a.	n.a.	n.a.

### Friction Factors Between Material and Wearstrips

Lubrication	Wearstrip Material		
	SS	UHMW-PE, PA	BluLub®
dry	n.a.	0,33	0,30
water	0,38	0,26	0,23
w&s, dry lube	0,19	0,17	0,14
oil	0,19	0,17	0,14

#### Note

Material properties and performance of final product are subject to variation according to operating conditions, e.g. environmental conditions, chemicals, cleanliness.



materials

**Description**

*Specially treated Ferritic Stainless Steel (1.4589) with optimized surface finish for superior sliding properties. For High-Speed and more critical applications.*

**General information**

Material abbreviation	Material	Chemical abbreviation	Allowable application temperatures						FDA Approval
			Fahrenheit			Celsius			
			min	max		min	max		
				dry	wet		dry	wet	
SSM	Max Speed Stainless Steel	1.4589	-22	750	265	-30	400	130	–

**Friction Factors Between Material and Product**

Lubrication	Product Material					
	paper, carton	metal (steel)	aluminium	plastics, PET	glass (returnable)	glass (new)
dry	0,34	0,43	0,30	0,26	0,40	0,30
water	n.a.	0,30	0,26	0,21	0,26	0,26
w&s, dry lube	n.a.	0,17	0,13	0,13	0,18	0,13
oil	n.a.	0,17	n.a.	n.a.	n.a.	n.a.

**Friction Factors Between Material and Wearstrips**

Lubrication	Wearstrip Material		
	SS	UHMW-PE, PA	<i>BluLub®</i>
dry	n.a.	0,32	0,29
water	0,36	0,24	0,22
w&s, dry lube	0,18	0,16	0,14
oil	0,18	0,16	0,14

**Note**

Material properties and performance of final product are subject to variation according to operating conditions, e.g. environmental conditions, chemicals, cleanliness.



# Index

100003-30	181	10140203	15	103600B	192	10601	175	11020303	23
10010102	9	10140205	15	103700B	192	10602	175	11020802	23
10010103	9	10140207	15	103803	168	10701	175	11020803	23
10010104	9	101403	169	103923	206	10702	175	11021302	23
10010105	9	101403C	169	103923-30	206	10801	175	11021303	23
10010106	9	101503	169	103923C	206	10801C	175	11021602	23
10010107	9	101503C	169	10401	167	10802	175	11021603	23
10010202	9	10160102	16	10402	167	10802C	175	11021702	23
10010203	9	10160104	16	104103	196	10901	176	11021703	23
10010204	9	10160105	16	104103C	196	10901B	176	11030102	24
10010205	9	10160107	16	104203	196	10901BC	176	11030105	24
10010206	9	101603	169	104203C	196	10901C	176	11030107	24
10010207	9	101603C	169	104303	196	10902	176	11030302	24
10010302	8	101703	169	104303C	196	10902C	176	11030305	24
10010303	8	101703-30	169	104403	197	11001	176	11030307	24
100103-30	181	101703C	169	104403C	197	11001C	176	11030802	24
10020102	17	10180107	16	104503	197	11002	176	11030805	24
100203-30	181	101803	170	104503C	197	11002C	176	11030807	24
10030107	10	101803C	170	10501	175	11010102	20	11031302	24
10030207	10	101903	170	10502	175	11010103	20	11031305	24
100303-30	181	101903C	170	10503	175	11010104	20	11031307	24
10040107	17	102003	170	10504	175	11010105	20	11031602	24
100403-30	181	102003C	170	10505	175	11010106	20	11031605	24
10050107	10	10201	166	10506	175	11010107	20	11031607	24
100603-30	182	10202	166	10507	175	11010114	20	11031702	24
10070100	11	102103	171	10508	175	11010302	20	11031705	24
10070101	11	102103-30	171	105203	180	11010303	20	11031707	24
10070108	11	102103-75	171	105203C	180	11010304	20	11040107	25
10070109	11	102103C	171	105303	197	11010305	20	11040108	25
100703	183	102203	171	105303C	197	11010306	20	11040109	25
100703B	183	102203-30	171	105403	197	11010307	20	11040307	25
10080102	13	102203C	171	105403C	197	11010314	20	11040308	25
10080103	13	102303	171	105501	199	11010802	20	11040309	25
10080105	13	102303C	171	105501C	199	11010803	20	11040807	25
10080107	13	102403	171	105503	199	11010804	20	11040808	25
10080202	13	102403-30	171	105503C	199	11010805	20	11040809	25
10080203	13	102403C	171	105600B	204	11010806	20	11041307	25
10080205	13	102503	172	105600BC	204	11010807	20	11041308	25
10080207	13	102503-30	172	105604	204	11010814	20	11041309	25
100803	183	102503C	172	105604C	204	11011302	21	11041607	25
10080302	12	102603	172	105630B	204	11011303	21	11041608	25
10080303	12	102603C	172	105630BC	204	11011304	21	11041609	25
100803B	183	102703	172	105634	204	11011305	21	11041707	25
100903-30	183	102703C	172	105634C	204	11011306	21	11041708	25
10100102	14	102803	172	105700B	204	11011307	21	11041709	25
10100105	14	102803C	172	105700BC	204	11011314	21	11050107	26
10100107	14	102903	173	105704	204	11011602	21	11050108	26
10100202	14	102903C	173	105704C	204	11011603	21	11050109	26
101003-30	184	103003	173	105801	168	11011604	21	11050307	26
10101	166	103003C	173	105801C	168	11011605	21	11050308	26
10102	166	10300B-30	166	105802	168	11011606	21	11050309	26
101103-30	184	10301	166	105802C	168	11011607	21	11060107	27
10120102	14	10302	166	105901	179	11011614	21	11060108	27
10120105	14	103103	173	105901B	179	11011702	21	11060109	27
10120107	14	103103C	173	105901BC	179	11011703	21	11070107	28
101203-30	185	103203	173	105901C	179	11011704	21	11070108	28
101303	185	103203C	173	105902	179	11011705	21	11070109	28
10140102	15	103303	174	105902C	179	11011706	21	11070307	28
10140103	15	103303C	174	10596	175	11011707	21	11070308	28
10140104	15	103403	174	106001	179	11011714	21	11070309	28
10140105	15	103403C	174	106001C	179	11020102	23	11070807	28
10140107	15	103503	174	106002	179	11020103	23	11070808	28
10140202	15	103503C	174	106002C	179	11020302	23	11070809	28





14950C	178	150704	147	152251	150	153104	152	153801	153
14952	178	150706	147	152252	150	153106	152	153802	153
14952C	178	150707	147	152253	150	153107	152	153803	153
15001	168	150708	147	152254	150	153108	152	153804	153
15002	168	150751	147	152301	150	153150	152	153806	153
150101	146	150752	147	152302	150	153151	152	153807	153
150102	146	150753	147	152303	150	153152	152	153808	153
150103	146	150754	147	152304	150	153153	152	153851	153
150104	146	151101	149	152306	150	153154	152	153852	153
150106	146	151102	149	152307	150	153201	152	153853	153
150107	146	151103	149	152308	150	153202	152	153854	153
150108	146	151104	149	152350	150	153203	152	15401	195
150150	146	151106	149	152351	150	153204	152	15401B	195
150151	146	151107	149	152352	150	153206	152	15401BC	195
150152	146	151108	149	152353	150	153207	152	15401C	195
150153	146	151150	149	152354	150	153208	152	154101	156
150154	146	151151	149	152401	150	153250	152	154102	156
150201	146	151152	149	152402	150	153251	152	154103	156
150202	146	151153	149	152403	150	153252	152	154104	156
150203	146	151154	149	152404	150	153253	152	154150	156
150204	146	151201	149	152406	150	153254	152	154151	156
150206	146	151202	149	152407	150	153301	152	154152	156
150207	146	151203	149	152408	150	153302	152	154153	156
150208	146	151204	149	152450	150	153303	152	154154	156
150250	146	151206	149	152451	150	153304	152	154201	156
150251	146	151207	149	152452	150	153306	152	154202	156
150252	146	151208	149	152453	150	153307	152	154203	156
150253	146	151250	149	152454	150	153308	152	154204	156
150254	146	151251	149	152501	151	153350	152	154250	156
150301	146	151252	149	152502	151	153351	152	154251	156
150302	146	151253	149	152503	151	153352	152	154252	156
150303	146	151254	149	152504	151	153353	152	154253	156
150304	146	151301	149	152506	151	153354	152	154254	156
150306	146	151302	149	152507	151	153401	152	154301	156
150307	146	151303	149	152508	151	153402	152	154302	156
150308	146	151304	149	152551	151	153403	152	154303	156
150350	146	151306	149	152552	151	153404	152	154304	156
150351	146	151307	149	152553	151	153406	152	154350	156
150352	146	151308	149	152554	151	153407	152	154351	156
150353	146	151350	149	152601	151	153408	152	154352	156
150354	146	151351	149	152602	151	153450	152	154353	156
150401	146	151352	149	152603	151	153451	152	154354	156
150402	146	151353	149	152604	151	153452	152	154501	157
150403	146	151354	149	152606	151	153453	152	154502	157
150404	146	151401	149	152607	151	153454	152	154503	157
150406	146	151402	149	152608	151	153501	153	154504	157
150407	146	151403	149	15263	186	153502	153	154506	157
150408	146	151404	149	152651	151	153503	153	154507	157
150450	146	151406	149	152652	151	153504	153	154508	157
150451	146	151407	149	152653	151	153506	153	154551	157
150452	146	151408	149	152654	151	153507	153	154552	157
150453	146	151450	149	15267	186	153508	153	154553	157
150454	146	151451	149	152701	151	153551	153	154554	157
150501	147	151452	149	152702	151	153552	153	154601	157
150502	147	151453	149	152703	151	153553	153	154602	157
150503	147	151454	149	152704	151	153554	153	154603	157
150504	147	15201	186	152706	151	153601	153	154604	157
150506	147	15201C	186	152707	151	153602	153	154606	157
150507	147	152101	150	152708	151	153603	153	154607	157
150508	147	152102	150	152751	151	153604	153	154608	157
150551	147	152103	150	152752	151	153606	153	154651	157
150552	147	152104	150	152753	151	153607	153	154652	157
150553	147	152106	150	152754	151	153608	153	154653	157
150554	147	152107	150	152801	151	153651	153	154654	157
150601	147	152108	150	152802	151	153652	153	154701	157
150602	147	152150	150	152803	151	153653	153	154702	157
150603	147	152151	150	152804	151	153654	153	154703	157
150604	147	152152	150	152806	151	153701	153	154704	157
150606	147	152153	150	152807	151	153702	153	154706	157
150607	147	152154	150	152808	151	153703	153	154707	157
150608	147	152201	150	152851	151	153704	153	154708	157
150651	147	152202	150	152852	151	153706	153	154751	157
150652	147	152203	150	152853	151	153707	153	154752	157
150653	147	152204	150	152854	151	153708	153	154753	157
150654	147	152206	150	15303-30	182	153751	153	154754	157
150701	147	152207	150	153101	152	153752	153	15501	195
150702	147	152208	150	153102	152	153753	153	15501C	195
150703	147	152250	150	153103	152	153754	153	155104	161

155105	161	157104	160	158408	148	161353	155	16601	206
155106	161	157150	160	158450	148	161354	155	16602	206
155107	161	157151	160	158451	148	161401	154	16603	206
155108	161	157152	160	158452	148	161402	154	16604	206
155204	161	157153	160	158453	148	161403	154	16700B-30	193
155206	161	157154	160	158454	148	161404	154	16700B-75	193
155207	161	157201	160	15901	199	161406	154	16801B	192
155208	161	157202	160	15901C	199	161407	154	16802B	192
155306	161	157203	160	159936E	144	161408	154	16901B	192
155307	161	157204	160	16003	194	161450	155	16902B	192
155308	161	157250	160	16003C	194	161451	155	17001B	192
155309	161	157251	160	160101E	144	161452	155	17002B	192
155310	161	157252	160	160111E	144	161453	155	17100B	193
155311	161	157253	160	160201E	144	161454	155	17200B	193
155905	161	157254	160	160206E	144	162001	158	17300B	193
155908	161	157301	160	160301	144	162002	158	17401	168
155909	161	157302	160	160302	144	162003E	158	17401C	168
155910	161	157303	160	160303	144	162004E	158	17402	168
155912	161	157304	160	160304	144	162006	158	17402C	168
15601	176	157350	160	160306	144	162007	158	17501	167
15601C	176	157351	160	160307	144	162008E	158	17502	167
15602	176	157352	160	160308	144	16202	194	17601	166
15602C	176	157353	160	160704	161	16202C	194	17602	166
156101	145	157354	160	160705	161	16203	194	17701	178
156102	145	157401	160	160706	161	16203C	194	17701B	178
156103	145	157402	160	160707	161	162050	159	17701BC	178
156104	145	157403	160	160708	161	162051	159	17701C	178
156106	145	157404	160	160804	161	162052	159	17702	178
156107	145	157450	160	160806	161	162053E	159	17702C	178
156108	145	157451	160	160807	161	162054E	159	17801	179
156150	145	157452	160	160808	161	162101	158	17801B	179
156151	145	157453	160	160906	161	162102	158	17801BC	179
156152	145	157454	160	160907	161	162103	158	17801C	179
156153	145	15800	200	160908	161	162104	158	17802	179
156154	145	15800B	200	160909	161	162106	158	17802C	179
156201	145	15800BC	200	160910	161	162107	158	17901	167
156202	145	15800C	200	160911	161	162108E	158	17901C	167
156203	145	15801	200	161005	161	162150	159	17902	167
156204	145	15801B	200	161008	161	162151	159	17902C	167
156206	145	15801BC	200	161009	161	162152	159	18003	180
156207	145	15801C	200	161010	161	162153	159	18003C	180
156208	145	15802	200	161012	161	162154	159	18103	180
156250	145	15802B	200	16103	194	162201	158	18103C	180
156251	145	15802BC	200	16103C	194	162202	158	18200B	201
156252	145	15802C	200	161101	154	162203	158	18200BC	201
156253	145	15803	200	161102	154	162204	158	18204	201
156254	145	15803B	200	161103	154	162206	158	18204C	201
156301	145	15803BC	200	161104	154	162207	158	18301	206
156302	145	15803C	200	161106	154	162208	158	18301B	206
156303	145	158101E	148	161107	154	162250	159	18301BC	206
156304	145	158106E	148	161108	154	162251	159	18301C	206
156306	145	158150E	148	161150	155	162252	159	18401	189
156307	145	158151E	148	161151	155	162253	159	18401C	189
156308	145	158201E	148	161152	155	162254	159	18463	189
156350	145	158202E	148	161153	155	162301	158	18467	189
156351	145	158206E	148	161154	155	162302	158	18600B	205
156352	145	158207E	148	161201	154	162303	158	18600BC	205
156353	145	158250E	148	161202	154	162304	158	18604	205
156354	145	158251E	148	161203	154	162306	158	18604C	205
156401	145	158252E	148	161204	154	162307	158	18720B	203
156402	145	158301	148	161206	154	162308	158	18720BC	203
156403	145	158302	148	161207	154	162350	159	18724	203
156404	145	158303	148	161208	154	162351	159	18724C	203
156406	145	158304	148	161250	155	162352	159	18730B	203
156407	145	158306	148	161251	155	162353	159	18730BC	203
156408	145	158307	148	161252	155	162354	159	18734	203
156450	145	158308	148	161253	155	16303	194	18734C	203
156451	145	158350	148	161254	155	16303C	194	18740B	203
156452	145	158351	148	161301	154	16313	194	18740BC	203
156453	145	158352	148	161302	154	16313C	194	18744	203
156454	145	158353	148	161303	154	16323	194	18744C	203
15701	177	158354	148	161304	154	16323C	194	18801	190
15701C	177	158401	148	161306	154	16324	194	18801C	190
15702	177	158402	148	161307	154	16324C	194	18900B	202
15702C	177	158403	148	161308	154	16401	194	18900BC	202
157101	160	158404	148	161350	155	16401C	194	18904	202
157102	160	158406	148	161351	155	16501	194	18904C	202
157103	160	158407	148	161352	155	16501C	194	18910B	202

18910BC	202	21505	217	30106	221	31502	228	35103	238
18914	202	21505Y	217	30201	221	31601	228	35151	238
18914C	202	21506	217	30202	221	31602	228	35152	238
18920B	202	21506Y	217	30203	221	31701	229	35153	238
18920BC	202	21507	217	30204	221	31797	229	35201	238
18924	202	21508	217	30205	221	31798	229	35202	238
18924C	202	21508Y	217	30206	221	31799	229	35203	238
18930B	202	21701	217	30501	222	31801	229	35251	238
18930BC	202	21702	217	30502	222	31901	230	35252	238
18934	202	21703	217	30503	222	32001	230	35253	238
18934C	202	21704	217	30504	222	32002	230	35301	247
18940B	202	21705	217	30505	222	32101	231	35302	247
18940BC	202	21901	210	30506	222	32201	231	35303	247
18944	202	21902	210	30601	222	32301	231	35401	247
18944C	202	21903	210	30602	222	32401	232	35402	247
19200B	193	21951	210	30603	222	32501	232	35403	247
19320B	203	21952	210	30604	222	32601	232	35501	247
19320BC	203	21953	210	30605	222	32701	232	35502	247
19324	203	22001	211	30606	222	32702	232	35503	247
19324C	203	22002	211	30701	223	32703	232	35601	240
19999	190	22003	211	30702	223	32801	233	35602	240
20101	210	22051	211	30703	223	32802	233	35603	240
20102	210	22052	211	30704	223	32811	233	35701	240
20103	210	22053	211	30705	223	32901	233	35702	240
20151	210	22101	217	30706	223	32902	233	35703	240
20152	210	22101Y	217	30709	223	32903	233	35800	246
20153	210	22102	217	30710	223	32911	233	35802	242
20201	210	22102Y	217	30801	223	32912	233	35804	242
20202	210	22103	217	30802	223	32913	233	35806	242
20203	210	22104	217	30803	223	33001	233	35900	246
20251	210	22104Y	217	30804	223	33002	233	35902	242
20252	210	22201	212	30805	223	33003	233	35904	242
20253	210	22202	212	30806	223	33004	233	35906	242
20301	211	22203	212	30901	224	33101	236	36000	246
20302	211	22251	212	30902	224	33102	236	36002	243
20303	211	22252	212	30903	224	33103	236	36004	243
20351	211	22253	212	30904	224	33301	246	36006	243
20352	211	22301	213	30905	224	33502	241	36100	246
20353	211	22302	213	30906	224	33504	241	36102	243
20401	211	22303	213	31001	224	33506	241	36104	243
20402	211	22351	213	31002	224	33601	234	36106	243
20403	211	22352	213	31003	224	33701	237	36201	246
20451	211	22353	213	31004	224	33702	237	36202	246
20452	211	22401	212	31005	224	33801	237	36203	246
20453	211	22402	212	31006	224	33802	237	36301	248
20701	216	22403	212	31101	225	33901	237	36302	248
20702	216	22451	212	31102	225	33902	237	36303	248
20703	216	22452	212	31103	225	33903	237	36304	248
20704	216	22453	212	31104	225	34101	235	36401	242
20705	216	22501	213	31105	225	34102	235	36411	242
20706	216	22502	213	31106	225	34103	235	36421	245
20707	216	22503	213	31109	225	34501	236	36422	245
20708	216	22551	213	31110	225	34502	236	36423	245
20709	216	22552	213	31201	225	34503	236	36501	242
20712	216	22553	213	31202	225	34601	240	36511	242
20713	216	22601	212	31203	225	34602	240	36521	245
20714	216	22602	212	31204	225	34603	240	36522	245
20801	214	22603	212	31205	225	34699	240	36523	245
20802	214	22651	212	31206	225	34701	239	36601	243
20803	214	22652	212	31301	227	34702	239	36611	243
20901	214	22653	212	31302	227	34703	239	36621	244
20902	214	22701	213	31303	227	34751	239	36622	244
20903	214	22702	213	31311	227	34752	239	36623	244
21001	215	22703	213	31312	227	34753	239	36701	243
21002	215	22751	213	31313	227	34801	239	36711	243
21003	215	22752	213	31401	227	34802	239	36721	244
21101	215	22753	213	31402	227	34803	239	36722	244
21102	215	22801	105	31403	227	34851	239	36723	244
21103	215	22802	105	31409	227	34852	239	36801	250
21301	216	22803	105	31410	227	34853	239	36801SS	250
21302	216	22804	105	31411	227	34901	238	36802	250
21303	216	22805	105	31412	227	34902	238	36802SS	250
21501	217	22806	105	31413	227	34903	238	36803	250
21501Y	217	30101	221	31414	227	35001	238	36803SS	250
21502	217	30102	221	31419	227	35002	238	36901	250
21503	217	30103	221	31420	227	35003	238	36901SS	250
21503Y	217	30104	221	31421	227	35101	238	36902	250
21504	217	30105	221	31501	228	35102	238	36902SS	250

36903	250	39701	254	41539	274	41624	275	41902	273
36903SS	250	39702	254	41540	274	41625	275	41903	273
37001	251	39703	254	41541	274	41626	275	41904	273
37002	251	39860	226	41542	274	41627	275	41905	273
37003	251	39861	226	41543	274	41628	275	41906	273
37101	251	39862	226	41544	274	41629	275	41913	273
37102	251	39870	226	41545	274	41630	275	41914	273
37103	251	39871	226	41546	274	41631	275	41915	273
37201	252	39872	226	41547	274	41632	275	41916	273
37202	252	40101	264	41548	274	41633	275	42001	273
37203	252	40102	264	41549	274	41634	275	42002	273
37301	252	40105	264	41550	274	41635	275	42003	273
37302	252	40201	264	41551	274	41636	275	42004	273
37401	255	40202	264	41552	274	41637	275	42005	273
37402	255	40203	264	41553	274	41638	275	42006	273
37501	255	40204	264	41554	274	41639	275	42015	273
37502	255	40205	264	41555	274	41640	275	42016	273
37601	259	40206	264	41556	274	41641	275	42101	278
37602	259	40301	265	41557	274	41642	275	42102	278
37603	259	40302	265	41558	274	41643	275	42103	278
37611	259	40303	265	41559	274	41644	275	42104	278
37612	259	40304	265	41560	274	41645	275	42105	278
37613	259	40305	265	41561	274	41646	275	42106	278
37621	259	40306	265	41562	274	41647	275	42201	278
37622	259	40401	265	41563	274	41648	275	42301	278
37623	259	40402	265	41564	274	41649	275	42401	278
37701	256	40405	265	41565	274	41650	275	42501	270
37702	256	40701	266	41566	274	41651	275	42601	269
37703	256	40702	266	41567	274	41652	275	42701	270
37801	256	40801	266	41568	274	41653	275	42702	270
37802	256	40901	267	41569	274	41654	275	42801	276
37803	256	41001	268	41570	274	41655	275	42802	276
37901	257	41002	268	41571	274	41656	275	42803	276
37902	257	41101	268	41572	274	41657	275	42804	276
37903	257	41102	268	41573	274	41658	275	42805	276
38001	257	41301	271	41574	274	41659	275	42806	276
38002	257	41302	271	41575	274	41660	275	42807	276
38003	257	41303	271	41576	274	41661	275	42808	276
38101	258	41401	272	41577	274	41662	275	42901	276
38102	258	41402	272	41578	274	41663	275	42902	276
38103	258	41501	274	41579	274	41664	275	43001	276
38104	258	41502	274	41580	274	41665	275	43002	276
38201	258	41503	274	41581	274	41666	275	50101	54
38202	258	41504	274	41582	274	41667	275	50102	54
38203	258	41505	274	41583	274	41668	275	50103	54
38301	253	41506	274	41584	274	41669	275	50104	54
38302	253	41507	274	41585	274	41670	275	50150	54
38401	253	41508	274	41586	274	41671	275	50151	54
38402	253	41509	274	41587	274	41672	275	50152	54
38501	254	41510	274	41588	274	41673	275	50153	54
38601	254	41511	274	41589	274	41674	275	50154	54
38602	254	41512	274	41590	274	41675	275	50201	54
38701	261	41513	274	41591	274	41676	275	50202	54
38702	261	41514	274	41592	274	41677	275	50203	54
38703	261	41515	274	41593	274	41678	275	50204	54
38704	261	41516	274	41601	275	41679	275	50250	54
38705	261	41517	274	41602	275	41680	275	50251	54
38706	261	41518	274	41603	275	41681	275	50252	54
38707	261	41519	274	41604	275	41682	275	50253	54
38708	261	41520	274	41605	275	41683	275	50254	54
38709	261	41521	274	41606	275	41684	275	50301	54
38801	261	41522	274	41607	275	41685	275	50301G	67
38901	138	41523	274	41608	275	41686	275	50302	54
38902	138	41524	274	41609	275	41687	275	50302G	67
39001	233	41525	274	41610	275	41688	275	50303	54
39101	260	41526	274	41611	275	41689	275	50303G	67
39102	260	41527	274	41612	275	41690	275	50304	54
39103	260	41528	274	41613	275	41701	271	50304G	67
39104	260	41529	274	41614	275	41702	271	50350	54
39201	234	41530	274	41615	275	41801	277	50351	54
39202	234	41531	274	41616	275	41802	277	50352	54
39203	234	41532	274	41617	275	41803	277	50353	54
39302	234	41533	274	41618	275	41804	277	50354	54
39401	235	41534	274	41619	275	41805	277	50401	54
39402	235	41535	274	41620	275	41806	277	50401G	67
39501	246	41536	274	41621	275	41807	277	50402	54
39601	249	41537	274	41622	275	41808	277	50402G	67
39602	249	41538	274	41623	275	41901	273	50403	54

50403G	67	51252	56	52102	58	52654	58	5331	belt series	104	
50404	54	51253	56	52103	58	52701	58	53350		59	
50404G	67	51254	56	52104	58	52702	58	53351		59	
50450	54	51301	56	52150	58	52703	58	53352		59	
50451	54	51302	56	52151	58	52704	58	53353		59	
50452	54	51303	56	52152	58	52750	58	53354		59	
50453	54	51304	56	52153	58	52751	58	53401		59	
50454	54	51350	56	52154	58	52752	58	53402		59	
50501	54	51351	56	52201	58	52753	58	53403		59	
50501G	67	51352	56	52202	58	52754	58	53404		59	
50502	54	51353	56	52203	58	52801	59	5341	belt series	132	
50502G	67	51354	56	52204	58	52802	59	53450		59	
50503	54	51401	56	5221	belt series	122	52803	59	53451	59	
50503G	67	51402	56	5222	belt series	124	52804	59	53452	59	
50504	54	51403	56	5223	belt series	125	52850	59	53453	59	
50504G	67	51404	56	5225	belt series	126	52851	59	53454	59	
50550	54	51450	56	52250	58	52852	59	5346	belt series	133	
50551	54	51451	56	52251	58	52853	59	53501		60	
50552	54	51452	56	52252	58	52854	59	53502		60	
50553	54	51453	56	52253	58	52901	59	53503		60	
50554	54	51454	56	52254	58	52902	59	53504		60	
50601	54	51501	56	5226	belt series	123	52903	59	53550	60	
50602	54	51502	56	52301	58	52904	59	53551		60	
50603	54	51503	56	52301G	68	52950	59	53552		60	
50604	54	51504	56	52302	58	52951	59	53553		60	
50650	54	51550	56	52302G	68	52952	59	53554		60	
50651	54	51551	56	52303	58	52953	59	53601		60	
50652	54	51552	56	52303G	68	52954	59	53602		60	
50653	54	51553	56	52304	58	53001	59	53603		60	
50654	54	51554	56	52304G	68	53001G	67	53604		60	
50701	54	51601	56	5231	belt series	127	53002	59	53650	60	
50702	54	51602	56	5233	belt series	129	53002G	67	53651	60	
50703	54	51603	56	5234	belt series	131	53003	59	53652	60	
50704	54	51604	56	5235	belt series	130	53003G	67	53653	60	
50750	54	51650	56	52350	58	53004	59	53654		60	
50751	54	51651	56	52351	58	53004G	67	53701		60	
50752	54	51652	56	52352	58	5301	belt series	112	53701G	68	
50753	54	51653	56	52353	58	53050	59	53702		60	
50754	54	51654	56	52354	58	53051	59	53702G		68	
50801	55	51701	56	5236	belt series	128	53052	59	53703	60	
50802	55	51702	56	52401	58	53053	59	53703G		68	
50803	55	51703	56	52401G	68	53054	59	53704		60	
50804	55	51704	56	52402	58	53101	59	53704G		68	
50851	55	51750	56	52402G	68	53101G	67	53750		60	
50852	55	51751	56	52403	58	53102	59	53751		60	
50853	55	51752	56	52403G	68	53102G	67	53752		60	
50854	55	51753	56	52404	58	53103	59	53753		60	
50901	55	51754	56	52404G	68	53103G	67	53754		60	
50902	55	51801	57	52450	58	53104	59	53801		60	
50903	55	51802	57	52451	58	53104G	67	53801G		68	
50904	55	51803	57	52452	58	5311	belt series	111	53802	60	
50951	55	51804	57	52453	58	53150	59	53802G		68	
50952	55	51851	57	52454	58	53151	59	53803		60	
50953	55	51852	57	52501	58	53152	59	53803G		68	
50954	55	51853	57	52501G	68	53153	59	53804		60	
51001	55	51854	57	52502	58	53154	59	53804G		68	
51002	55	51901	57	52502G	68	53201	59	53850		60	
51003	55	51902	57	52503	58	53201G	67	53851		60	
51004	55	51903	57	52503G	68	53202	59	53852		60	
51051	55	51904	57	52504	58	53202G	67	53853		60	
51052	55	51951	57	52504G	68	53203	59	53854		60	
51053	55	51952	57	5251	belt series	113	53203G	67	53901	60	
51054	55	51953	57	5253	belt series	115	53204	59	53901G	68	
51101	56	51954	57	5255	belt series	116	53204G	67	53902	60	
51102	56	52001	57	52550	58	5321	belt series	117	53902G	68	
51103	56	52002	57	52551	58	5323	belt series	119	53903	60	
51104	56	52003	57	52552	58	5324	belt series	121	53903G	68	
51150	56	52004	57	52553	58	5325	belt series	120	53904	60	
51151	56	5201	belt series	106	52554	58	53250	59	53904G	68	
51152	56	5202	belt series	108	5256	belt series	114	53251	59	53950	60
51153	56	5203	belt series	109	52601	58	53252	59	53951	60	
51154	56	5204	belt series	110	52602	58	53253	59	53952	60	
51201	56	52051	57	52603	58	53254	59	53953		60	
51202	56	52052	57	52604	58	5326	belt series	118	53954	60	
51203	56	52053	57	52650	58	53301	59	54001		60	
51204	56	52054	57	52651	58	53302	59	54002		60	
51250	56	5206	belt series	107	52652	58	53303	59	54003	60	
51251	56	52101	58	52653	58	53304	59	54004		60	

54050	60	54902	63	55803	66	60300	72	61901	74
54051	60	54903	63	55804	66	60301	72	61902	74
54052	60	54904	63	55850	66	60302	72	61903	74
54053	60	54951	63	55851	66	60303	72	61904	74
54054	60	54952	63	55852	66	60304	72	62000	74
54101	60	54953	63	55853	66	60400	72	62001	74
54102	60	54954	63	55854	66	60401	72	62002	74
54103	60	55001	63	55901	66	60402	72	62003	74
54104	60	55002	63	55902	66	60403	72	62004	74
54150	60	55003	63	55903	66	60404	72	62100	74
54151	60	55004	63	55904	66	60500	72	62101	74
54152	60	55051	63	55950	66	60501	72	62102	74
54153	60	55052	63	55951	66	60502	72	62103	74
54154	60	55053	63	55952	66	60503	72	62104	74
54201	61	55054	63	55953	66	60504	72	62200	74
54202	61	55101	64	55954	66	60600	72	62201	74
54203	61	55102	64	56001	66	60601	72	62202	74
54204	61	55103	64	56002	66	60602	72	62203	74
5421 belt series	136	55104	64	56003	66	60603	72	62204	74
54251	61	55150	64	56004	66	60604	72	62300	74
54252	61	55151	64	56050	66	60700	72	62301	74
54253	61	55152	64	56051	66	60701	72	62302	74
54254	61	55153	64	56052	66	60702	72	62303	74
54301	61	55154	64	56053	66	60703	72	62304	74
54302	61	55201	64	56054	66	60704	72	62400	74
54303	61	55202	64	56101	66	60801	72	62401	74
54304	61	55203	64	56102	66	60802	72	62402	74
5431 belt series	134	55204	64	56103	66	60803	72	62403	74
5433 belt series	135	55250	64	56104	66	60804	72	62404	74
54351	61	55251	64	56150	66	60901	72	62500	73
54352	61	55252	64	56151	66	60902	72	62501	73
54353	61	55253	64	56152	66	60903	72	62502	73
54354	61	55254	64	56153	66	60904	72	62503	73
54401	61	55301	64	56154	66	61001	72	62504	73
54402	61	55302	64	56201	66	61002	72	62600	73
54403	61	55303	64	56202	66	61003	72	62601	73
54404	61	55304	64	56203	66	61004	72	62602	73
54451	61	55350	64	56204	66	61100	73	62603	73
54452	61	55351	64	56250	66	61101	73	62604	73
54453	61	55352	64	56251	66	61102	73	62700	73
54454	61	55353	64	56252	66	61103	73	62701	73
54501	62	55354	64	56253	66	61104	73	62702	73
54502	62	55401	64	56254	66	61200	73	62703	73
54503	62	55402	64	56301	66	61201	73	62704	73
54504	62	55403	64	56302	66	61202	73	62800	73
54550	62	55404	64	56303	66	61203	73	62801	73
54551	62	55450	64	56304	66	61204	73	62802	73
54552	62	55451	64	56350	66	61300	73	62803	73
54553	62	55452	64	56351	66	61301	73	62804	73
54554	62	55453	64	56352	66	61302	73	62900	74
54601	62	55454	64	56353	66	61303	73	62901	74
54602	62	55501	65	56354	66	61304	73	62902	74
54603	62	55502	65	56401	66	61400	73	62903	74
54604	62	55503	65	56402	66	61401	73	62904	74
54650	62	55504	65	56403	66	61402	73	63000	74
54651	62	55551	65	56404	66	61403	73	63001	74
54652	62	55552	65	56450	66	61404	73	63002	74
54653	62	55553	65	56451	66	61500	73	63003	74
54654	62	55554	65	56452	66	61501	73	63004	74
54701	62	55601	65	56453	66	61502	73	63100	74
54702	62	55602	65	56454	66	61503	73	63101	74
54703	62	55603	65	56550	69	61504	73	63102	74
54704	62	55604	65	56650	69	61600	73	63103	74
54750	62	55651	65	56750	69	61601	73	63104	74
54751	62	55652	65	56850	69	61602	73	63200	74
54752	62	55653	65	57050E	69	61603	73	63201	74
54753	62	55654	65	57150E	69	61604	73	63202	74
54754	62	55701	66	57250E	69	61700	73	63203	74
54801	62	55702	66	60100	72	61701	73	63204	74
54802	62	55703	66	60101	72	61702	73	63300	74
54803	62	55704	66	60102	72	61703	73	63301	74
54804	62	55750	66	60103	72	61704	73	63302	74
54850	62	55751	66	60104	72	61800	74	63303	74
54851	62	55752	66	60200	72	61801	74	63304	74
54852	62	55753	66	60201	72	61802	74	63400	74
54853	62	55754	66	60202	72	61803	74	63401	74
54854	62	55801	66	60203	72	61804	74	63402	74
54901	63	55802	66	60204	72	61900	74	63403	74

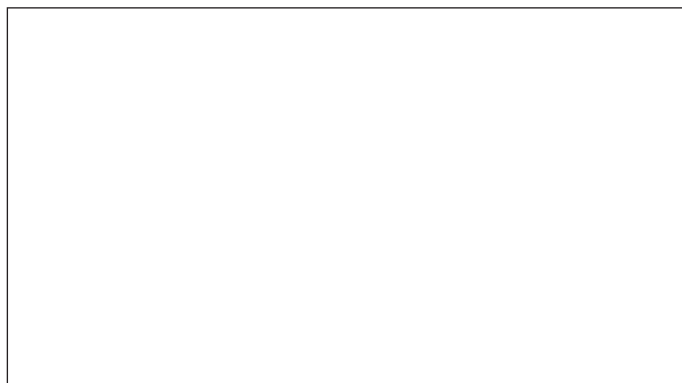
63404	74	70111330	79	70111564	78	70511650	99	71111344	80
63500	74	70111330RS	79	70111564RS	78	70511650RS	99	71111344RS	80
63501	74	70111334	78	70111570	79	70511660	99	71111354	80
63502	74	70111334RS	78	70111570RS	79	70511660RS	99	71111354RS	80
63503	74	70111340	79	70111574	78	70511670	99	71111364	80
63504	74	70111340RS	79	70111574RS	78	70511670RS	99	71111364RS	80
70111110	79	70111344	78	70111580	79	70511680	99	71111374	80
70111110RS	79	70111344RS	78	70111580RS	79	70511680RS	99	71111374RS	80
70111114	78	70111350	79	70111584	78	70611610	100	71111384	80
70111114RS	78	70111350RS	79	70111584RS	78	70611610RS	100	71111384RS	80
70111120	79	70111354	78	70111610	79	70611620	100	71111414	80
70111120RS	79	70111354RS	78	70111610RS	79	70611620RS	100	71111414RS	80
70111124	78	70111360	79	70111614	78	70611630	100	71111424	80
70111124RS	78	70111360RS	79	70111614RS	78	70611630RS	100	71111424RS	80
70111130	79	70111364	78	70111620	79	70611640	100	71111434	80
70111130RS	79	70111364RS	78	70111620RS	79	70611640RS	100	71111434RS	80
70111134	78	70111370	79	70111624	78	70611650	100	71111444	80
70111134RS	78	70111370RS	79	70111624RS	78	70611650RS	100	71111444RS	80
70111140	79	70111374	78	70111630	79	70611660	100	71111454	80
70111140RS	79	70111374RS	78	70111630RS	79	70611660RS	100	71111454RS	80
70111144	78	70111380	79	70111634	78	70611670	100	71111464	80
70111144RS	78	70111380RS	79	70111634RS	78	70611670RS	100	71111464RS	80
70111150	79	70111384	78	70111640	79	70611680	100	71111474	80
70111150RS	79	70111384RS	78	70111640RS	79	70611680RS	100	71111474RS	80
70111154	78	70111410	79	70111644	78	70716610	89	71111484	80
70111154RS	78	70111410RS	79	70111644RS	78	70716610RS	89	71111484RS	80
70111160	79	70111414	78	70111650	79	70718610	89	71111514	80
70111160RS	79	70111414RS	78	70111650RS	79	70718610RS	89	71111514RS	80
70111164	78	70111420	79	70111654	78	70719610	89	71111524	80
70111164RS	78	70111420RS	79	70111654RS	78	70719610RS	89	71111524RS	80
70111170	79	70111424	78	70111660	79	70818610	92	71111534	80
70111170RS	79	70111424RS	78	70111660RS	79	70818610RS	92	71111534RS	80
70111174	78	70111430	79	70111664	78	70818620	92	71111544	80
70111174RS	78	70111430RS	79	70111664RS	78	70818620RS	92	71111544RS	80
70111180	79	70111434	78	70111670	79	70818630	92	71111554	80
70111180RS	79	70111434RS	78	70111670RS	79	70818630RS	92	71111554RS	80
70111184	78	70111440	79	70111674	78	70918610	94	71111564	80
70111184RS	78	70111440RS	79	70111674RS	78	70918610RS	94	71111564RS	80
70111210	79	70111444	78	70111680	79	71018610	95	71111574	80
70111210RS	79	70111444RS	78	70111680RS	79	71018610RS	95	71111574RS	80
70111214	78	70111450	79	70111684	78	71111114	80	71111584	80
70111214RS	78	70111450RS	79	70111684RS	78	71111114RS	80	71111584RS	80
70111220	79	70111454	78	70216614	82	71111124	80	71111614	80
70111220RS	79	70111454RS	78	70216614RS	82	71111124RS	80	71111614RS	80
70111224	78	70111460	79	70216624	82	71111134	80	71111624	80
70111224RS	78	70111460RS	79	70216624RS	82	71111134RS	80	71111624RS	80
70111230	79	70111464	78	70216634	82	71111144	80	71111634	80
70111230RS	79	70111464RS	78	70216634RS	82	71111144RS	80	71111634RS	80
70111234	78	70111470	79	70216644	82	71111154	80	71111644	80
70111234RS	78	70111470RS	79	70216644RS	82	71111154RS	80	71111644RS	80
70111240	79	70111474	78	70216654	82	71111164	80	71111654	80
70111240RS	79	70111474RS	78	70216654RS	82	71111164RS	80	71111654RS	80
70111244	78	70111480	79	70216664	82	71111174	80	71111664	80
70111244RS	78	70111480RS	79	70216664RS	82	71111174RS	80	71111664RS	80
70111250	79	70111484	78	70216674	82	71111184	80	71111674	80
70111250RS	79	70111484RS	78	70216674RS	82	71111184RS	80	71111674RS	80
70111254	78	70111510	79	70216684	82	71111214	80	71111684	80
70111254RS	78	70111510RS	79	70216684RS	82	71111214RS	80	71111684RS	80
70111260	79	70111514	78	70318615	85	71111224	80	71211114	81
70111260RS	79	70111514RS	78	70318615RS	85	71111224RS	80	71211114RS	81
70111264	78	70111520	79	70413615	87	71111234	80	71211124	81
70111264RS	78	70111520RS	79	70413615RS	87	71111234RS	80	71211124RS	81
70111270	79	70111524	78	70413625	87	71111244	80	71211134	81
70111270RS	79	70111524RS	78	70413625RS	87	71111244RS	80	71211134RS	81
70111274	78	70111530	79	70413635	87	71111254	80	71211144	81
70111274RS	78	70111530RS	79	70413635RS	87	71111254RS	80	71211144RS	81
70111280	79	70111534	78	70413645	87	71111264	80	71211154	81
70111280RS	79	70111534RS	78	70413645RS	87	71111264RS	80	71211154RS	81
70111284	78	70111540	79	70413655	87	71111274	80	71211164	81
70111284RS	78	70111540RS	79	70413655RS	87	71111274RS	80	71211164RS	81
70111310	79	70111544	78	70511610	99	71111284	80	71211174	81
70111310RS	79	70111544RS	78	70511610RS	99	71111284RS	80	71211174RS	81
70111314	78	70111550	79	70511620	99	71111314	80	71211184	81
70111314RS	78	70111550RS	79	70511620RS	99	71111314RS	80	71211184RS	81
70111320	79	70111554	78	70511630	99	71111324	80	71211214	81
70111320RS	79	70111554RS	78	70511630RS	99	71111324RS	80	71211214RS	81
70111324	78	70111560	79	70511640	99	71111334	80	71211224	81
70111324RS	78	70111560RS	79	70511640RS	99	71111334RS	80	71211224RS	81

71211234	81	71316624	83	72323612	102	80312	284	80613	284
71211234RS	81	71316624RS	83	72323622	102	80312L	284	80614	284
71211244	81	71316634	83	72323632	102	80312SS	284	80621	284
71211244RS	81	71316634RS	83	72323642	102	80313	284	80622	284
71211254	81	71316644	83	72423612	102	80313L	284	80632	284
71211254RS	81	71316644RS	83	72423622	102	80313SS	284	80701	287
71211264	81	71316654	83	72423632	102	80314	284	80701SS	287
71211264RS	81	71316654RS	83	72423642	102	80314L	284	80702	287
71211274	81	71316664	83	72523612	102	80314SS	284	80702SS	287
71211274RS	81	71316664RS	83	72523622	102	80321	284	80703	287
71211284	81	71316674	83	72523632	102	80321L	284	80703SS	287
71211284RS	81	71316674RS	83	72523642	102	80321SS	284	80704	287
71211314	81	71316684	83	78118610	96	80322	284	80704SS	287
71211314RS	81	71316684RS	83	78118610RS	96	80322L	284	80713	287
71211324	81	71416614	84	78218610	97	80322SS	284	80713SS	287
71211324RS	81	71416614RS	84	78218610RS	97	80332	284	80714	287
71211334	81	71416624	84	78318610	98	80332L	284	80714SS	287
71211334RS	81	71416624RS	84	78318610RS	98	80332SS	284	80801	287
71211344	81	71416634	84	80100	281	80400	284	80802	287
71211344RS	81	71416634RS	84	80100SS	281	80400L	284	80803	287
71211354	81	71416644	84	80101	281	80400SS	284	80804	287
71211354RS	81	71416644RS	84	80101SS	281	80401	284	80813	287
71211364	81	71416654	84	80102	281	80401L	284	80814	287
71211364RS	81	71416654RS	84	80102SS	281	80401SS	284	80901	290
71211374	81	71416664	84	80103	281	80402	284	80901L	290
71211374RS	81	71416664RS	84	80103SS	281	80402L	284	80901SS	290
71211384	81	71416674	84	80104	281	80402SS	284	80902	290
71211384RS	81	71416674RS	84	80104SS	281	80403	284	80902L	290
71211414	81	71416684	84	80110	281	80403L	284	80902SS	290
71211414RS	81	71416684RS	84	80110SS	281	80403SS	284	80903	290
71211424	81	71511615	86	80111	281	80404	284	80903L	290
71211424RS	81	71511615RS	86	80111SS	281	80404L	284	80903SS	290
71211434	81	71511625	86	80112	281	80404SS	284	80904	290
71211434RS	81	71511625RS	86	80112SS	281	80410	284	80904L	290
71211444	81	71511635	86	80113	281	80410L	284	80904SS	290
71211444RS	81	71511635RS	86	80113SS	281	80410SS	284	80913	290
71211454	81	71511645	86	80114	281	80411	284	80913L	290
71211454RS	81	71511645RS	86	80114SS	281	80411L	284	80913SS	290
71211464	81	71511655	86	80121	281	80411SS	284	80914	290
71211464RS	81	71511655RS	86	80121SS	281	80412	284	80914L	290
71211474	81	71613615	88	80122	281	80412L	284	80914SS	290
71211474RS	81	71613615RS	88	80122SS	281	80412SS	284	81001	290
71211484	81	71713614	90	80132	281	80413	284	81001L	290
71211484RS	81	71713614RS	90	80132SS	281	80413L	284	81001SS	290
71211514	81	71713624	90	80200	281	80413SS	284	81002	290
71211514RS	81	71713624RS	90	80201	281	80414	284	81002L	290
71211524	81	71713634	90	80202	281	80414L	284	81002SS	290
71211524RS	81	71713634RS	90	80203	281	80414SS	284	81003	290
71211534	81	71713644	90	80204	281	80421	284	81003L	290
71211534RS	81	71713644RS	90	80210	281	80421L	284	81003SS	290
71211544	81	71816614	91	80211	281	80421SS	284	81004	290
71211544RS	81	71816614RS	91	80212	281	80422	284	81004L	290
71211554	81	71816624	91	80213	281	80422L	284	81004SS	290
71211554RS	81	71816624RS	91	80214	281	80422SS	284	81013	290
71211564	81	71816634	91	80221	281	80432	284	81013L	290
71211564RS	81	71816634RS	91	80222	281	80432L	284	81013SS	290
71211574	81	71919614	93	80232	281	80432SS	284	81014	290
71211574RS	81	71919614RS	93	80300	284	80500	284	81014L	290
71211584	81	71919624	93	80300L	284	80501	284	81014SS	290
71211584RS	81	71919624RS	93	80300SS	284	80502	284	81101	290
71211614	81	71919634	93	80301	284	80503	284	81102	290
71211614RS	81	71919634RS	93	80301L	284	80504	284	81103	290
71211624	81	72021612	101	80301SS	284	80510	284	81104	290
71211624RS	81	72021622	101	80302	284	80511	284	81113	290
71211634	81	72021632	101	80302L	284	80512	284	81114	290
71211634RS	81	72021642	101	80302SS	284	80513	284	81201	290
71211644	81	72021652	101	80303	284	80514	284	81202	290
71211644RS	81	72021662	101	80303L	284	80521	284	81203	290
71211654	81	72123612	101	80303SS	284	80522	284	81204	290
71211654RS	81	72123622	101	80304	284	80532	284	81213	290
71211664	81	72123632	101	80304L	284	80600	284	81214	290
71211664RS	81	72123642	101	80304SS	284	80601	284	81300	301
71211674	81	72123652	101	80310	284	80602	284	81301	301
71211674RS	81	72123662	101	80310L	284	80603	284	81302	301
71211684	81	72223612	101	80310SS	284	80604	284	81303	301
71211684RS	81	72223622	101	80311	284	80610	284	81304	301
71316614	83	72223632	101	80311L	284	80611	284	81400	301
71316614RS	83	72223642	101	80311SS	284	80612	284	81401	301



81402	301	82513	285	83402SS	293	90303	307	91201H	311
81403	301	82513L	285	83500	293	90303H	307	91201Z	311
81404	301	82513SS	285	83501	293	90303Z	307	91201ZH	311
81500	301	82604	285	83502	293	90303ZH	307	91202	311
81501	301	82604H	297	83600	295	90401	307	91202H	311
81502	301	82610	285	83600L	295	90401Z	307	91202Z	311
81503	301	82611	285	83600SS	295	90402	307	91202ZH	311
81504	301	82612	285	83601	295	90402Z	307	91203	311
81600	301	82612H	297	83601L	295	90403	307	91203H	311
81601	301	82613	285	83601SS	295	90403Z	307	91203Z	311
81602	301	82704	285	83602	295	90501	307	91203ZH	311
81603	301	82704H	297	83602L	295	90501Z	307	91301	311
81604	301	82710	285	83602SS	295	90502	307	91301H	311
81700	303	82711	285	83700	295	90502Z	307	91301Z	311
81701	303	82712	285	83700L	295	90503	307	91301ZH	311
81702	303	82712H	297	83700SS	295	90503Z	307	91302	311
81703	303	82713	285	83701	295	90601	307	91302H	311
81704	303	82801	288	83701L	295	90601H	307	91302Z	311
81900	303	82801SS	288	83701SS	295	90601Z	307	91302ZH	311
81901	303	82802	288	83702	295	90601ZH	307	91303	311
81902	303	82802SS	288	83702L	295	90602	307	91303H	311
81903	303	82804	288	83702SS	295	90602H	307	91303Z	311
81904	303	82804SS	288	83800	295	90602Z	307	91303ZH	311
82100	303	82813	288	83801	295	90602ZH	307	91401	311
82101	303	82813SS	288	83802	295	90603	307	91401H	311
82102	303	82901	288	83900	295	90603H	307	91401Z	311
82103	303	82902	288	83901	295	90603Z	307	91401ZH	311
82104	303	82904	288	83902	295	90603ZH	307	91402	311
82204	282	82913	288	84504	299	90701	307	91402H	311
82204SS	282	83001	291	84504L	299	90701Z	307	91402Z	311
82210	282	83001L	291	84504SS	299	90702	307	91402ZH	311
82210SS	282	83001SS	291	84604	299	90702Z	307	91403	311
82211	282	83002	291	84604L	299	90703	307	91403H	311
82211SS	282	83002H	297	84604SS	299	90703Z	307	91403Z	311
82212	282	83002L	291	84704	299	90801	307	91403ZH	311
82212SS	282	83002LH	297	84804	299	90801H	307	91501	311
82213	282	83002SS	291	84904	299	90801Z	307	91501Z	311
82213SS	282	83004	291	84904L	299	90801ZH	307	91502	311
82304	282	83004H	297	84904SS	299	90802	307	91502Z	311
82310	282	83004L	291	85004	299	90802H	307	91503	311
82311	282	83004LH	297	85004L	299	90802Z	307	91503Z	311
82312	282	83004SS	291	85004SS	299	90802ZH	307	91601	311
82313	282	83013	291	85104	299	90803	307	91601H	311
82404	285	83013L	291	85204	299	90803H	307	91601Z	311
82404H	297	83013SS	291	89001	281, 282, 287	90803Z	307	91601ZH	311
82404L	285	83101	291		288, 293	90803ZH	307	91602	311
82404LH	297	83101L	291	89002	281, 282, 287	90810PH	309	91602H	311
82404SS	285	83101SS	291		288, 293	90901	307	91602Z	311
82410	285	83102	291	89002		90901H	307	91602ZH	311
82410L	285	83102H	297	89003	282	90901Z	307	91603	311
82410SS	285	83102L	291	89003	281, 282, 287, 288	90901ZH	307	91603H	311
82411	285	83102LH	297	89004	281, 282	90902	307	91603Z	311
82411L	285	83102SS	291	89005	281	90902H	307	91603ZH	311
82411SS	285	83104	291	89801	301	90902Z	307	91701	311
82412	285	83104H	297	89802	301	90902ZH	307	91701H	311
82412H	297	83104L	291	89803	301	90903	307	91701Z	311
82412L	285	83104LH	297	89804	301	90903H	307	91701ZH	311
82412LH	297	83104SS	291	89805	301	90903Z	307	91702	311
82412SS	285	83113	291	90101	307	90903ZH	307	91702H	311
82413	285	83113L	291	90101Z	307	91001	311	91702Z	311
82413L	285	83113SS	291	90102	307	91001Z	311	91702ZH	311
82413SS	285	83201	291	90102Z	307	91002	311	91703	311
82504	285	83202	291	90103	307	91002Z	311	91703H	311
82504H	297	83202H	297	90103Z	307	91003	311	91703Z	311
82504L	285	83204	291	90201	307	91003Z	311	91703ZH	311
82504LH	297	83204H	297	90201Z	307	91101	311	91801	311
82504SS	285	83213	291	90202	307	91101H	311	91801Z	311
82510	285	83301	291	90202Z	307	91101Z	311	91802	311
82510L	285	83302	291	90203	307	91101ZH	311	91802Z	311
82510SS	285	83302H	297	90203Z	307	91102	311	91803	311
82511	285	83304	291	90301	307	91102H	311	91803Z	311
82511L	285	83304H	297	90301H	307	91102Z	311	91901	319
82511SS	285	83313	291	90301Z	307	91102ZH	311	91902	319
82512	285	83400	293	90301ZH	307	91103	311	91903	319
82512H	297	83400SS	293	90302	307	91103H	311	92001	319
82512L	285	83401	293	90302H	307	91103Z	311	92002	319
82512LH	297	83401SS	293	90302Z	307	91103ZH	311	92003	319
82512SS	285	83402	293	90302ZH	307	91201	311	92101	319

92102	319	94401H	313	95053ZH	315	95802H	317	97602	320
92103	319	94401ZH	313	95101H	315	95802ZH	317	97603	320
92201	319	94402H	313	95101ZH	315	95803H	317	97702	320
92202	319	94402ZH	313	95102H	315	95803ZH	317	97703	320
92203	319	94403H	313	95102ZH	315	95851H	317	97704	320
92301	319	94403ZH	313	95103H	315	95851ZH	317	97801	321
92302	319	94451H	313	95103ZH	315	95852H	317	97802	321
92303	319	94451ZH	313	95151H	315	95852ZH	317	97803	321
92401	319	94452H	313	95151ZH	315	95853H	317	97902	321
92402	319	94452ZH	313	95152H	315	95853ZH	317	97903	321
92403	319	94453H	313	95152ZH	315	95901H	317	97904	321
92501	320	94453ZH	313	95153H	315	95901ZH	317	98003	321
92502	320	94501H	313	95153ZH	315	95902H	317	98004	321
92503	320	94501ZH	313	95201H	315	95902ZH	317	98005	321
92601	320	94502H	313	95201ZH	315	95903H	317	98102H	317
92602	320	94502ZH	313	95202H	315	95903ZH	317	98102ZH	317
92603	320	94503H	313	95202ZH	315	95951H	317	98103H	317
92701	320	94503ZH	313	95203H	315	95951ZH	317	98103ZH	317
92702	320	94551H	313	95203ZH	315	95952H	317	98152H	317
92703	320	94551ZH	313	95251H	315	95952ZH	317	98152ZH	317
92801	320	94552H	313	95251ZH	315	95953H	317	98153H	317
92802	320	94552ZH	313	95252H	315	95953ZH	317	98153ZH	317
92803	320	94553H	313	95252ZH	315	96001H	325	98202H	317
92901	320	94553ZH	313	95253H	315	96001ZH	325	98202ZH	317
92902	320	94601H	313	95253ZH	315	96002H	325	98203H	317
92903	320	94601ZH	313	95301	309	96002ZH	325	98203ZH	317
93001	320	94602H	313	95301Z	309	96101H	325	98252H	317
93002	320	94602ZH	313	95302	309	96101ZH	325	98252ZH	317
93003	320	94603H	313	95302Z	309	96102H	325	98253H	317
93102	317	94603ZH	313	95303	309	96102ZH	325	98253ZH	317
93102Z	317	94651H	313	95303Z	309	96201H	325	98302H	317
93103	317	94651ZH	313	95401	309	96201ZH	325	98302ZH	317
93103Z	317	94652H	313	95401H	309	96202H	325	98303H	317
93152	317	94652ZH	313	95401Z	309	96202ZH	325	98303ZH	317
93152Z	317	94653H	313	95401ZH	309	96301H	325	98352H	317
93153	317	94653ZH	313	95402	309	96301ZH	325	98352ZH	317
93153Z	317	94701H	313	95402H	309	96302H	325	98353H	317
93202	317	94701ZH	313	95402Z	309	96302ZH	325	98353ZH	317
93202Z	317	94702H	313	95402ZH	309	96401H	325	99601	306
93203	317	94702ZH	313	95403	309	96401ZH	325	99602	306
93203Z	317	94703H	313	95403H	309	96402H	325	99603	306
93252	317	94703ZH	313	95403Z	309	96402ZH	325	99604	308, 310
93252Z	317	94751H	313	95403ZH	309	96501H	325	99605	308, 310
93253	317	94751ZH	313	95410PH	309	96501ZH	325	99606	310
93253Z	317	94752H	313	95501	309	96502H	325	99607	312
93302	317	94752ZH	313	95501H	309	96502ZH	325	99608	314, 316
93302Z	317	94753H	313	95501Z	309	96601H	325	99801	306
93303	317	94753ZH	313	95501ZH	309	96601ZH	325	99802	306, 308, 310
93303Z	317	94801H	315	95502	309	96602H	325		318, 323
93352	317	94801ZH	315	95502H	309	96602ZH	325	99804	306, 308, 310, 312, 314, 316, 318, 323, 324
93352Z	317	94802H	315	95502Z	309	96701H	325		
93353	317	94802ZH	315	95502ZH	309	96701ZH	325		
93353Z	317	94803H	315	95503	309	96702H	325	99805	306, 308, 310, 312, 314, 316 318, 323, 324
93401	323	94803ZH	315	95503H	309	96702ZH	325		
93402	323	94851H	315	95503Z	309	96801H	325		
93403	323	94851ZH	315	95503ZH	309	96801ZH	325	99806	310, 312, 314, 316, 318, 323, 324
93501	323	94852H	315	95601	309	96802H	325		
93502	323	94852ZH	315	95601H	309	96802ZH	325	99807	318, 324
93503	323	94853H	315	95601Z	309	96901H	325		
93601	323	94853ZH	315	95601ZH	309	96901ZH	325		
93602	323	94901H	315	95602	309	96902H	325		
93603	323	94901ZH	315	95602H	309	96902ZH	325		
93701	323	94902H	315	95602Z	309	97001H	325		
93702	323	94902ZH	315	95602ZH	309	97001ZH	325		
93703	323	94903H	315	95603	309	97002H	325		
93801	323	94903ZH	315	95603H	309	97002ZH	325		
93802	323	94951H	315	95603Z	309	97101H	325		
93803	323	94951ZH	315	95603ZH	309	97101ZH	325		
93901	323	94952H	315	95701	309	97102H	325		
93902	323	94952ZH	315	95701H	309	97102ZH	325		
93903	323	94953H	315	95701Z	309	97201	319		
94301H	313	94953ZH	315	95701ZH	309	97202	319		
94301ZH	313	95001H	315	95702	309	97203	319		
94302H	313	95001ZH	315	95702H	309	97301	319		
94302ZH	313	95002H	315	95702Z	309	97302	319		
94303H	313	95002ZH	315	95702ZH	309	97303	319		
94303ZH	313	95003H	315	95703	309	97401	319		
94351H	313	95003ZH	315	95703H	309	97402	319		
94351ZH	313	95051H	315	95703Z	309	97403	319		
94352H	313	95051ZH	315	95703ZH	309	97501	320		
94352ZH	313	95052H	315	95710PH	309	97502	320		
94353H	313	95052ZH	315	95801H	317	97503	320		
94353ZH	313	95053H	315	95801ZH	317	97601	320		



**Movex S.p.A.**  
**Headquarter & Molding**  
 Via Tasso (angolo Via Noli Marenzi)  
 24060 Telgate (BG) - Italy  
 Phone +39.035.8359711  
 Fax +39.035.4420873



**Movex S.p.A.**  
**Sales - Warehouse - Assembling**  
 Viale Industria 22  
 24060 Castelli Calepio (BG) - Italy  
 Phone +39.035.8359711  
 Fax +39.035.4420873



**Movex GmbH**  
**Sales & SS Production**  
 Alfred-Nobel-Strasse, 4  
 68519 Viernheim - Germany  
 Phone +49.(0)6204.9375-0  
 Fax +49.(0)6204.9375-55



**Movex UK Ltd.**  
 Unit 7, Dene Valley Business Centre  
 Kineton CV35 0JD  
 Warwickshire - UK  
 Phone +44.1926.642933



www.movexii.com



**Movex USA, Inc.**  
 78 Corporate Way  
 Evington, Virginia 24550 - USA  
 Phone +1.(410).463.1945



**Plastik Belt Manufacturing Ltd - Movex**  
 8 Thompson Crescent  
 Erin, Ontario - NOB 1T0 - Canada  
 Phone +1.519.833.7500  
 Fax +1.519.833.7510  
 Toll Free 1-800-461-5179



**Movex (Shanghai) Co. Ltd.**  
 Room 1009, No.1728, Huang xing  
 Road, Shanghai, China 200433  
 Phone +86-21-65037822  
 Fax +86-21-65032692



**MOVEXII SA de CV**  
 Av. Aviacion 6503 Bodega B5  
 Ciudad Granja - Zapopan, Jalisco  
 45010 Mexico  
 Phone (33) 3110-0808  
 Cel. (33) 1845-8187



**Movex France - Sales Office**  
 Phone +33.06.06.81.99.76  
 Fax +33.09.70.62.50.98



**Movex Nederland - Sales Office**  
 Phone +31.(0) 630.99.48.50