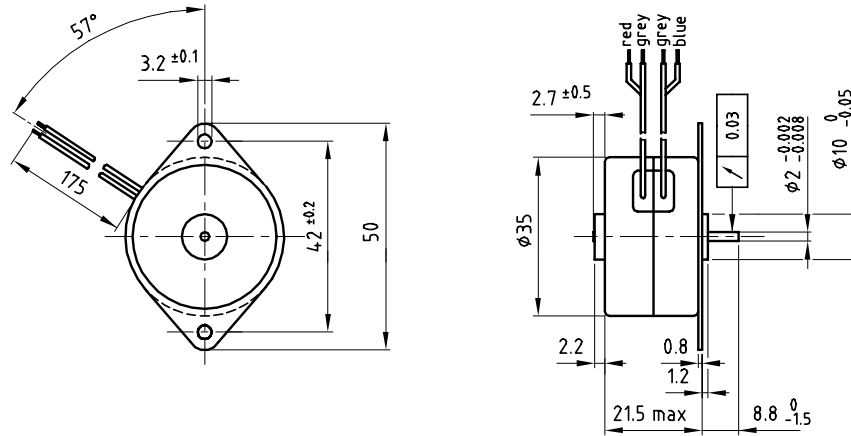


Dimensional drawing

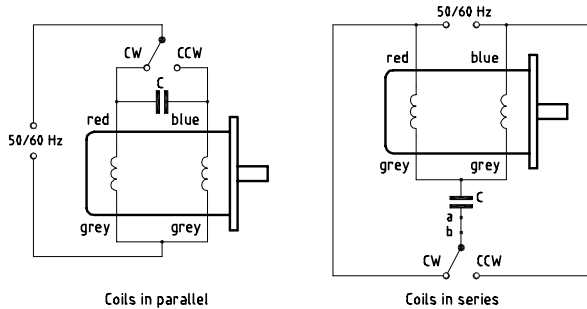


Motor data

Motor order number	9904 111 +	32511	32411	32311	32511	32411	32311
		Coils in parallel			Coils in series		
Nominal Voltage	[V]	24	48	110/117	48	110/117	220
Frequency	[Hz]	50 / 60	50 / 60	50 / 60	50 / 60	50 / 60	50 / 60
Speed	[rpm]	250 / 300	250 / 300	250 / 300	250 / 300	250 / 300	250 / 300
Current	[mA]	35	18	8	35	18	8
Input Power	[W]	0.8	0.8	0.8	1.7	1.7	1.7
Working Torque	[mNm]	4	4	4	7	7	7
Torque derating	[%/K]	-0.4	-0.4	-0.4	-0.4	-0.4	-0.4
Temperature rise of the motor	[°C]	30	30	30	50	50	50
Required phasing capacitor C (MKT-type)	Capacity [uF]	2.2	0.56	0.1	4.7	1*	0.22
	Permissible a.c. voltage [V]	≥63	≥100	≥250	≥63	≥100	≥250

* For 60 Hz operation, resistor 680 Ohm (0.5 W) required between the points a and b, see Electrical Connection

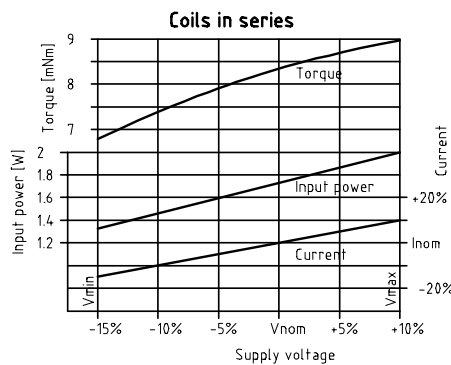
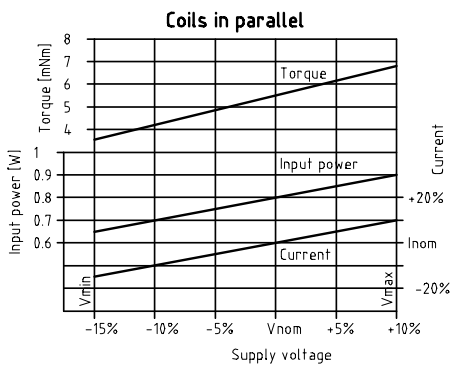
Electrical Connection



General data

x	Permissible voltage fluctuations	-15 to +10	%
x	Type of bearings	sleeve	
x	Maximum radial load	2.5	N
x	Maximum axial load	0.75	N
x	Ambient temp. range operating	-20/+60	°C
x	Ambient temp. range storage	-40/+100	°C
x	Mass of motor	80	g

Performance curve



Product combinations

- x Gearbox S49A
- x Gearbox S52A
- x Gearbox S70A